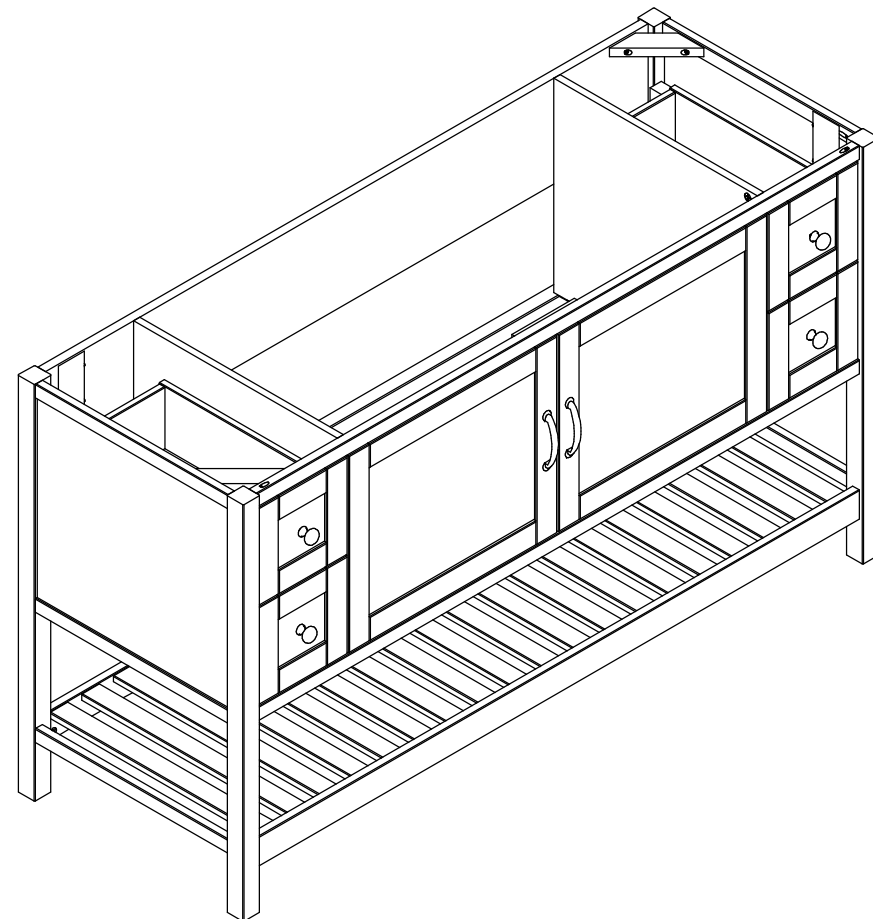


|  |                  |                  |                             |
|--|------------------|------------------|-----------------------------|
| <b>tresirmaos</b>                              |                  | Edição:          | Data alteração:             |
| Código / Produto:<br>218.004_Bennet_60"_Vanity |                  | Material:        | Data criação:<br>11/07/2020 |
| Código / Peça :<br>/ movel montado             |                  | QTDE.            | Desenho:<br>Marcelo         |
| Dimensões em (mm): x x                         | M <sup>2</sup> : | M <sup>3</sup> : | Peso: N/A                   |
|  |                  |                  | Página: 1                   |

| Lista de peças |            |                             |        |            |            |           |               |
|----------------|------------|-----------------------------|--------|------------|------------|-----------|---------------|
| Item           | Código     | Peça                        | Quant. | Comp. (mm) | Larg. (mm) | Esp. (mm) | Material      |
| 1              | 218.004.08 | lateral direita montada     | 1      |            |            |           |               |
| 1.1            | 218.004.10 | pe direito frontal          | 1      | 865,0      | 40,0       | 40,0      | Pinus(Finger) |
| 1.2            | 218.004.09 | pe direito traseiro         | 1      | 865,0      | 40,0       | 40,0      | Pinus(Finger) |
| 1.3            | 218.001.04 | Almofada lateral            | 1      | 477,0      | 427,0      | 6,0       | MDF CRU       |
| 1.4            | 218.001.07 | Travessa inferior lateral   | 1      | 460,0      | 30,0       | 18,0      | Pinus         |
| 1.5            | 218.001.05 | Travessa superior lateral   | 2      | 460,0      | 30,0       | 18,0      | Pinus         |
| 1.8            | 218.004.28 | Travessa corrediça          | 2      | 460,0      | 50,0       | 27,0      | Pinus         |
| 2              | 218.004.18 | travessa frontal superior   | 1      | 1444,0     | 30,0       | 18,0      | Pinus         |
| 3              | 218.004.01 | lateral esquerda montada    | 1      |            |            |           |               |
| 3.1            | 218.004.02 | pe esquerdo frontal         | 1      | 865,0      | 40,0       | 40,0      | Pinus(Finger) |
| 3.2            | 218.004.03 | pe esquerdo traseiro        | 1      | 865,0      | 40,0       | 40,0      | Pinus(Finger) |
| 3.3            | 218.001.04 | Almofada lateral            | 1      | 477,0      | 427,0      | 6,0       | MDF CRU       |
| 3.4            | 218.001.07 | Travessa inferior lateral   | 1      | 460,0      | 30,0       | 18,0      | Pinus         |
| 3.5            | 218.001.05 | Travessa superior lateral   | 2      | 460,0      | 30,0       | 18,0      | Pinus         |
| 3.8            | 218.004.28 | Travessa corrediça          | 2      | 460,0      | 50,0       | 27,0      | Pinus         |
| 4              | 218.004.20 | fundo                       | 1      | 990,0      | 463,0      | 6,0       | MDF CRU       |
| 5              | 218.001.17 | cantoneira superior         | 4      | 160,0      | 44,0       | 18,0      | Pinus         |
| 6              | 218.004.24 | Porta montada               | 2      |            |            |           |               |
| 6.1            | 218.001.25 | Montante esquerdo porta     | 1      | 409,0      | 50,0       | 18,0      | Pinus         |
| 6.2            | 218.004.27 | Montante menor porta        | 2      | 419,0      | 50,0       | 18,0      | Pinus         |
| 6.3            | 218.001.26 | Montante direito porta      | 1      | 409,0      | 50,0       | 18,0      | Pinus         |
| 6.4            | 218.004.23 | Almofada porta              | 1      | 417,0      | 327,0      | 6,0       | MDF CRU       |
| 7              | 218.004.15 | travessa superior traseira  | 1      | 1444,0     | 220,0      | 18,0      | MDF CRU       |
| 8              | 218.004.16 | Travessa central frontal    | 2      | 1444,0     | 50,0       | 30,0      | Pinus         |
| 9              | 218.004.11 | Fundo montado               | 1      |            |            |           |               |
| 9.1            | 218.001.13 | Travessa lateral fundo      | 5      | 493,0      | 44,0       | 14,0      | Pinus         |
| 9.2            | 218.004.12 | Travessa maior fundo        | 2      | 1444,0     | 62,0       | 18,0      | Pinus         |
| 9.5            | 218.001.14 | Travessa central fundo      | 14     | 493,0      | 44,0       | 14,0      | Pinus         |
| 11             | 218.001.22 | Travessa central Prateleira | 1      | 429,0      | 60,0       | 18,0      | Pinus         |
| 17             | 218.001.19 | Cleat                       | 1      | 150,0      | 18,0       | 18,0      | Pinus         |
| 23             | 218.004.30 | Divisão esquerda            | 1      | 445,0      | 488,0      | 15,0      | Pinus(Finger) |
| 24             | 218.004.29 | Travessa lateral fundo      | 2      | 429,0      | 60,0       | 25,0      | Pinus         |
| 29.1           | 218.004.33 | Lateral Direita Gaveta      | 4      | 400,0      | 150,0      | 14,0      | Pinus(Finger) |
| 29.2           | 218.004.32 | Lateral Esquerda Gaveta     | 4      | 400,0      | 150,0      | 14,0      | Pinus(Finger) |
| 29.3           | 218.004.35 | Fundo de Gaveta             | 4      | 157,0      | 396,0      | 3,0       | MDF CRU       |
| 29.4           | 218.004.34 | Traseiro de gaveta          | 4      | 147,0      | 148,0      | 14,0      | Pinus(Finger) |
| 29.7           | 218.004.36 | Frente gaveta montada       | 4      |            |            |           |               |
| 29.7.1         | 218.004.37 | Montante lateral gaveta     | 2      | 203,0      | 50,0       | 18,0      | Pinus         |
| 29.7.2         | 218.004.38 | Montante menor gaveta       | 2      | 135,0      | 50,0       | 18,0      | Pinus         |
| 29.7.3         | 218.004.39 | Almofada frente gaveta      | 1      | 133,0      | 121,0      | 6,0       | MDF CRU       |
| 33             | 218.004.31 | Divisão direita             | 1      | 445,0      | 488,0      | 15,0      | Pinus(Finger) |



|   |  |           |                             |
|---|--|-----------|-----------------------------|
| tresirmaos                                      |  | Edição:   | Data alteração:             |
| Código / Produto:<br>218.004_Bennet_60" _Vanity |  | Material: | Data criação:<br>11/07/2020 |
| Código / Peça :<br>/ movel montado              |  | QTDE.     | Desenho:<br>Marcelo         |
| Dimensões em (mm): x x                          |  | M² :      | M³ :                        |
|   |  | Peso: N/A | Página: 2                   |