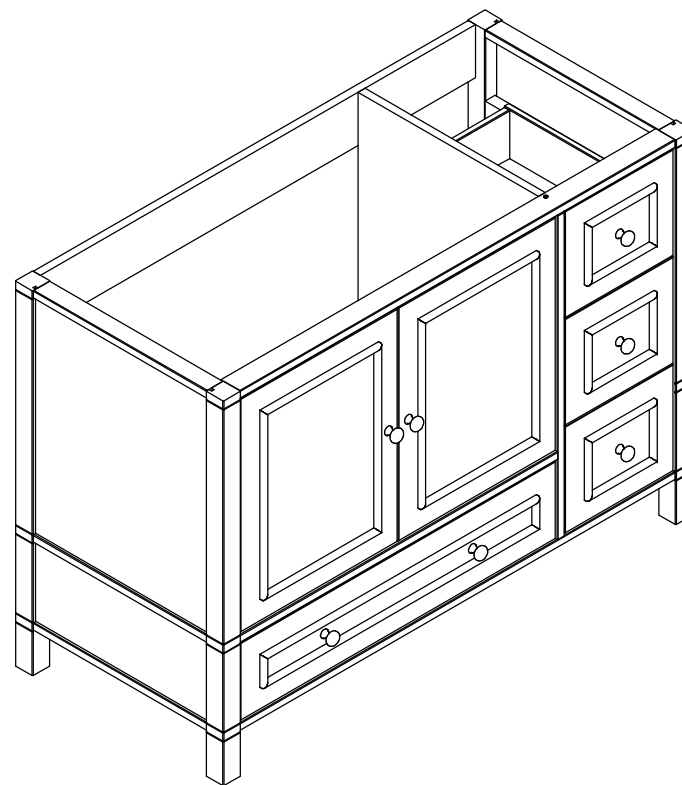



tresirmaos		Edição:	Data alteração:
Código / Produto: 218.011_Williamsburg_48" _Vanity		Material:	Data criação: 25/07/2020
Código / Peça : / movel montado		QTDE.	Desenho: Marcelo
Dimensões em (mm): x x	M ² :	M ³ :	Peso: N/A
			Página: 1

Lista de peças

Item	Código	Peça	Quant.	Comp. (mm)	Larg. (mm)	Esp. (mm)	Material
1	218.011.10	lateral direita montada	1				
1.1	218.011.12	pe direito frontal	1	865,0	45,0	45,0	Pinus(Finger)
1.2	218.011.11	pe direito traseiro	1	865,0	45,0	45,0	Pinus(Finger)
1.3	218.009.09	Almofada lateral maior	1	462,0	541,0	6,0	MDF CRU
1.5	218.009.05	Travessa superior lateral	2	450,0	43,0	18,0	Pinus
1.8	218.009.06	Travessa corrediça	3	450,0	50,0	26,0	Pinus
1.9	218.009.04	Travessa central lateral	1	450,0	43,0	18,0	Pinus
1.10	218.009.08	Almofada lateral menor	1	462,0	190,0	6,0	MDF CRU
2	218.010.28	travessa frontal superior	1	824,0	30,0	18,0	Pinus
3	218.011.01	lateral esquerda montada	1				
3.1	218.009.02	pe esquerdo frontal	1	865,0	45,0	45,0	Pinus(Finger)
3.2	218.011.03	pe esquerdo traseiro	1	865,0	45,0	45,0	Pinus(Finger)
3.3	218.009.09	Almofada lateral maior	1	462,0	541,0	6,0	MDF CRU
3.5	218.009.05	Travessa superior lateral	2	450,0	43,0	18,0	Pinus
3.8	218.009.06	Travessa corrediça	1	450,0	50,0	26,0	Pinus
3.9	218.009.04	Travessa central lateral	1	450,0	43,0	18,0	Pinus
3.10	218.009.08	Almofada lateral menor	1	462,0	190,0	6,0	MDF CRU
3.11	218.009.07	travessa interna dobradiça	1	530,0	60,0	18,0	Pinus
7	218.011.15	travessa superior traseira	2	1129,0	120,0	18,0	Pinus
23	218.010.14	Fundo	1	824,0	537,0	18,0	MDF CRU
24	218.011.13	travessa inferior frontal	1	1129,0	50,0	18,0	Pinus
25	218.011.16	Travessa superior frontal	1	1129,0	50,0	18,0	Pinus
28.1	218.009.22	Lateral Direita Gaveta	1	400,0	130,0	14,0	Pinus(Finger)
28.2	218.009.23	Lateral Esquerda Gaveta	1	800,0	300,0	18,0	Pinus(Finger)
28.3	218.010.24	Fundo de Gaveta	1	783,0	398,0	3,0	MDF CRU
28.4	218.010.21	Traseiro de gaveta	1	770,0	128,0	14,0	Pinus(Finger)
28.9	218.010.25	Frente montada	1				
28.9.1	218.010.26	Frente de Gaveta	1	818,0	174,0	15,0	MDF CRU
28.9.2	218.010.30	Aplique maior gaveta	2	718,0	12,0	12,0	Pinus
28.9.3	218.009.27	Aplique menor gaveta	2	74,0	12,0	12,0	Pinus
28.10	218.009.29	Suporte fundo de gaveta	1	386,0	45,0	14,0	Pinus
29	218.010.17	Porta montada	2				
29.1	218.010.18	Porta	1	525,0	408,0	15,0	MDF CRU
29.2	218.009.19	Aplique maior porta	2	425,0	12,0	12,0	Pinus
29.3	218.010.20	Aplique menor porta	2	308,0	12,0	12,0	Pinus
37	218.011.09	Divisão esquerda	1	865,0	518,0	18,0	Pinus(Finger)
39.1	218.009.22	Lateral Direita Gaveta	3	400,0	130,0	14,0	Pinus(Finger)
39.2	218.009.23	Lateral Esquerda Gaveta	3	800,0	300,0	18,0	Pinus(Finger)
39.3	218.011.24	Fundo de Gaveta	3	246,0	398,0	3,0	MDF CRU
39.4	218.011.21	Traseiro de gaveta	3	233,0	128,0	14,0	Pinus(Finger)
39.9	218.011.25	Frente montada	3				
39.9.1	218.011.26	Frente de Gaveta	1	281,0	239,0	15,0	MDF CRU
39.9.2	218.011.30	Aplique maior gaveta	2	181,0	12,0	12,0	Pinus
39.9.3	218.011.27	Aplique menor gaveta	2	139,0	12,0	12,0	Pinus



		Edição:	Data alteração:
		Código / Produto: 218.011_Williamsburg_48" _ Vanity	Material:
Código / Peça : / movel montado		QTDE.	Desenho: Marcelo
Dimensões em (mm): x x		M² :	M³ :
		Peso: N/A	Página: 2