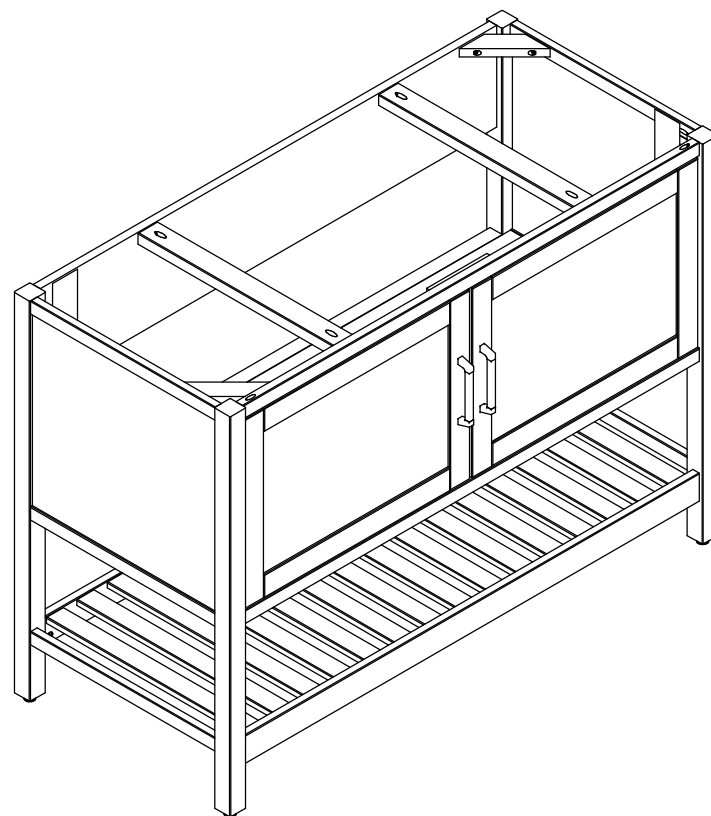


tresirmaos		Edição:	Data alteração:
Código / Produto: 218.003_Bennet_48" _Vanity		Material:	Data criação: 30/10/2020
Código / Peça : / movel montado		QTDE.	Desenho: Dilson
Dimensões em (mm): x x	M² :	M³ :	Peso: 20,767 kg
			Página: 1

Lista de peças

Item	Código	Peça	Quant.	Comp. (mm)	Larg. (mm)	Esp. (mm)	Material
1	218.001.08	lateral direita montada	1				
1.1	218.001.10	pe direito frontal	1	865,0	40,0	40,0	Pinus(Finger)
1.2	218.001.09	pe direito traseiro	1	865,0	40,0	40,0	Pinus(Finger)
1.3	218.001.04	Almofada lateral	1	472,0	427,0	6,0	MDF CRU
1.4	218.001.07	Travessa inferior lateral	1	460,0	30,0	18,0	Pinus
1.5	218.001.05	Travessa superior lateral	2	460,0	30,0	18,0	Pinus
1.8	218.001.06	travessa interna dobradiça	1	415,0	50,0	18,0	Pinus
2	218.003.18	travessa frontal superior	1	1139,0	30,0	18,0	Pinus
3	218.001.01	lateral esquerda montada	1				
3.1	218.001.02	pe esquerdo frontal	1	865,0	40,0	40,0	Pinus(Finger)
3.2	218.001.03	pe esquerdo traseiro	1	865,0	40,0	40,0	Pinus(Finger)
3.3	218.001.04	Almofada lateral	1	472,0	427,0	6,0	MDF CRU
3.4	218.001.07	Travessa inferior lateral	1	460,0	30,0	18,0	Pinus
3.5	218.001.05	Travessa superior lateral	2	460,0	30,0	18,0	Pinus
3.8	218.001.06	travessa interna dobradiça	1	415,0	50,0	18,0	Pinus
4	218.003.20	fundo	1	1178,0	458,0	6,0	MDF CRU
5	218.001.17	cantoneira superior	4	160,0	44,0	18,0	Pinus
6	218.003.24	Porta montada	2				
6.1	218.001.25	Montante esquerdo porta	1	409,0	50,0	18,0	Pinus
6.2	218.003.27	Montante menor porta	2	484,0	50,0	18,0	Pinus
6.3	218.001.26	Montante direito porta	1	409,0	50,0	18,0	Pinus
6.4	218.003.23	Almofada porta	1	482,0	327,0	6,0	MDF CRU
7	218.003.15	Painel traseiro	1	1139,0	220,0	18,0	MDF CRU
8	218.003.16	Travessa central	2	1139,0	50,0	30,0	Pinus
9	218.003.11	Fundo montado	1				
9.1	218.001.13	Travessa lateral fundo	4	488,0	44,0	14,0	Pinus
9.2	218.003.12	Travessa maior fundo	2	1139,0	62,0	18,0	Pinus
9.5	218.001.14	Travessa central fundo	11	488,0	44,0	14,0	Pinus
10	218.001.21	Travessa lateral prateleira	2	416,0	22,0	22,0	Pinus
11	218.001.22	Travessa central Prateleira	1	424,0	60,0	18,0	Pinus
17	218.001.19	Cleat	1	150,0	18,0	18,0	Pinus
26	218.003.30	Travessa reforço superior	2	488,0	50,0	25,0	Pinus



tresirmaos		Edição:	Data alteração:
Código / Produto: 218.003_Bennet_48" _Vanity		Material:	Data criação: 30/10/2020
Código / Peça: / movel montado		QTDE.	Desenho: Dilson
Dimensões em (mm): x x	M² :	M³ :	Peso: 20,767 kg
			Página: 2