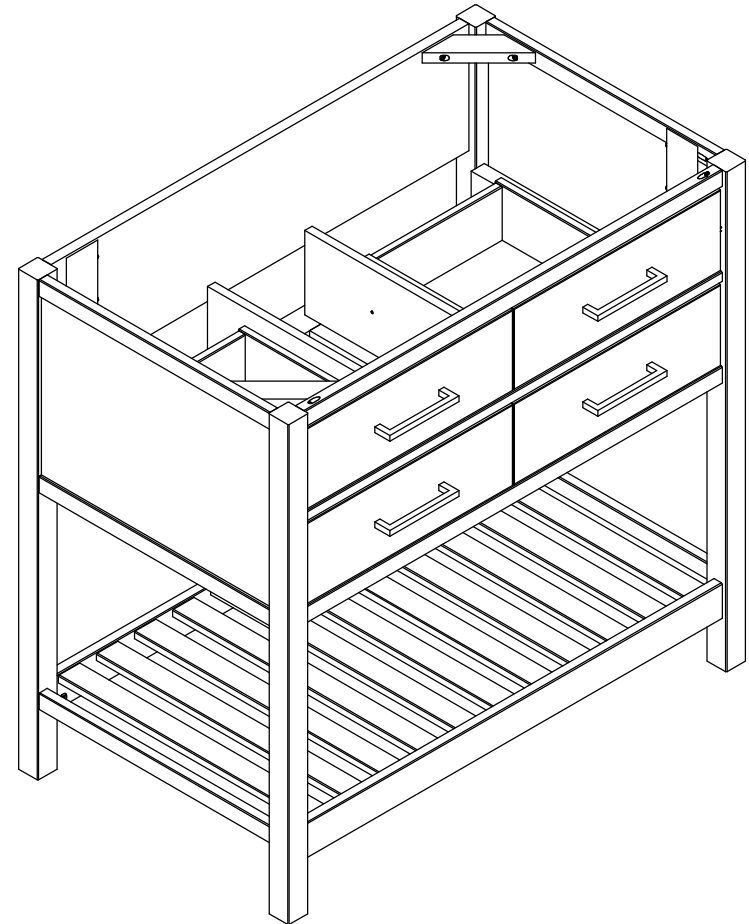


tresirmaos		Edição:	Data alteração:
Código / Produto: 218.006_Harrison_36"_Vanity		Material:	Data criação: 14/07/2020
Código / Peça : / movel montado		QTDE.	Desenho: Marcelo
Dimensões em (mm): x x	M ² :	M ³ :	Peso: N/A
			Página: 1

Lista de peças							
Item	Código	Peça	Quant.	Comp. (mm)	Larg. (mm)	Esp. (mm)	Material
1	218.005.08	lateral direita montada	1				
1.1	218.005.10	pe direito frontal	1	865,0	40,0	40,0	Pinus(Finger)
1.2	218.005.09	pe direito traseiro	1	865,0	40,0	40,0	Pinus(Finger)
1.3	218.005.04	Almofada lateral	1	472,0	323,0	6,0	MDF CRU
1.4	218.001.07	Travessa inferior lateral	1	460,0	30,0	18,0	Pinus
1.5	218.001.05	Travessa superior lateral	2	460,0	30,0	18,0	Pinus
1.8	218.004.28	Travessa corrediça	1	460,0	50,0	26,0	Pinus
2	218.006.18	travessa frontal superior	1	834,0	30,0	18,0	Pinus
3	218.005.01	lateral esquerda montada	1				
3.1	218.005.02	pe esquerdo frontal	1	865,0	40,0	40,0	Pinus(Finger)
3.2	218.005.03	pe esquerdo traseiro	1	865,0	40,0	40,0	Pinus(Finger)
3.3	218.005.04	Almofada lateral	1	472,0	323,0	6,0	MDF CRU
3.4	218.001.07	Travessa inferior lateral	1	460,0	30,0	18,0	Pinus
3.5	218.001.05	Travessa superior lateral	2	460,0	30,0	18,0	Pinus
3.8	218.004.28	Travessa corrediça	1	460,0	50,0	26,0	Pinus
5	218.001.17	cantoneira superior	4	160,0	44,0	18,0	Pinus
7	218.002.15	travessa superior traseira	1	834,0	220,0	18,0	MDF CRU
8	218.006.16	Travessa central frontal	2	834,0	50,0	30,0	Pinus
9	218.002.11	Fundo montado	1				
9.1	218.001.13	Travessa lateral fundo	3	488,0	44,0	14,0	Pinus
9.2	218.002.12	Travessa maior fundo	2	834,0	62,0	18,0	Pinus
9.5	218.001.14	Travessa central fundo	8	488,0	44,0	14,0	Pinus
32	218.006.22	Travessa central gavetas	1	834,0	40,0	18,0	Pinus
33	218.006.17	Frente de Gaveta fixa	2	413,0	140,0	18,0	MDF CRU
34	218.006.15	Painel frontal	1	834,0	153,0	15,0	MDF CRU
40	218.006.30	Divisão	2	146,0	488,0	15,0	Pinus(Finger)
41	218.006.29	Travessa lateral fundo	2	424,0	60,0	18,0	Pinus
44.1	218.005.33	Lateral Direita Gaveta	2	400,0	115,0	14,0	Pinus(Finger)
44.2	218.005.32	Lateral Esquerda Gaveta	2	400,0	115,0	14,0	Pinus(Finger)
44.3	218.006.35	Fundo de Gaveta	2	263,0	398,0	3,0	MDF CRU
44.4	218.006.34	Traseiro de gaveta	2	250,0	113,0	14,0	Pinus(Finger)
44.9	218.006.12	Frente de gaveta	2	413,0	140,0	18,0	MDF CRU



tresirmaos		Edição:	Data alteração:
Código / Produto: 218.006_Harrison_36"__Vanity		Material:	Data criação: 14/07/2020
Código / Peça: / movel montado		QTDE.	Desenho: Marcelo
Dimensões em (mm): x x	M² :	M³ :	Peso: N/A
			Página: 2