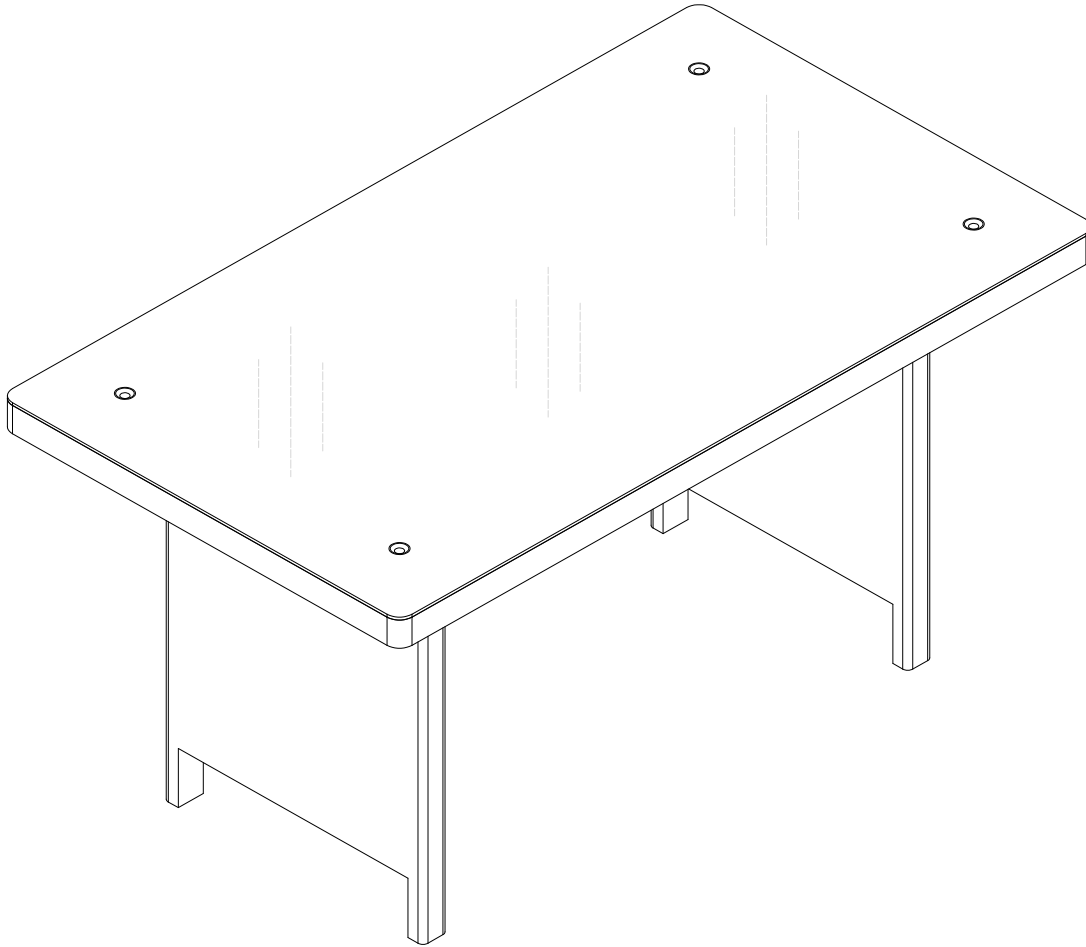


ASSEMBLY INSTRUCTIONS

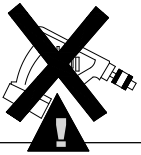
DINING TABLE WITH GLASS TOP



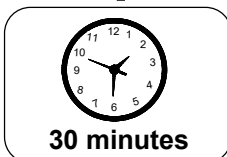
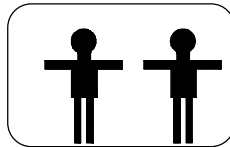
REPLACEMENT PARTS

Please do not contact the company purchased from as we can help you faster.

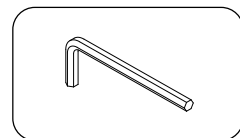
Order replacement parts and hardware at "boltonfurniture.com"



. Use of power tool to assemble this product will invalidate any claim and damage this product making it unsafe!!!
. Please assemble on a clean soft surface to avoid damage.

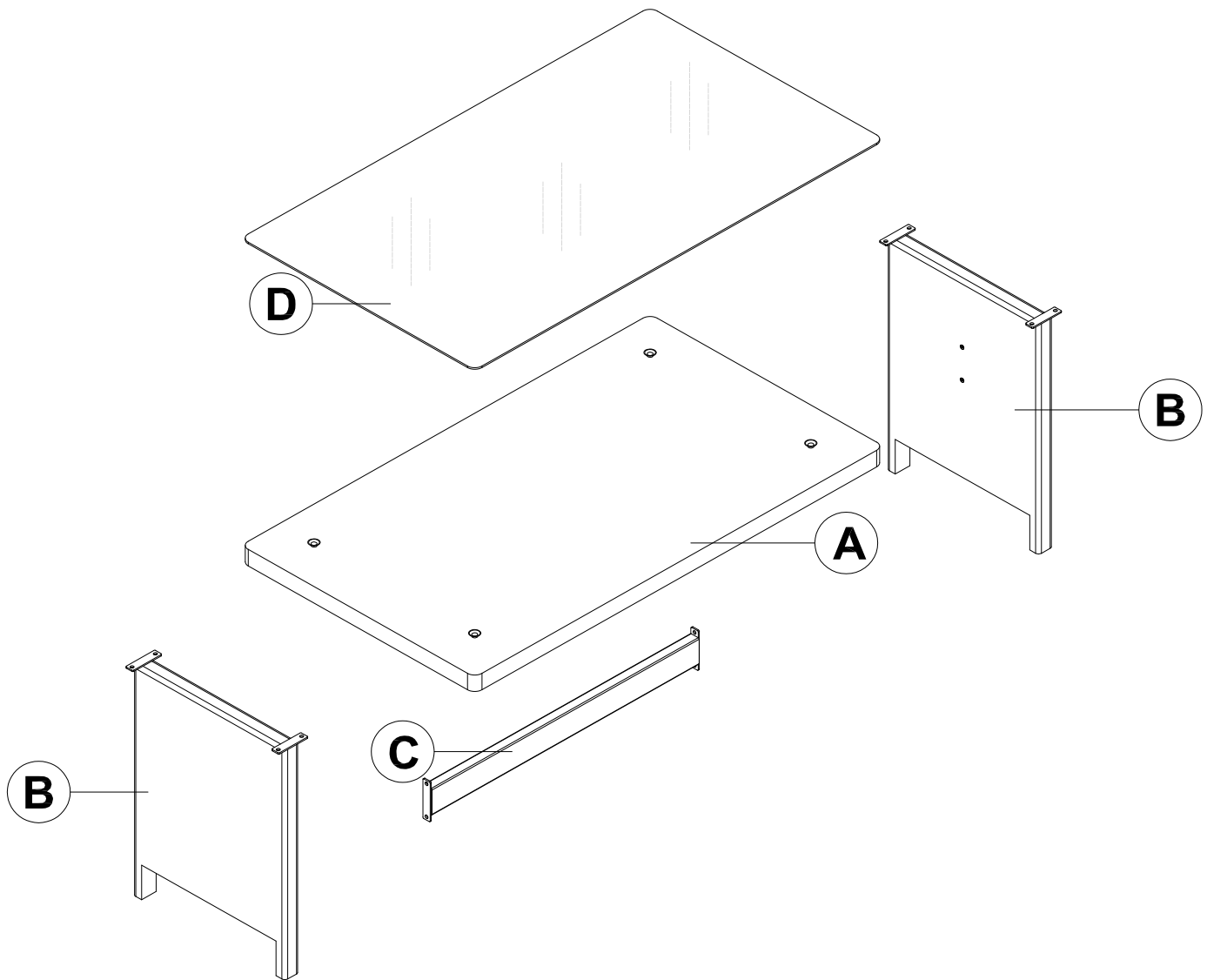


Tool Included

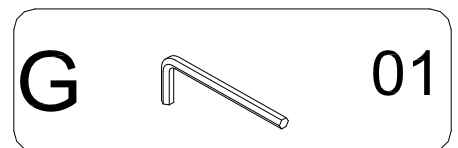
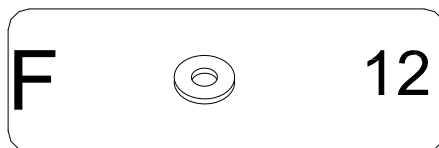
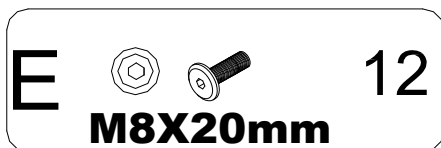


www.boltonfurniture.com

Part List- Dining Table with Glass Top

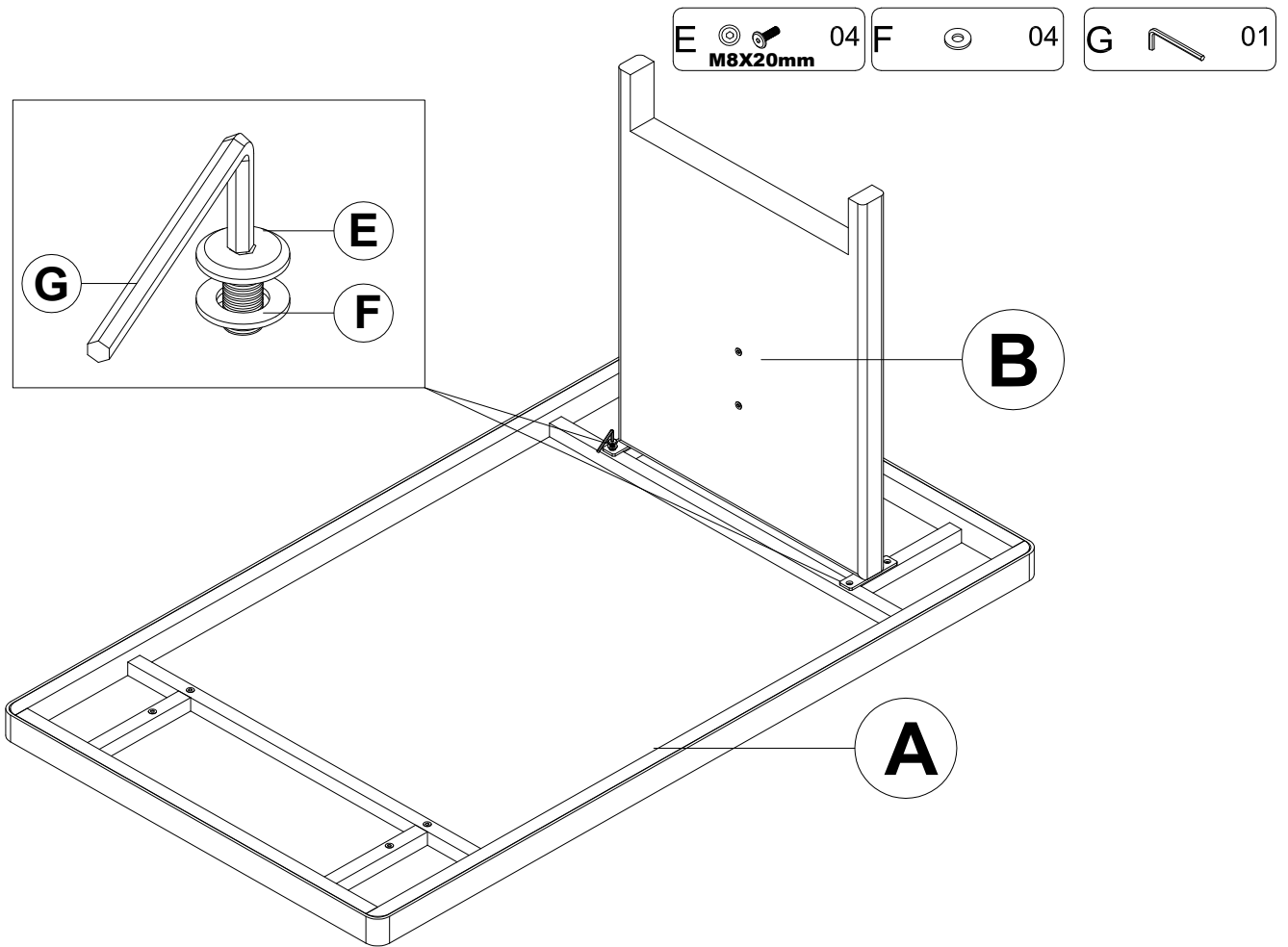


Identifying the hardware-Identify the hardware using the illustrations below.

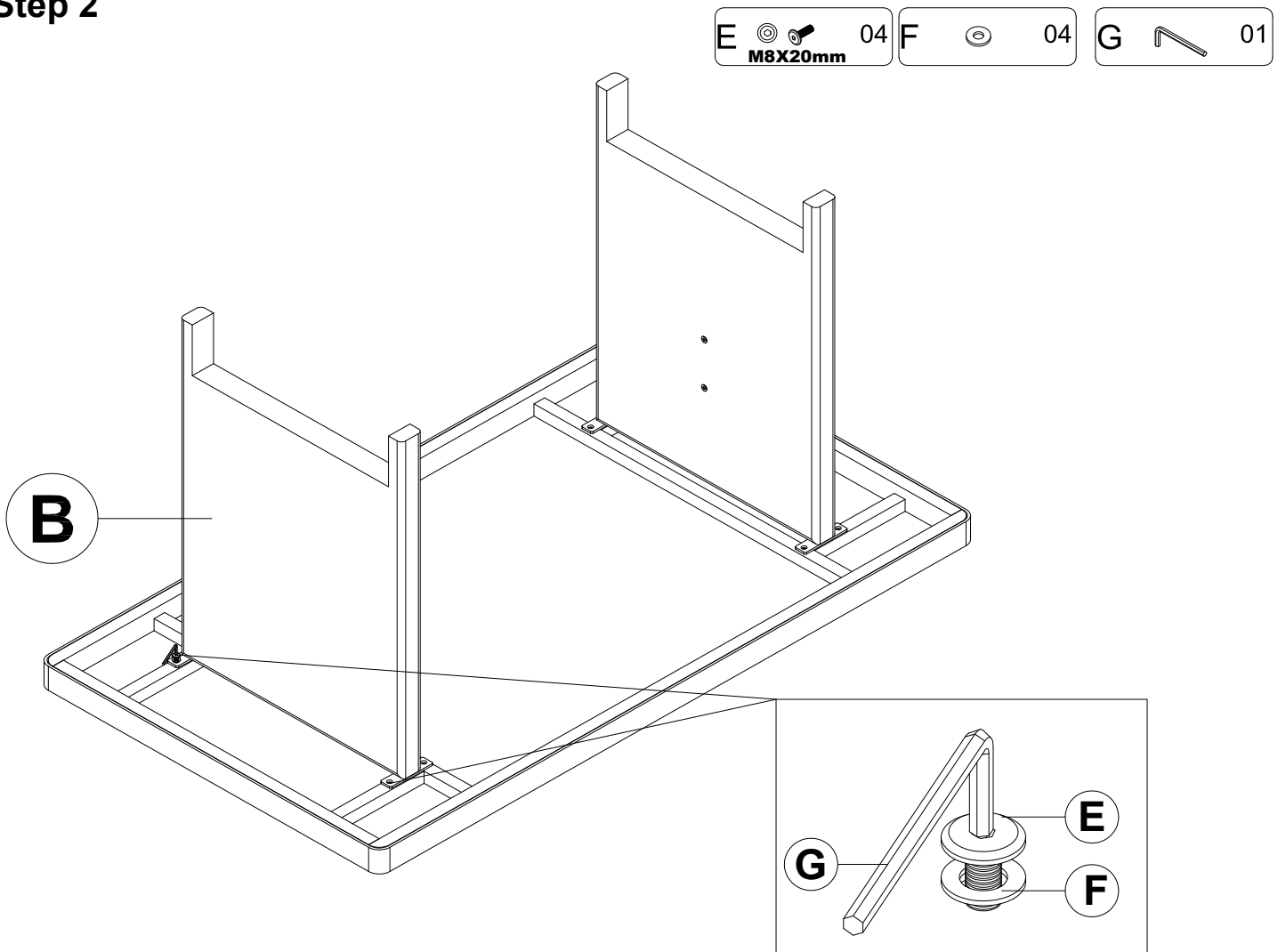


www.boltonfurniture.com




Step 1

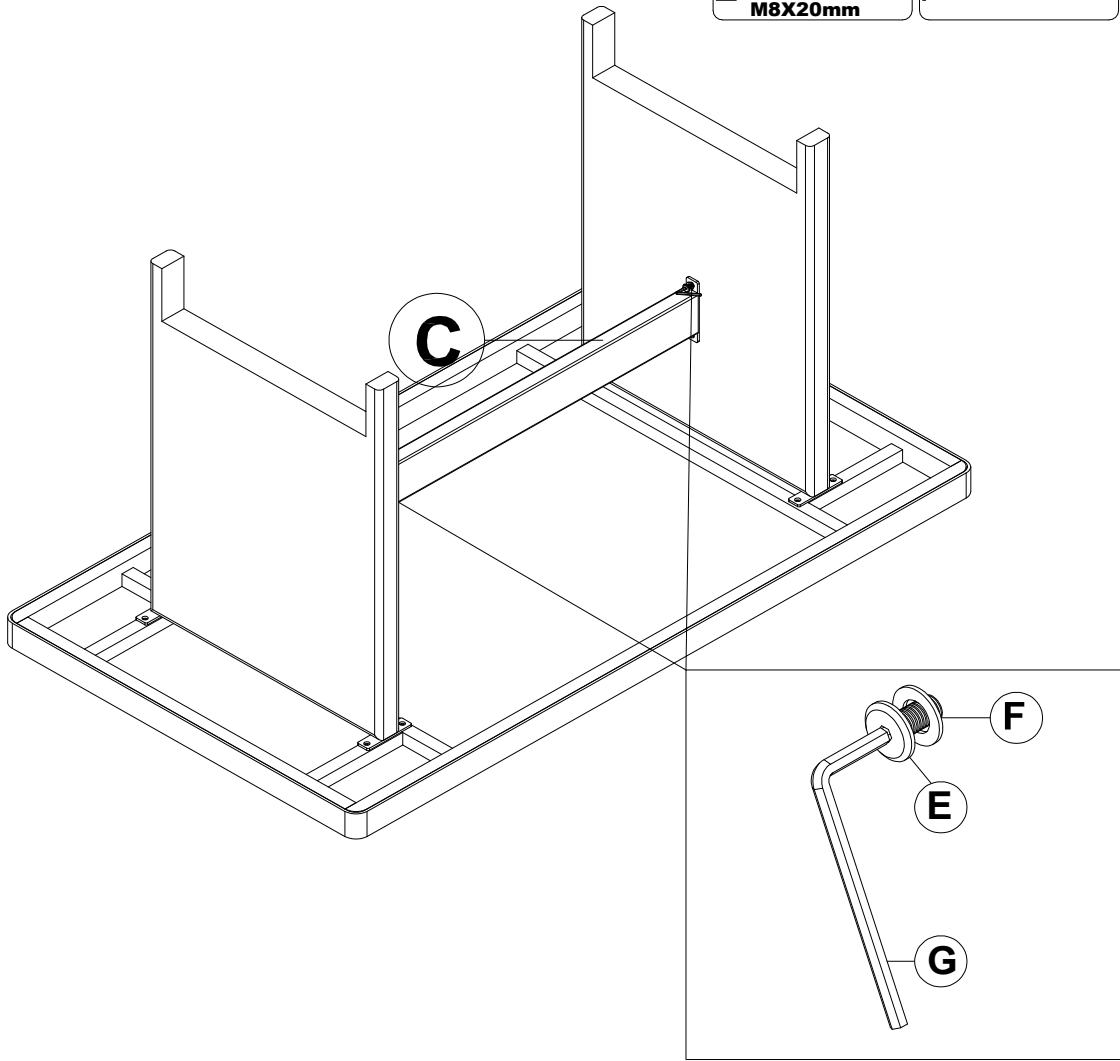


Step 2



Step 3

- E  04 M8X20mm
- F  04
- G  01



Step 4

