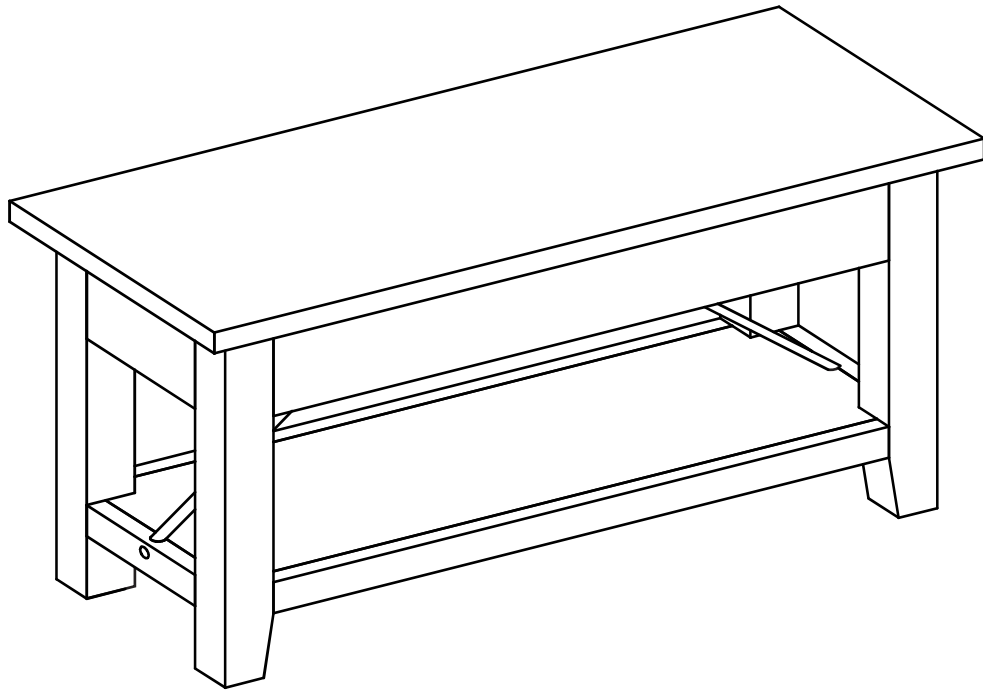


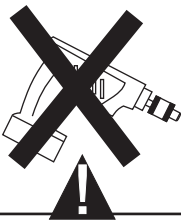
ASSEMBLY INSTRUCTIONS

BENCH

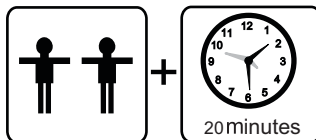


REPLACEMENT PARTS

Please do not contact the company purchased from as we can help you faster
Order replacement part and hardware at www.boltonfurniture.com



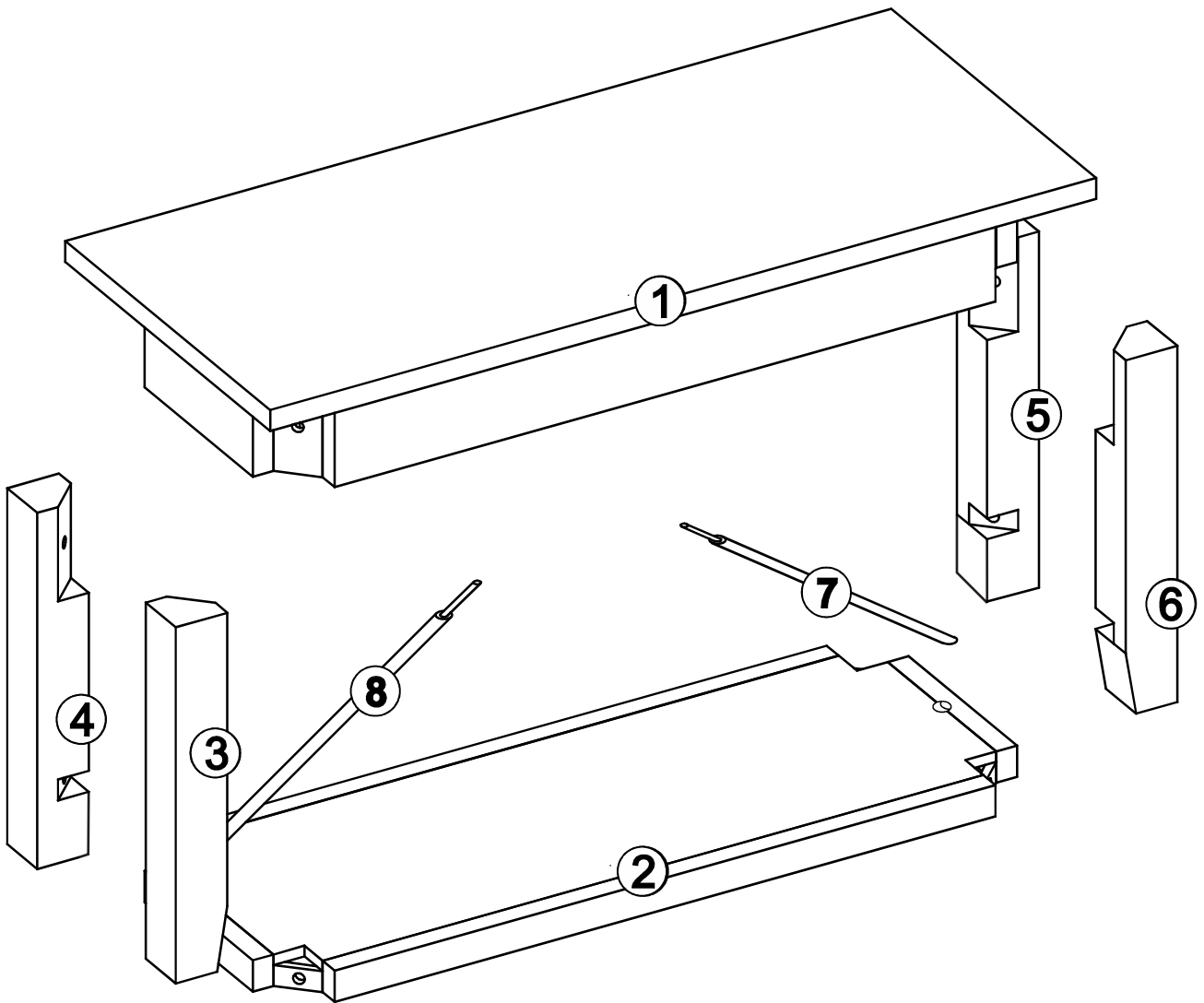
* Use of power tool to assemble this product will invalidate any claim and damage this product making it unsafe !!!
* Please assemble on a clean soft surface to avoid damage.



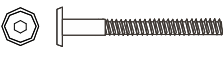
Tools Included




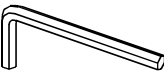
Part List - Bench

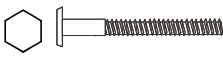


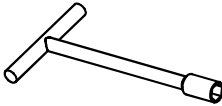
Identifying the Hardware-Identify the hardware using the illustrations below.


A  **8**
M6 X 50mm

B  **8**

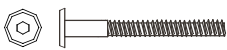
C  **01**

D  **2**
M6 X 130mm

E  **01**

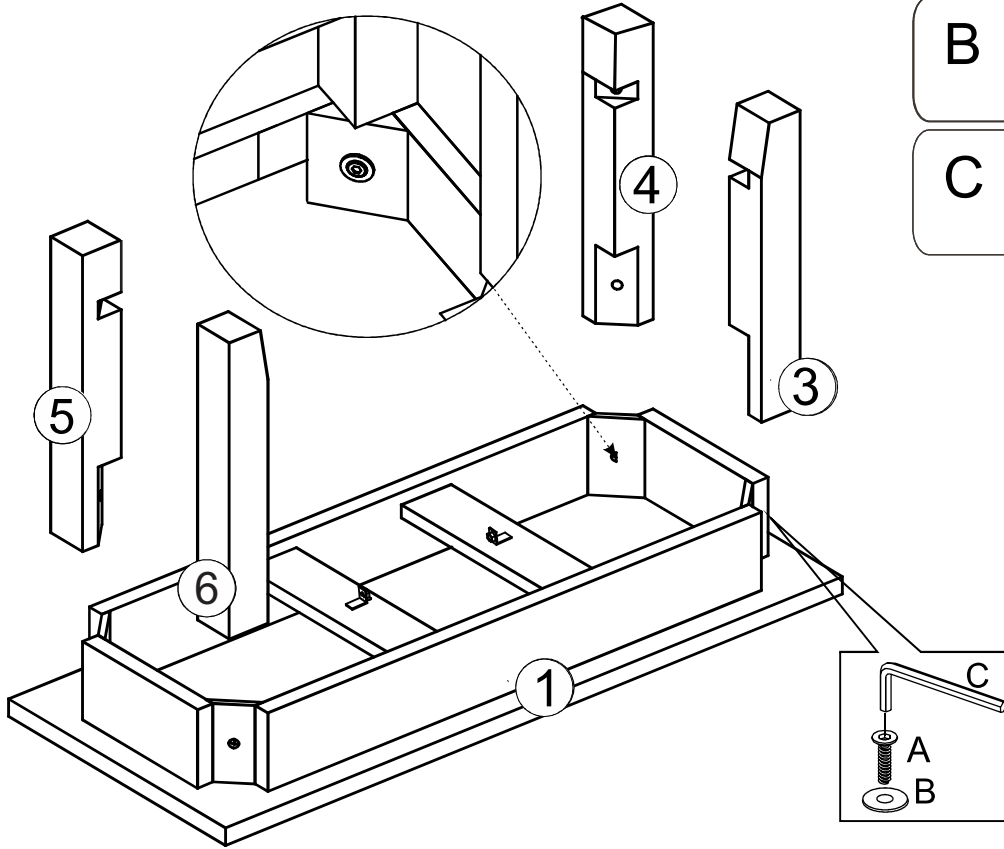
F  **02**

01

A  04
M6 X 50mm

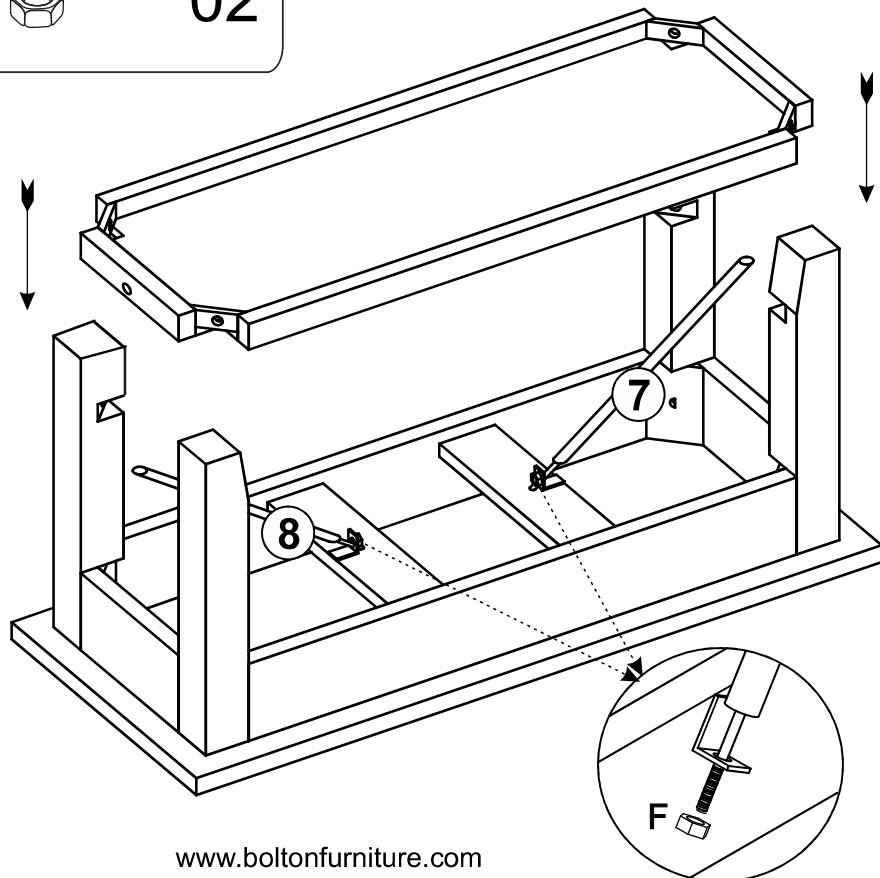
B  04

C  01




02

F  02

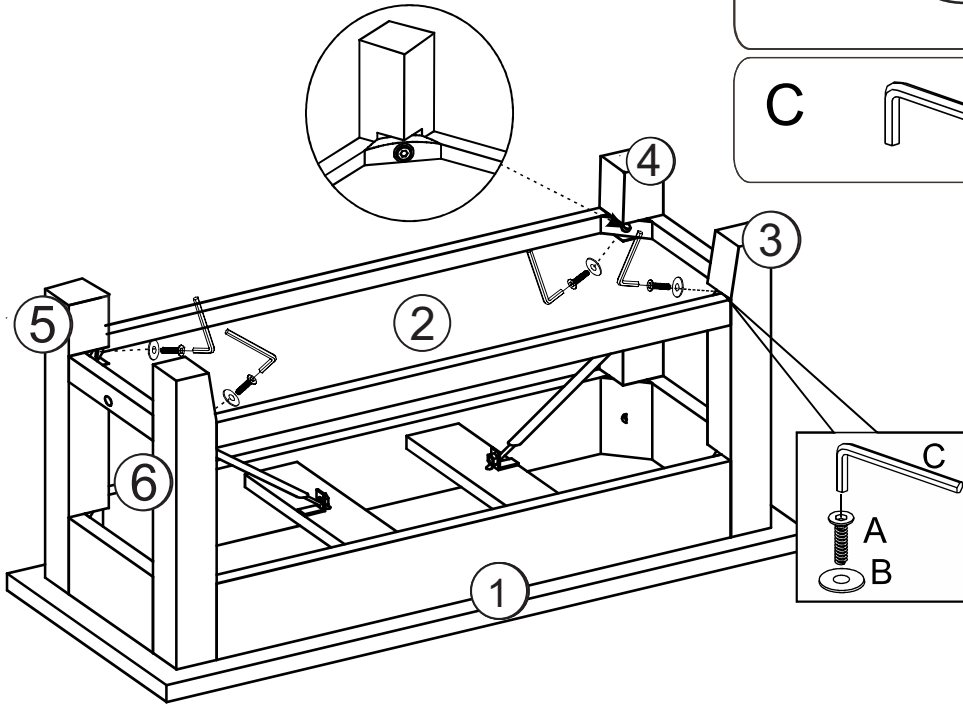


03

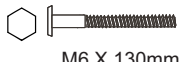
A  04
M6 X 50mm


B  04

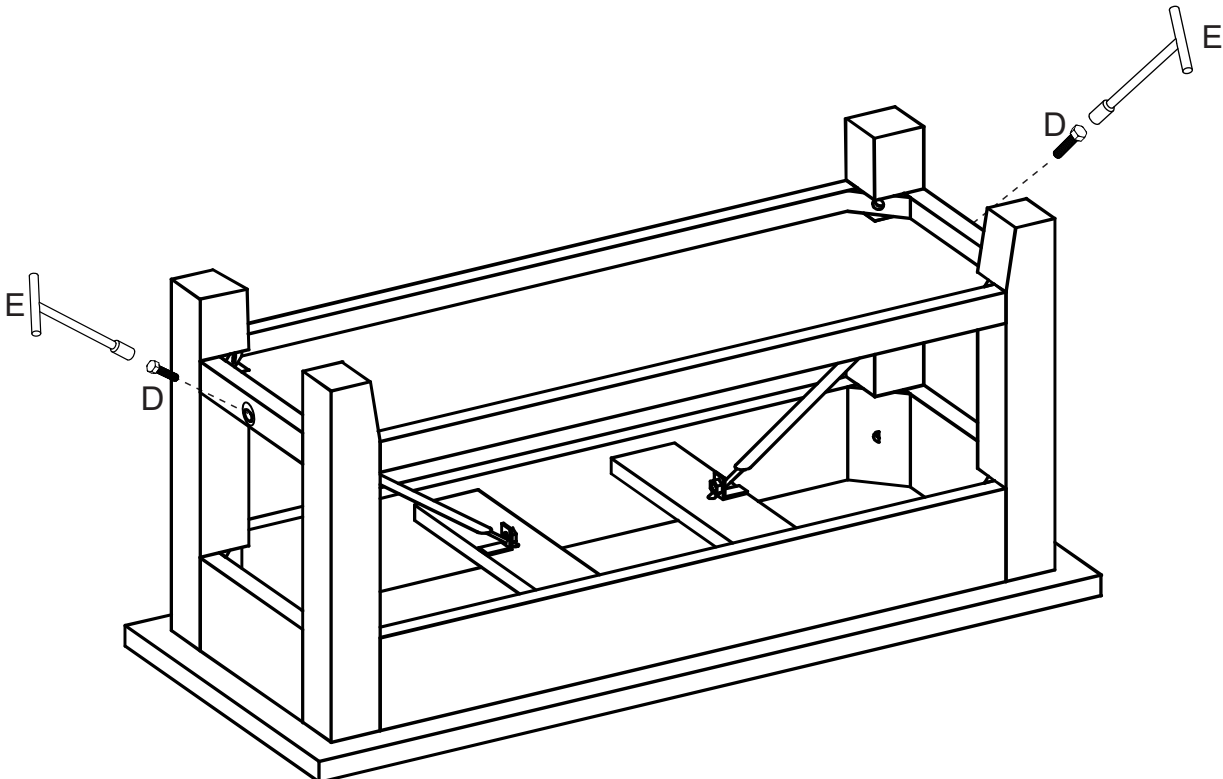
C  01



04

D  2
M6 X 130mm

E  01



05

