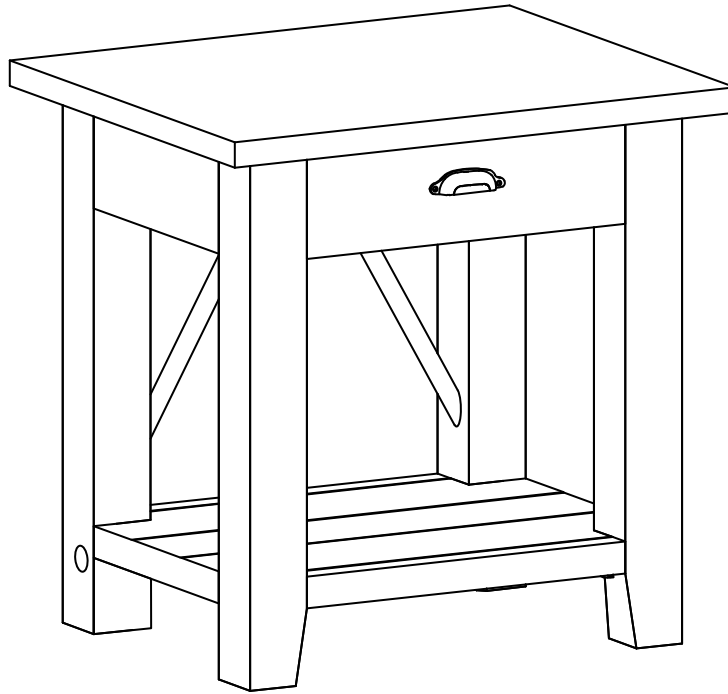


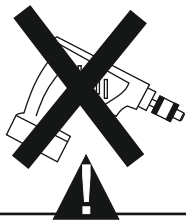
ASSEMBLY INSTRUCTIONS

END TABLE

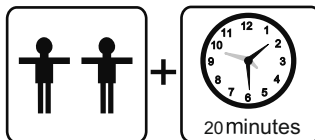


REPLACEMENT PARTS

Please do not contact the company purchased from as we can help you faster
Order replacement part and hardware at www.boltonfurniture.com



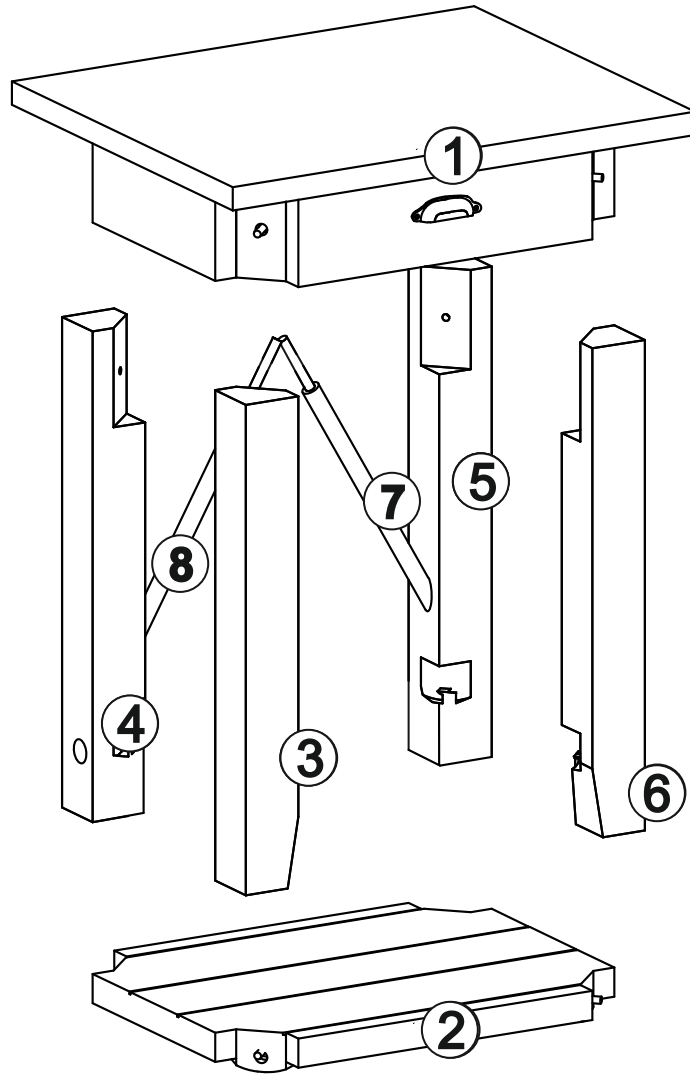
* Use of power tool to assemble this product will invalidate any claim and damage this product making it unsafe !!!
* Please assemble on a clean soft surface to avoid damage.



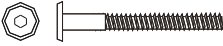
Tools Included





Part List - End Table

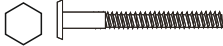



Identifying the Hardware-Identify the hardware using the illustrations below.

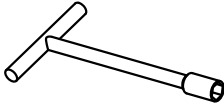
A  **8**
M6 X 50mm

B  **8**

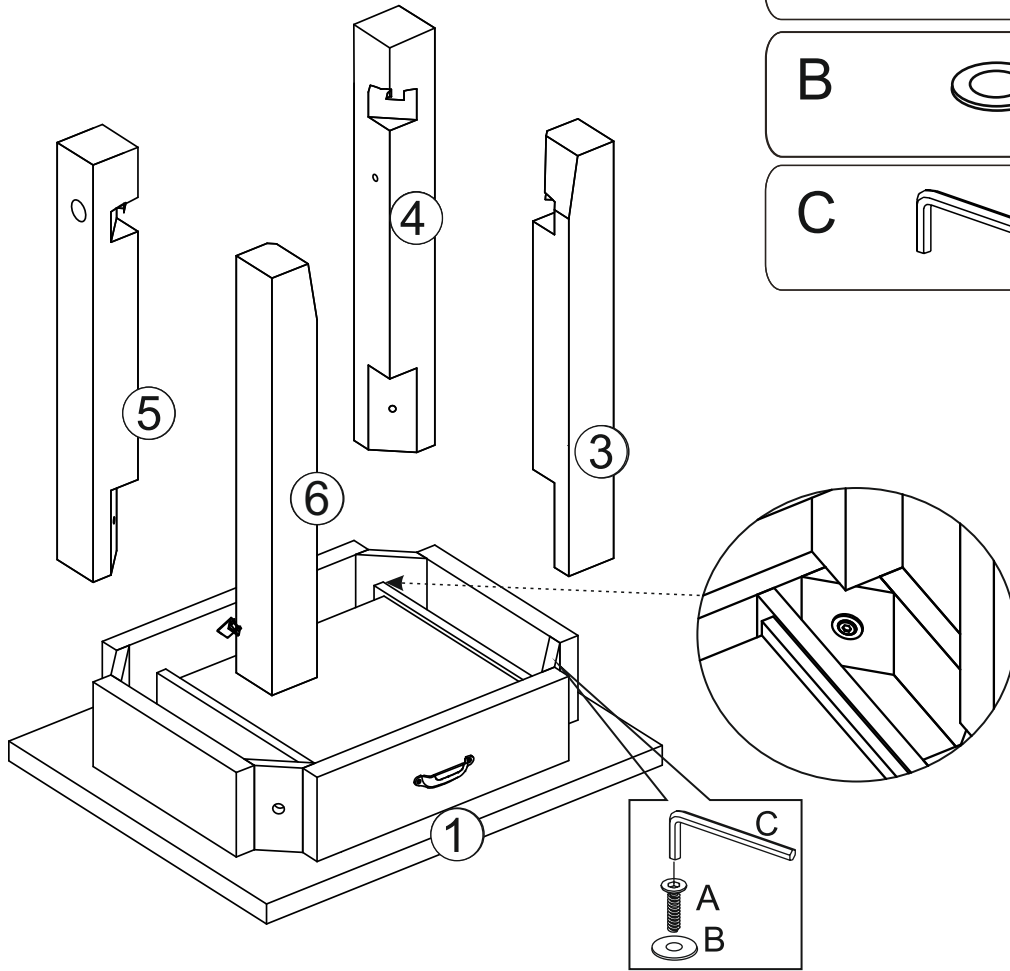
C  **01**



D  **2**
M6 X 100mm


E  **02**

F  **01**

01

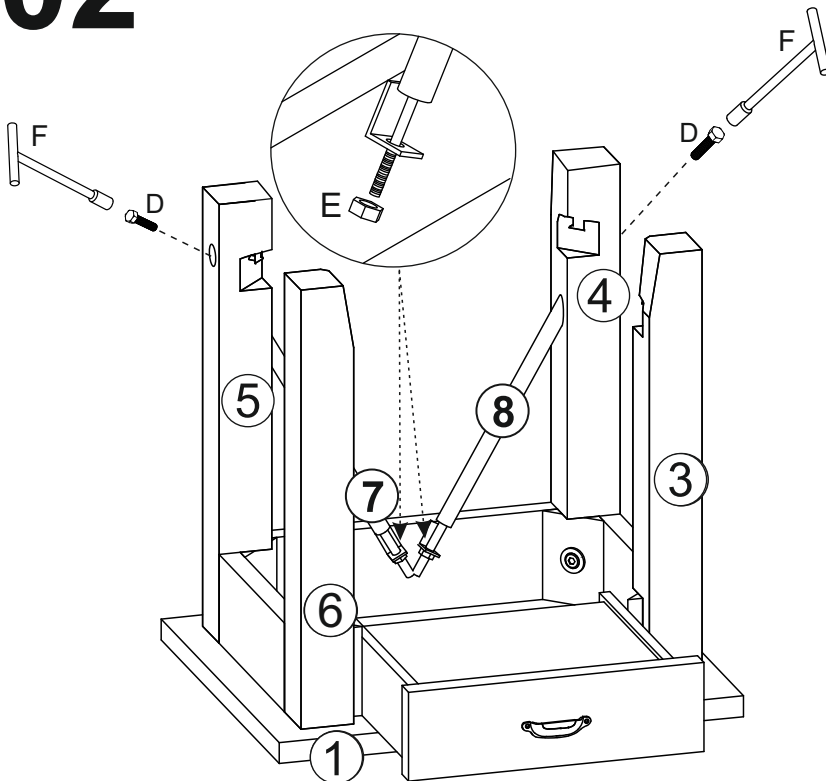


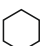

A   04
M6 X 50mm


B  04

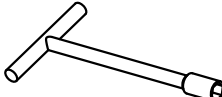
C  01

02

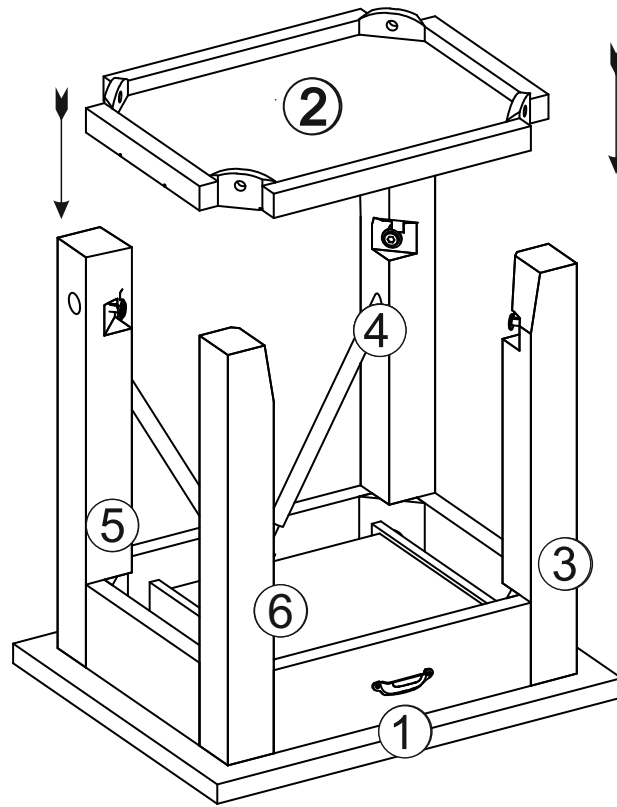


D   02
M6 X 100mm

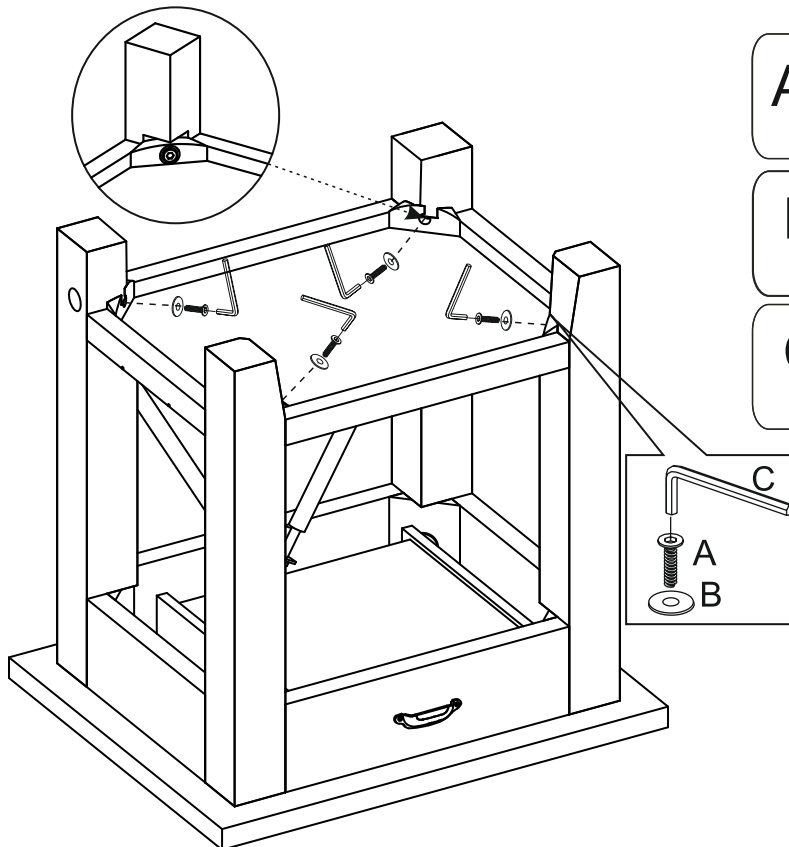
E  02

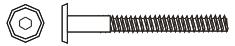
F  01

03

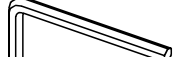


04



A  04
M6 X 50mm

B  04

C  01

05

