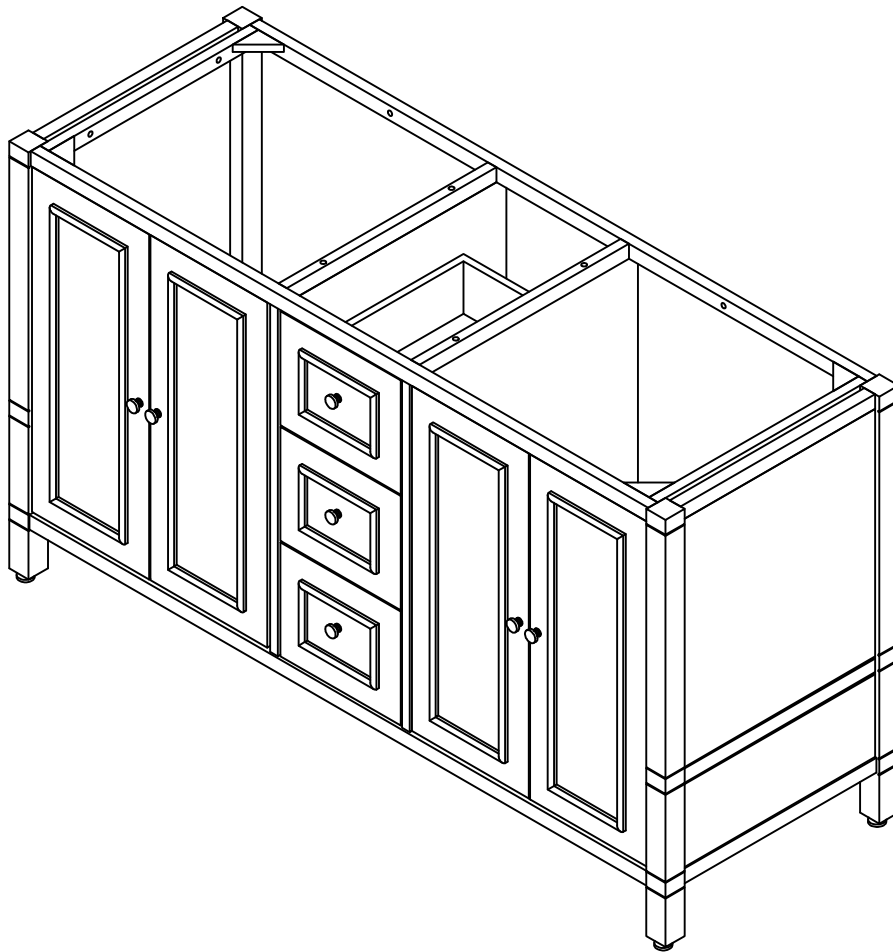


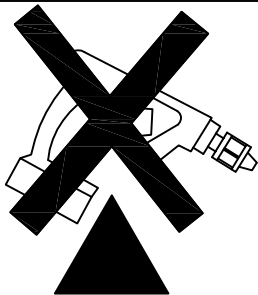
ASSEMBLY INSTRUCTION

60" Vanity

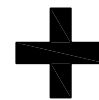
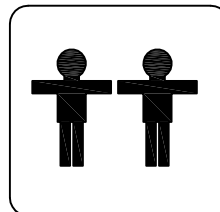


REPLACEMENT PARTS

Please do not contact the company purchased from as we can help you faster.
Order replacement parts and hardware at " www.boltonfurniture.com "

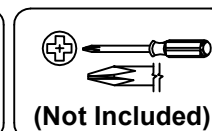
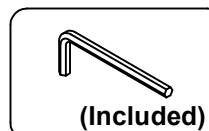


. Use of power tool to assemble this product will invalidate any claim and damage this product making it unsafe !!!
. Please assemble on a clean soft surface to avoid damage.



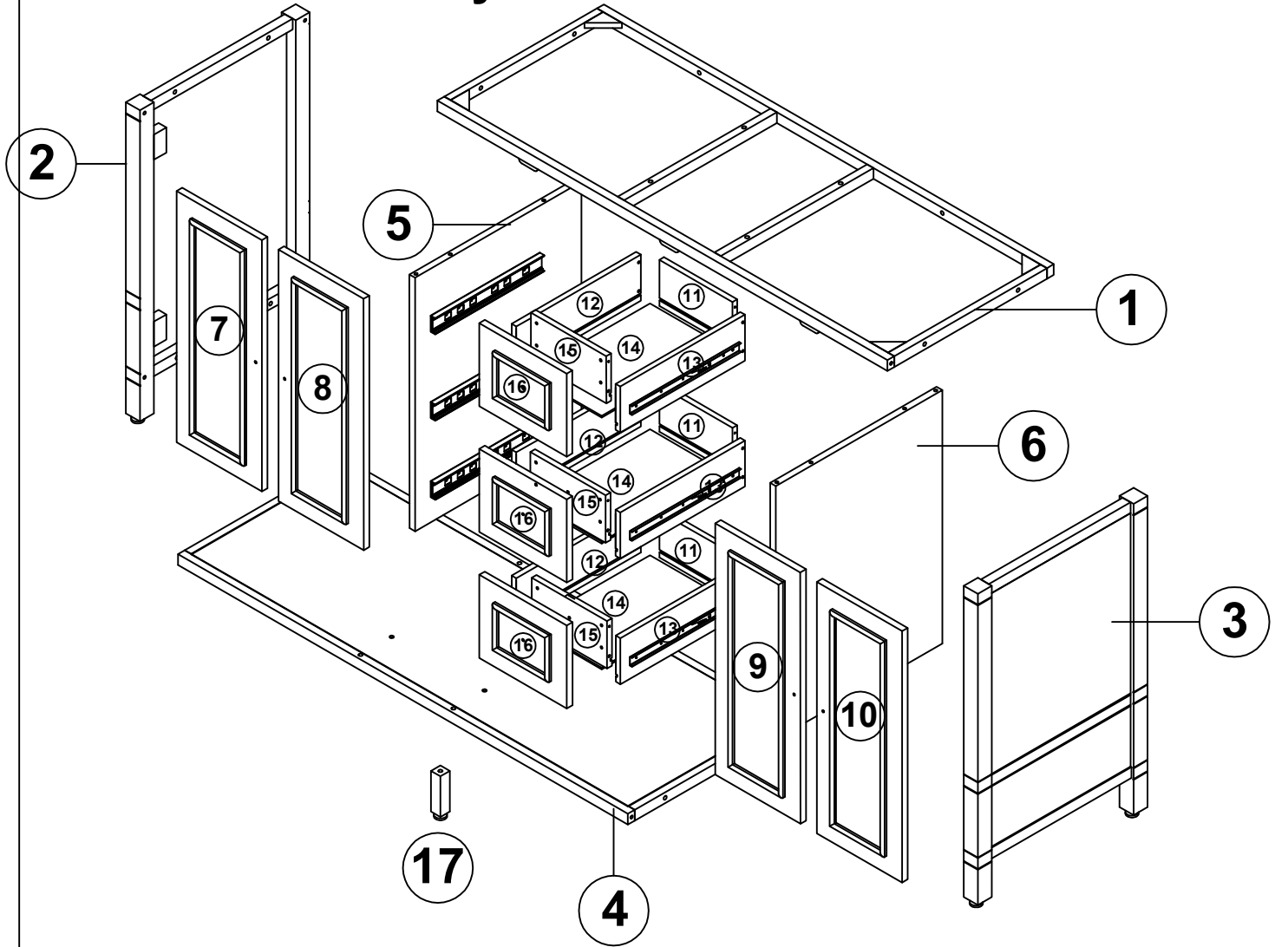
80 minutes

Tools Required










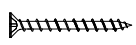

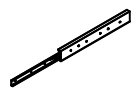

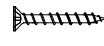



www.boltonfurniture.com

Part list - 60" Vanity

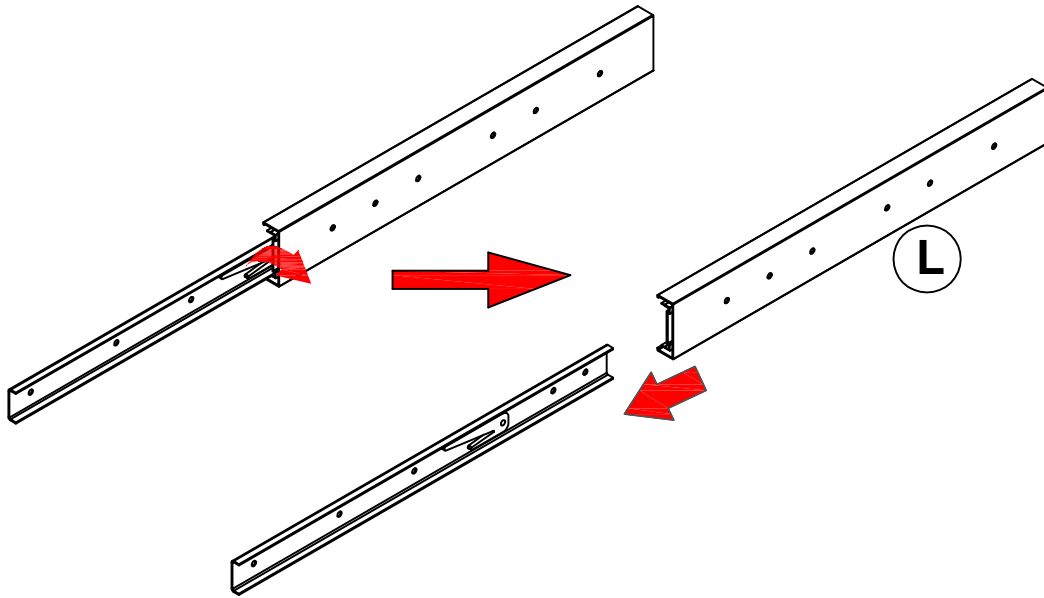


Identifying the hardware-Identify the hardware using the illustrations below

A		12
	Ø8*30mm Wood Dowel	
B		17
	M6*45mm Bolt	
C		17
	Ø6*16mm Washer	
D		02
	Hinge-1	
E		02
	Hinge-2	
F		48
	3.5*15mm Screw	
G		07
H		07
	4*25mm Screw	
I		05
	Leveler	
J		02
	4*50mm Screw	
K		01
L		06
M		48
	3.5*12mm Screw	
N		36
	4*25mm Screw	
O		24
	Ø6*20mm Wood Dowel	


Step 01

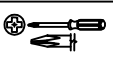
L  06

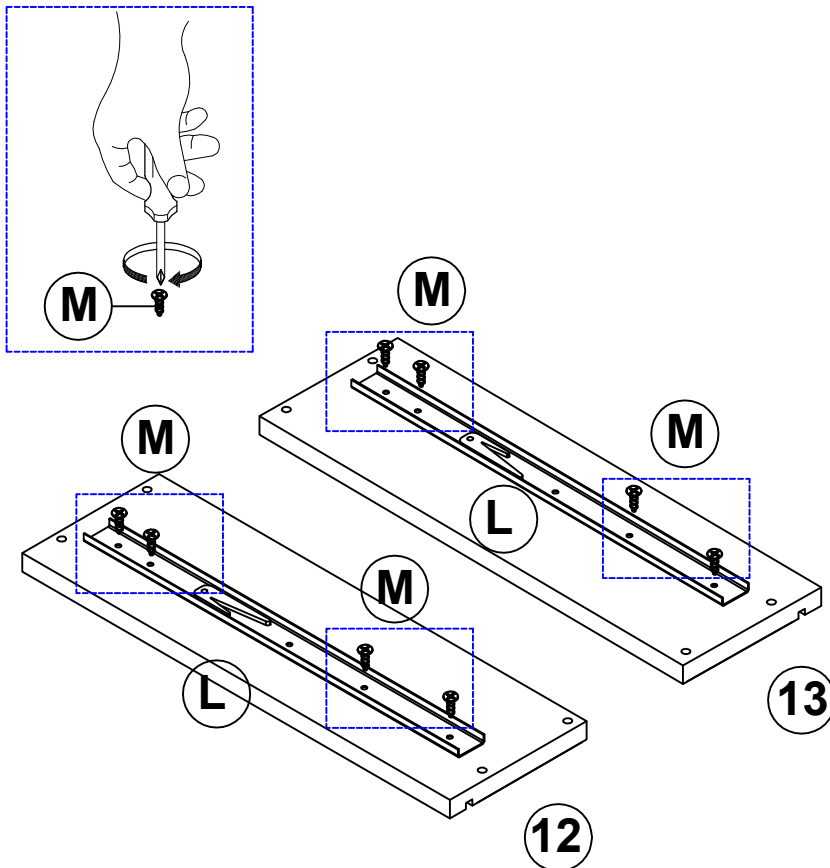


X6

Step 02

M  24
3.5*12mm Screw


 01

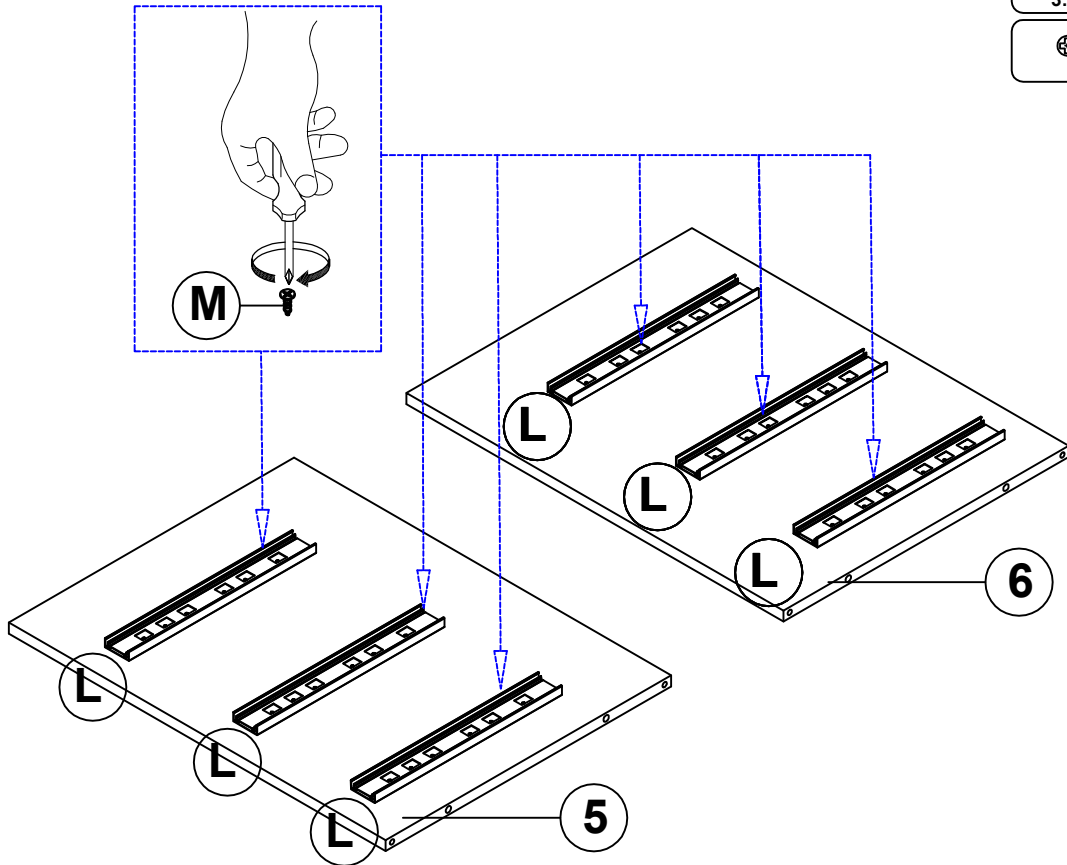


X3

Step 03


M  **24**
3.5*12mm Screw

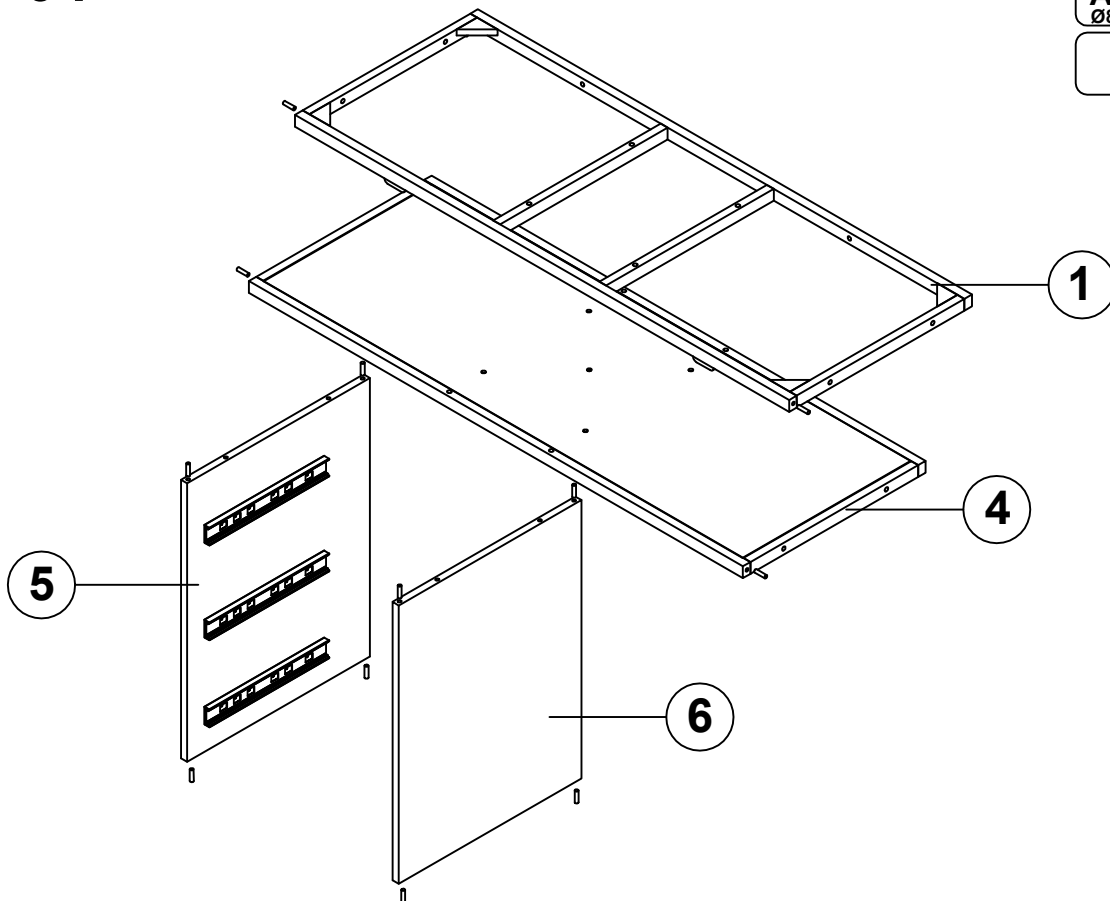
 **01**



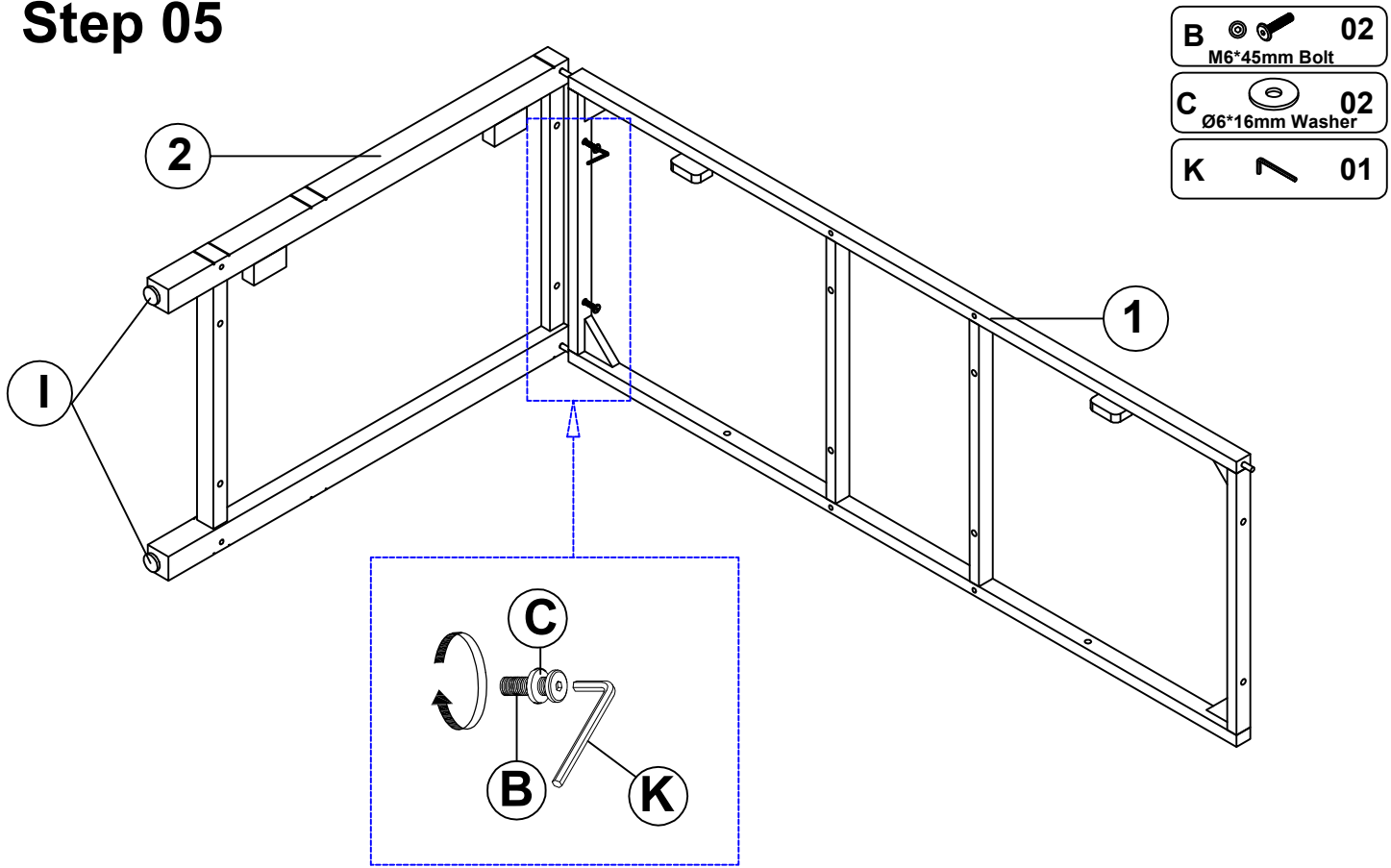
Step 04

A  **12**
Ø8*30mm Wood Dowel

 **01**
(Not Included)

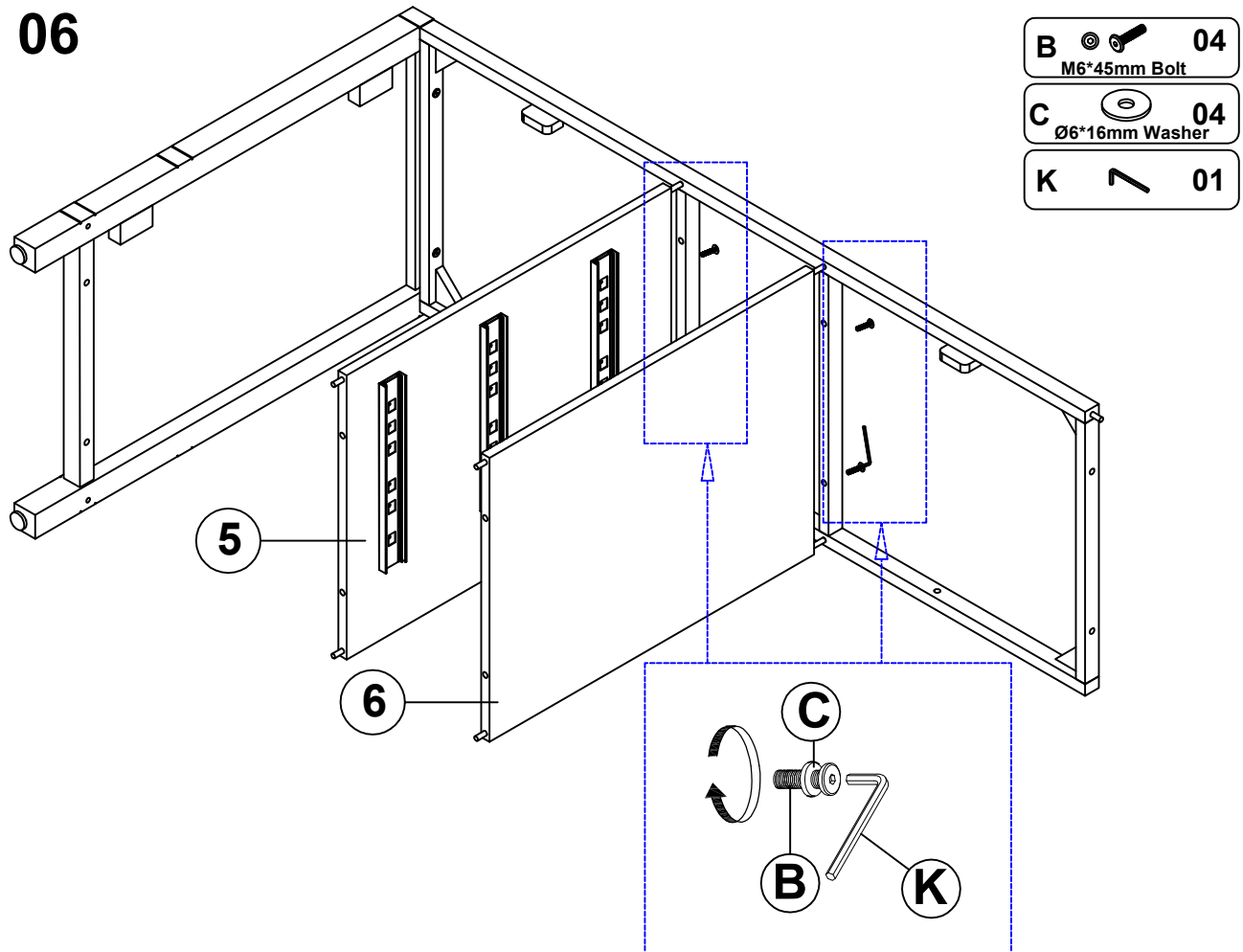


Step 05



Note: Do not tighten bolts firmly at this time

Step 06

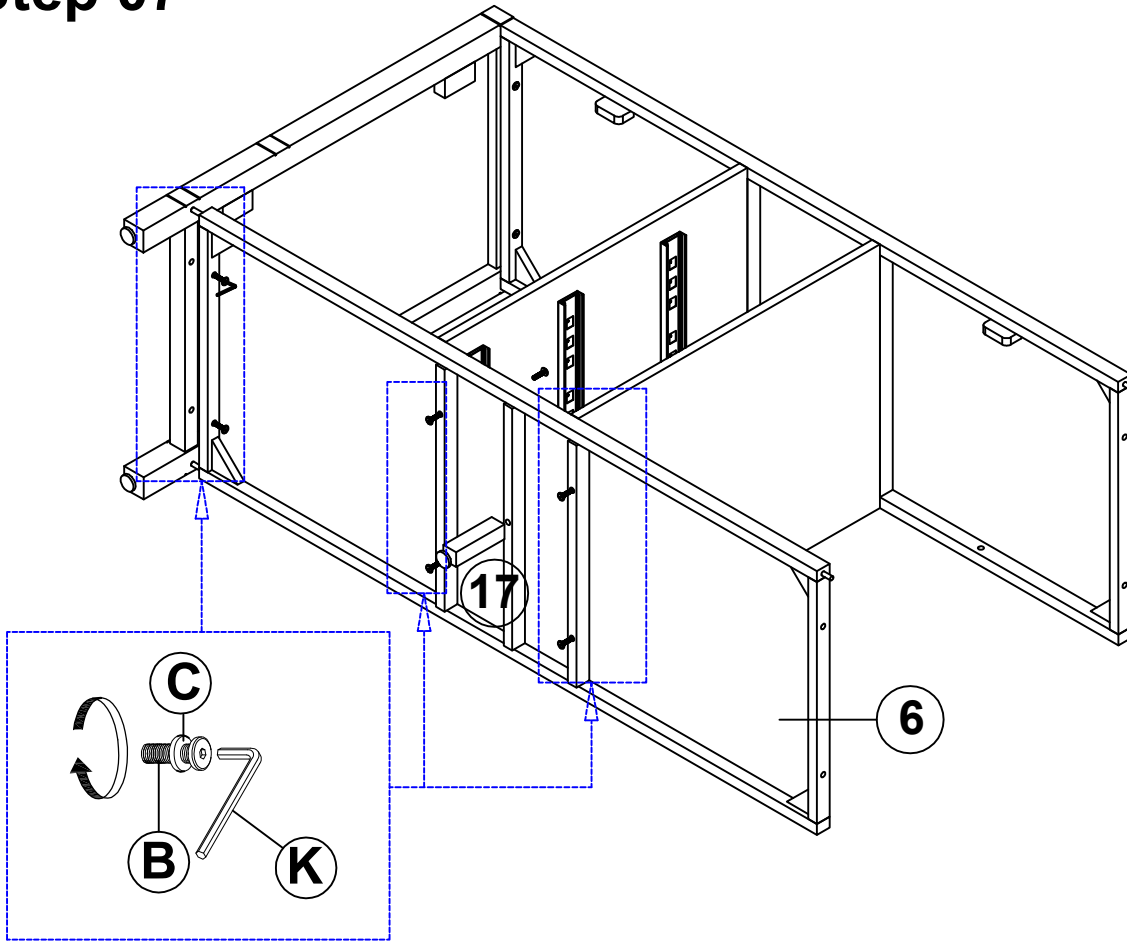


Step 07

B  **07**
M6*45mm Bolt

C  **06**
Ø6*16mm Washer

K  **01**

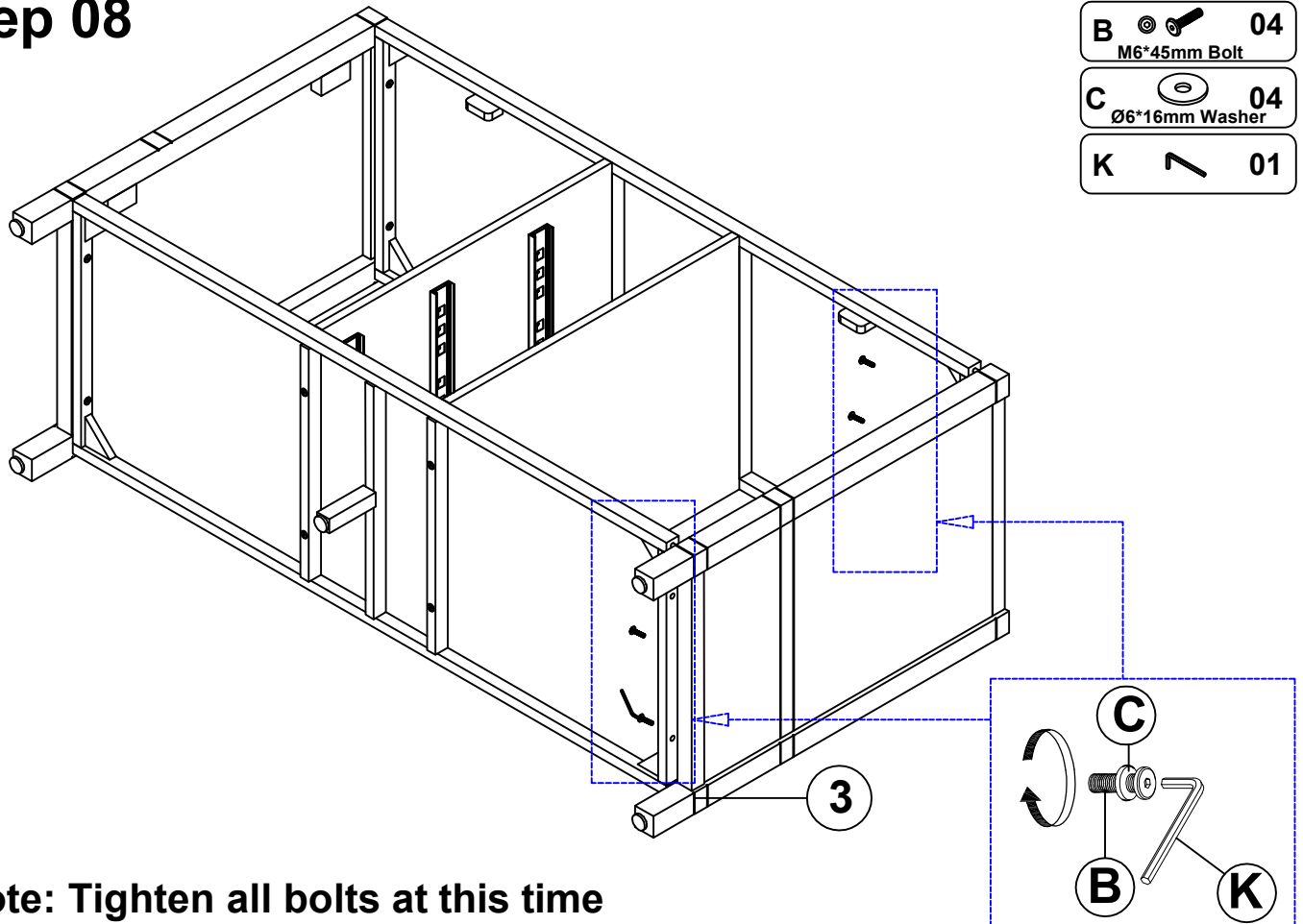


Step 08

B  **04**
M6*45mm Bolt

C  **04**
Ø6*16mm Washer

K  **01**




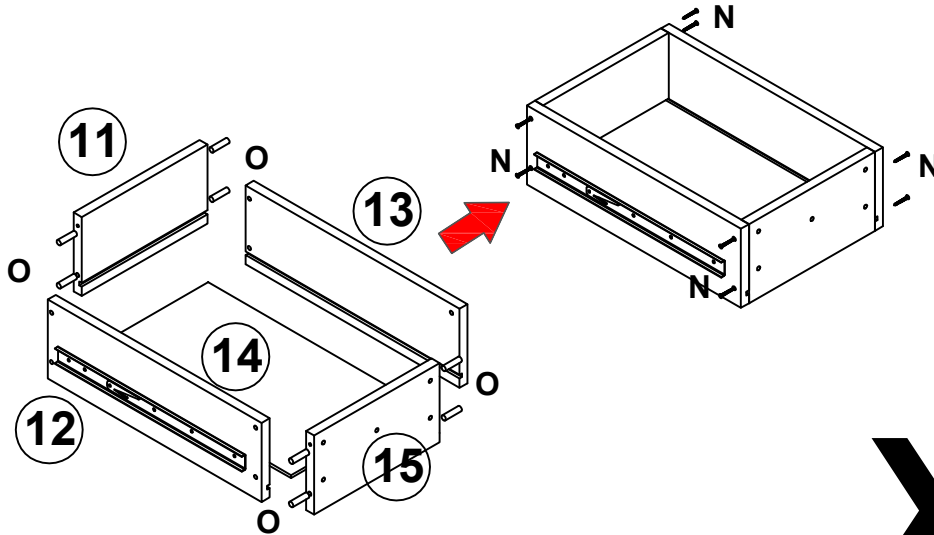
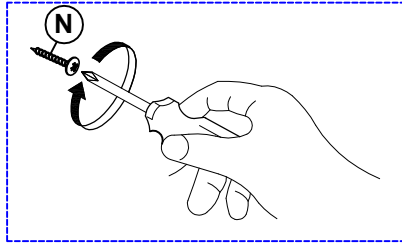
Note: Tighten all bolts at this time

Step 09

N  **24**
4*25mm Screw

O  **24**
Ø6*20mm Wood Dowel

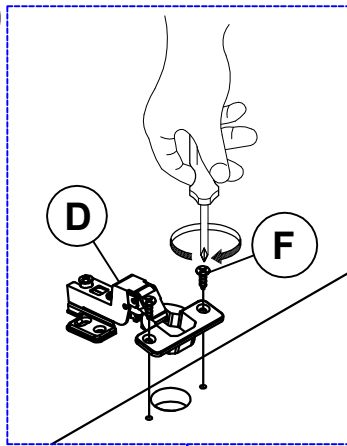
 **01**



X3


Step 10

Hinge1




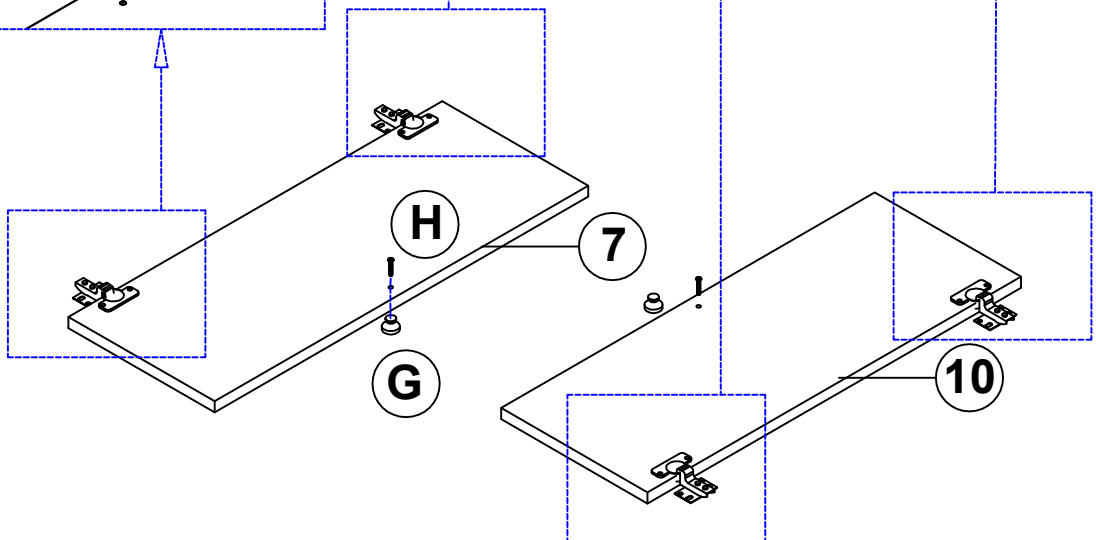
D  **04**
Hinge-1

F  **08**
3.5*15mm Screw

G  **02**

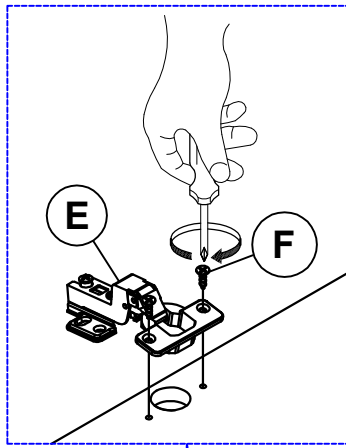
H  **02**
4*25mm Screw

 **01**



Step 11

Hinge2




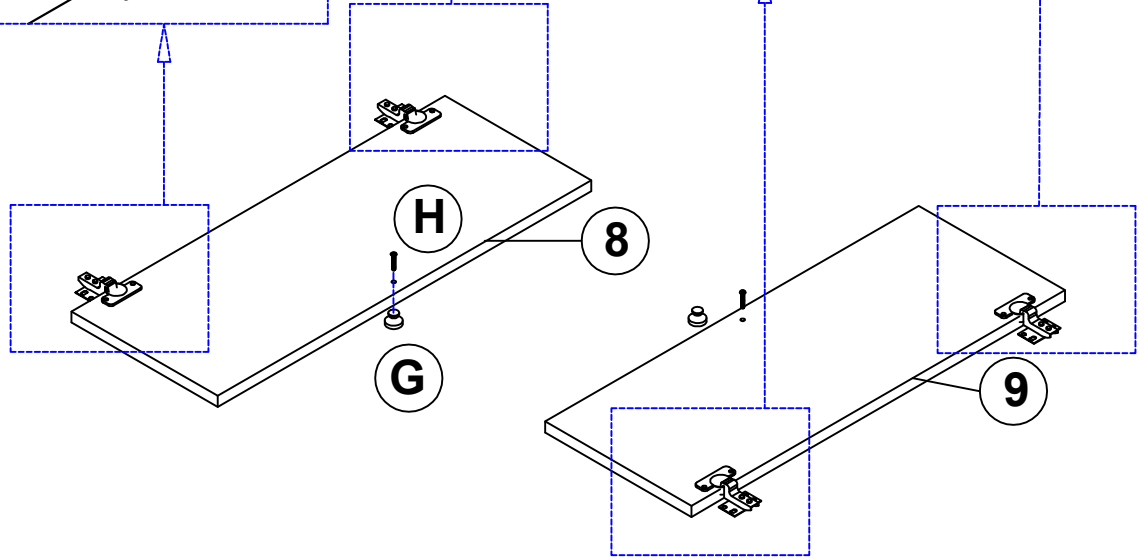
E  04
Hinge-2

F  08
3.5*15mm Screw

G  02

H  02
4*25mm Screw

 01



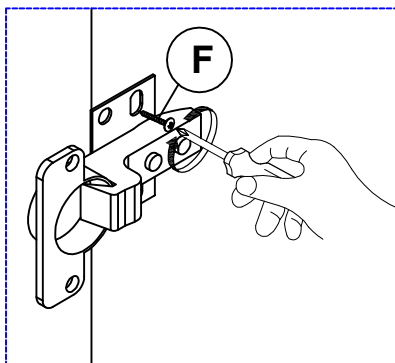
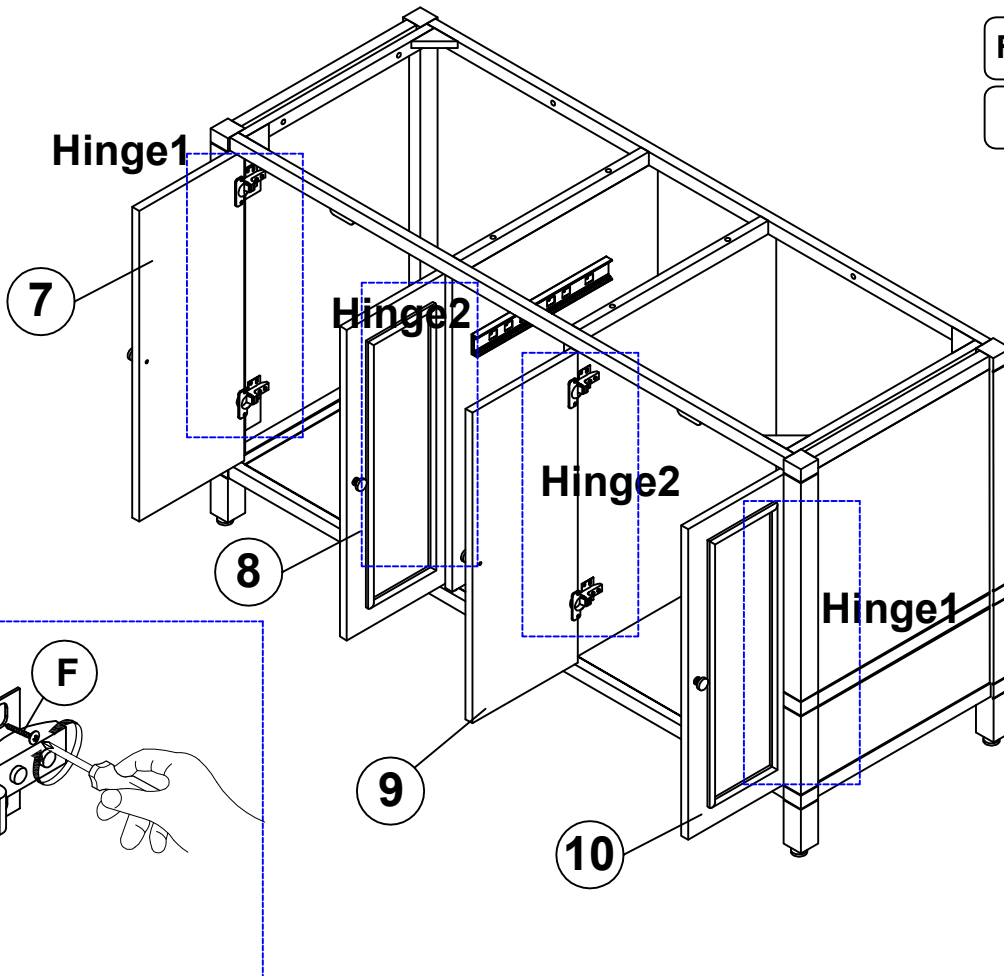
Step 12

Hinge1


Hinge2

Hinge2

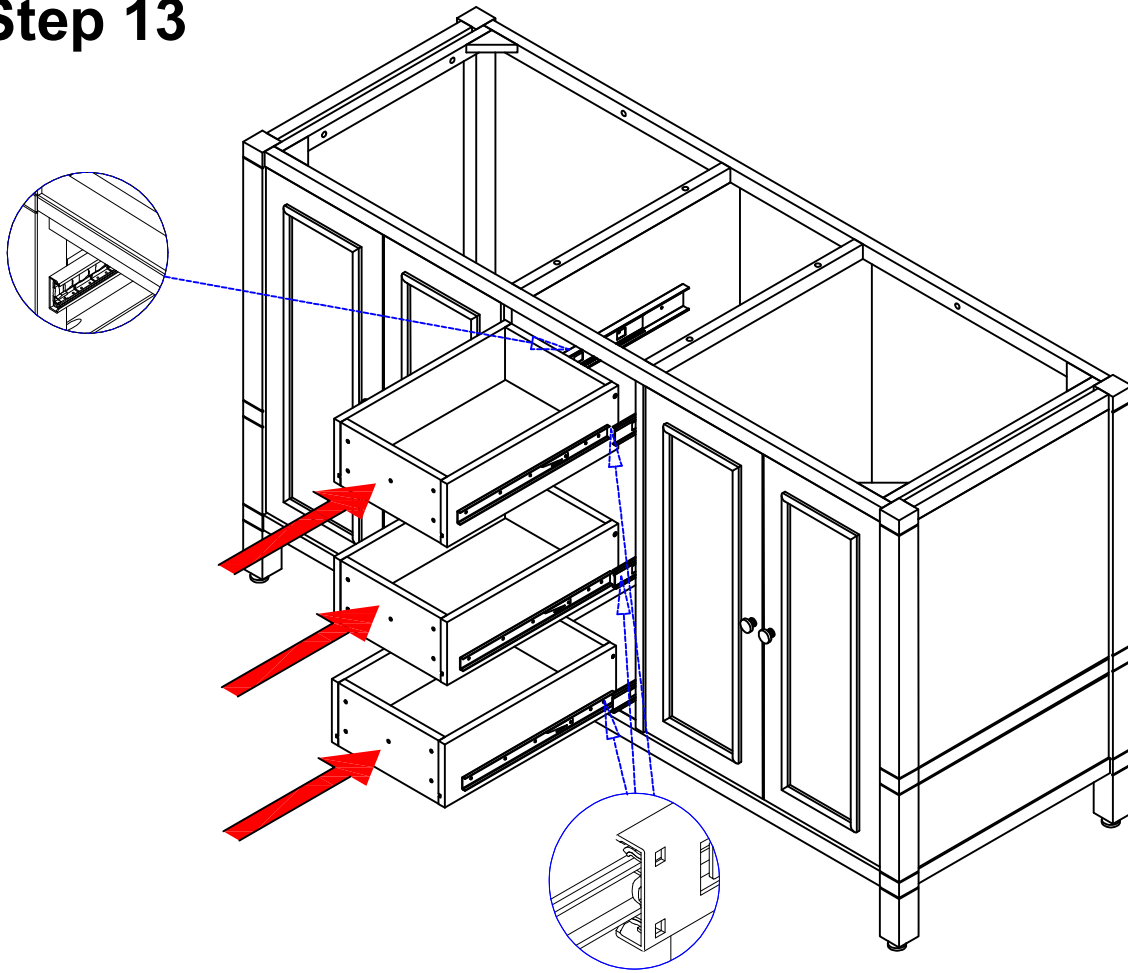
Hinge1



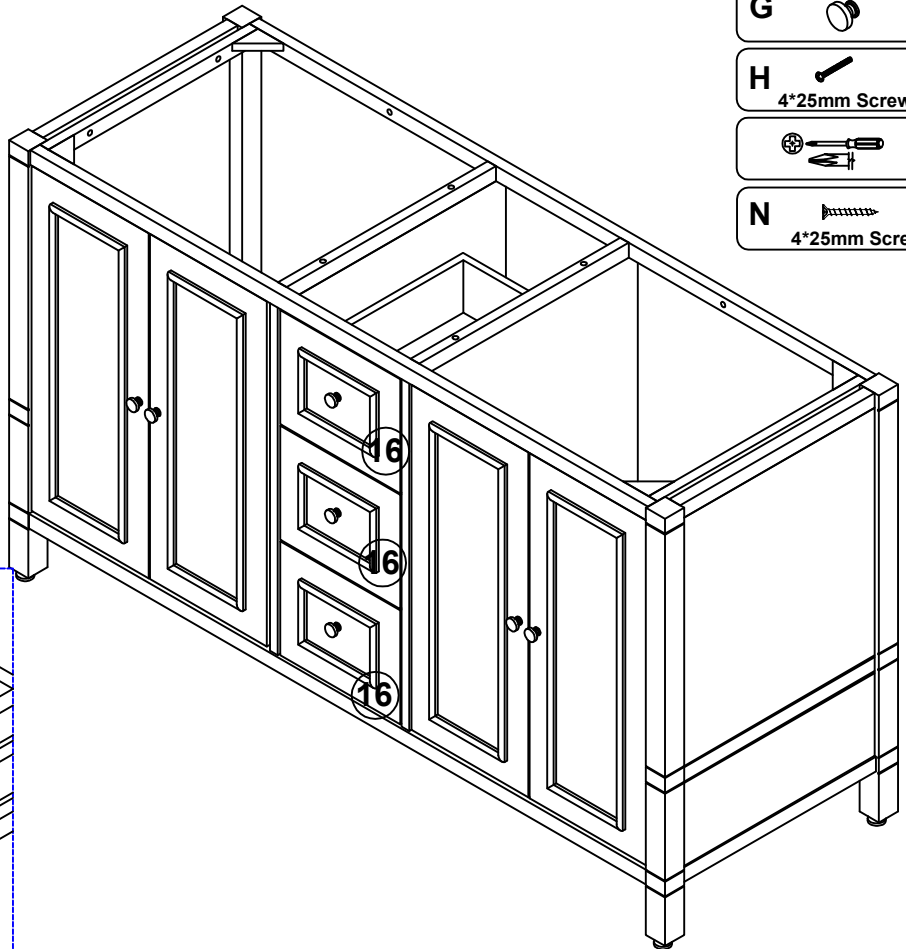
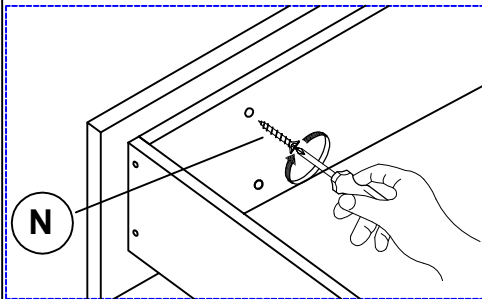
F  48
3.5*15mm Screw





 01

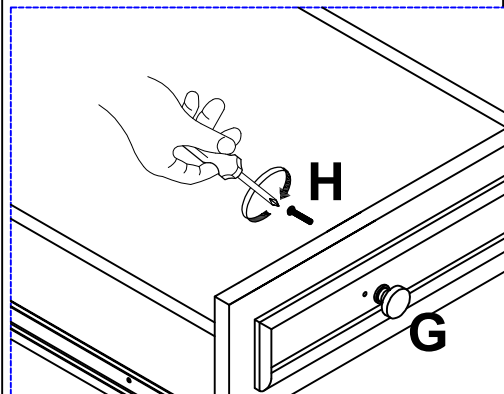
Step 13



Step 14



- G**  **03**
- H**  **03**
4*25mm Screw
-  **01**
- N**  **12**
4*25mm Screw



Step 15

J 4*50mm Screw 02

01

- . Mark the location of the Studs in the wall on the stretcher rail.
- . Drill a 1/16" thru hole in the center of the Stretcher Rail at the location of the studs in the wall.
- . Secure the Vanity to the wall using screws (J)
Make sure the screws align with the wall.

