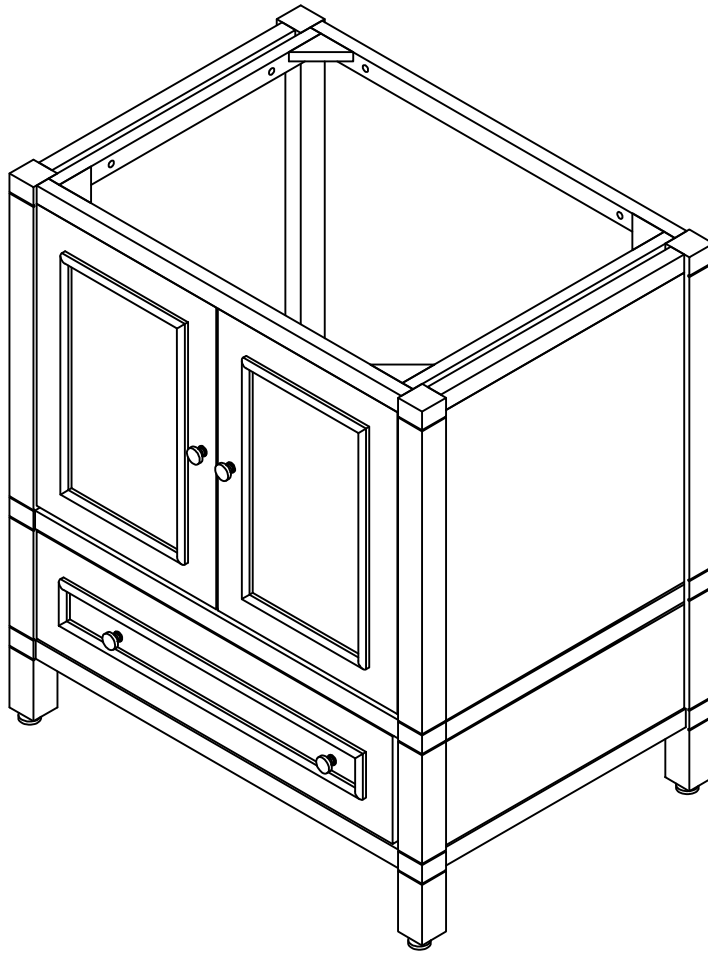


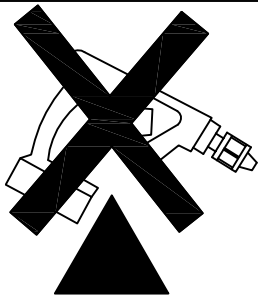
# ASSEMBLY INSTRUCTION

## 36" Vanity

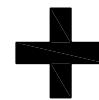
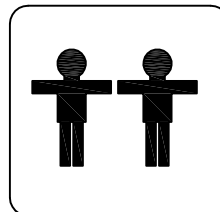


### REPLACEMENT PARTS

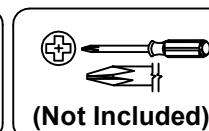
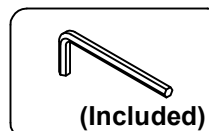
Please do not contact the company purchased from as we can help you faster.  
Order replacement parts and hardware at " [www.boltonfurniture.com](http://www.boltonfurniture.com) "



. Use of power tool to assemble this product will invalidate any claim and damage this product making it unsafe !!!  
. Please assemble on a clean soft surface to avoid damage.

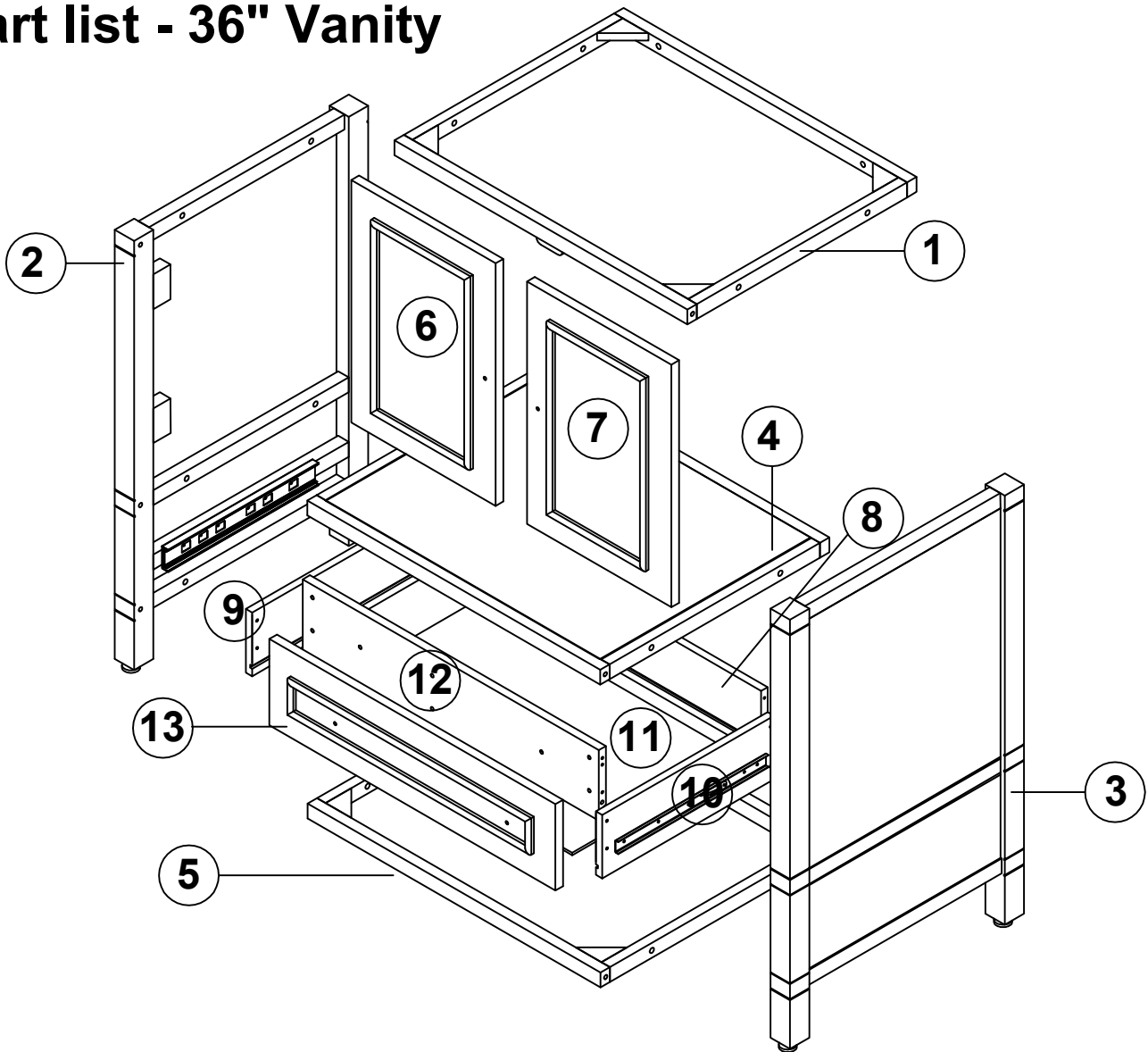


### Tools Required



[www.boltonfurniture.com](http://www.boltonfurniture.com)

# Part list - 36" Vanity




Identifying the hardware-Identify the hardware using the illustrations below

**A**  **6**  
Ø8\*30mm Wood Dowel

**B**  **12**  
M6\*45mm Bolt

**C**  **12**  
Ø6\*16mm Washer

**D**  **04**

**E**  **24**  
3.5\*15mm Screw

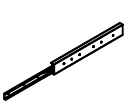
**F**  **04**

**G**  **04**  
4\*25mm Screw

**H**  **04**

**I**  **02**  
4\*50mm Screw

**J**  **08**  
Ø6\*20mm Wood Dowel

**K**  **02**

**L**  **16**  
3.5\*12mm Screw

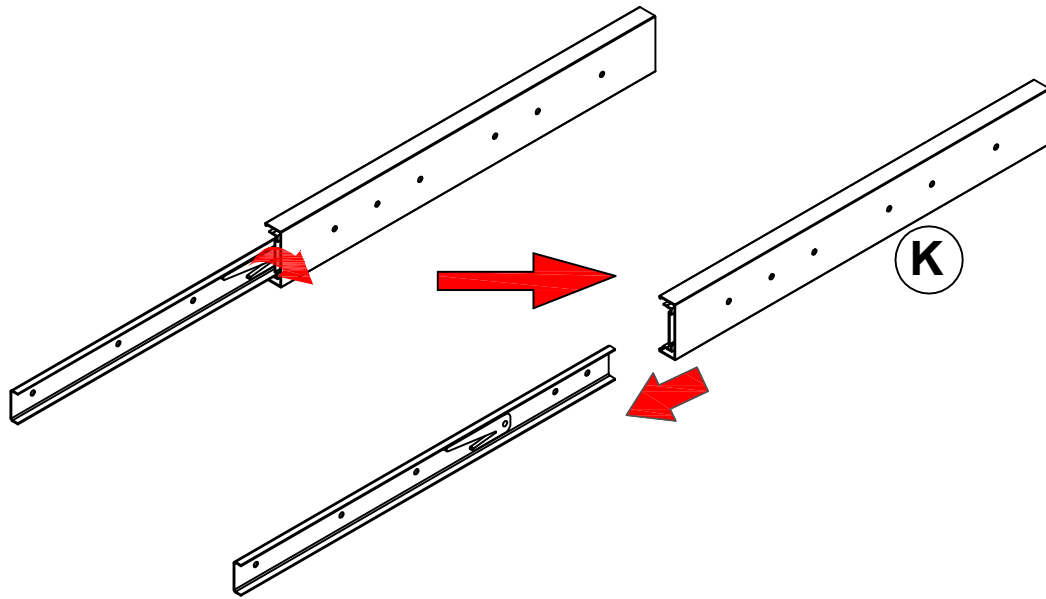
**M**  **14**  
4\*25mm Screw

**N**  **01**

[www.boltonfurniture.com](http://www.boltonfurniture.com)

# Step 01


K  02

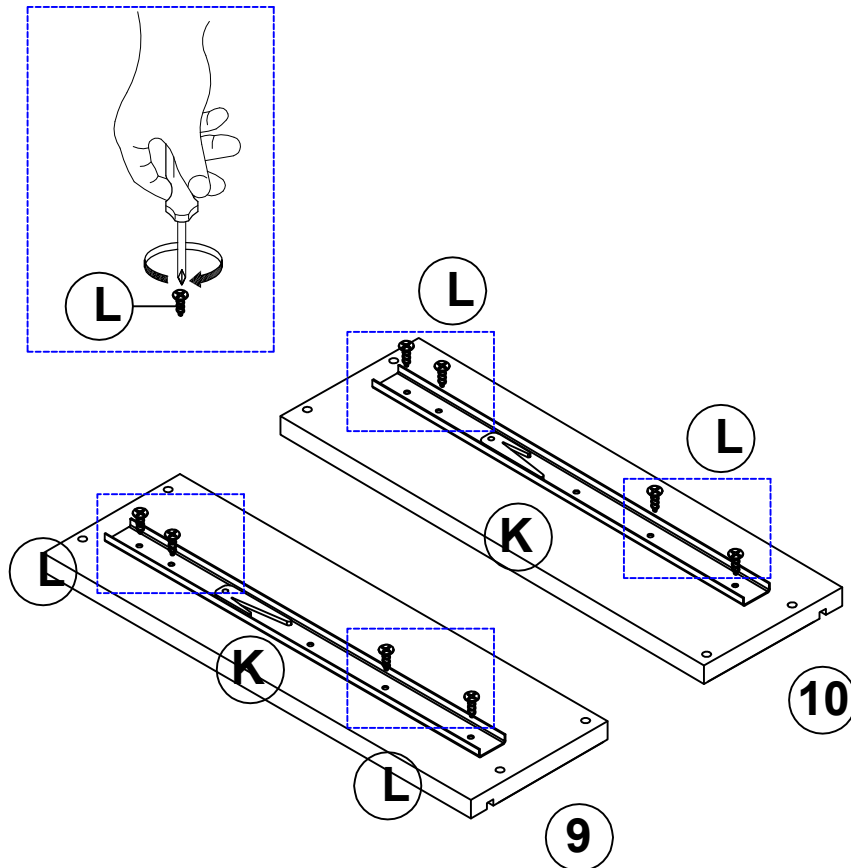


# X2

# Step 02

L  08  
3.5\*12mm Screw

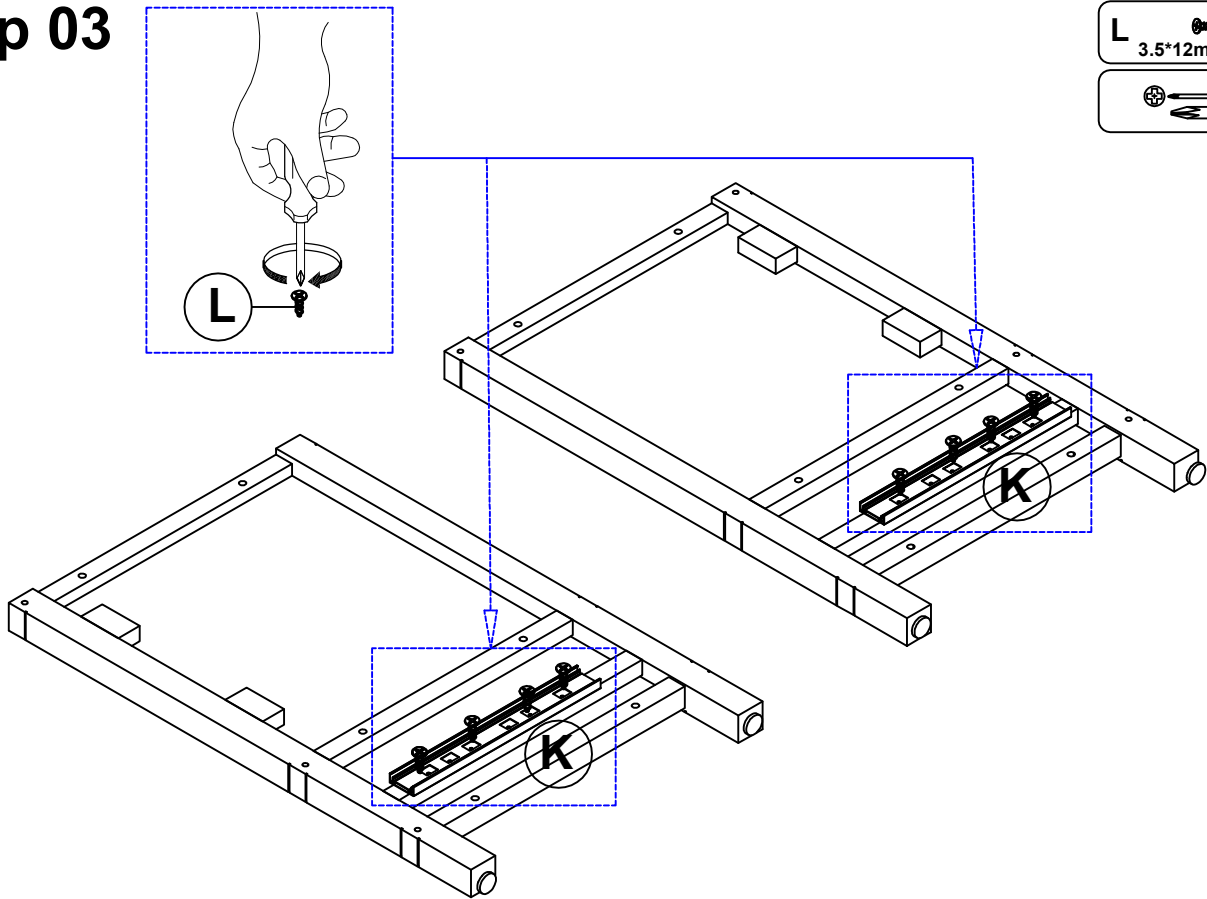
 01



# Step 03

L 3.5\*12mm Screw 08

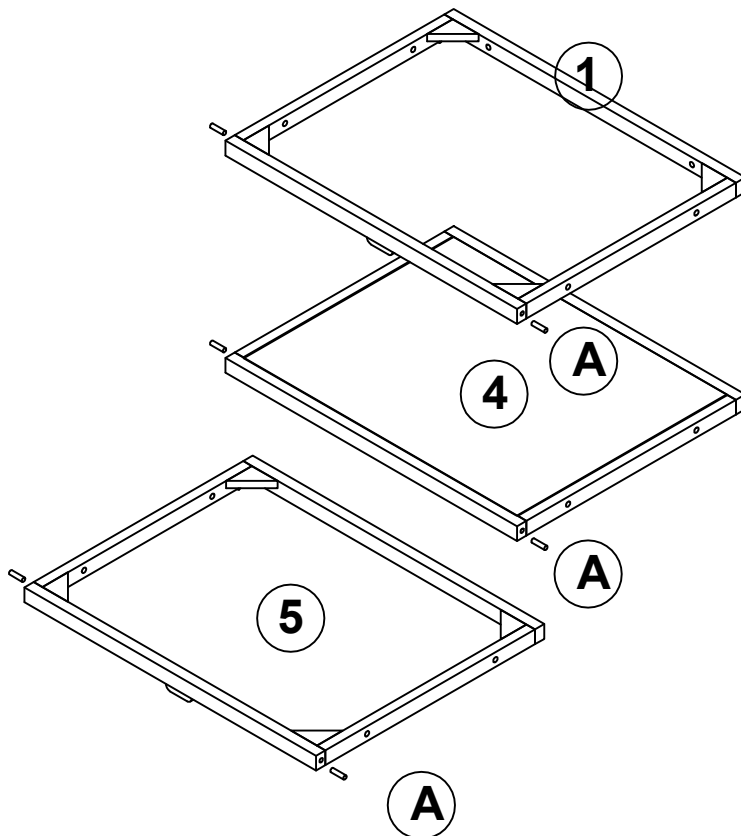
01



# Step 04

A 06  
Ø8\*30mm Wood Dowel

01  
(Not Included)

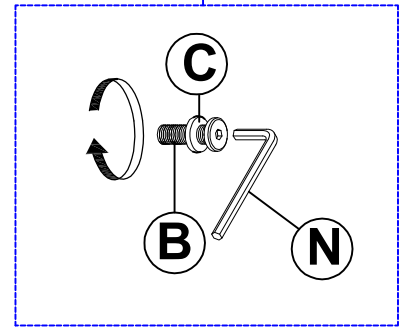
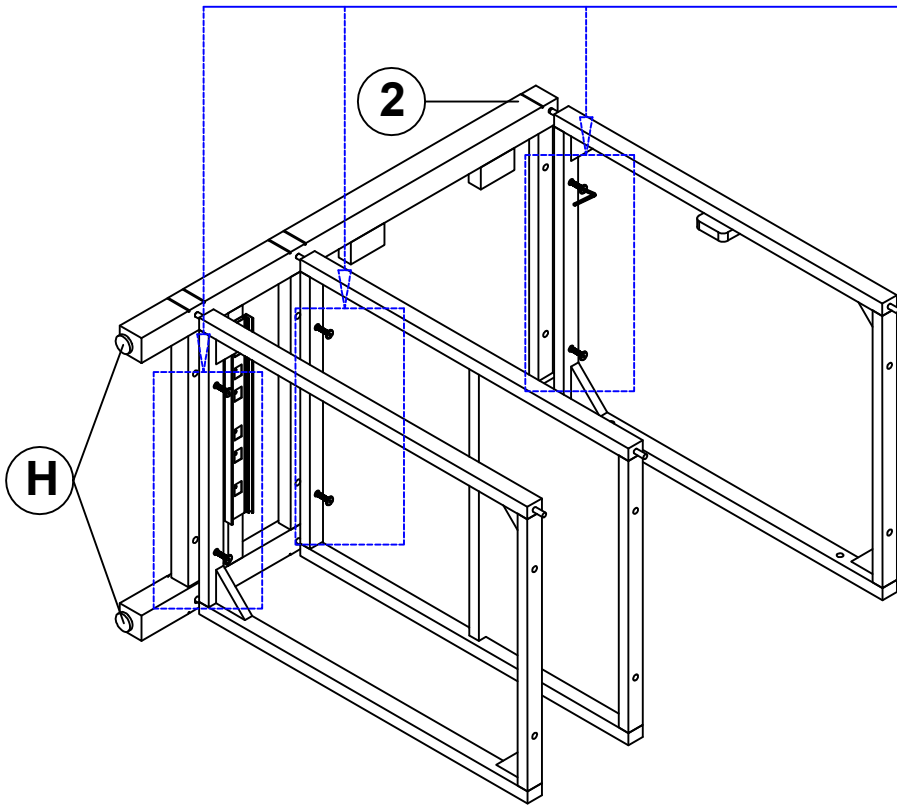


# Step 05

**B**  **06**  
M6\*45mm Bolt

**C**  **06**  
Ø6\*16mm Washer

**N**  **01**



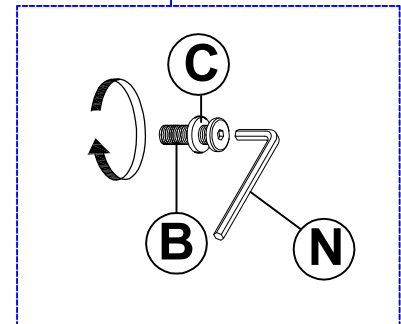
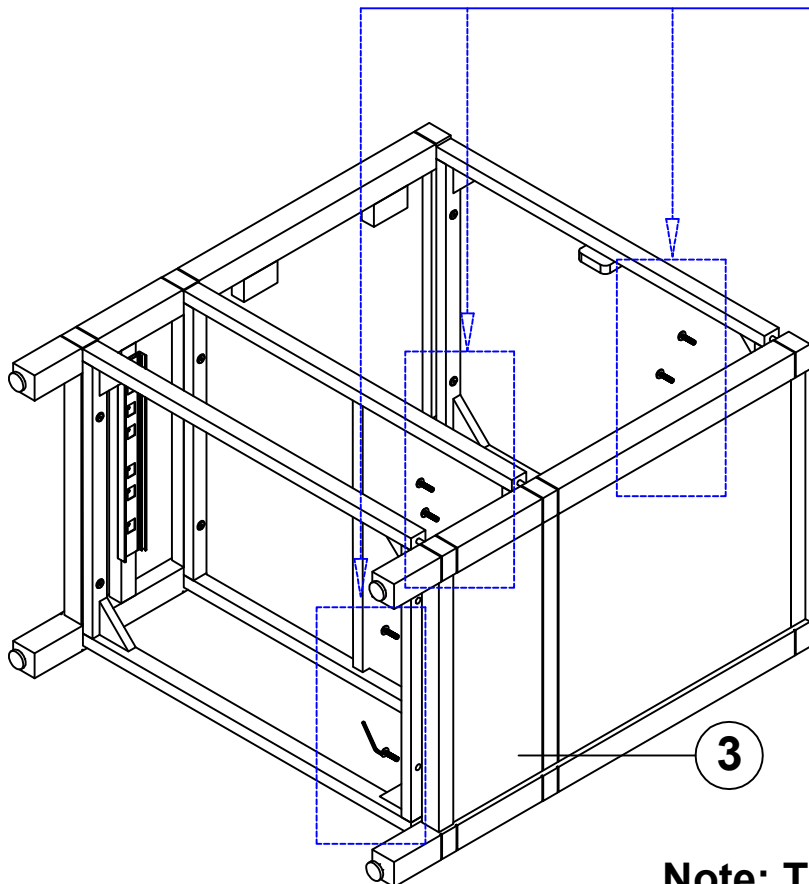
**Note: Do not tighten bolts firmly at this time**

# Step 06

**B**  **06**  
M6\*45mm Bolt

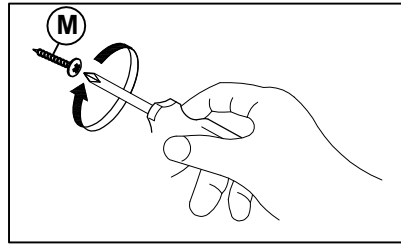
**C**  **06**  
Ø6\*16mm Washer

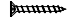


**N**  **01**

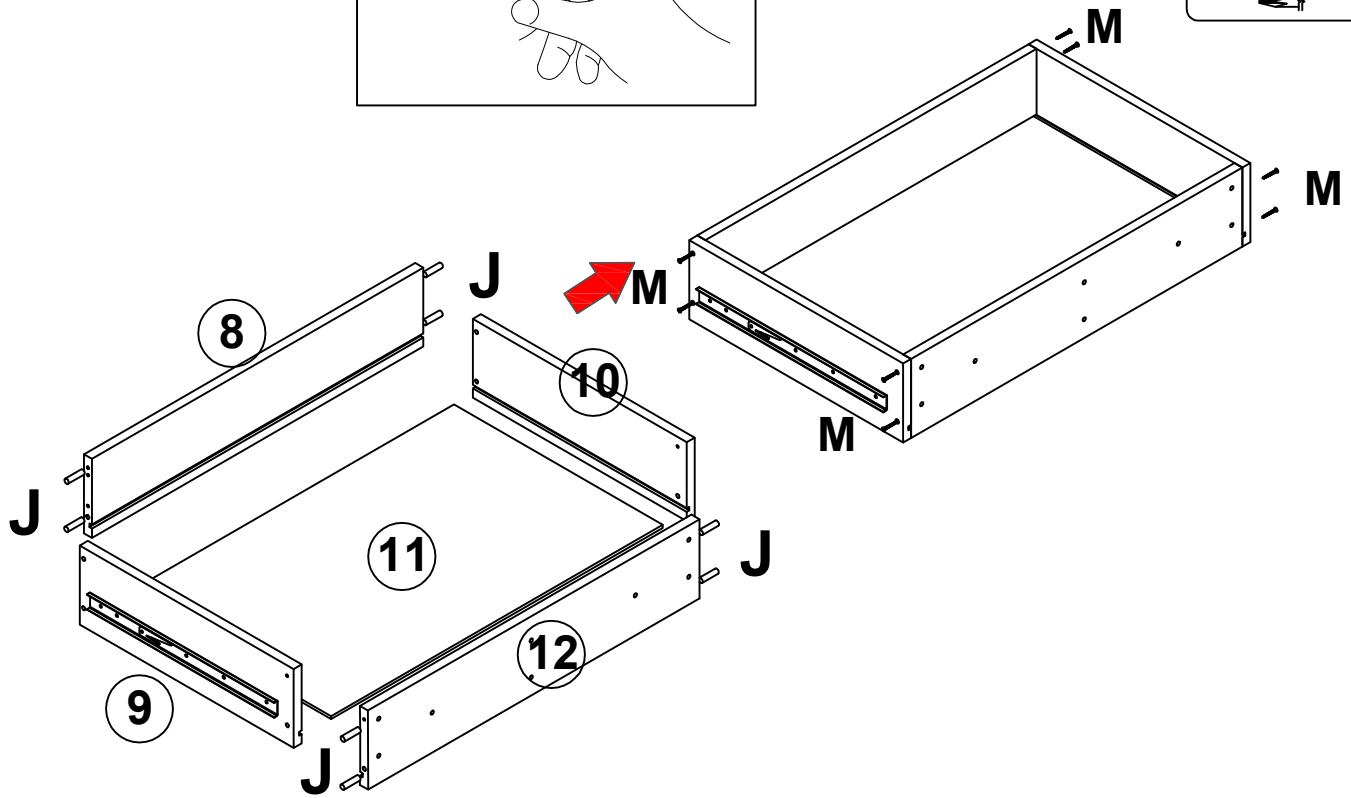


**Note: Tighten all bolts at this time**

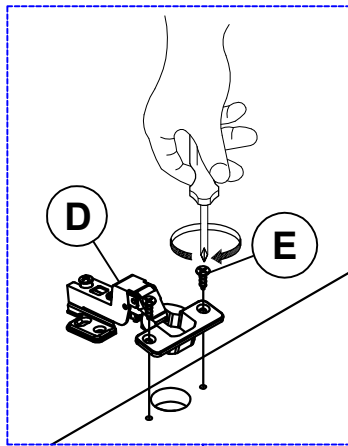
# Step 07








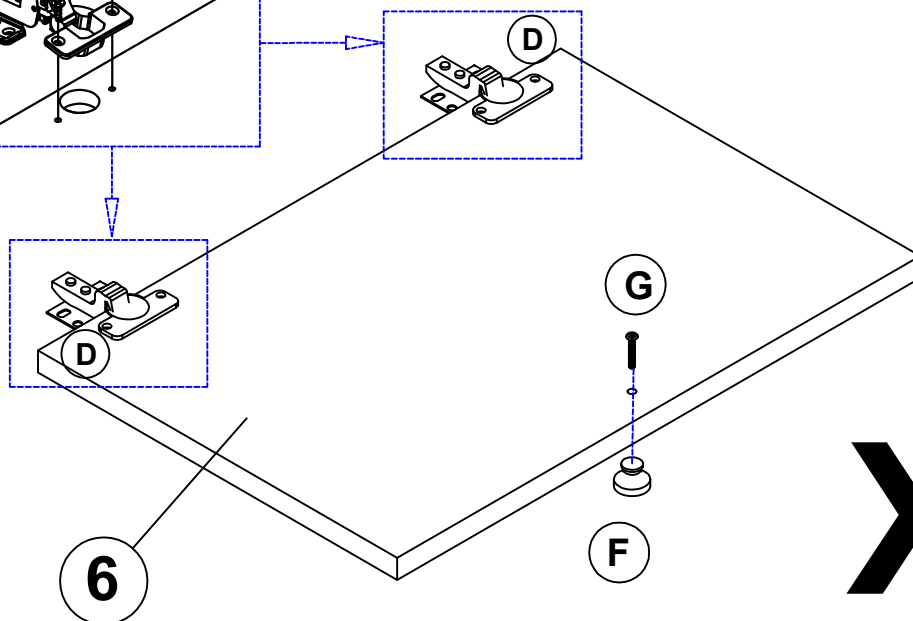
- M**  **08**  
4\*25mm Screw
- J**  **08**  
Ø6\*20mm Wood Dowel
-  **01**



# Step 08




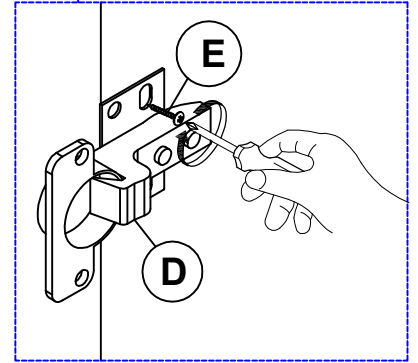
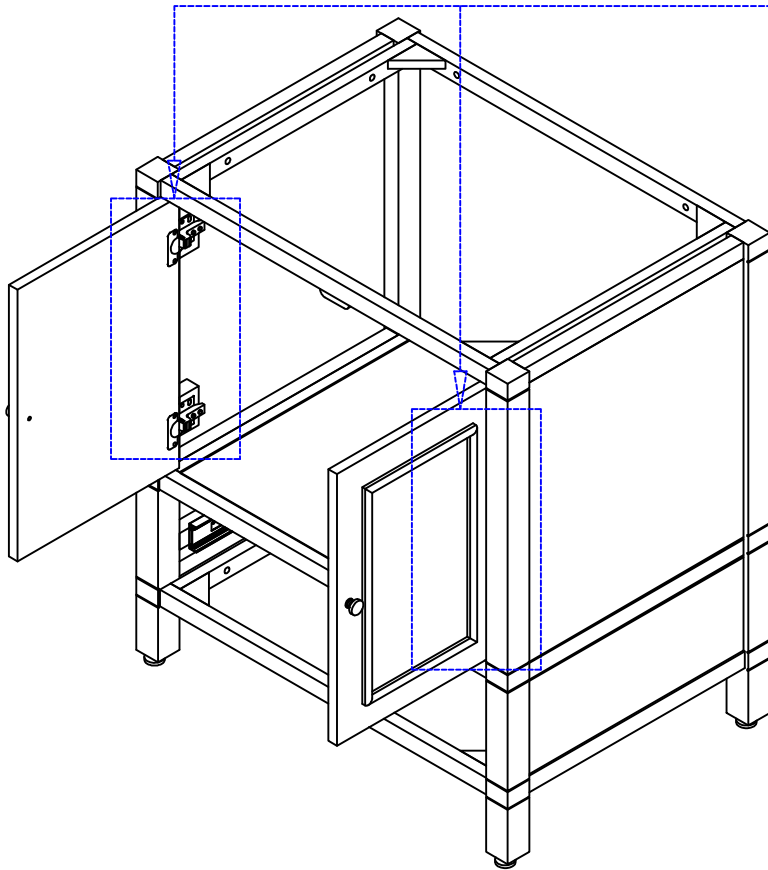
- D**  **04**
- E**  **08**  
3.5\*15mm Screw
- F**  **02**
- G**  **02**  
4\*25mm Screw
-  **01**



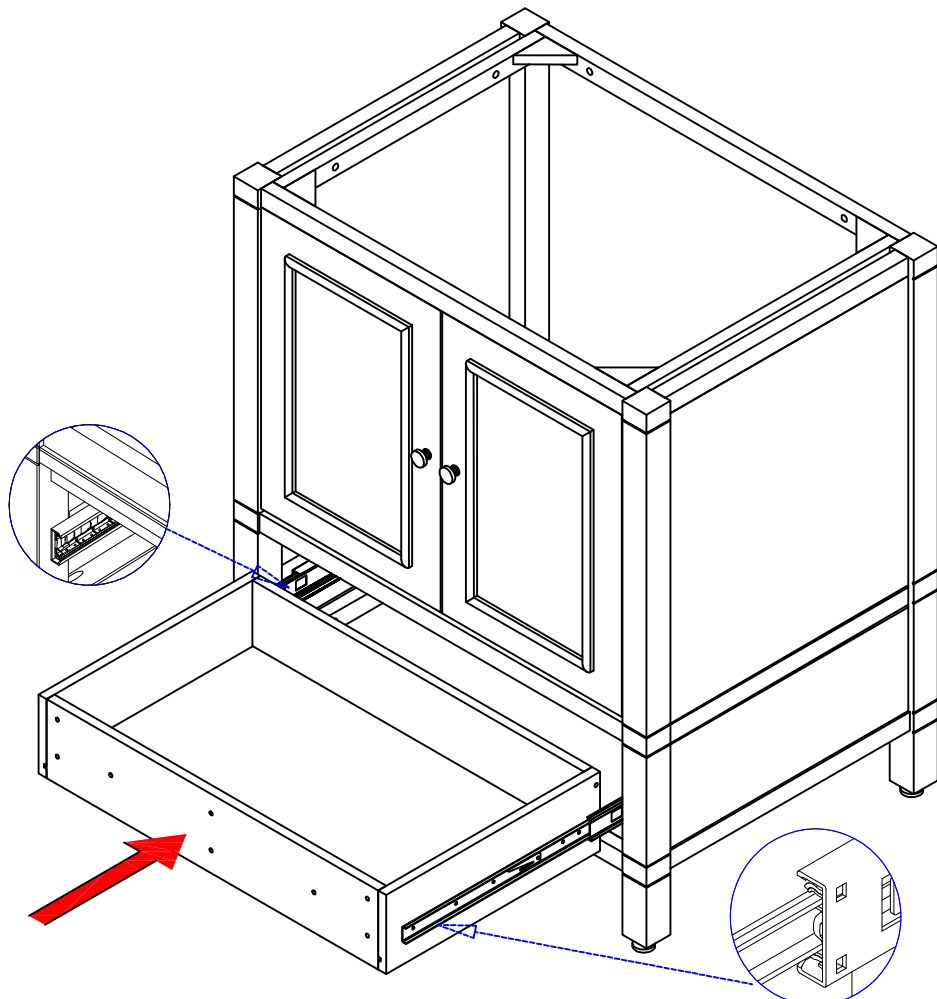
# Step 09

E  16  
3.5\*15mm Screw

 01




# Step 10



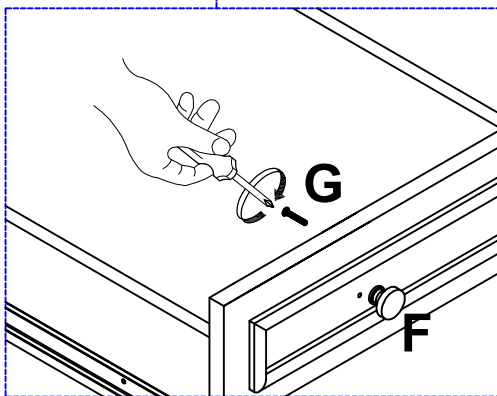
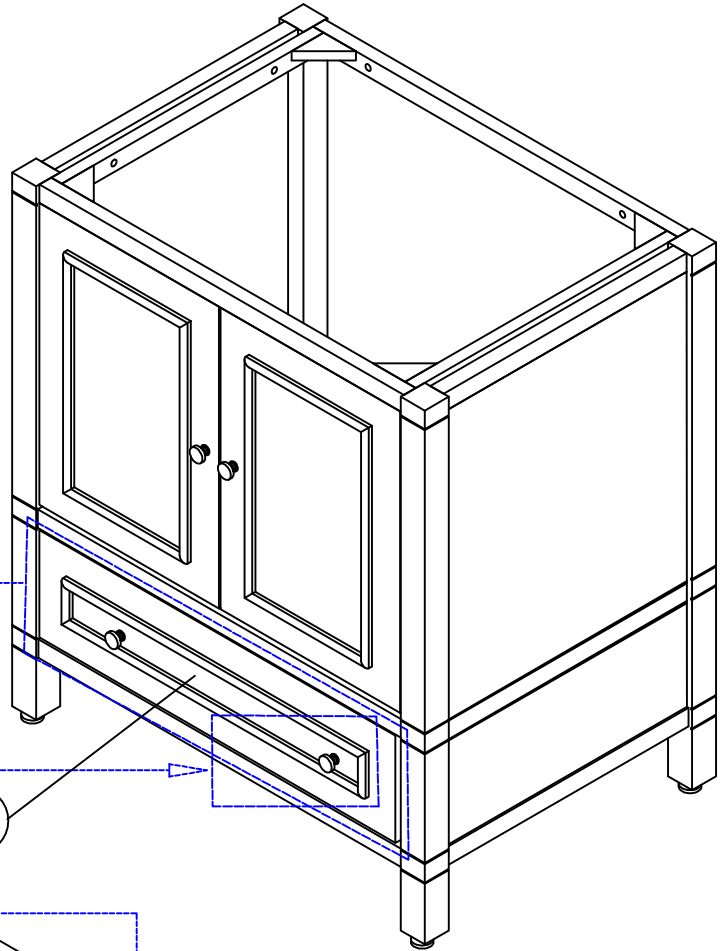
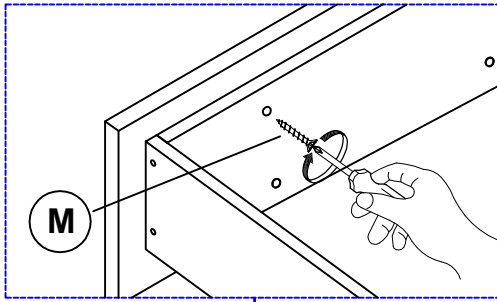
# Step 11

F  02

G  02  
4\*25mm Screw

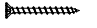
 01

M  06  
4\*25mm Screw





# Step 12

I  02  
4\*50mm Screw

 01

- . Mark the location of the Studs in the wall on the stretcher rail.
- . Drill a 1/16" thru hole in the center of the Stretcher Rail at the location of the studs in the wall.
- . Secure the Vanity to the wall using screws (I)  
Make sure the screws align with the wall.

