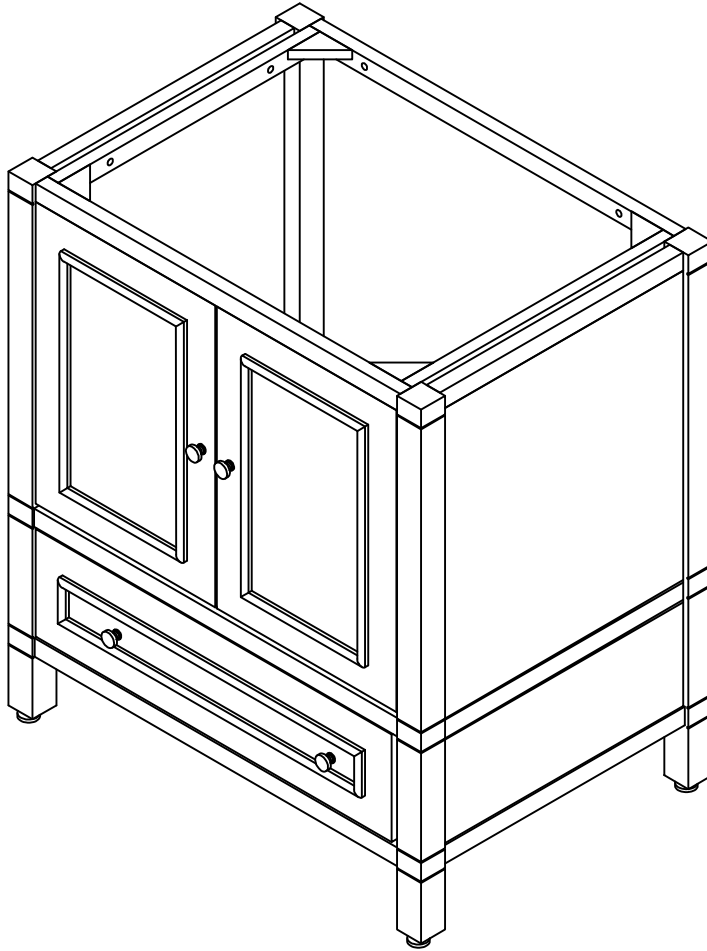


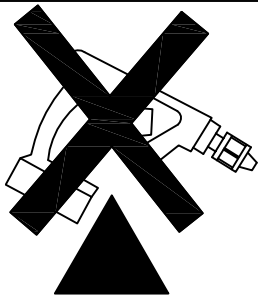
# ASSEMBLY INSTRUCTION

## 30" Vanity

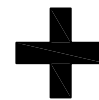
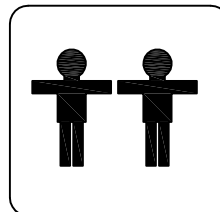


### REPLACEMENT PARTS

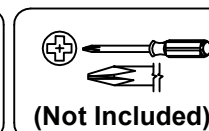
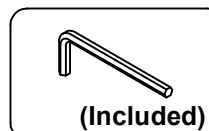
Please do not contact the company purchased from as we can help you faster.  
Order replacement parts and hardware at " [www.boltonfurniture.com](http://www.boltonfurniture.com) "



. Use of power tool to assemble this product will invalidate any claim and damage this product making it unsafe !!!  
. Please assemble on a clean soft surface to avoid damage.

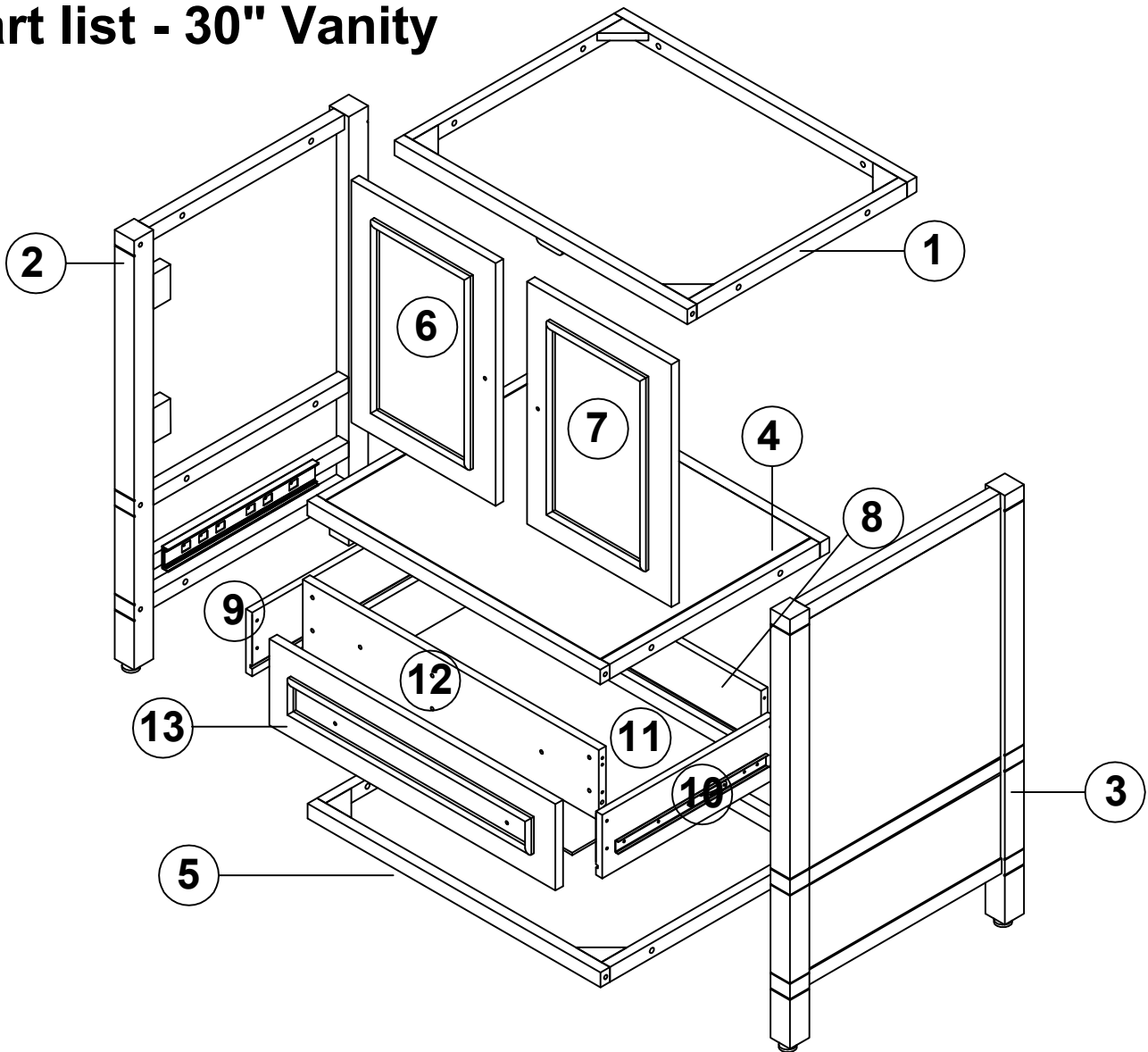


### Tools Required




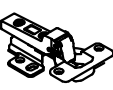




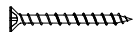

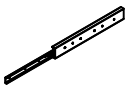

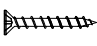
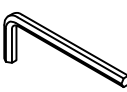



[www.boltonfurniture.com](http://www.boltonfurniture.com)

# Part list - 30" Vanity



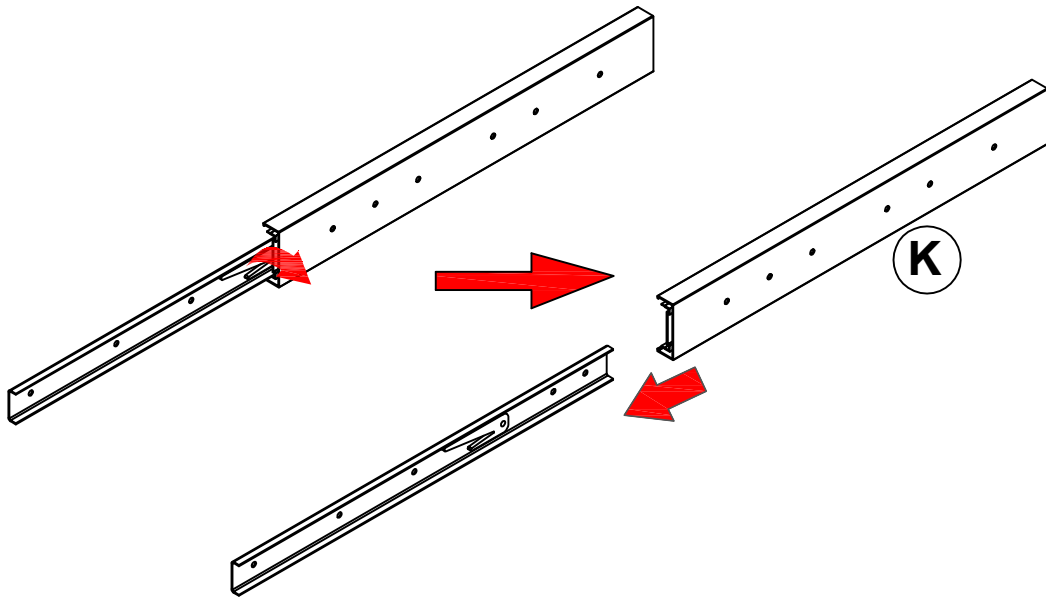
Identifying the hardware-Identify the hardware using the illustrations below

<b>A</b>  <b>06</b> Ø8*30mm Wood Dowel	<b>B</b>  <b>12</b> M6*45mm Bolt	<b>C</b>  <b>12</b> Ø6*16mm Washer
<b>D</b>  <b>04</b>	<b>E</b>  <b>24</b> 3.5*15mm Screw	<b>F</b>  <b>04</b>
<b>G</b>  <b>04</b> 4*25mm Screw	<b>H</b>  <b>04</b>	<b>I</b>  <b>02</b> 4*50mm Screw
<b>J</b>  <b>08</b> Ø6*20mm Wood Dowel	<b>K</b>  <b>02</b>	<b>L</b>  <b>16</b> 3.5*12mm Screw
<b>M</b>  <b>14</b> 4*25mm Screw	<b>N</b>  <b>01</b>	<b>O</b>  <b>02</b> 4*40mm Anchor

[www.boltonfurniture.com](http://www.boltonfurniture.com)


# Step 01


K  02

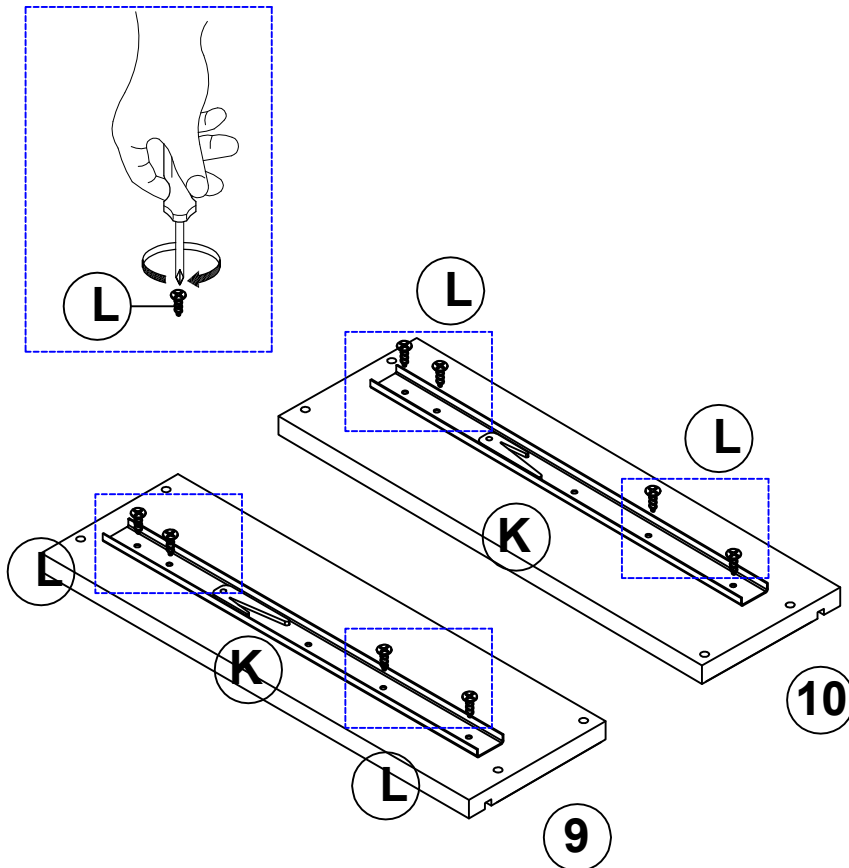


# X2

# Step 02

L  08  
3.5\*12mm Screw

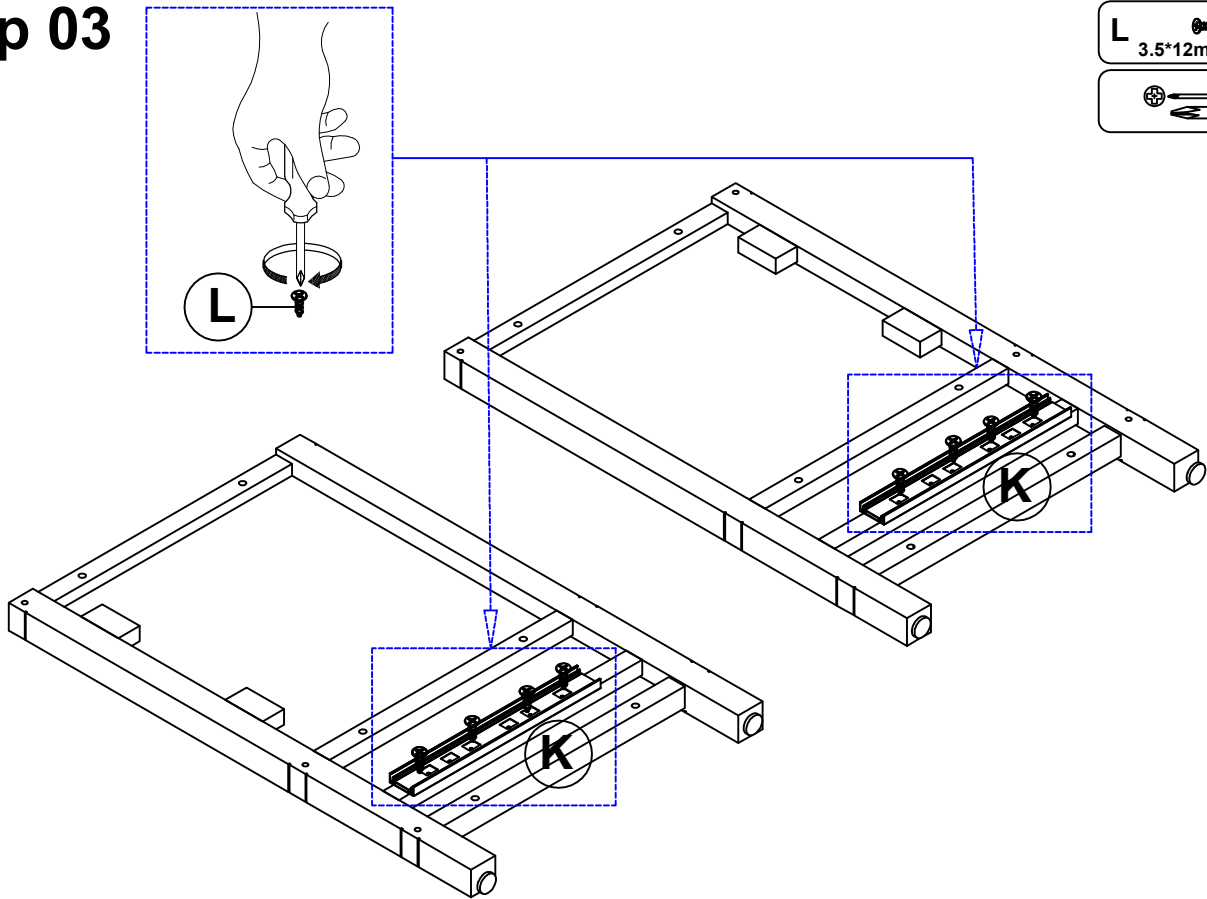
 01



# Step 03

L 3.5\*12mm Screw 08

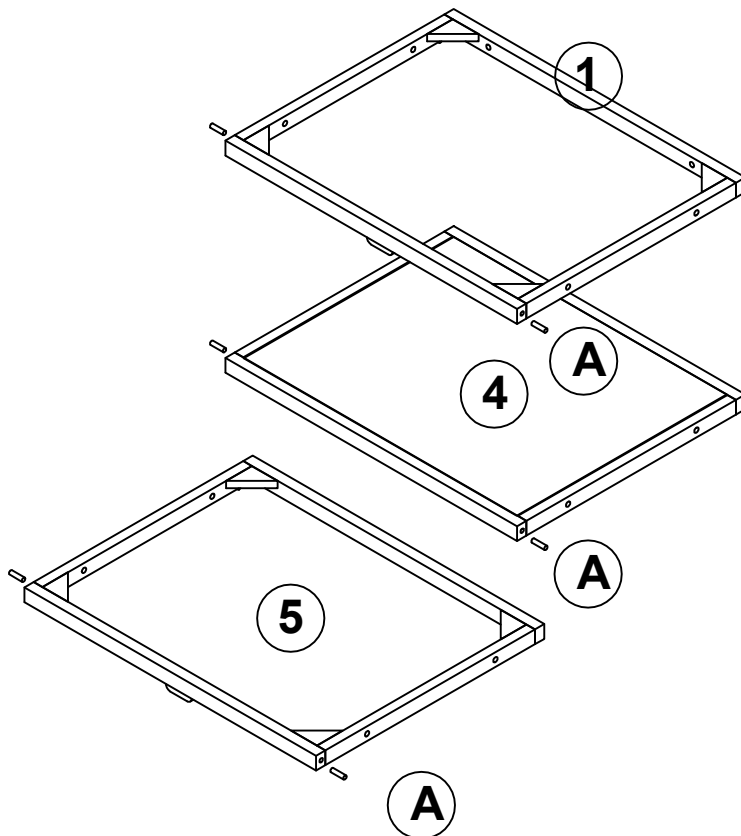
01



# Step 04

A 06  
Ø8\*30mm Wood Dowel

01  
(Not Included)

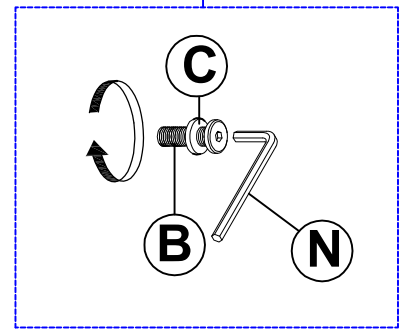
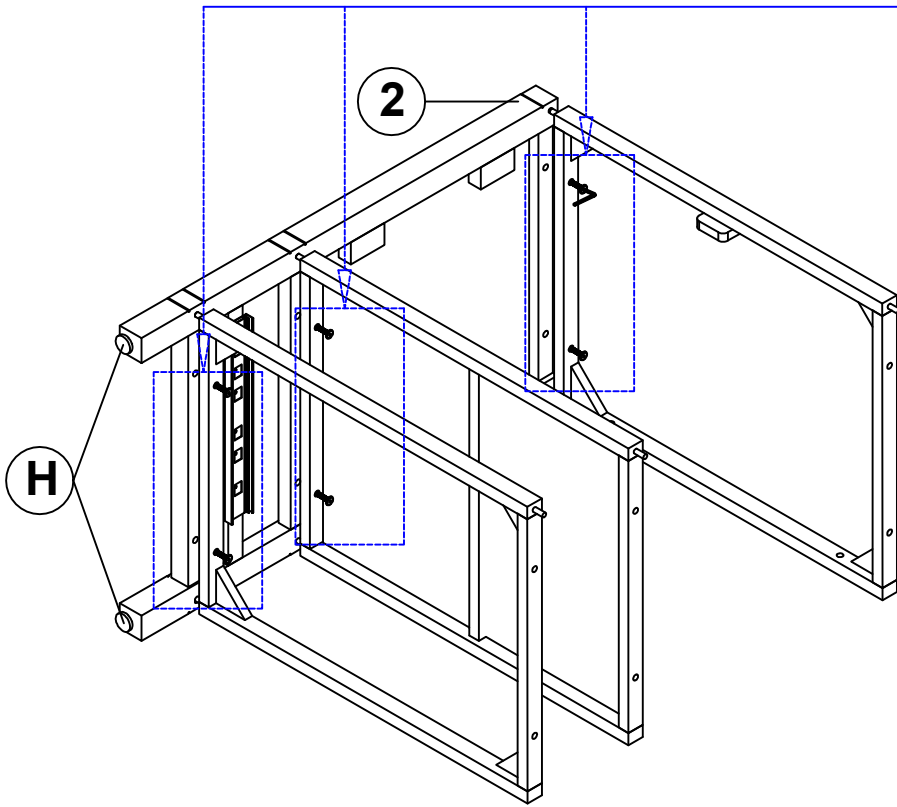


# Step 05

**B**  **06**  
M6\*45mm Bolt

**C**  **06**  
Ø6\*16mm Washer

**N**  **01**



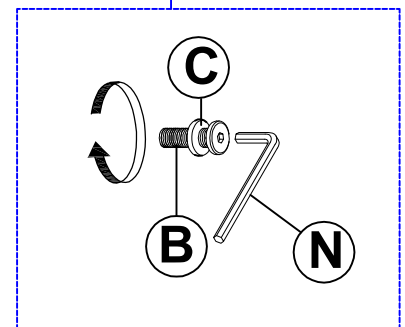
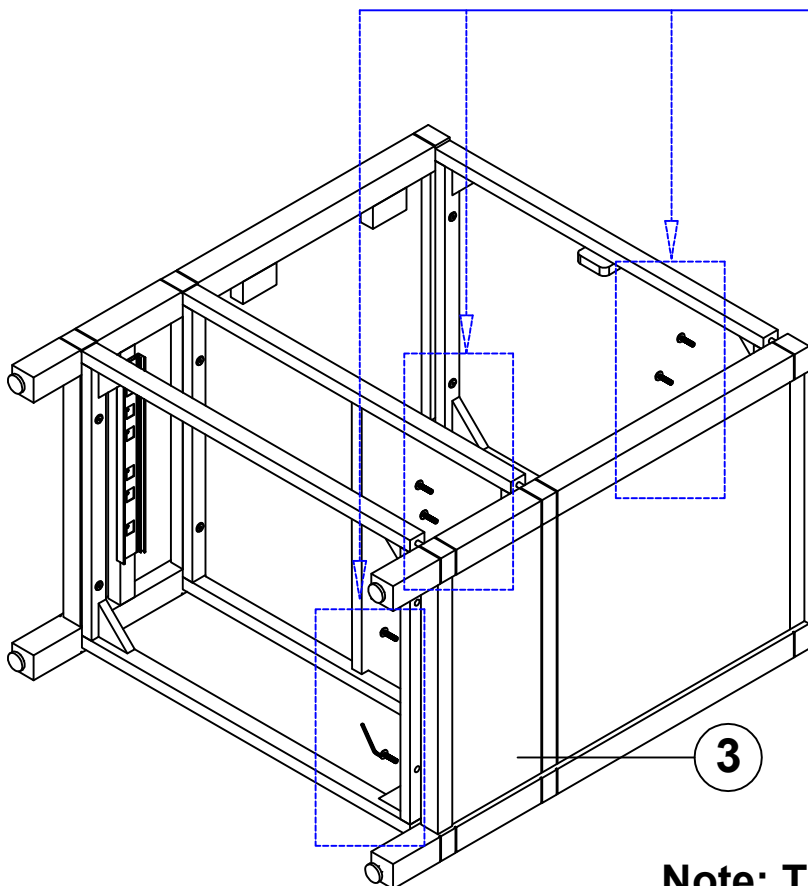
**Note: Do not tighten bolts firmly at this time**

# Step 06

**B**  **06**  
M6\*45mm Bolt

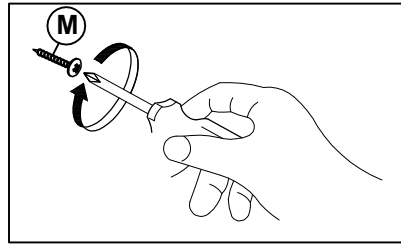
**C**  **06**  
Ø6\*16mm Washer

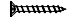
**N**  **01**




**Note: Tighten all bolts at this time**

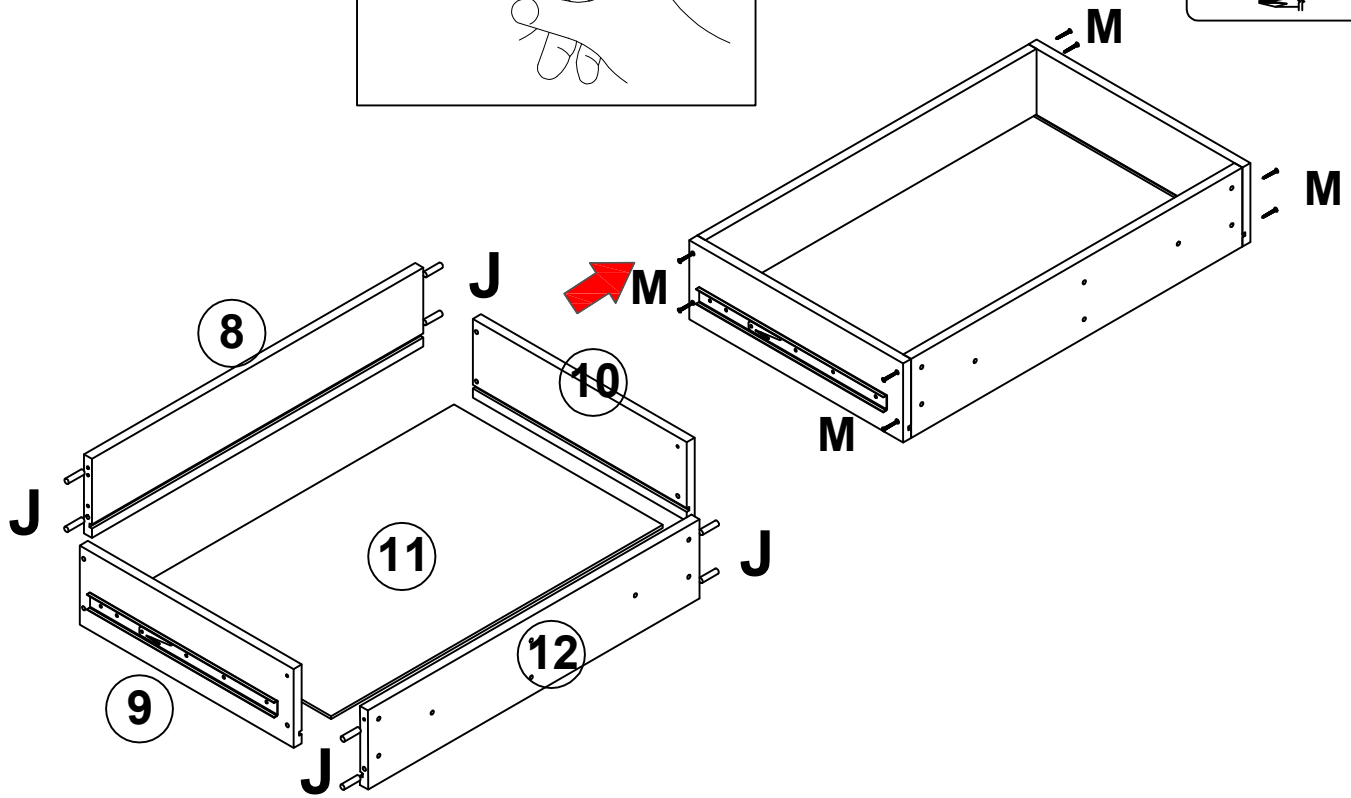
# Step 07



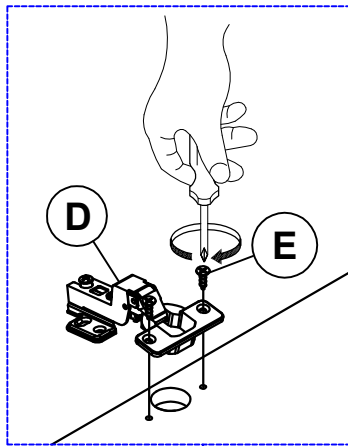
**M**  **08**  
4\*25mm Screw

**J**  **08**  
Ø6\*20mm Wood Dowel

 **01**



# Step 08



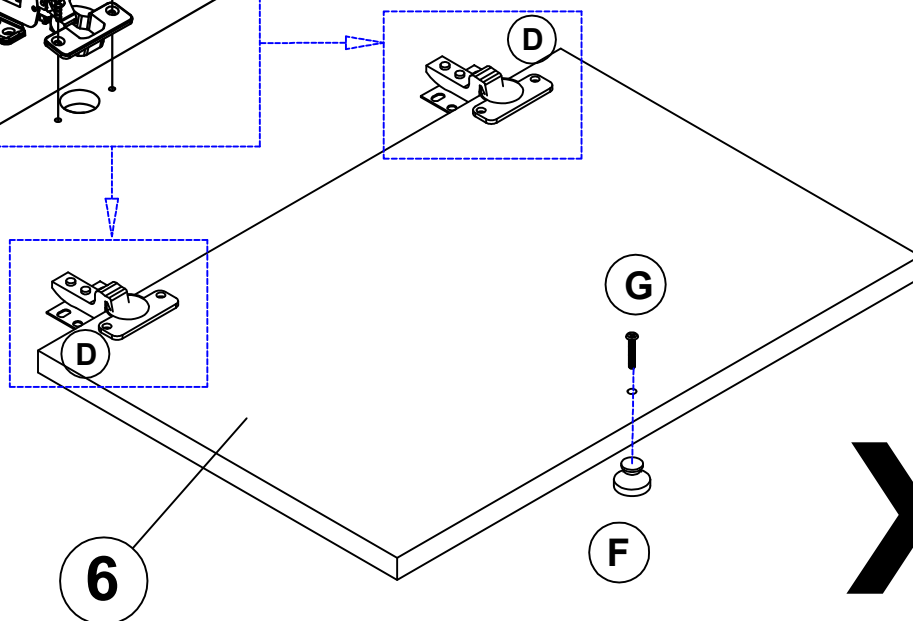
**D**  **04**

**E**  **08**  
3.5\*15mm Screw

**F**  **02**

**G**  **02**  
4\*25mm Screw


 **01**

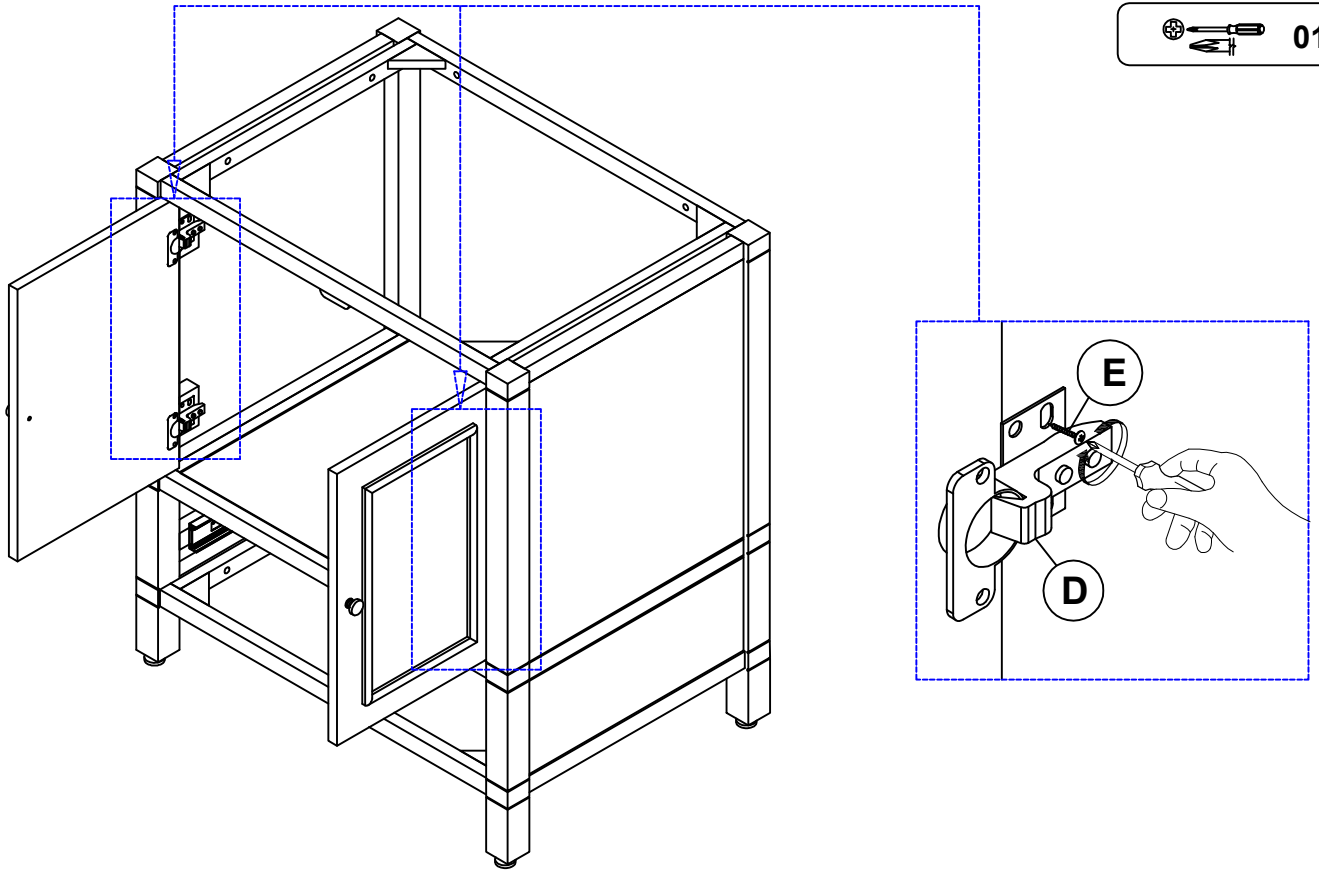


**X2**

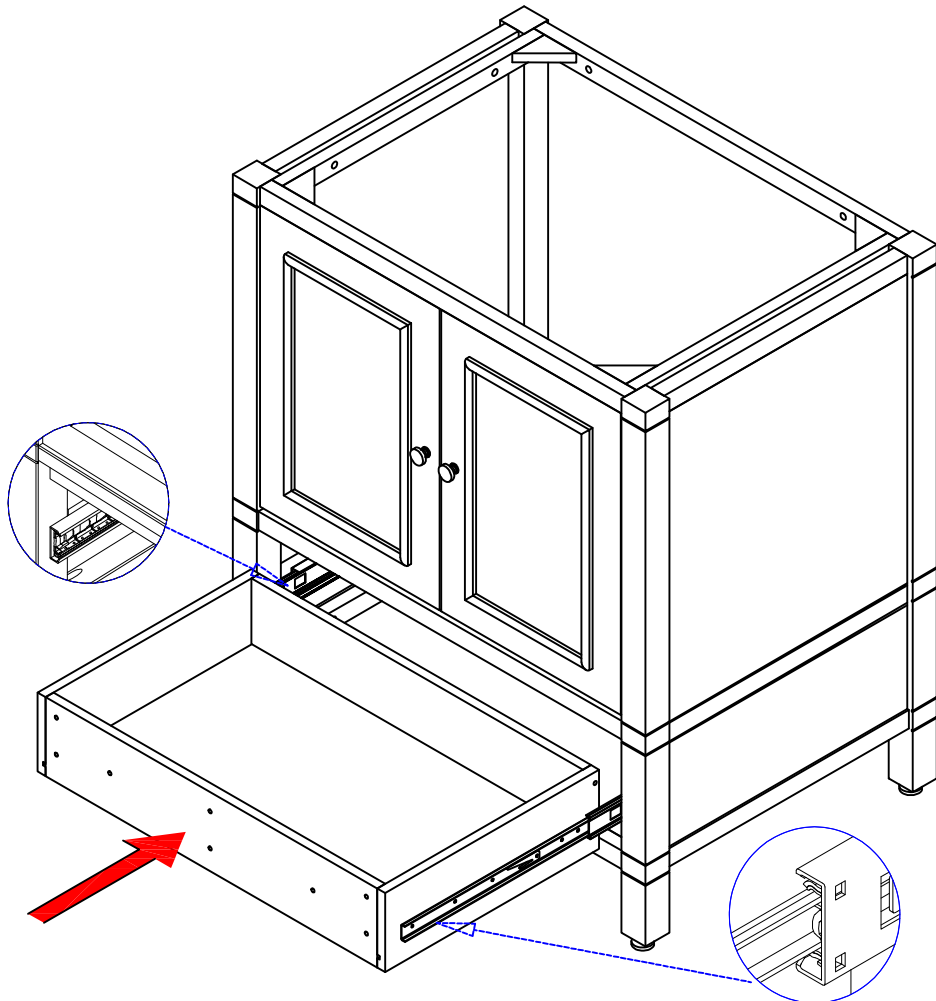
# Step 09

E  16  
3.5\*15mm Screw

 01




# Step 10



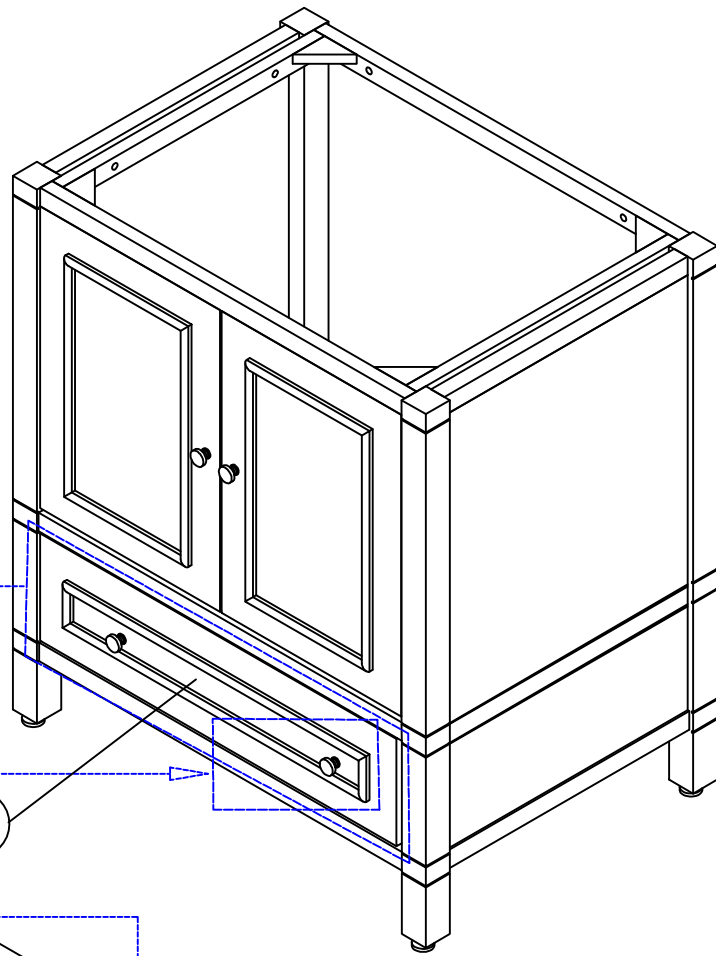
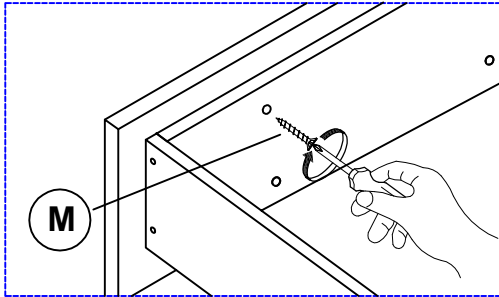
# Step 11

F  02

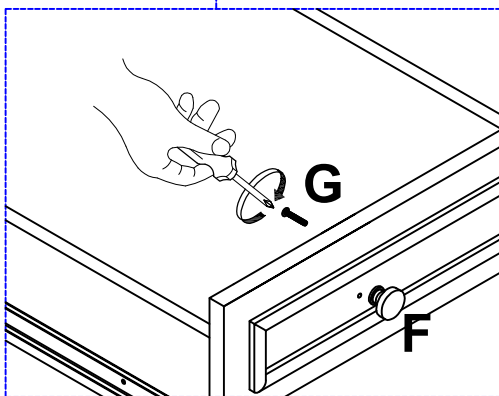
G  02  
4\*25mm Screw

 01

M  06  
4\*25mm Screw



13





## Step 12

- . Mark the location of the Studs in the wall on the stretcher rail.
- . Drill a 1/16" thru hole in the center of the Stretcher Rail at the location of the studs in the wall.
- . Secure the Vanity to the wall using screws (I)  
Make sure the screws align with the Stud in the wall.
- . If hole locations do not align with stud in wall, install the EZ Anchor(J) in to drywall and then screwing the EZ Anchor in to the drywall.

