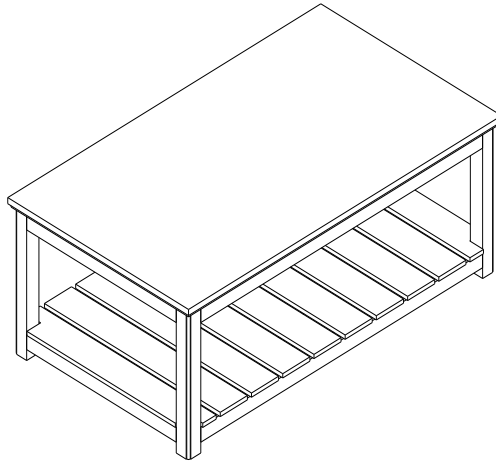


# Alaterre Furniture

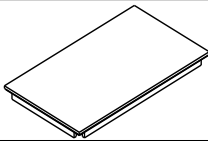

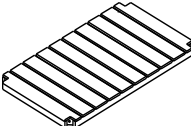
## Savannah Coffee Table


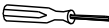


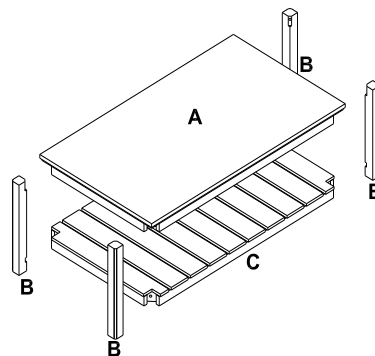
Thank you for purchasing the Savannah Coffee Table from **ALATERRE FURNITURE**. We have found it helpful to have a second person present during the assembly process.

### Coffee Table Assembly Instructions

#### Parts

| NO. | DRAWING   | DESCRIPTION | QTY. |
|-----|---|-------------|------|
| A   |  | TOP         | 1    |
| B   |  | POST        | 4    |
| C   |  | BOTTOM      | 1    |

| NO. | DRAWING   | DESCRIPTION  | QTY. |
|-----|---|--------------|------|
| D   |  | M6*45MM BOLT | 8    |
| E   |  | WRENCH       | 1    |



#### Step 1

Read through these instructions thoroughly before beginning assembly. We have found this to be of great value when assembling this product.

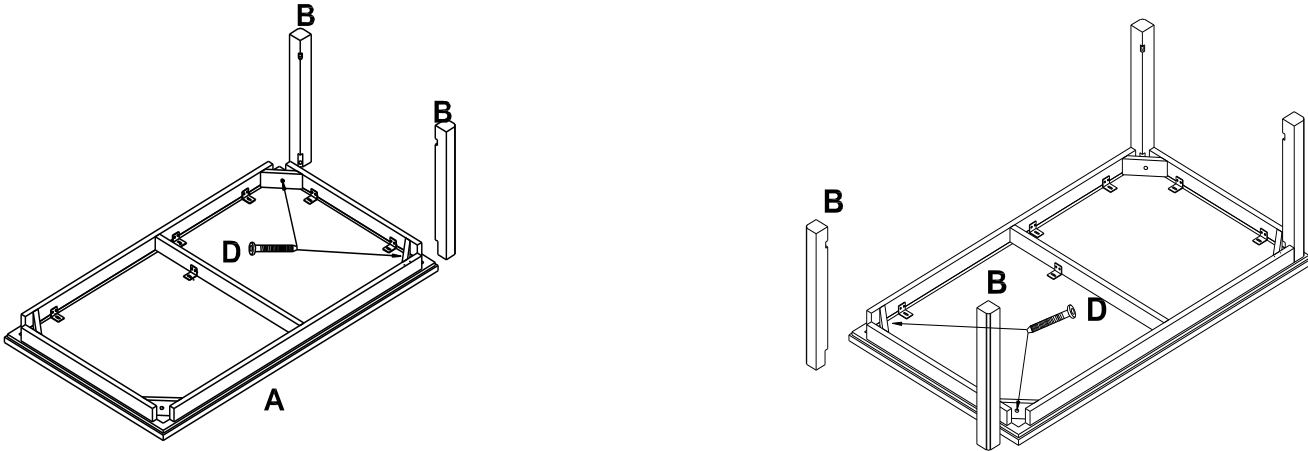
## Step 2

Remove all parts and hardware from packing material. Wooden pieces should be placed on a non abrasive surface to prevent damage to the finish.

---

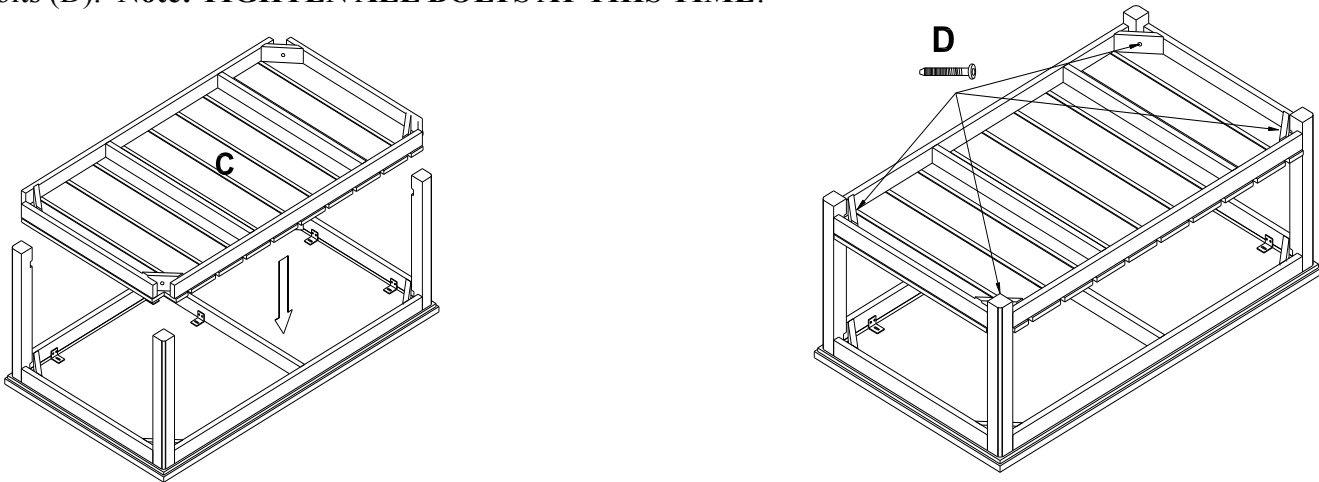
## Step 3

Lay Top (A) upside down on a non abrasive surface. Attach 4 Posts (B) using 4-45MM Hex Bolts (D). **NOTE: Do not tighten firmly at this time.**



## Step 4

Position Bottom (C) between the legs. Attach Bottom (C) to Post (B) using 4-45MM Hex Bolts (D). **Note: TIGHTEN ALL BOLTS AT THIS TIME!**



## CARE

Clean with a non abrasive cloth using a mild soap. Make sure to wipe dry.

---

## REPLACEMENT PARTS:

For best service, to order replacement parts go to [www.alatterrefurniture.com](http://www.alatterrefurniture.com). Use the order form on the web site to order your replacement parts. **Thank You!**