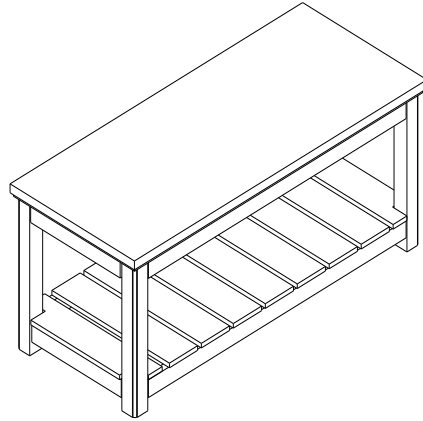


Alaterre Furniture

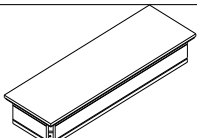

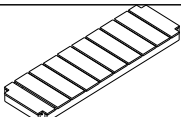
Savannah Bench





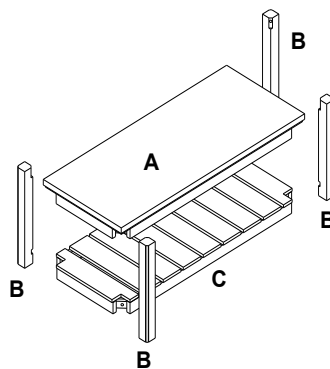
Thank you for purchasing the Savannah Bench from **ALATERRE FURNITURE**. We have found it helpful to have a second person present during the assembly process.

Bench Assembly Instructions

Parts

| NO. | DRAWING | DESCRIPTION | QTY. |
|-----|-------------------------------------------------------------------------------------|-------------|------|
| A |  | TOP | 1 |
| B |  | POST | 4 |
| C |  | BOTTOM | 1 |

| NO. | DRAWING | DESCRIPTION | QTY. |
|-----|-------------------------------------------------------------------------------------|--------------|------|
| D |  | M6*45MM BOLT | 8 |
| E |  | WRENCH | 1 |



Step 1

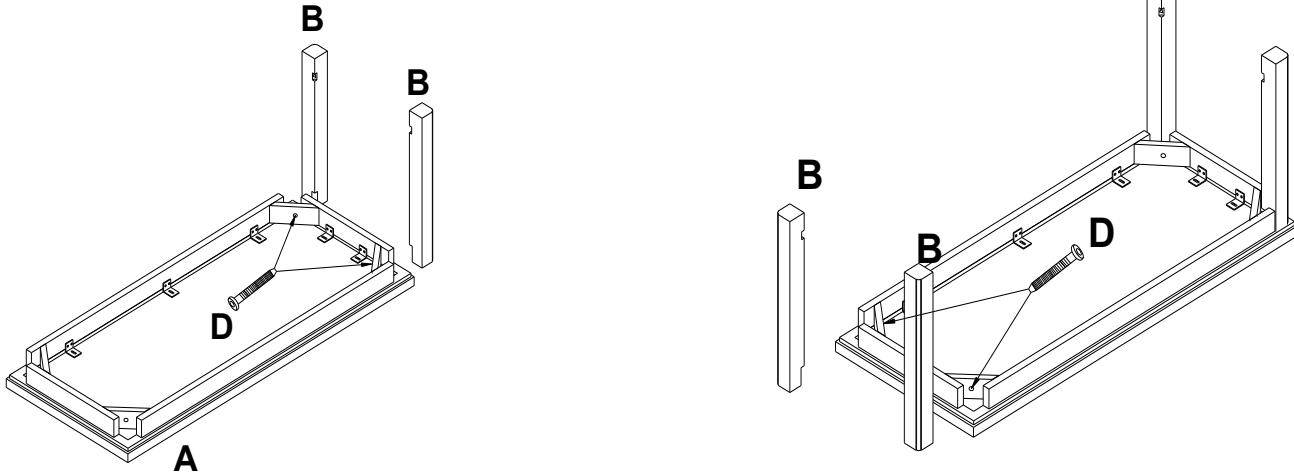
Read through these instructions thoroughly before beginning assembly. We have found this to be of great value when assembling this product.

Step 2

Remove all parts and hardware from packing material. Wooden pieces should be placed on a non abrasive surface to prevent damage to the finish.

Step 3

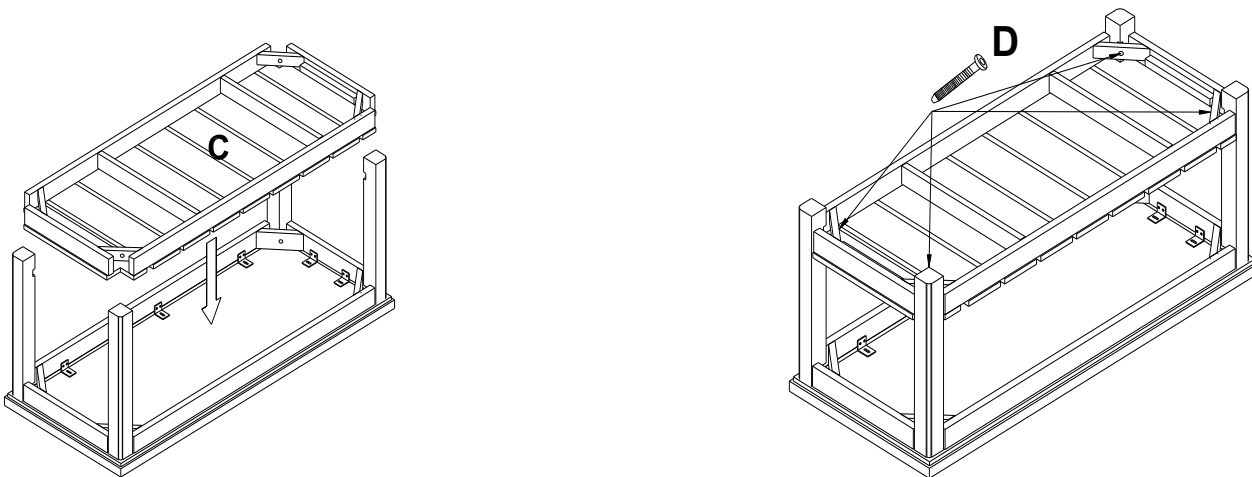
Lay Top (A) upside down on a non abrasive surface. Attach 4 Posts (B) using 4-45MM Hex Bolts (D). **NOTE: Do not tighten firmly at this time.**



Step 4

Position Bottom (C) between 4 post. Attach Bottom (C) using 4-45MM Hex Bolts (D).

Note: TIGHTEN ALL BOLTS AT THIS TIME!



CARE

Clean with a non abrasive cloth using a mild soap. Make sure to wipe dry.

REPLACEMENT PARTS:

For best service, to order replacement parts go to www.alatterrefurniture.com. Use the order form on the web site to order your replacement parts. **Thank You!**