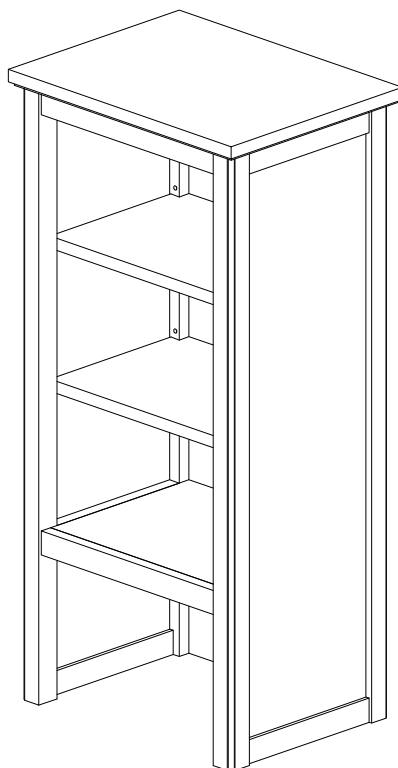


Alaterre Furniture

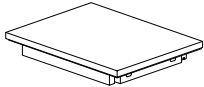
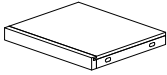
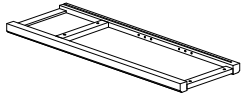
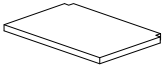
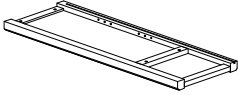
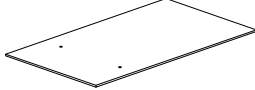
Storage Hutch




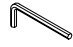


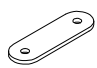
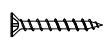

Thank you for purchasing the Storage Hutch from ALATERRE FURNITURE. We have found it helpful to have a second person present during the assembly process.

Storage Hutch Assembly Instructions

Parts

NO.	DRAWING	DESCRIPTION	QTY	NO.	DRAWING	DESCRIPTION	QTY
A		TABLE TOP	1	D		PARTITION	1
B		RIGHT SIDE FRAME	1	E		SHELF	2
C		LEFT SIDE FRAME	1	F		BACK PANEL	1

NO.	DRAWING	DESCRIPTION	QTY
G		M6x35MM BOLT	8
H		M6x20MM BOLT	2
I		SHELF CLIP	8
J		ALLEN KEY	1

NO.	DRAWING	DESCRIPTION	QTY
K		BRACE PLATE	2
L		4x15 SCREW	4
M		ANTI-TIP	1

Step 1

Read through these instructions thoroughly before beginning assembly. We have found this to be of great value when assembling this product.

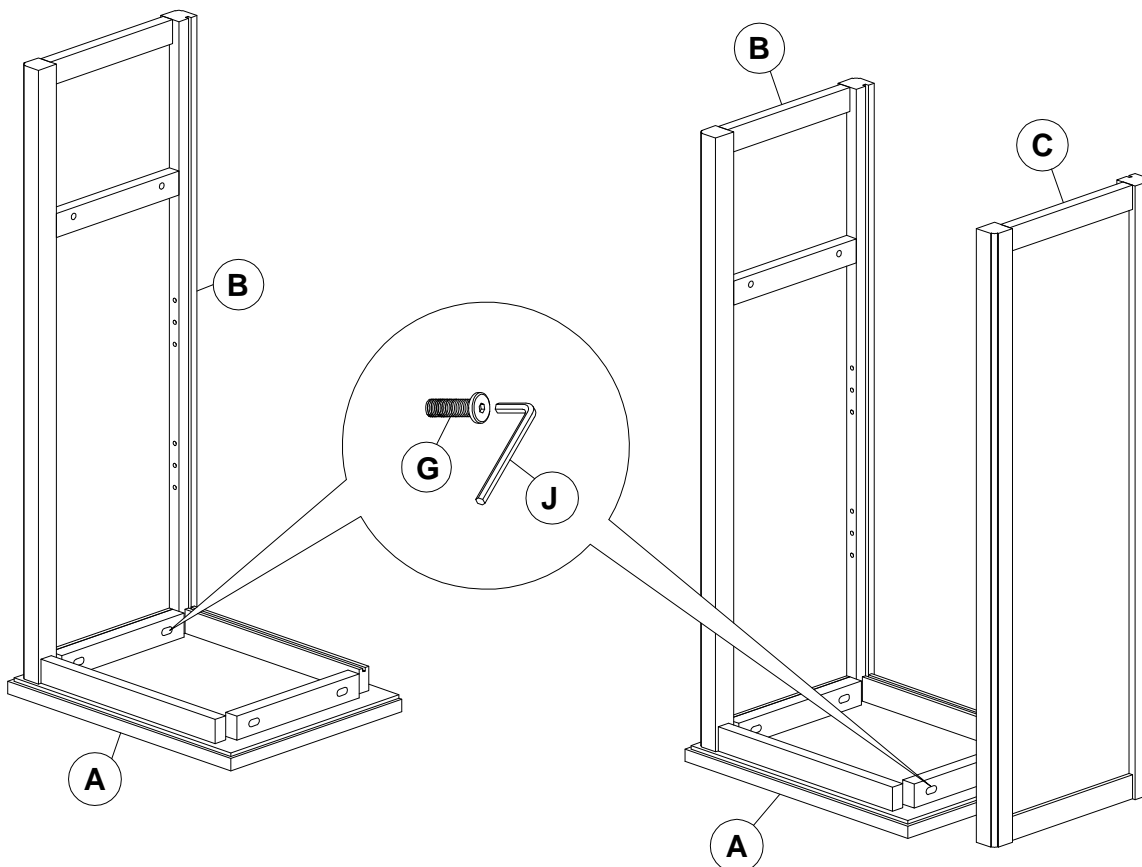
Step 2

Remove all parts and hardware from packing material. Wooden pieces should be placed on a non abrasive surface to prevent damage to the finish

Step 3

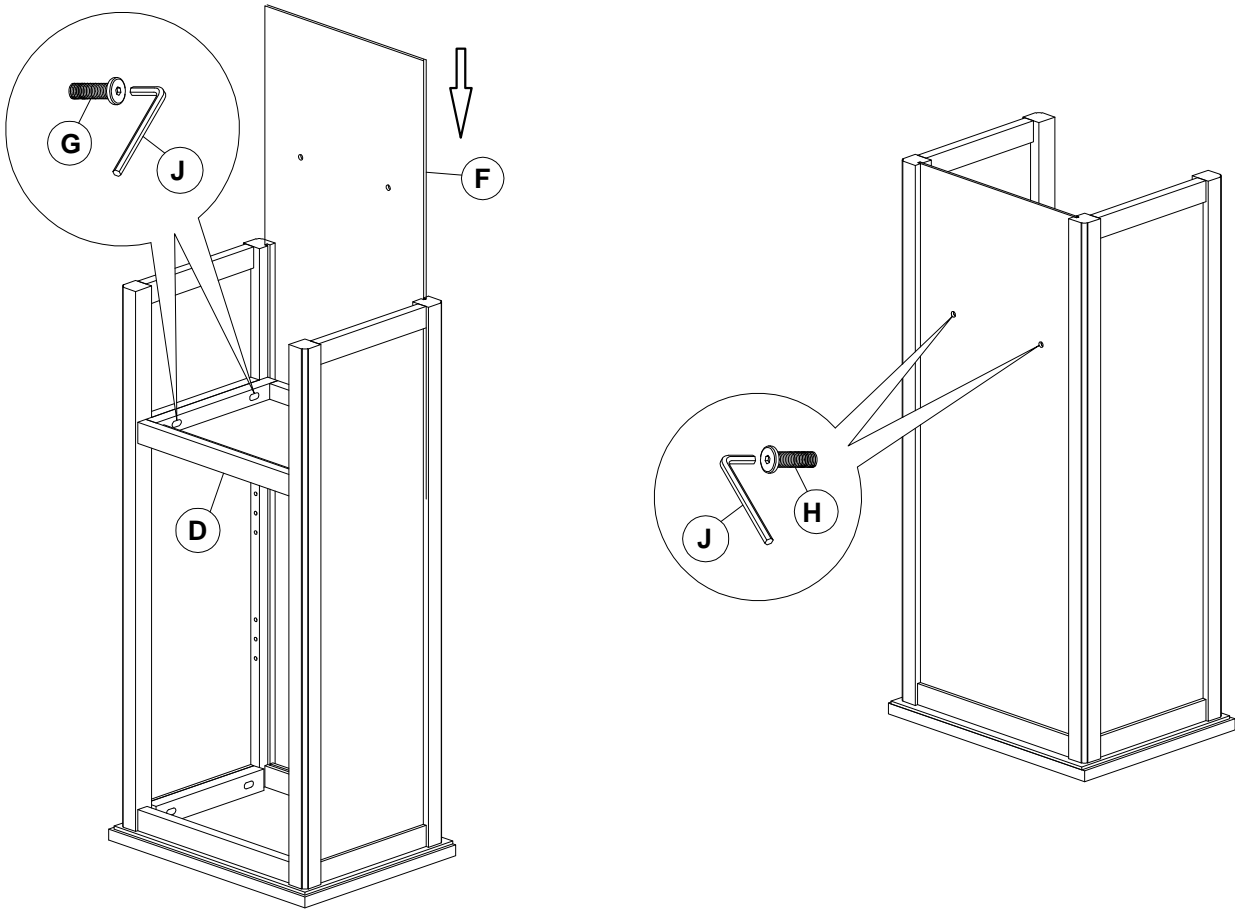
Lay Table Top Assembly (A) upside down on a non abrasive surface. Attach Right Side Frame (B) to Table Top (A) using 2-M6x35MM Hex Bolts (H).NOTE: DO NOT TIGHTEN ALL BOLTS AT THIS TIME !

Attach Left Side Frame (C) to Table Top (A) using 2-M6x45MM Hex Bolts (H). NOTE: DO NOT TIGHTEN ALL BOLTS AT THIS TIME !



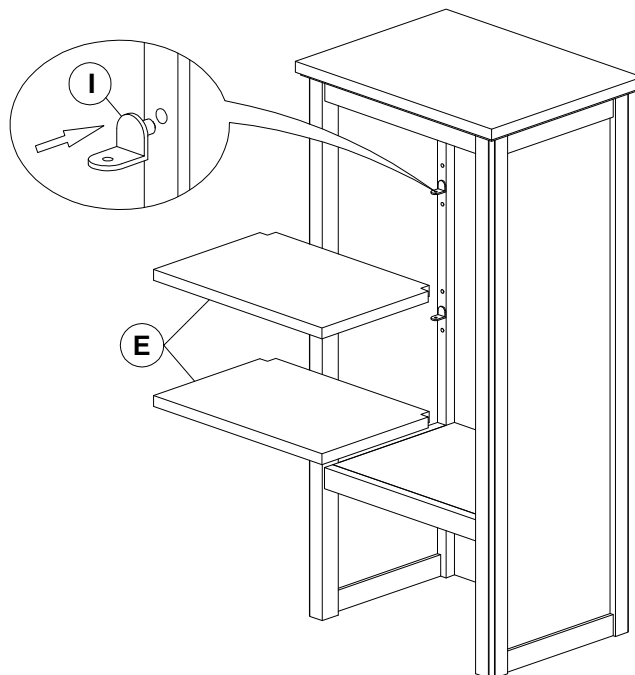
Step 4

Attach Partition Shelf (D) to Side Frame (B)&(C) using 4-M6x35MM Hex Bolts (G). NOTE: DO NOT TIGHTEN ALL BOLTS AT THIS TIME ! Align Back Panel (F) with grooves in Side Frame Assembly (B)&(C)-Slide Back panel (F) into place. Thread 2-M6x20MM Hex Bolts (H) thru Back Panel (F) in to threaded inserts in back edge of Partition Shelf (D). NOTE: TIGHTEN ALL BOTLS AT THIS TIME !



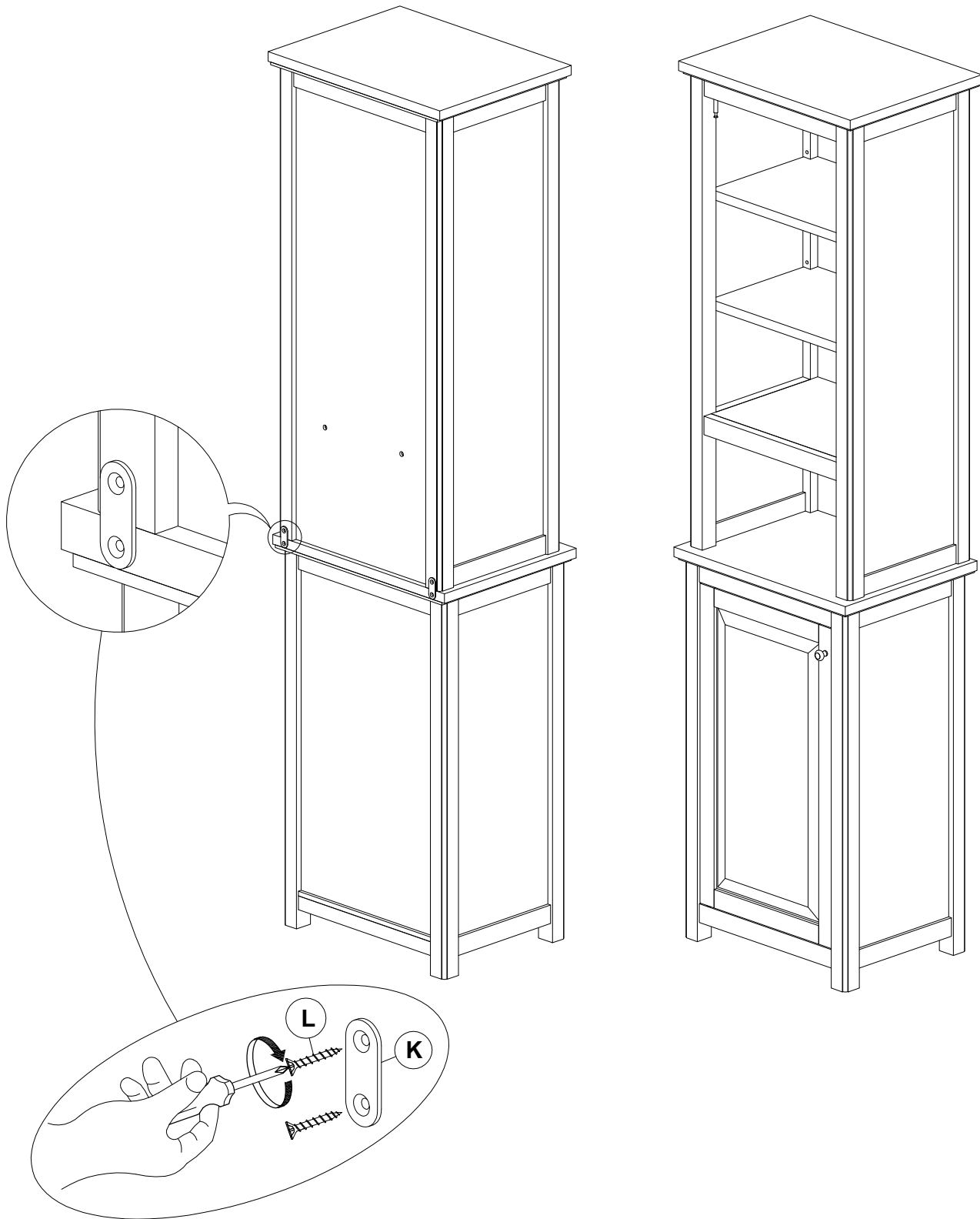
Step 5

Insert 8-Shelf Clips (I) in Holes on Side Frames (B)&(C) at desired location. Place Shelves (E) on Shelf Clips (I).



Step 6

Attach Storage Hutch to Storage Base using 2-Brace Plates (L) and 4-4x15MM Screws (M).



CARE

Clean with a non abrasive cloth using a mild soap. Make sure to wipe dry.

REPLACEMENT PARTS:

For best service, to order replacement parts go to www.alaterrefurniture.com. Use the order form on the website to order your replacement parts. Thank You!