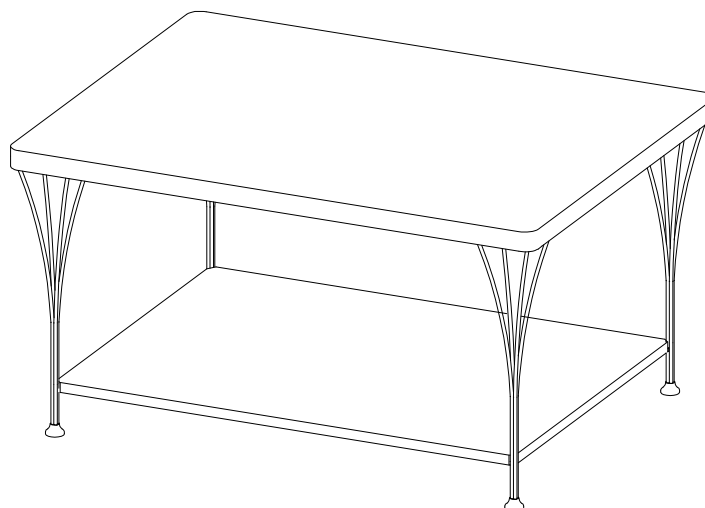


Alaterre Furniture

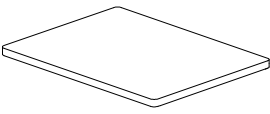
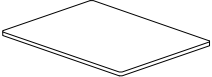

Coffee Table


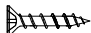
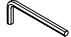


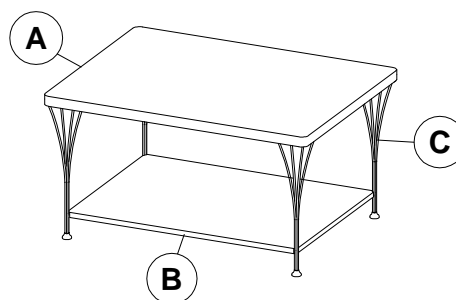
Thank you for purchasing the Coffee Table from ALATERRE FURNITURE. We have found it helpful to have a second person present during the assembly process.

End table Assembly Instructions

Parts

NO.	DRAWING	DESCRIPTION	QTY
A		TABLE TOP	1
B		SHELF	1
C		METAL LEG	4

NO.	DRAWING	DESCRIPTION	QTY
D		M6x20MM BOLT	16
E		3.5X12MM BOLT	4
F		ALLEN KEY	1



Step 1

Read through these instructions thoroughly before beginning assembly. We have found this to be of great value when assembling this product.

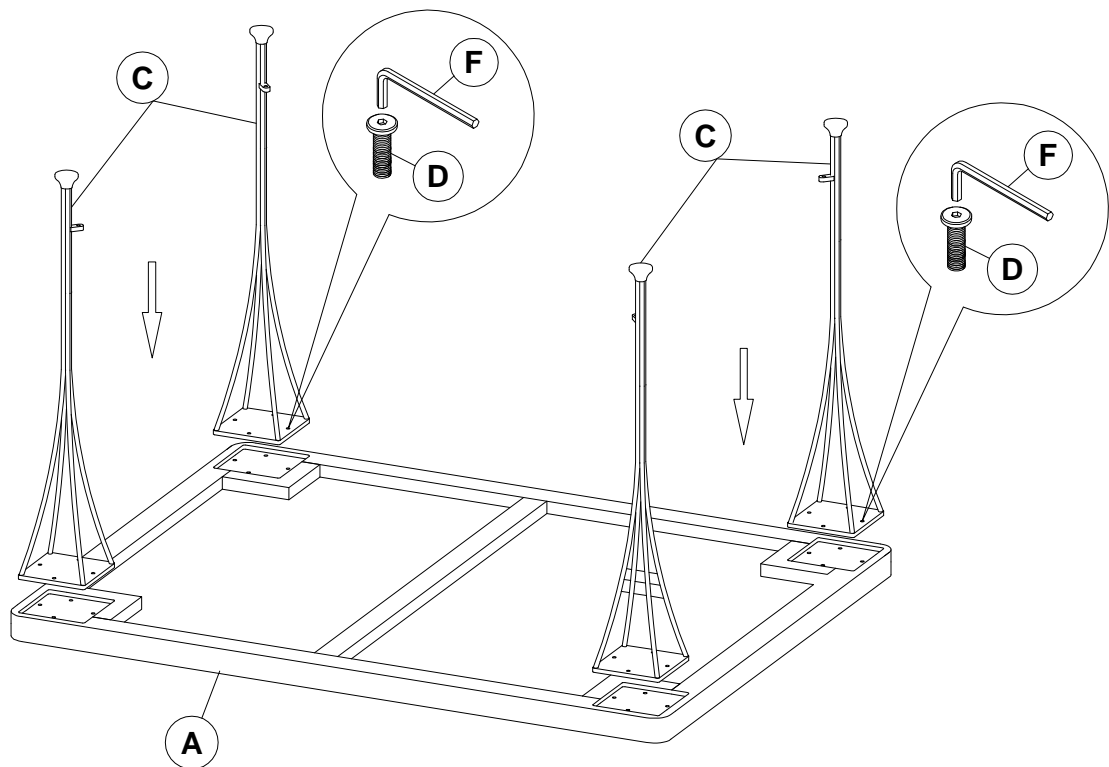
Step 2

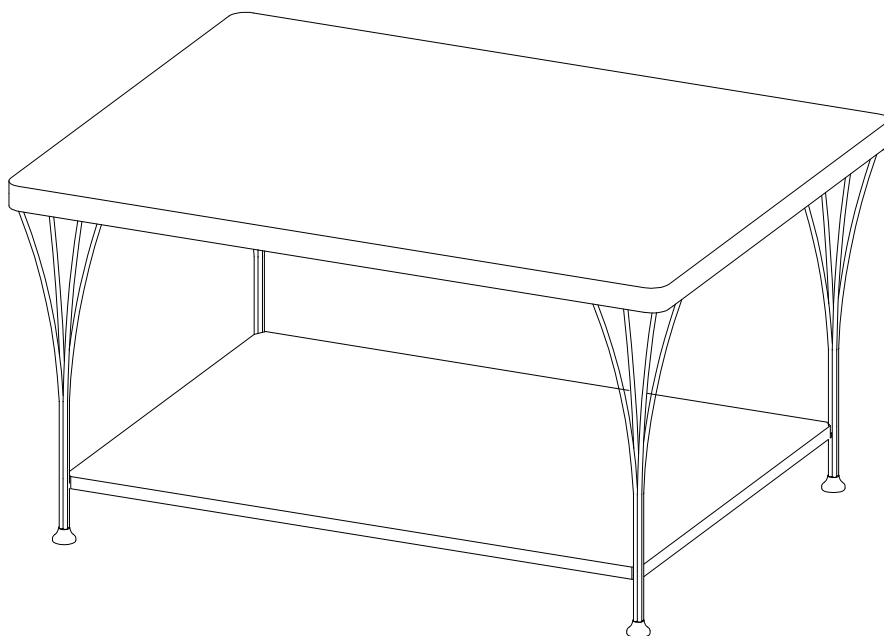
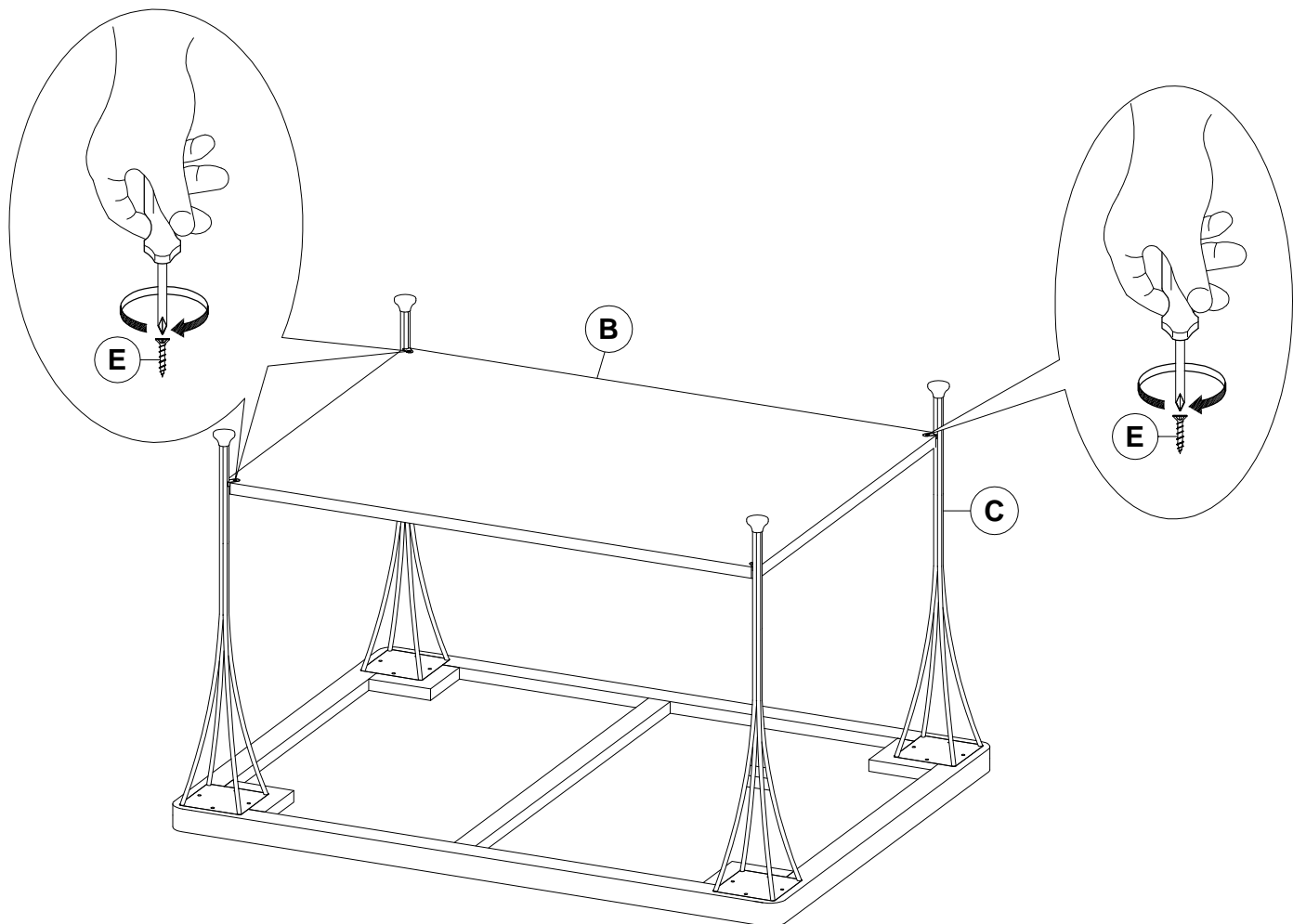
Remove all parts and hardware from packing material. Wooden pieces should be placed on a non abrasive surface to prevent damage to the finish

Step 3

Lay Table Top Assembly (A) upside down on a non abrasive surface. Attach Metal Leg (C) to Table Top (A) using 16-M6x20MM Hex Bolts (D). NOTE: DO NOT TIGHTEN ALL BOLTS AT THIS TIME !

Attach Shelf (B) to tab on Metal Legs (C) using 4-3.5x12MM Wood Screws (E). NOTE: TIGHTEN ALL BOLTS AT THIS TIME !





CARE

Clean with a non abrasive cloth using a mild soap. Make sure to wipe dry.

REPLACEMENT PARTS:

For best service, to order replacement parts go to www.alaterrefurniture.com. Use the order form on the website to order your replacement parts. Thank You!