

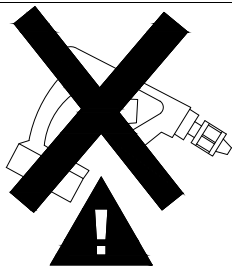
ASSEMBLY INSTRUCTION

CONSOLE TABLE

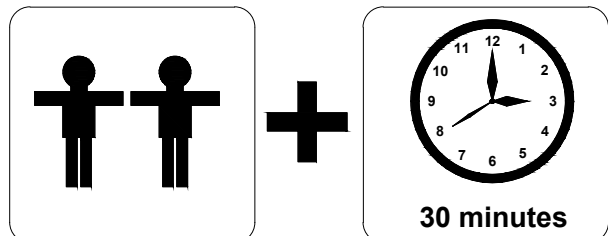


REPLACEMENT PARTS

Please do not contact the company purchased from as we can help you faster.
Order replacement parts and hardware at " www.alaterrefurniture.com "

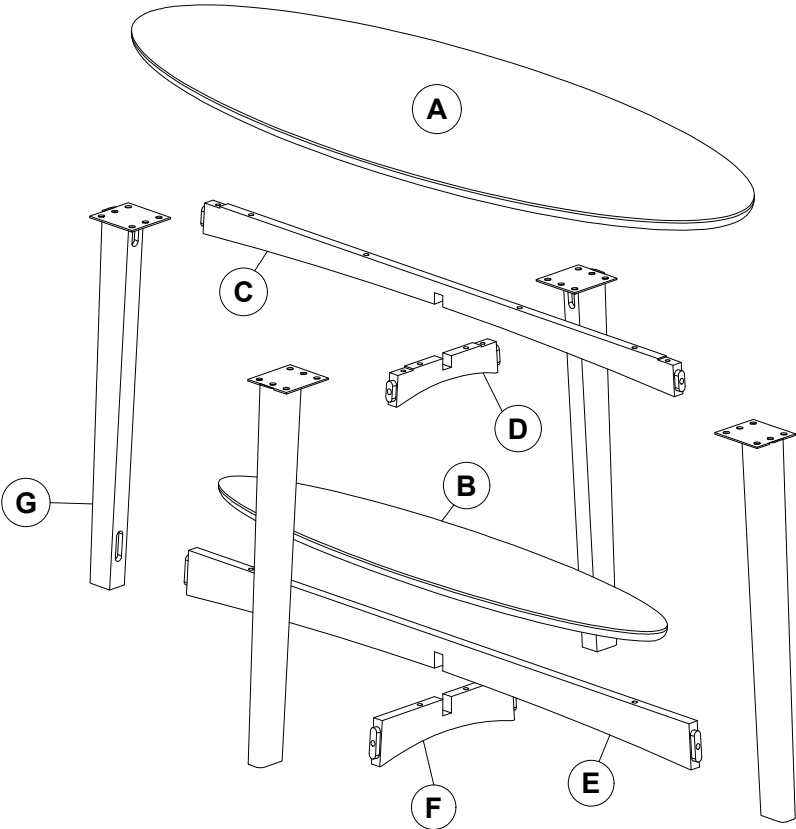


. Use of power tool to assemble this product will invalidate any claim and damage this product making it unsafe !!!
. Please assemble on a clean soft surface to avoid damage.



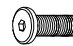
www.alaterrefurniture.com


Part list-MCM Monterey Console Table




Identifying the hardware-Identify the hardware using the illustrations below

G  **24**
M6x15MM BOLT

H  **16**
M6x60MM BOLT

I  **04**

J  **01**

Step 01

H

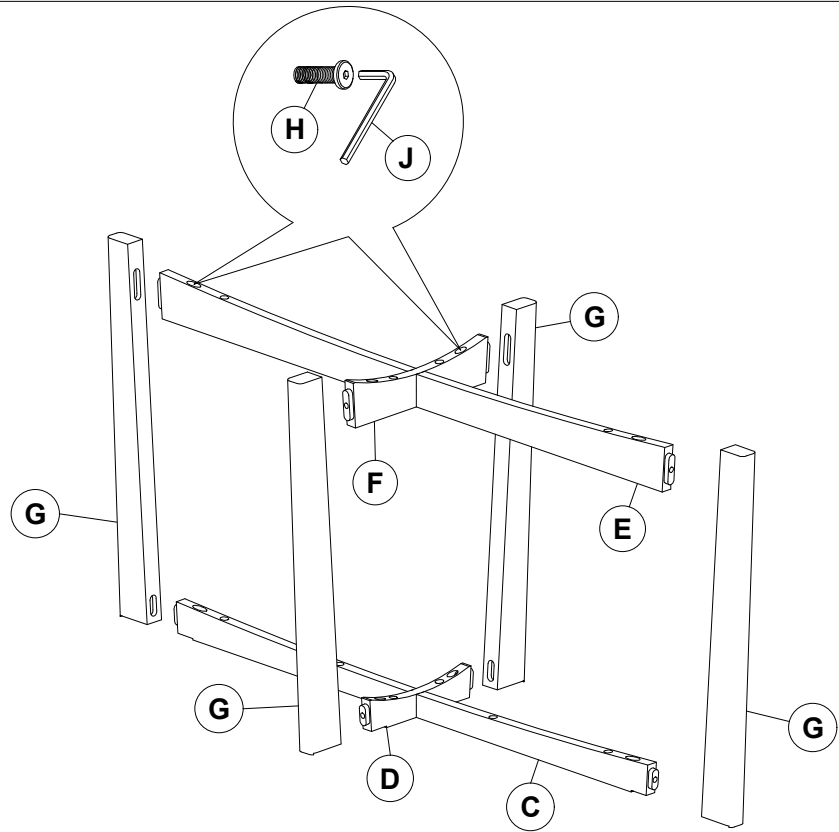
M6x60MM BOLT

8

J



01



Step 02

H

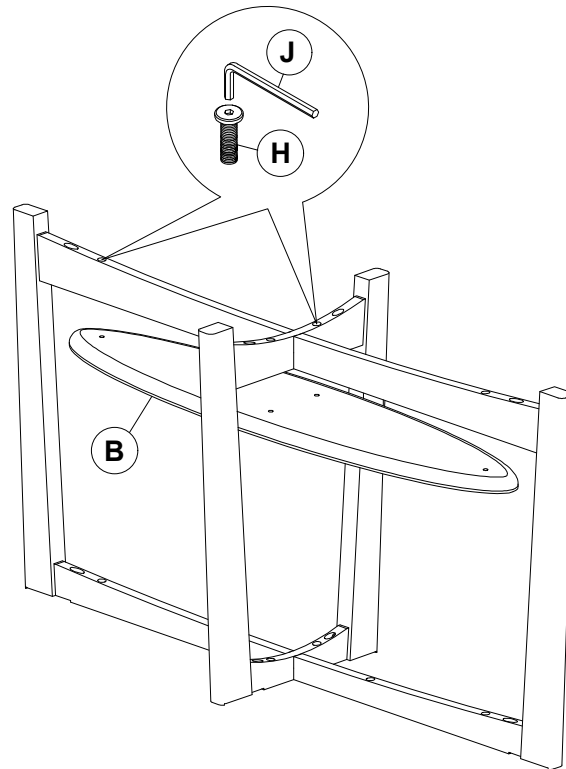
M6x60MM BOLT

04

J



01



Step 03

G

M6x15MM BOLT

8

I

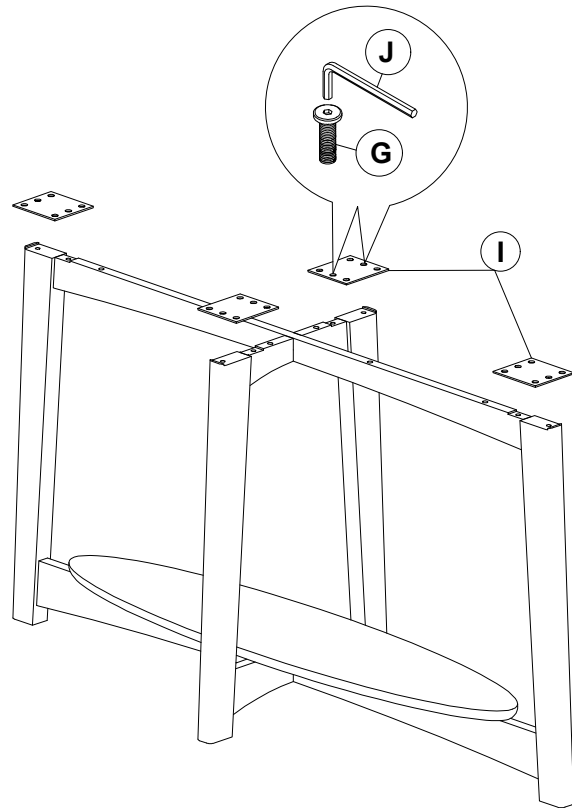


04

J



01



Step 04

G

M6x15MM BOLT

16

H

M6x60MM BOLT

04

J



01

