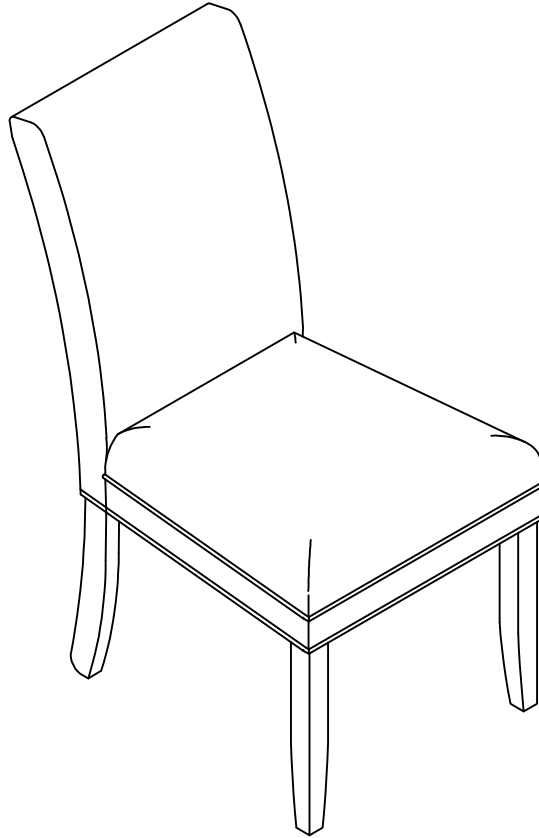


ASSEMBLY INSTRUCTIONS

Upholstered Chair



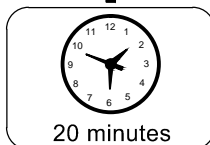
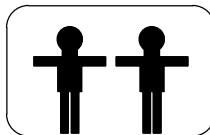
REPLACEMENT PARTS

Please do not contact the company purchased from as we can help you faster.

Order replacement parts and hardware at "boltonfurniture.com"

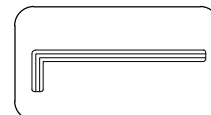


. Use of power tool to assemble this product will invalidate any claim and damage this product making it unsafe!!!
. Please assemble on a clean soft surface to avoid damage.

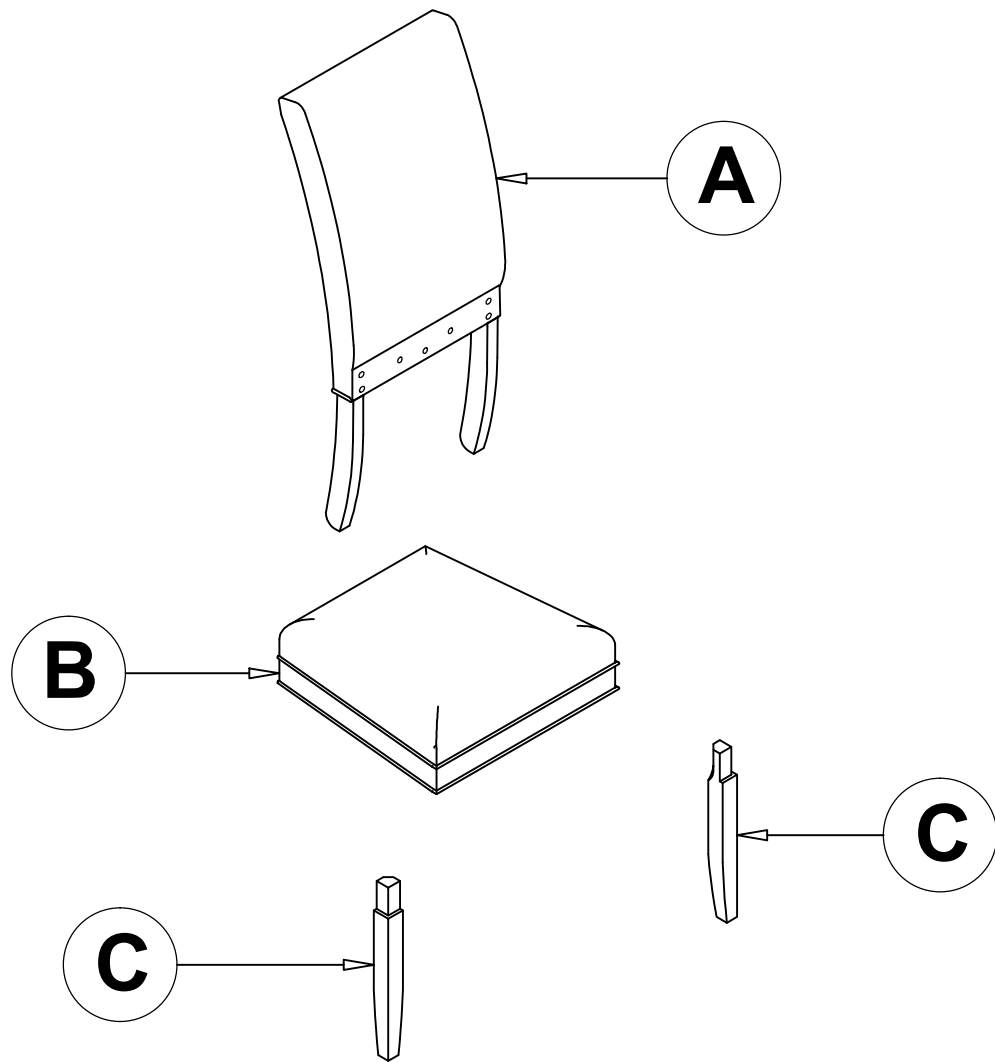


20 minutes

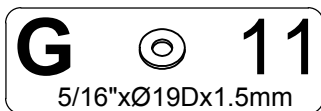
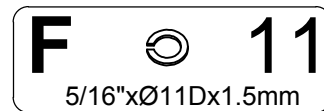
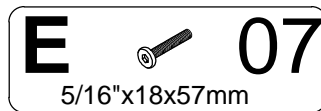
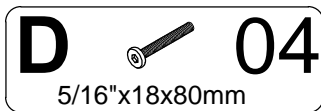
Tool Included




Upholstered Chair





Identifying the hardware - Identify the hardware using the illustrations below.



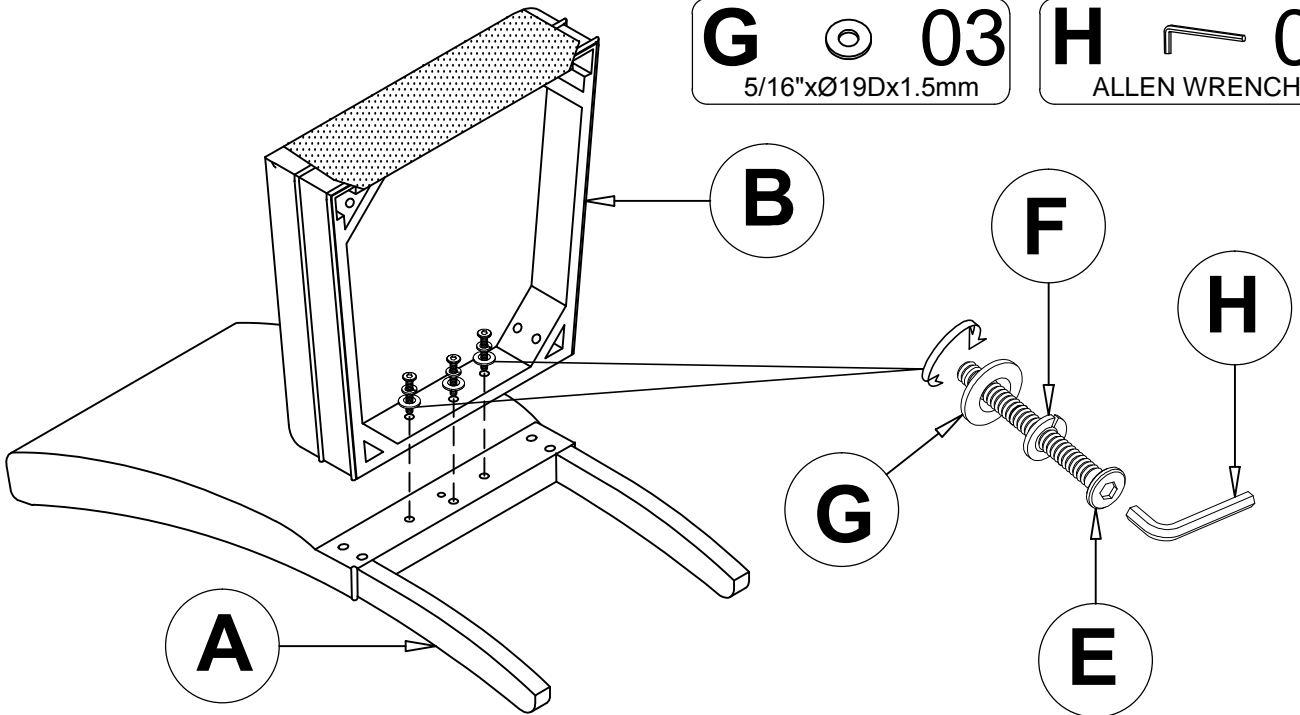
Step 1

E  **03**
5/16"x18x57mm


F  **03**
5/16"xØ11Dx1.5mm


G  **03**
5/16"xØ19Dx1.5mm

H  **01**
ALLEN WRENCH



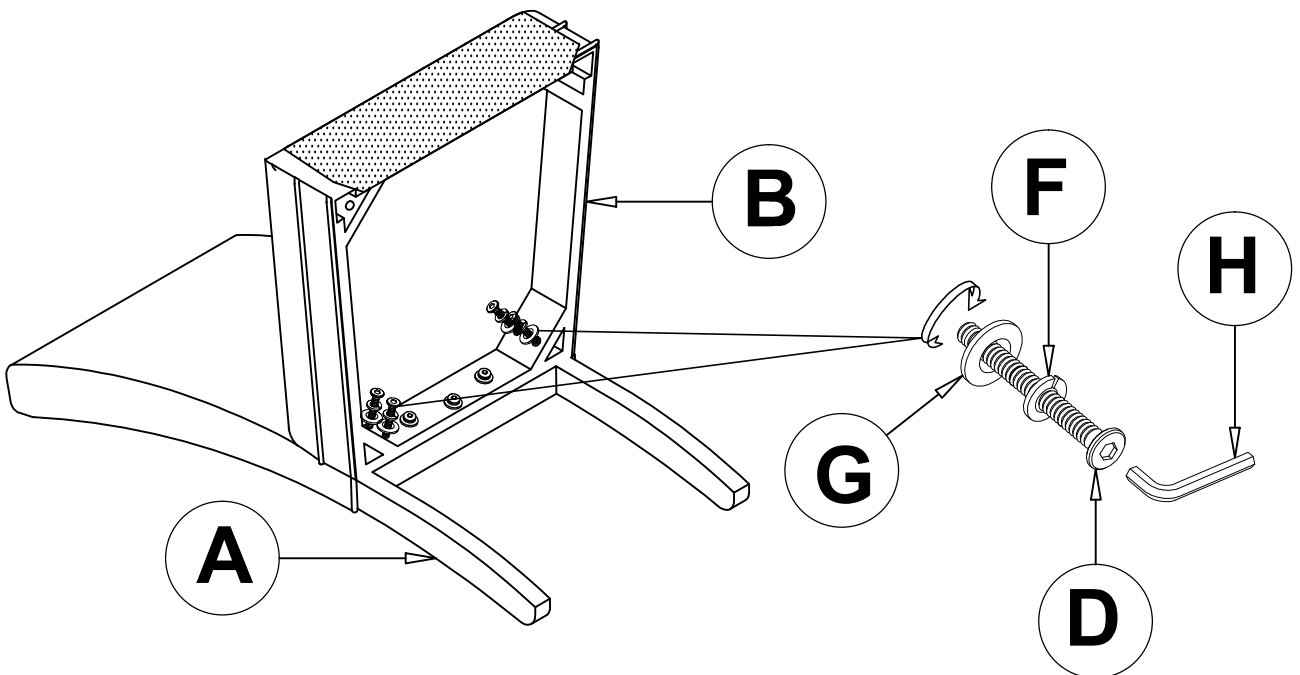
Step 2

D  **04**
5/16"x18x80mm


F  **04**
5/16"xØ11Dx1.5mm


G  **04**
5/16"xØ19Dx1.5mm


H  **01**
ALLEN WRENCH



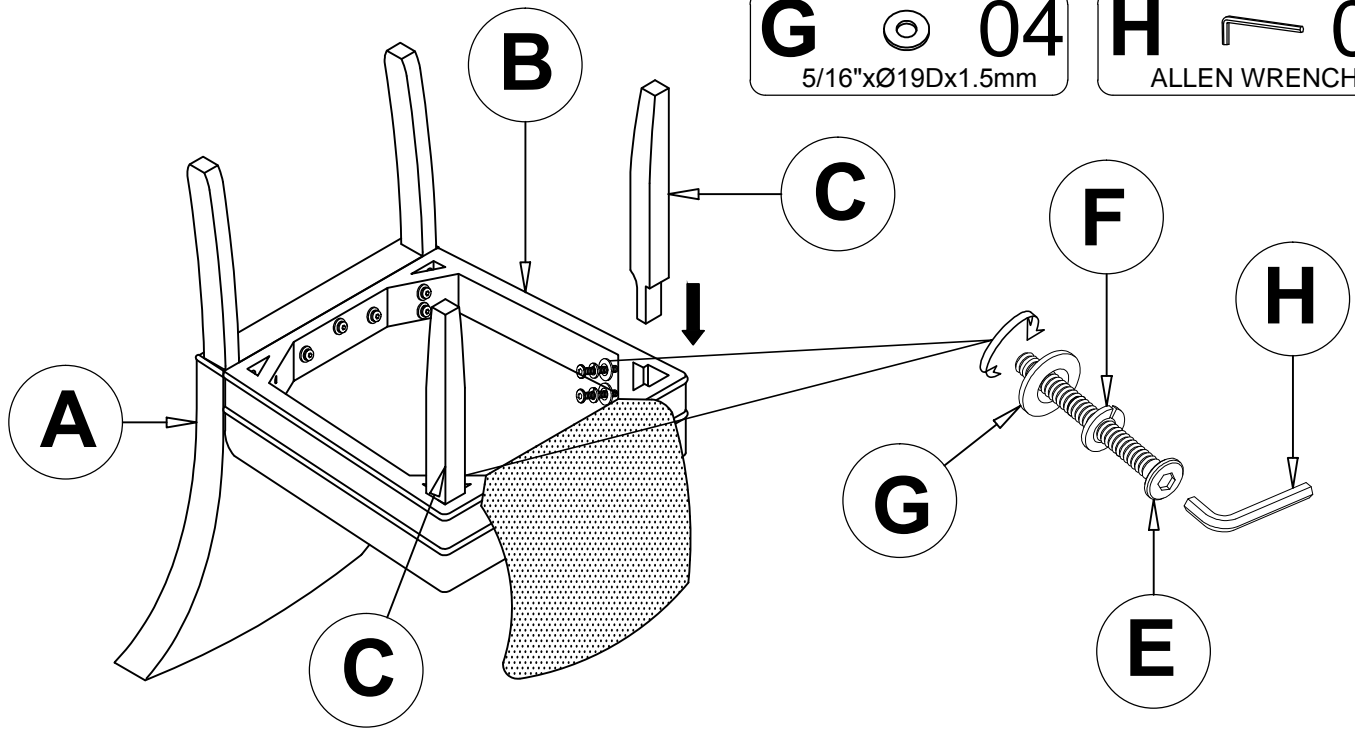
Step 3

E  **04**
5/16"x18x57mm

F  **04**
5/16"xØ11Dx1.5mm

G  **04**
5/16"xØ19Dx1.5mm

H  **01**
ALLEN WRENCH



Step 4

