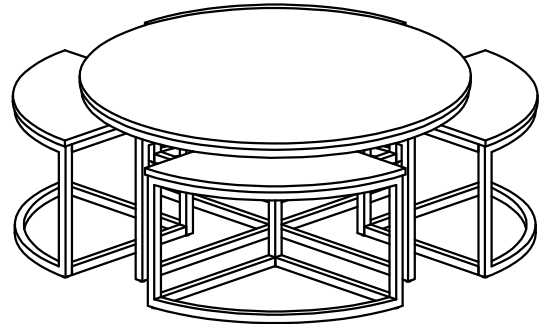
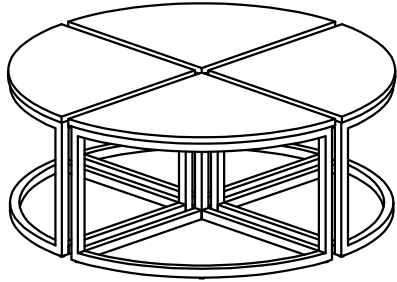


Alaterre Furniture

Nesting Wedge Tables

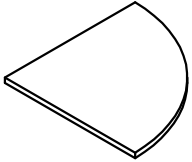


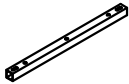



Note: Illustration shown w/4 Optional Wedges underneath.

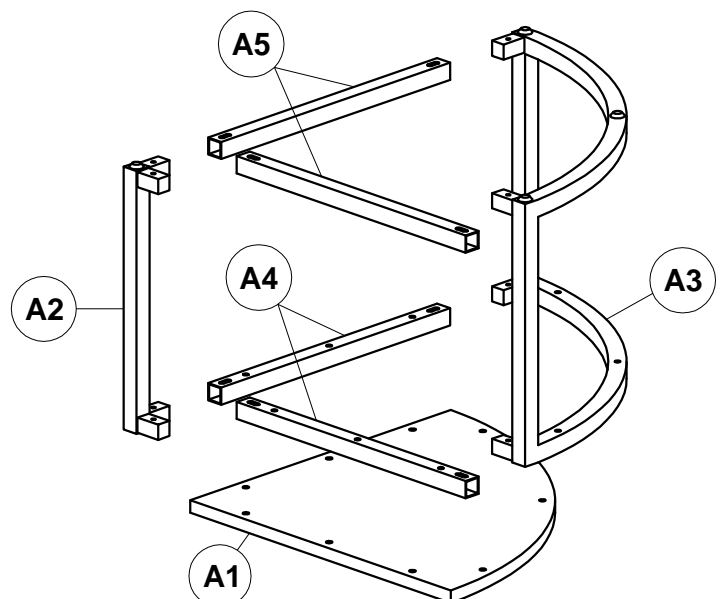
Thank you for purchasing the Nesting Wedge Tables from ALATERRE FURNITURE. We have found it helpful to have a second person present during the assembly process.




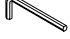
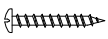
Nesting Wedge Tables Assembly Instructions

Parts

NO.	DRAWING	DESCRIPTION	QTY
A1		TOP	4
A2		LEG	4
A3		SIDE FRAME	4
A4		STRETCHER TOP	8

NO.	DRAWING	DESCRIPTION	QTY
A5		STRETCHER BASE	8



NO.	DRAWING	DESCRIPTION	QTY
E		M6x40MM BOLT	24
F		M6x20MM BOLT	32
G		FLAT WASHER	56
H		ALLEN KEY	2
I		4x35MM SCREW	12

Step 1

Read through these instructions thoroughly before beginning assembly. We have found this to be of great value when assembling this product.

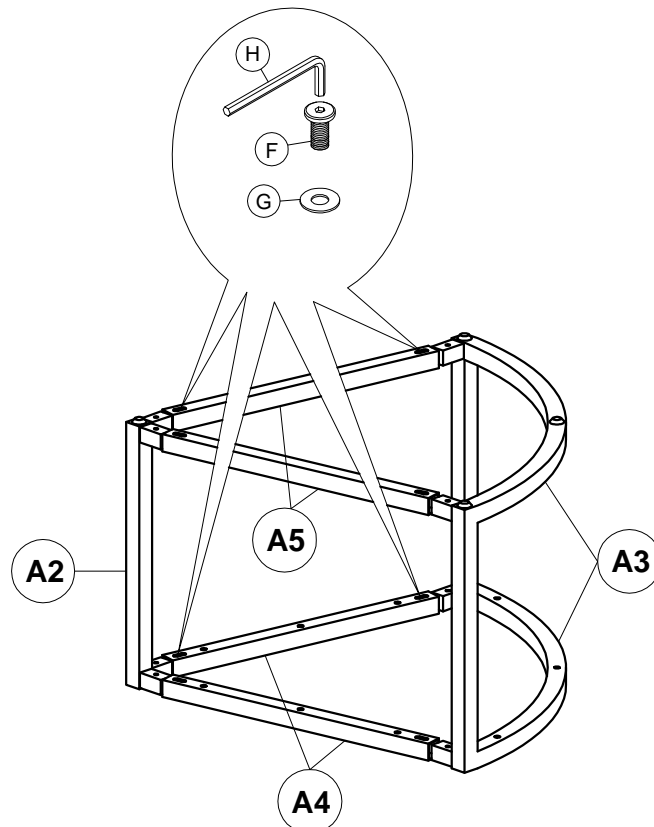
Step 2

Remove all parts and hardware from packing material. Wooden pieces should be placed on a non abrasive surface to prevent damage to the finish

Step 3

Attach Stretcher Top and Stretcher base (A4,A5) to Leg (A2) and then attach Side Frame (A3) to the Stretchers (A4&A5) using 8-M6x20MM Hex Bolts (F) and Flat Washer (G). NOTE: DO NOT TIGHTEN FIRMLY AT THIS TIME !

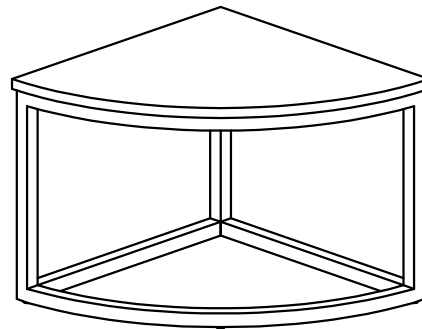
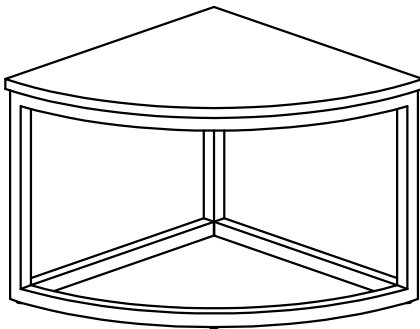
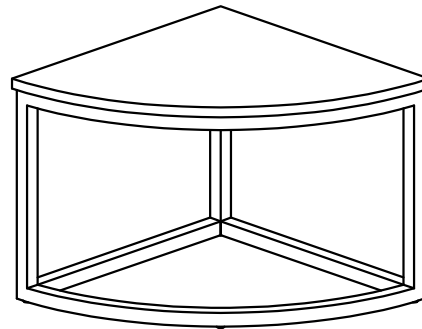
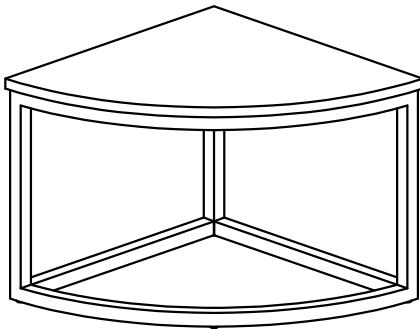
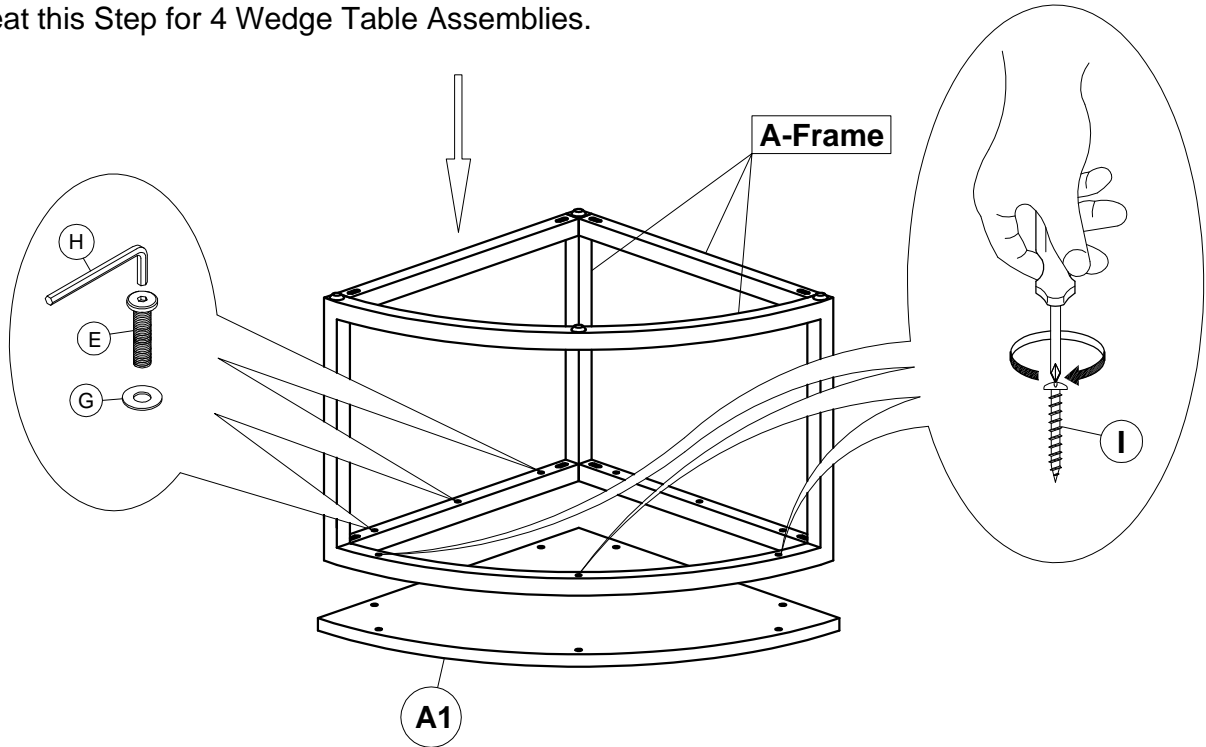
Note: Repeat this Step for 4 Frame Assemblies.



Step 4

Lay Top (A1) upside down on a non abrasive surface. Attach Leg Frame (A-Frame to A1) using 6-M6x40MM Hex Bolts (E), Flat Washer (G) and 3-4x35MM WOOD SCREWS (I) . NOTE: TIGHTEN ALL BOLTS AT THIS TIME !

Note: Repeat this Step for 4 Wedge Table Assemblies.



CARE

Clean with a non abrasive cloth using a mild soap. Make sure to wipe dry.

REPLACEMENT PARTS:

For best service, to order replacement parts go to www.alaterrefurniture.com. Use the order form on the website to order your replacement parts. Thank You!