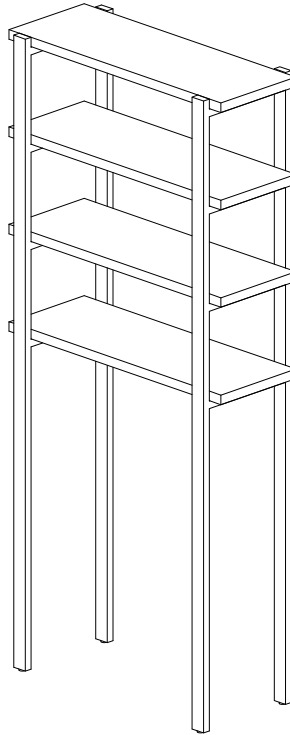


Alaterre Furniture

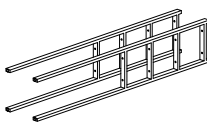
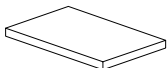
Over Toilet Bath Storage 64" Tall


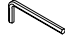



Thank you for purchasing the Over Toilet Bath Storage 64" Tall from ALATERRE FURNITURE. We have found it helpful to have a second person present during the assembly process.

Over Toilet Bath Storage 64" Tall Assembly Instructions

Parts

NO.	DRAWING	DESCRIPTION	QTY
A		METAL FRAME	2
B		SHELF	4

NO.	DRAWING	DESCRIPTION	QTY
C		M6x35MM BOLT	16
D		ALLEN KEY	1
E		ANTI-TIP	1

Step 1

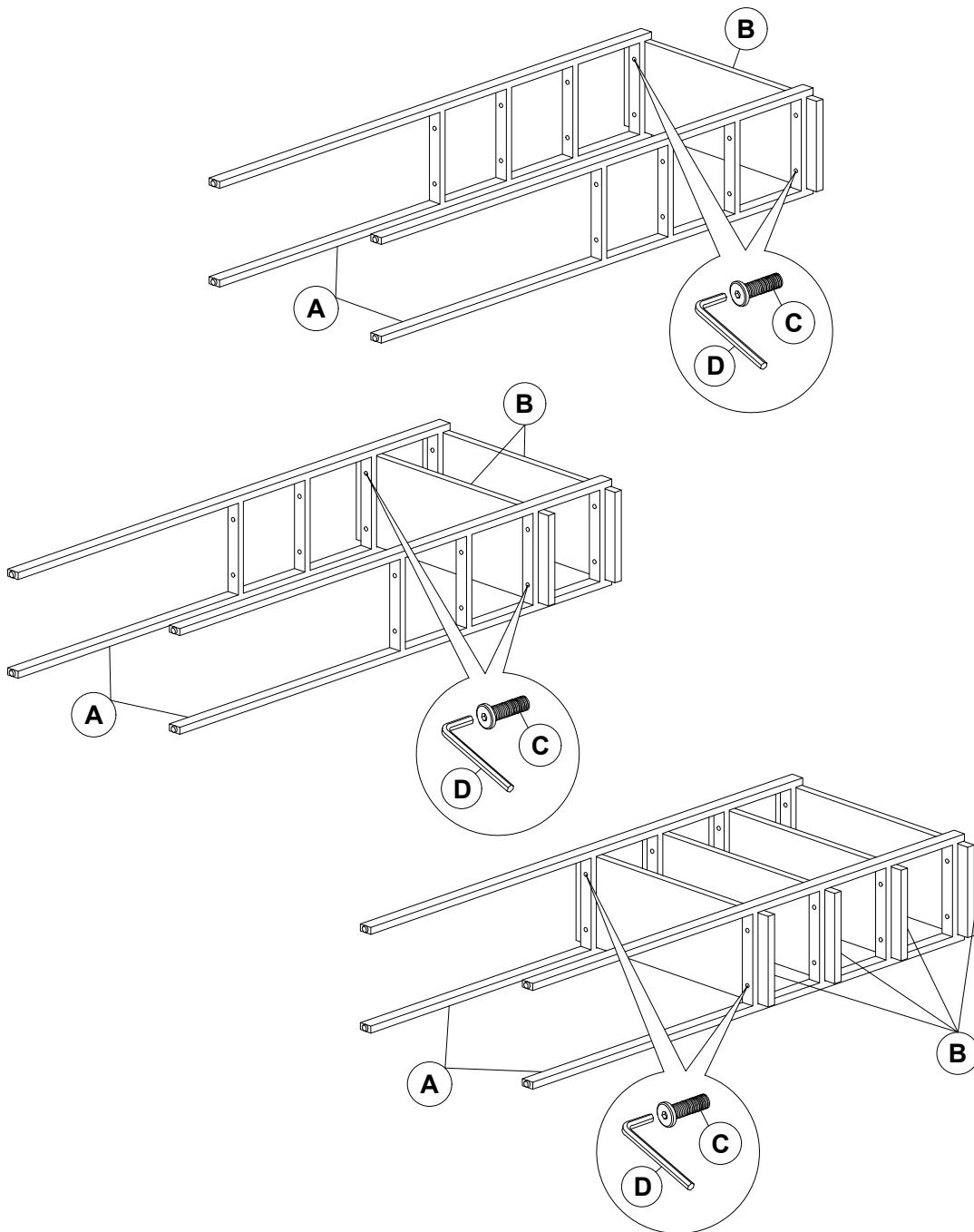
Read through these instructions thoroughly before beginning assembly. We have found this to be of great value when assembling this product.

Step 2

Remove all parts and hardware from packing material. Wooden pieces should be placed on a non abrasive surface to prevent damage to the finish

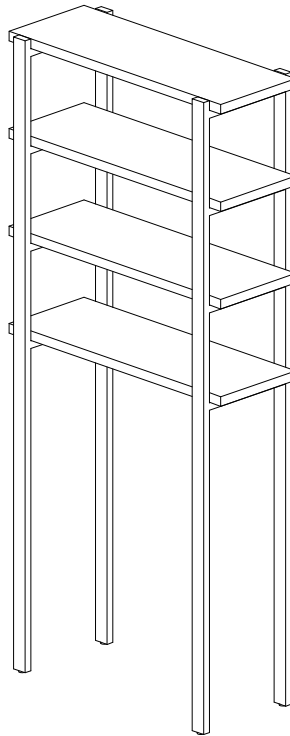
Step 3

Lay Metal Frame Assembly (A) on a non abrasive surface. Attach Shelf (B) to Metal Frame (A) using 16-M6x35MM Hex Bolts (C). NOTE: DO NOT TIGHTEN ALL BOLTS AT THIS TIME !



Step 4

Set Over Toilet Bath Storage Upright. Tighten all bolts. Adjust levelers in base of foot as necessary. Attach Unit to Wall using Anti Tip Kit provided.



CARE

Clean with a non abrasive cloth using a mild soap. Make sure to wipe dry.

REPLACEMENT PARTS:

For best service, to order replacement parts go to www.alaterrefurniture.com. Use the order form on the website to order your replacement parts. Thank You!