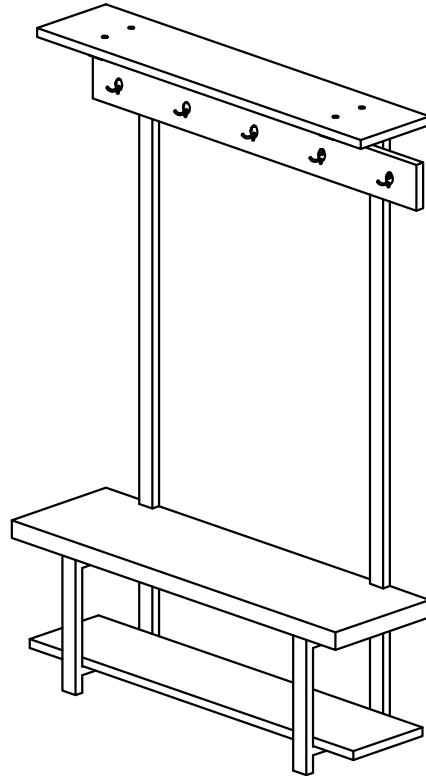


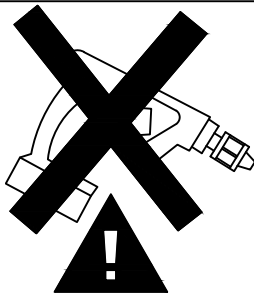
ASSEMBLY INSTRUCTION

WALL TREE WITH BENCH

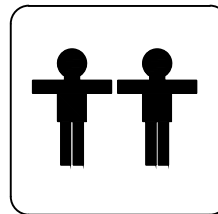


REPLACEMENT PARTS

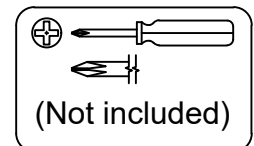
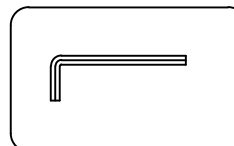
Please do not contact the company purchased from as we can help you faster.
Order replacement parts and hardware at " www.boltonfurniture.com "



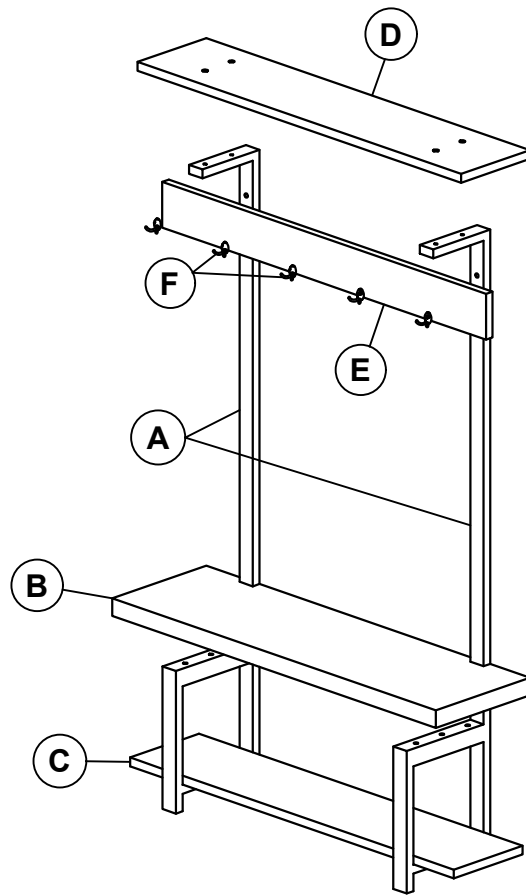
. Use of power tool to assemble this product will invalidate any claim and damage this product making it unsafe !!!
. Please assemble on a clean soft surface to avoid damage.



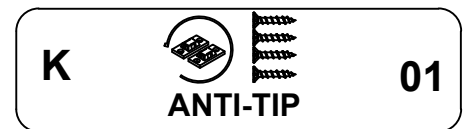
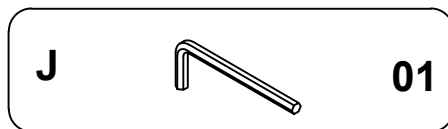
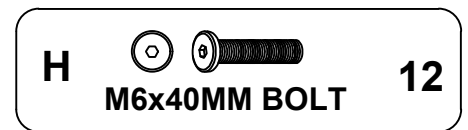
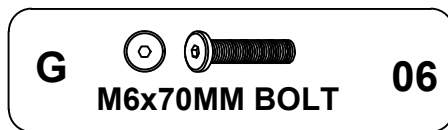
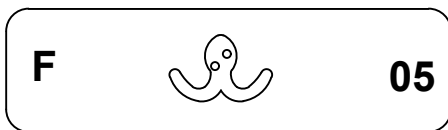
Tools Required



Part list - Wall Tree with Bench



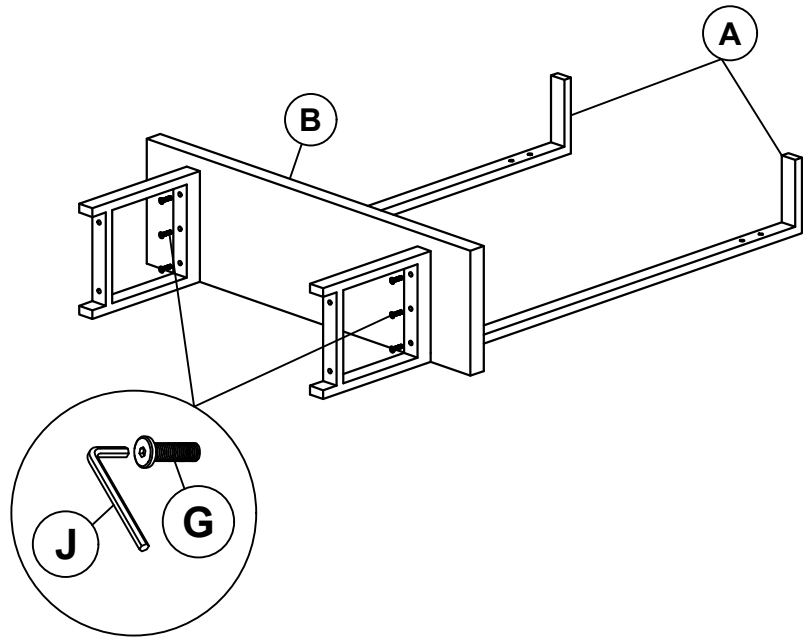
Identifying the hardware-Identify the hardware using the illustrations below



Step 01

G  **06**
M6x70MM BOLT

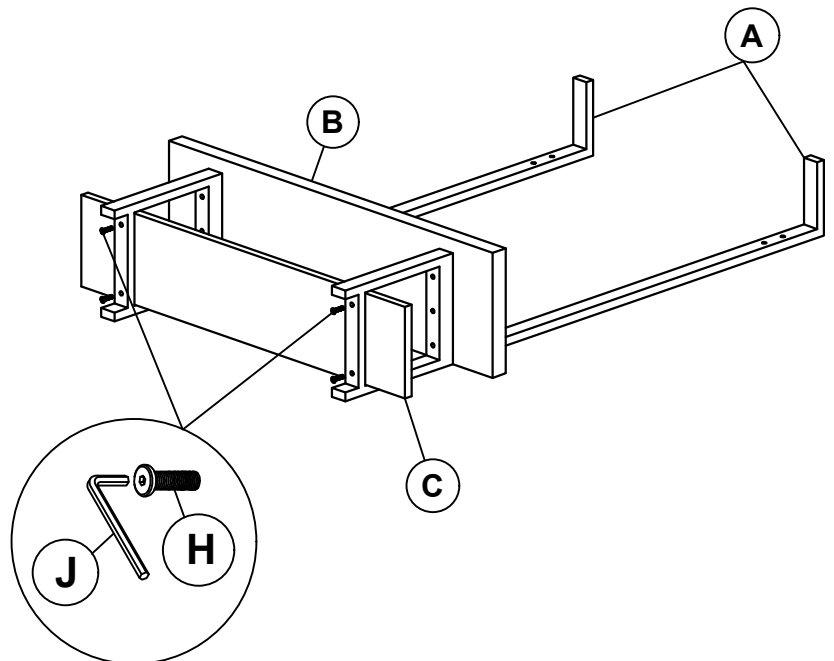
J  **01**




Step 02

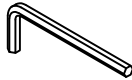
H  **04**
M6x40MM BOLT

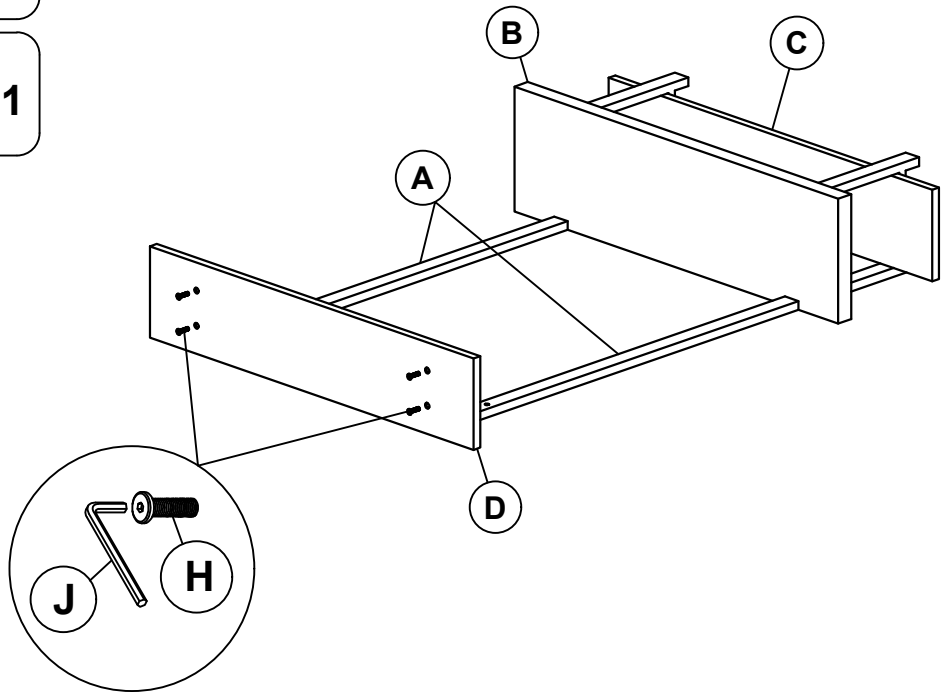
J  **01**




Step 03

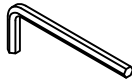
H  **04**
M6x45MM BOLT

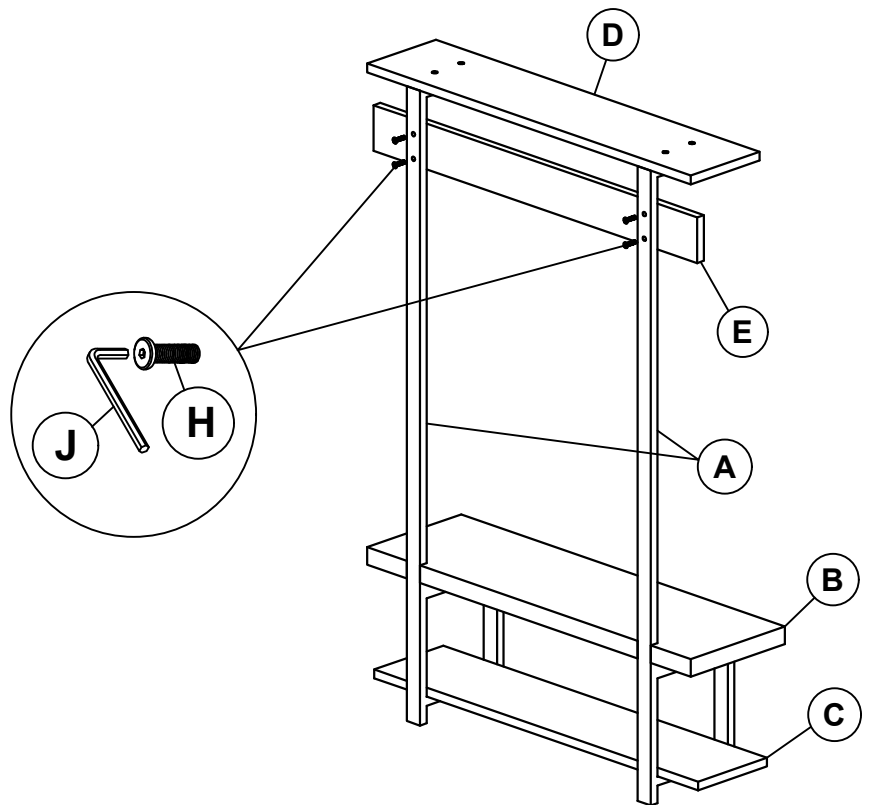
J  **01**



Step 04

H  **04**
M6x45MM BOLT

J  **01**



Step 05

F



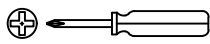
05

I

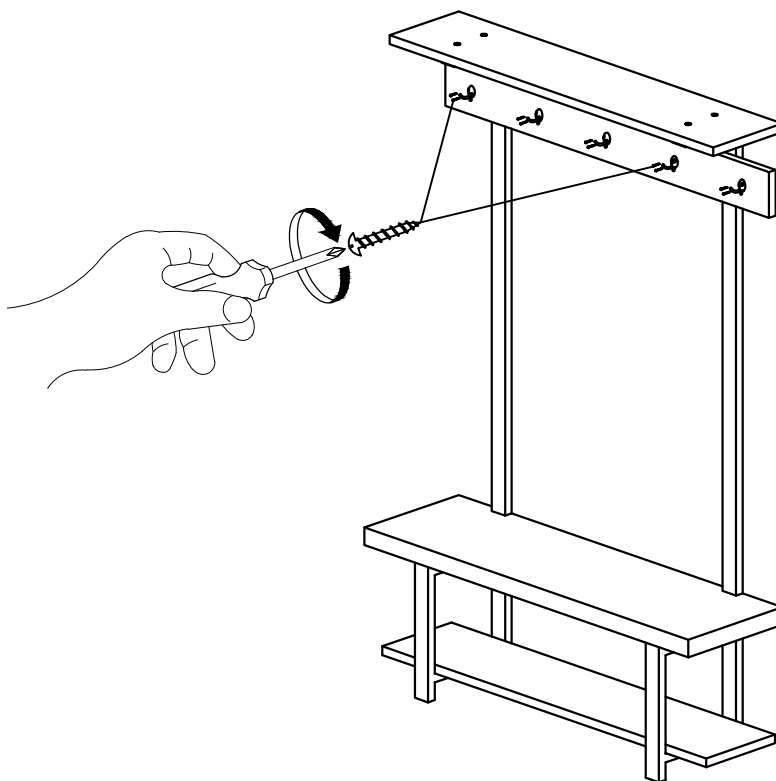


3x15 SCREW

10



(Not included)



www.boltonfurniture.com