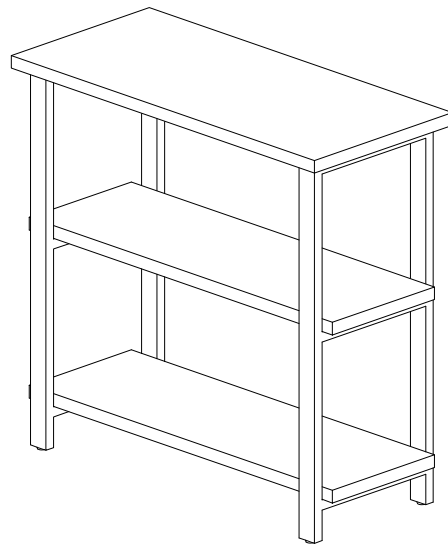


Alaterre Furniture

Under Window Bookcase



Thank you for purchasing the Under Window Bookcase from ALATERRE FURNITURE. We have found it helpful to have a second person present during the assembly process.

Under Window Bookcase Assembly Instructions

Parts

NO.	DRAWING	DESCRIPTION	QTY
A		METAL FRAME	2
B		TOP	1
C		SHELF	2

NO.	DRAWING	DESCRIPTION	QTY
D		M6x35MM BOLT	12
E		ALLEN KEY	1
F		ANTI-TIP	1

Step 1

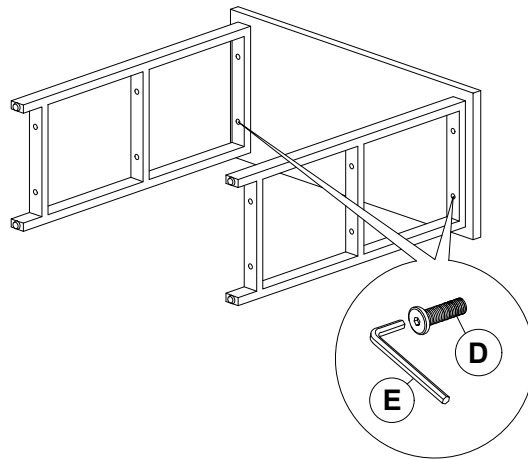
Read through these instructions thoroughly before beginning assembly. We have found this to be of great value when assembling this product.

Step 2

Remove all parts and hardware from packing material. Wooden pieces should be placed on a non abrasive surface to prevent damage to the finish

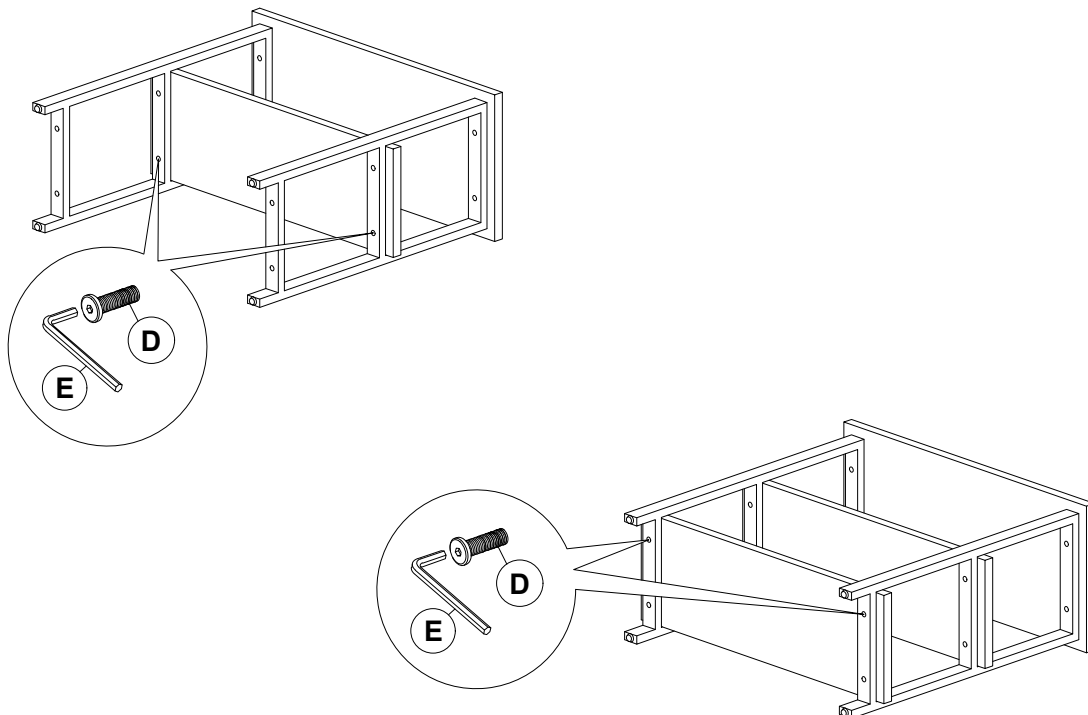
Step 3

Lay Metal Frame Assembly (A) on a non abrasive surface. Attach Top (B) to Metal Frame (A) using 4-M6x35MM Hex Bolts (D). NOTE: DO NOT TIGHTEN ALL BOLTS AT THIS TIME !



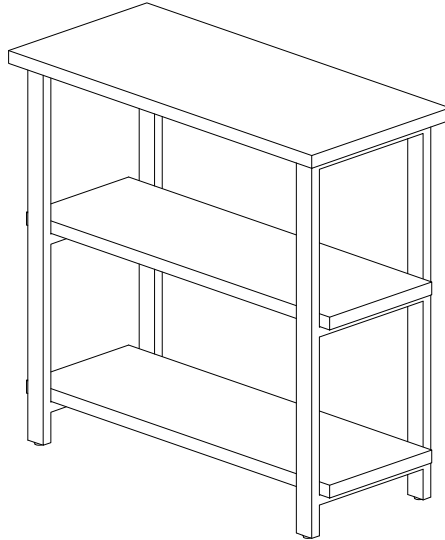
Step 4

Attach Shelf (C) to Metal Frame (A) using 8-M6x35MM Hex Bolts (D). NOTE: TIGHTEN ALL BOLTS AT THIS TIME !



Step 5

Set Under Window Bookcase upright. Adjust levelers in bottom of legs as necessary. Attach to Wall using Anti Tip Kit



CARE

Clean with a non abrasive cloth using a mild soap. Make sure to wipe dry.

REPLACEMENT PARTS:

For best service, to order replacement parts go to www.alaterrefurniture.com. Use the order form on the website to order your replacement parts. Thank You!