

Dear Customer!

**If hardware is missing or parts
get damaged in shipping,
DO NOT RETURN ENTIRE ITEM.**

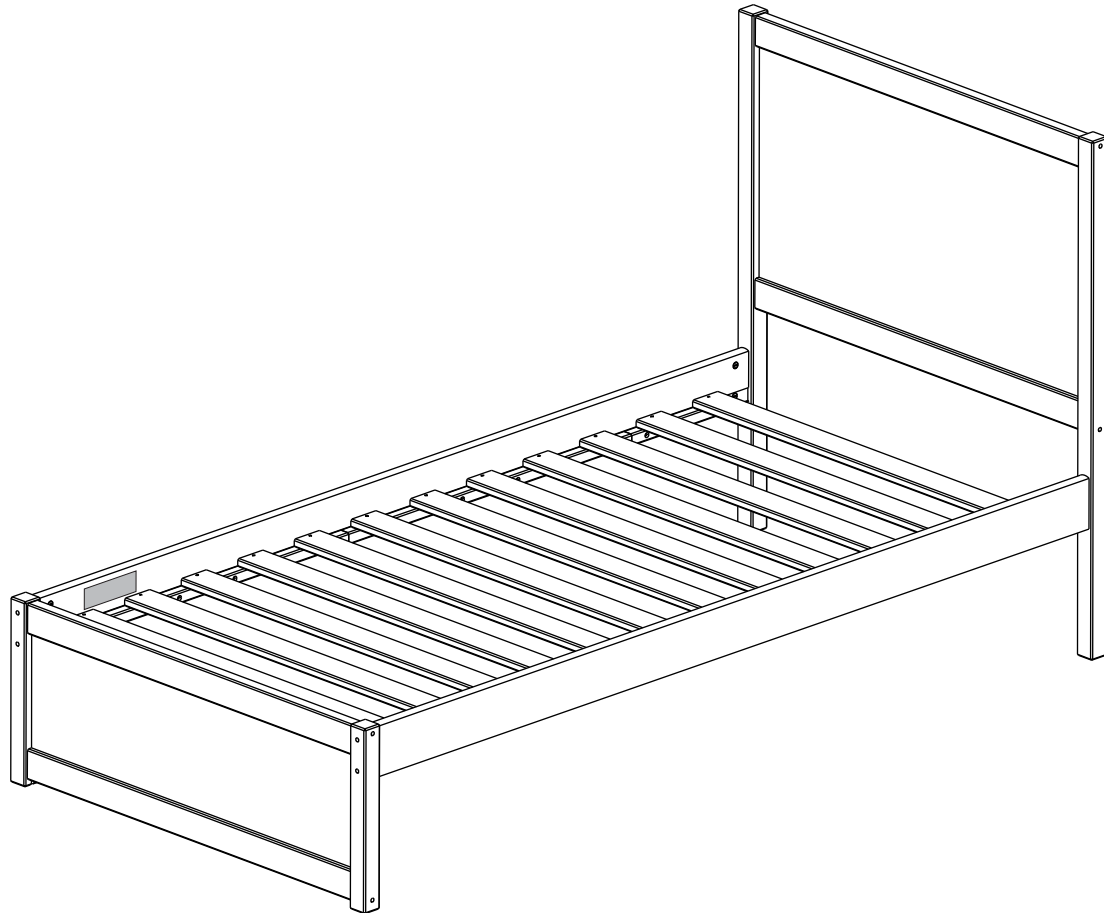
**We can replace hardware and any parts
Free of Charge.**

**For best Customer Service experience,
visit our web site at www.boltonfurniture.com
click on Replacement Parts Tab
at top of page to order replacement
hardware or parts.**

We will ship replacements directly to you.

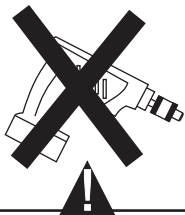
ASSEMBLY INSTRUCTIONS

TWIN MOD BED

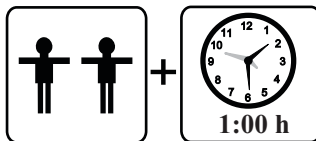


REPLACEMENT PARTS

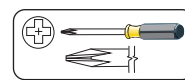
Please do not contact the company purchased from as we can help you faster.
Order replacement parts and hardware at "alaterrefurniture.com"



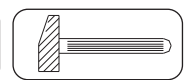
* Use of power tool to assemble this product will invalidate any claim and damage this product making it unsafe!!!
* Please assemble on a clean soft surface to avoid damage.



Tools Required

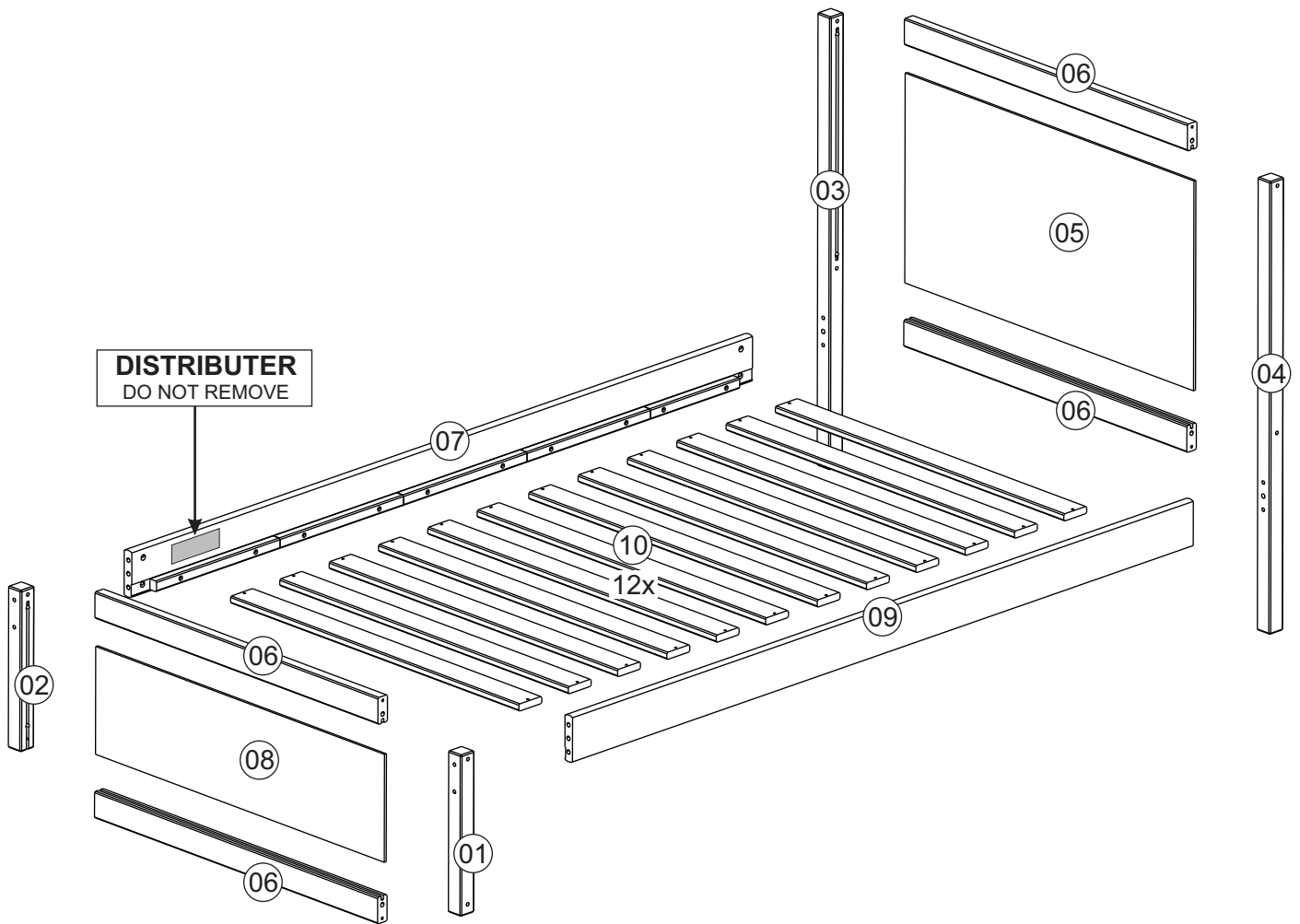


(Not included)

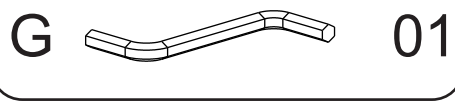
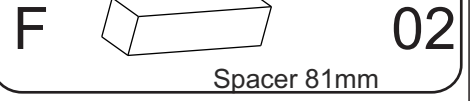
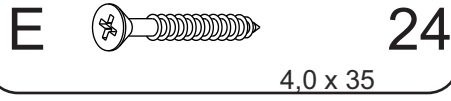
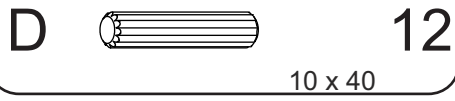
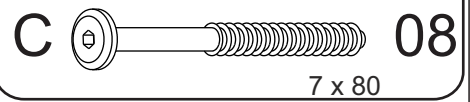
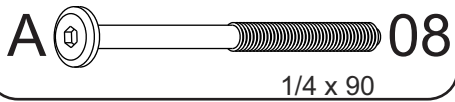


(Not included)


Part List - Twin MOD Bed



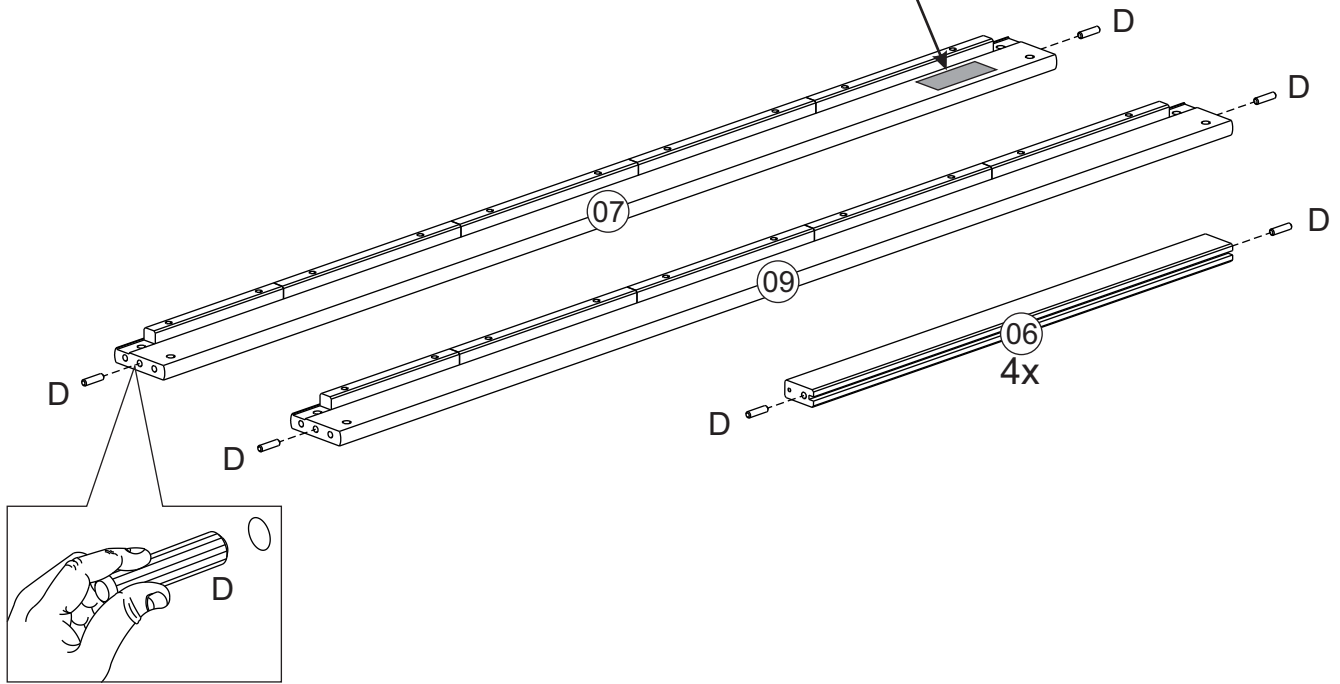
Identifying the Hardware - Identifying the Hardware using the illustrations below.



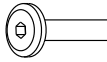
01


D  **12**
10 x 40

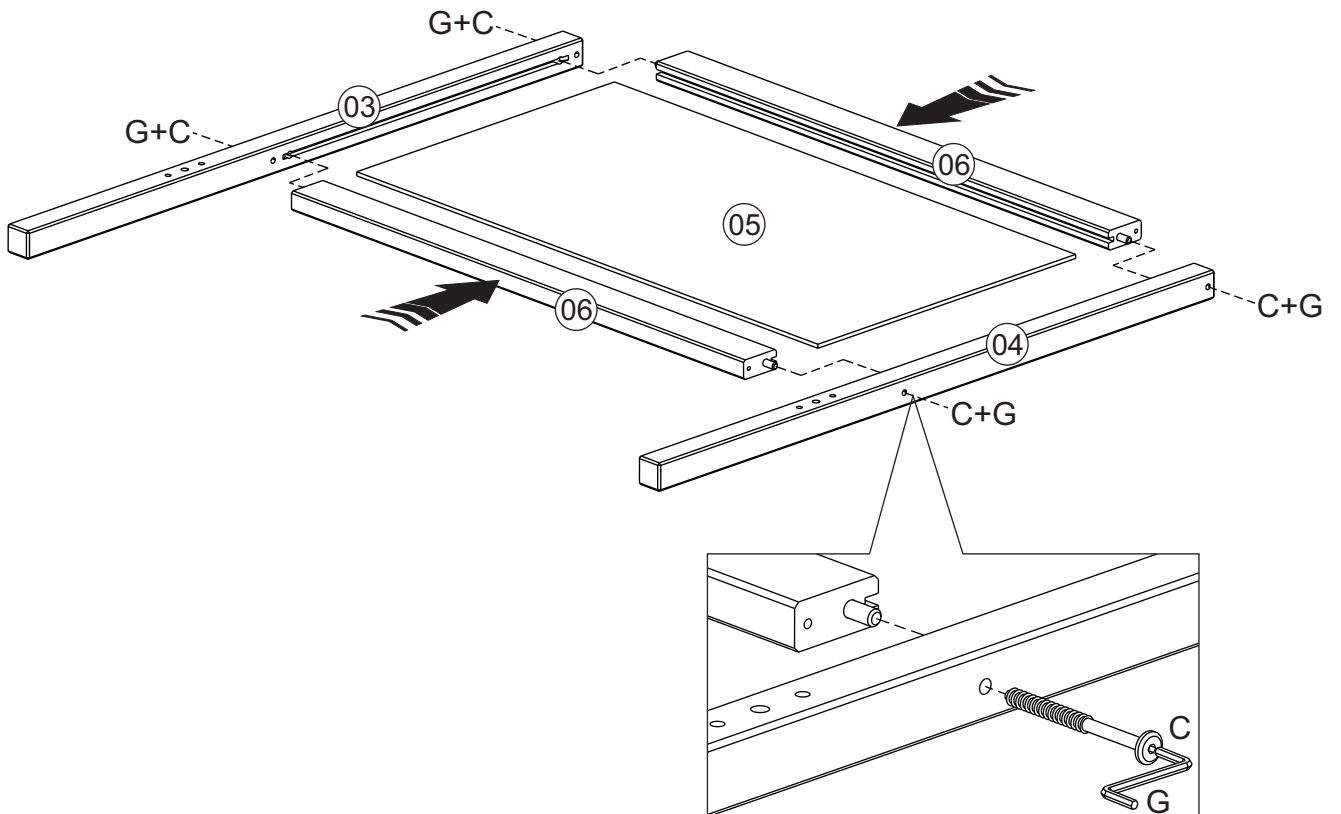
DISTRIBUTER
DO NOT REMOVE



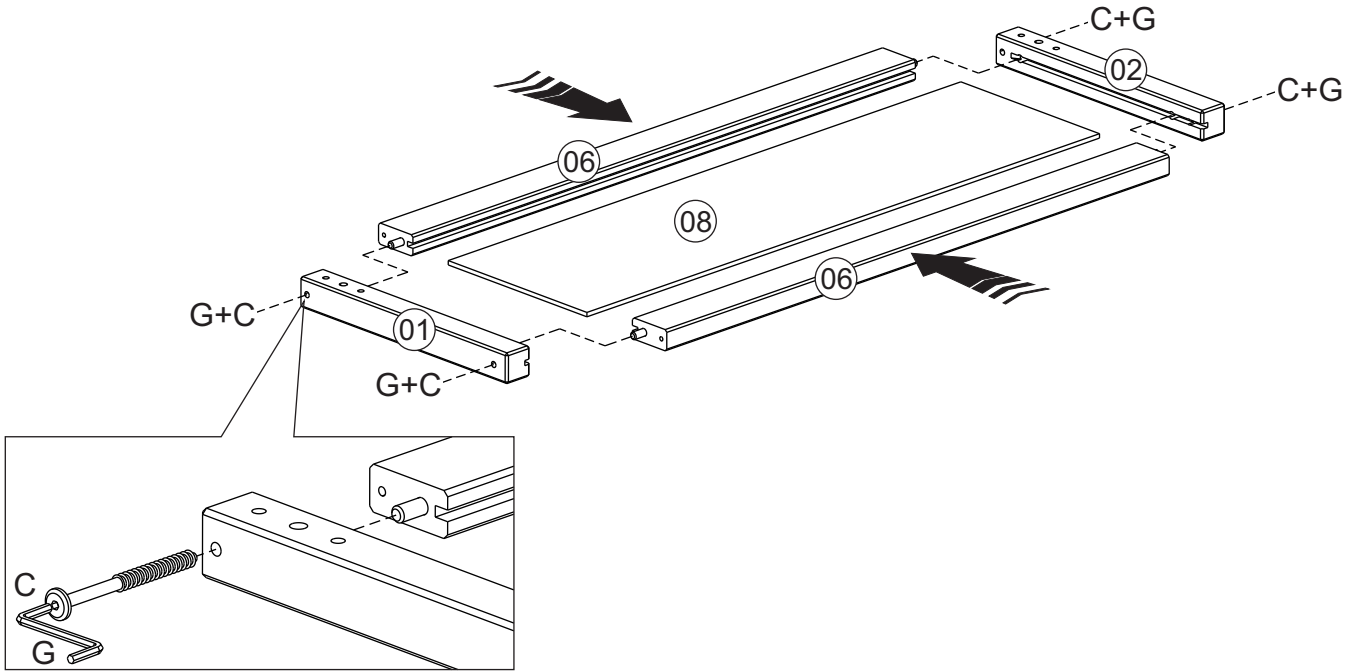
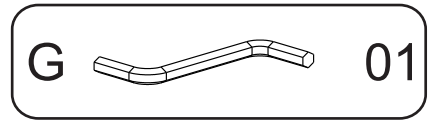
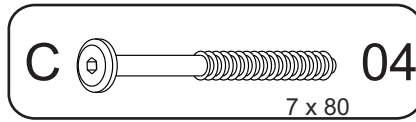
02

C  **04**
7 x 80

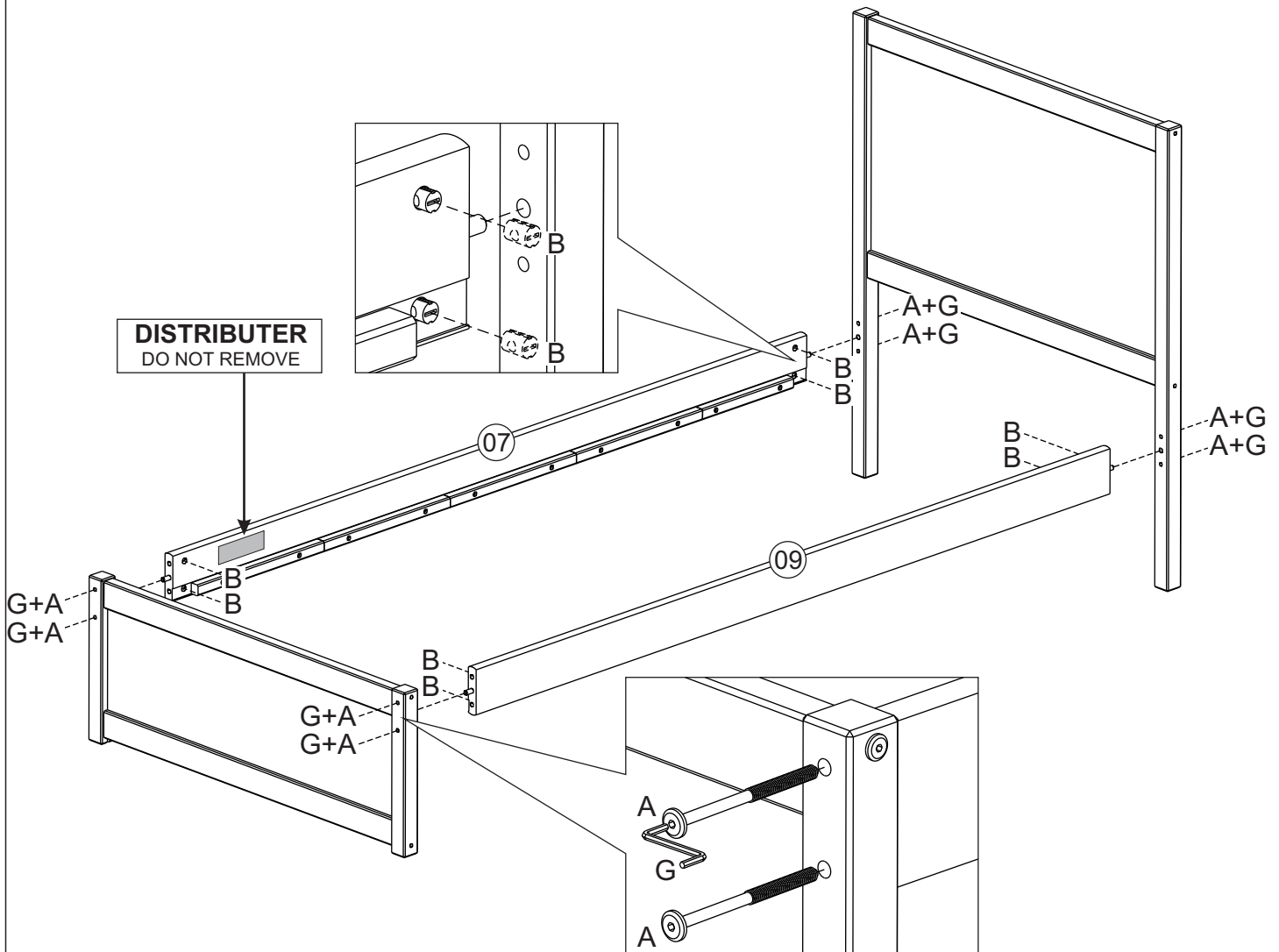
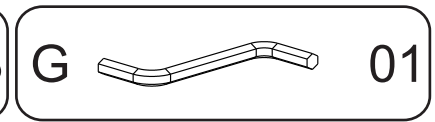
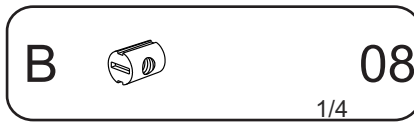
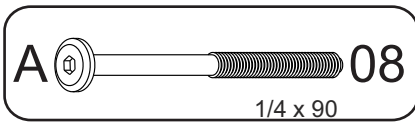
G  **01**



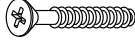
03




04



05

E  24
4.0 x 35

F  02
Spacer 81

