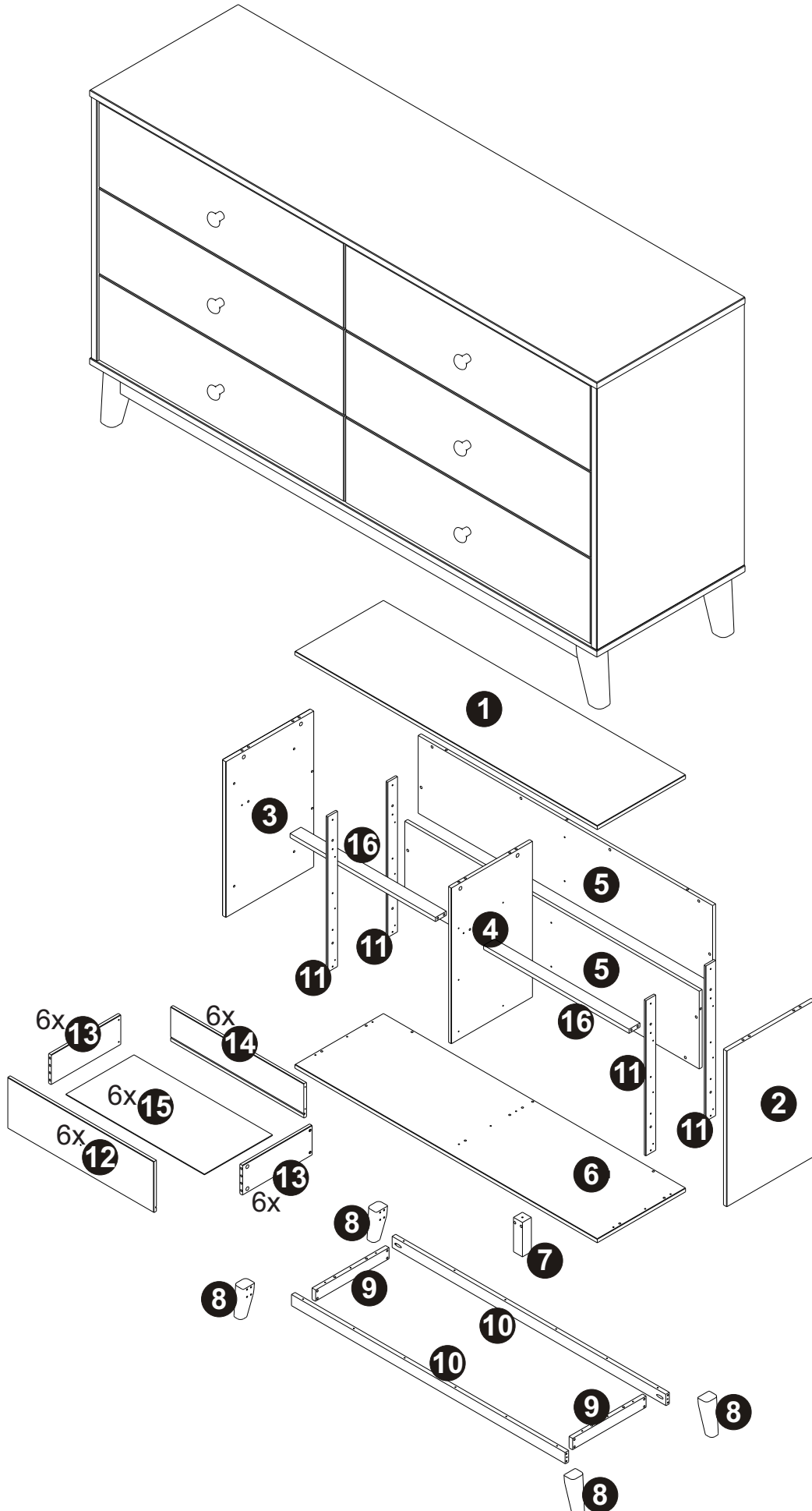
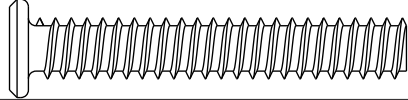
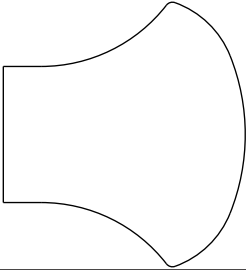

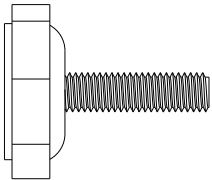
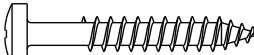
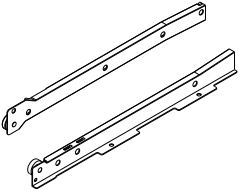
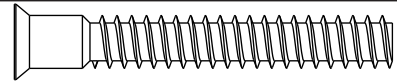
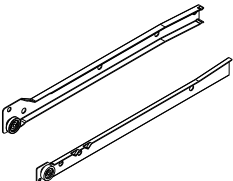
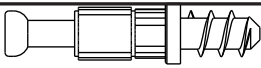


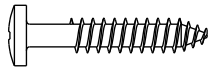




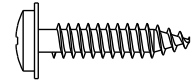
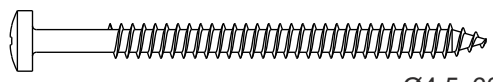
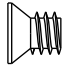
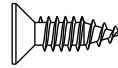
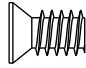
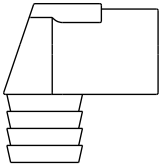
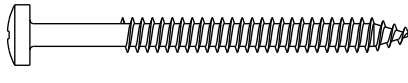


# ASSEMBLY INSTRUCTIONS MOD 6 DRAWER DRESSER



A		Ø7x50mm	08	Q		06
B		Ø6x40mm	08	R		05
C		Ø4x30mm	38	S		06
D		Ø7x50mm	01	T		06
E		Ø5x12mm	30	U		01
F		Ø8x20mm	08	V		12
G		Ø15x11mm	30	X		01
H		Ø8x30mm	58			
I		Ø4x40mm	13			
J		Ø4x20mm	20			
K		Ø4,5x60mm	18			
L		Ø6x7mm	12			
M		Ø3,5x14mm	24			
N		Ø6x10mm	12			
O			12			
P		Ø4x50mm	02			

### REPLACEMENT PARTS

Please do not contact the company purchased from as we can help you faster. Order replacement parts and hardware at "[www.boltonfurniture.com](http://www.boltonfurniture.com)".

### Tools Required

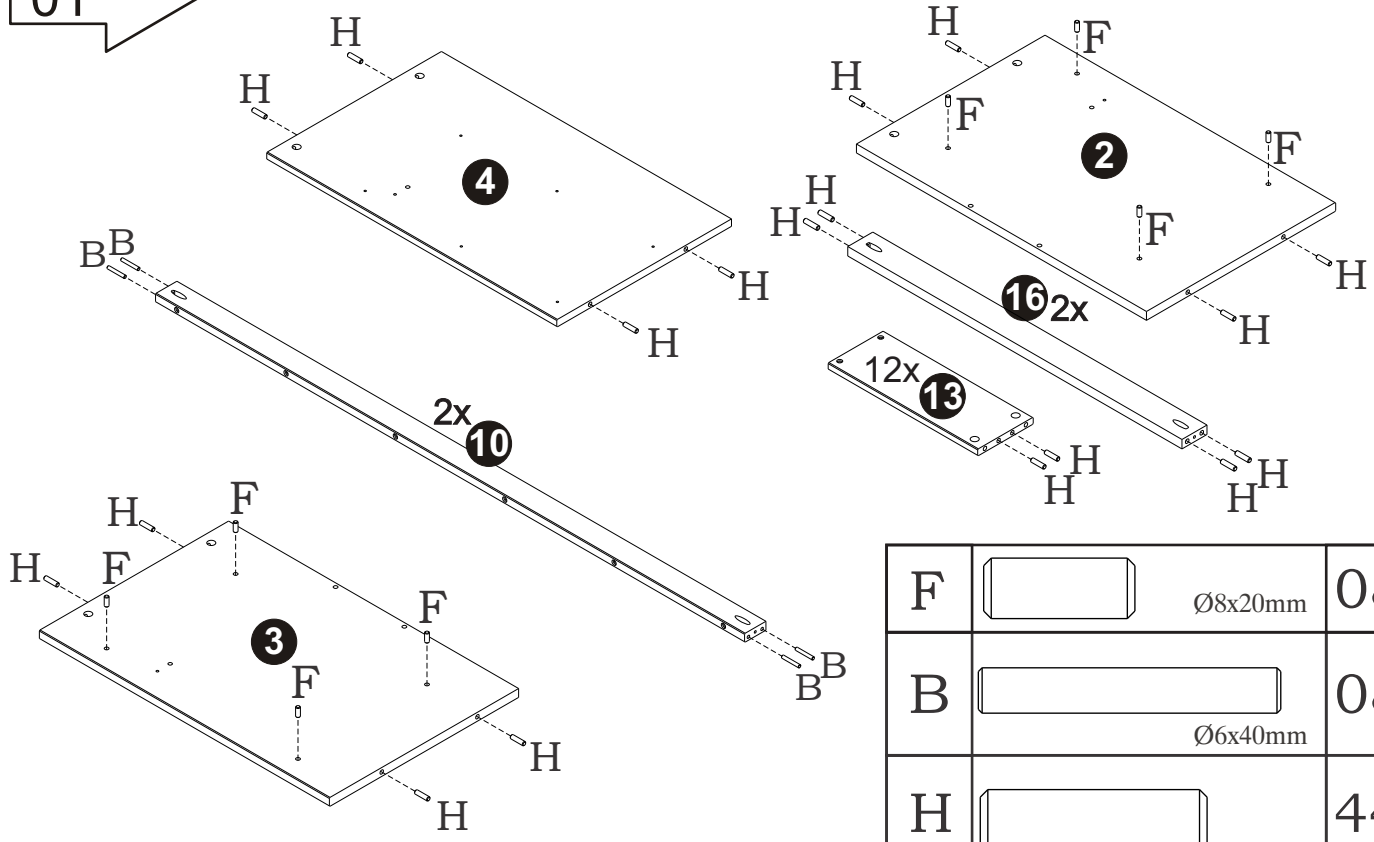
 Phillips Tool



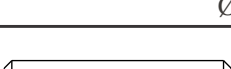


Hammer

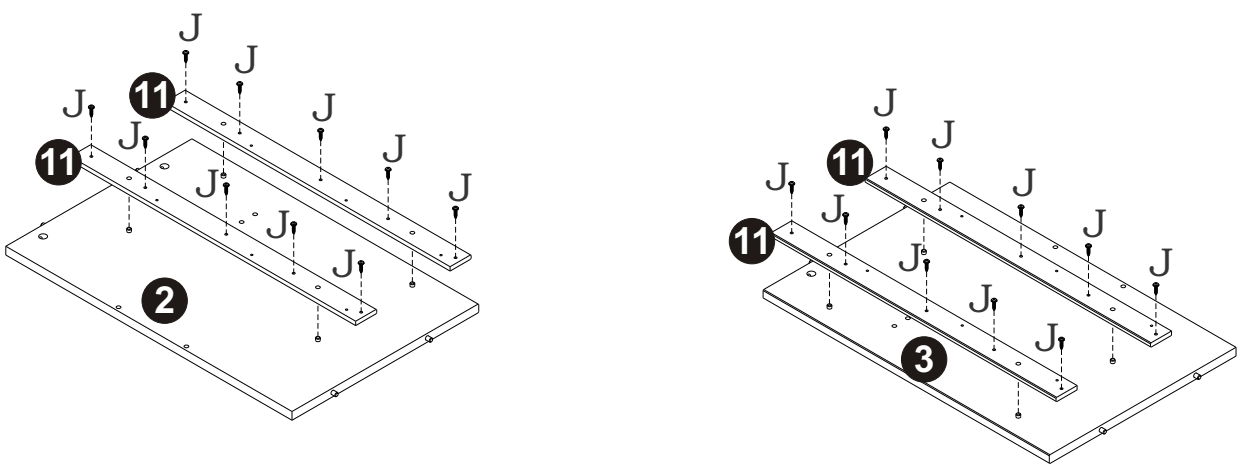
\* These tools are not supplied by the manufacturer

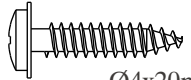
01



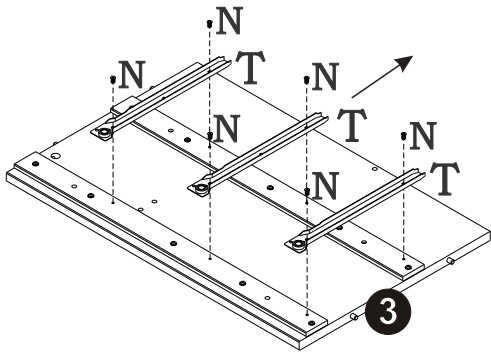
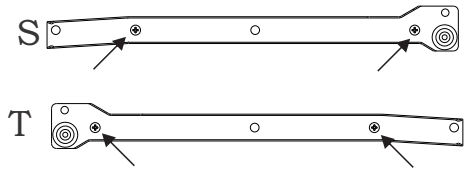
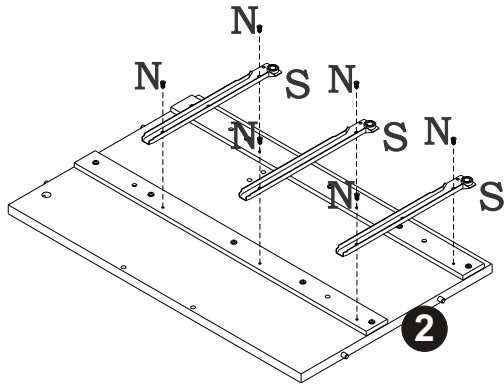
F		Ø8x20mm	08
B		Ø6x40mm	08
H		Ø8x30mm	44

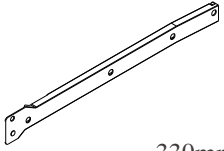
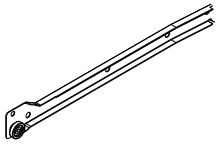
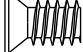
02



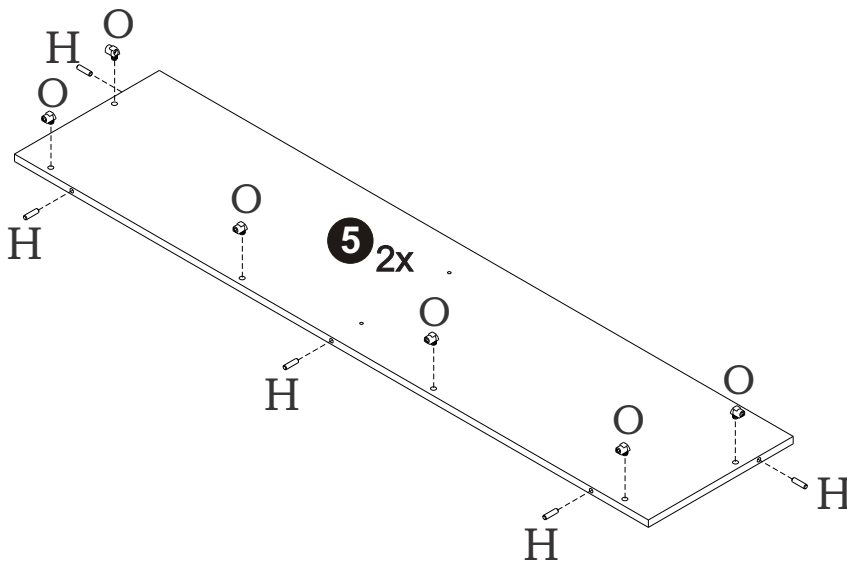
J		Ø4x20mm	20
---	---	---------	----

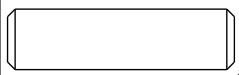
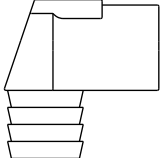
03



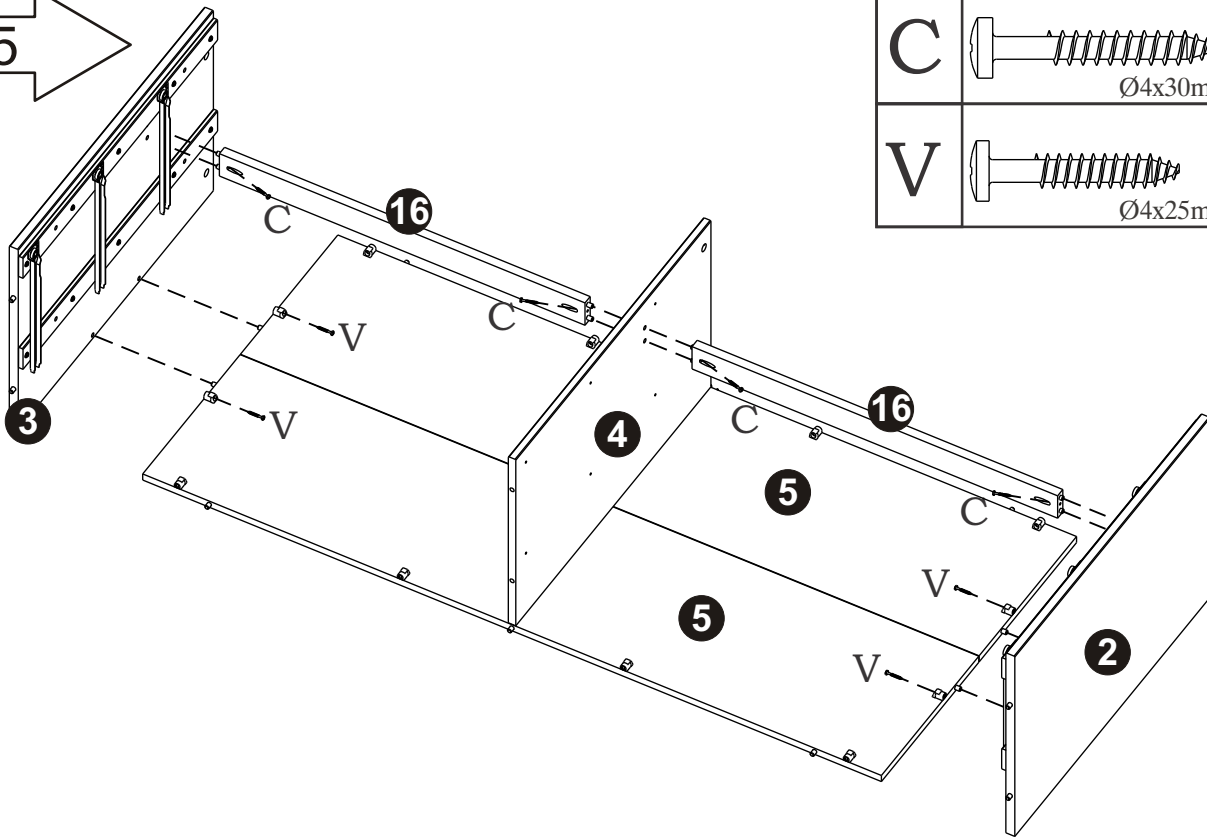
S	 330mm	03
T	 330mm	03
N	 Ø6x10mm	12

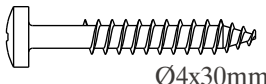
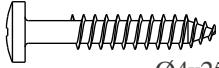
04



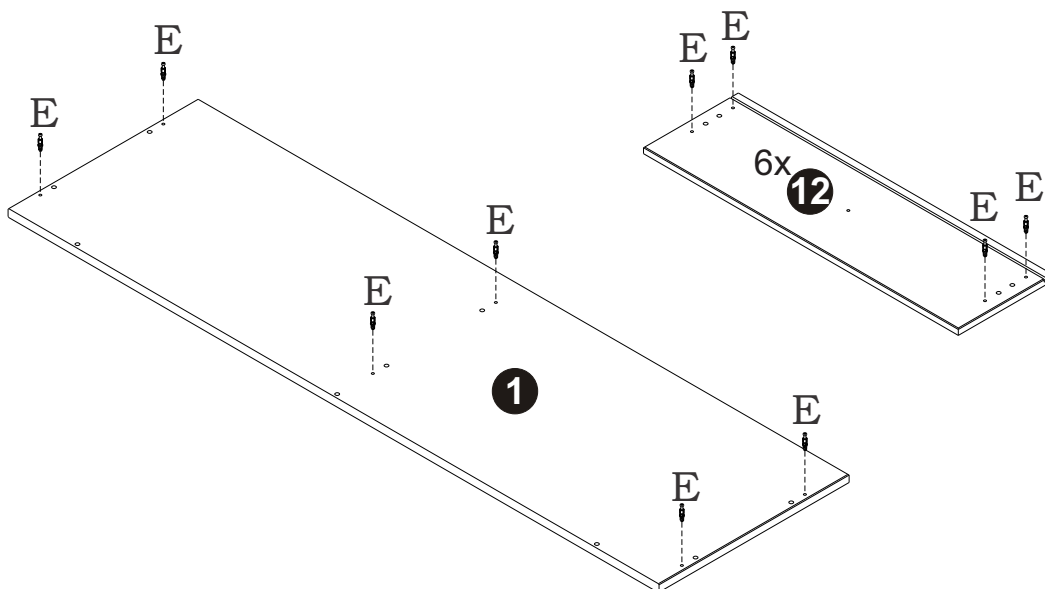
H	 Ø8x30mm	10
O		12

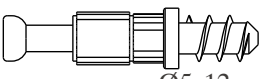
05



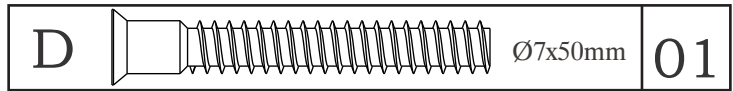
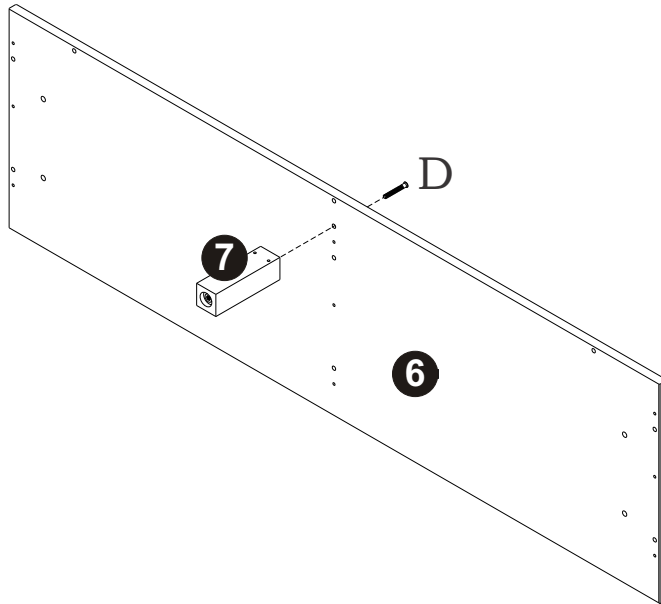
C	 Ø4x30mm	04
V	 Ø4x25mm	04

06

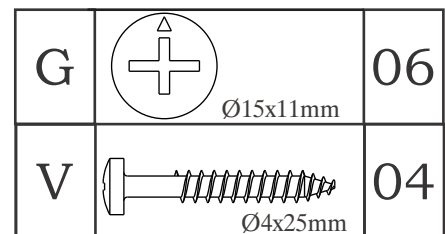
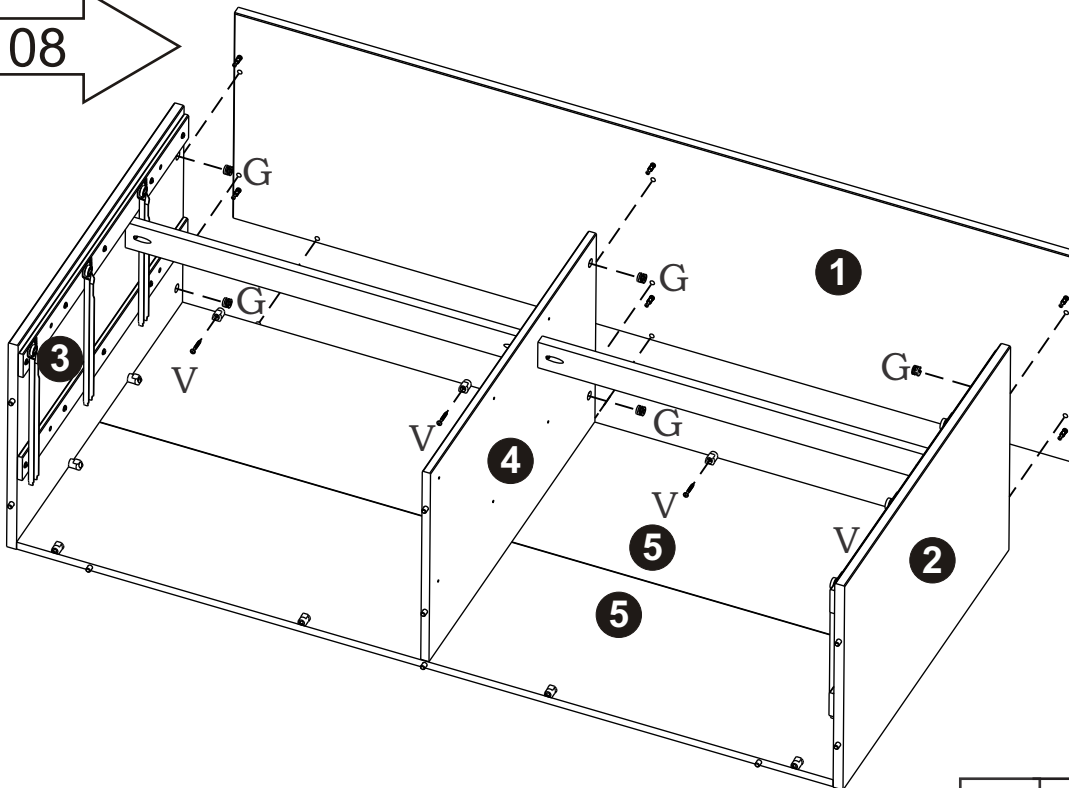


E	 Ø5x12mm	30
---	--	----

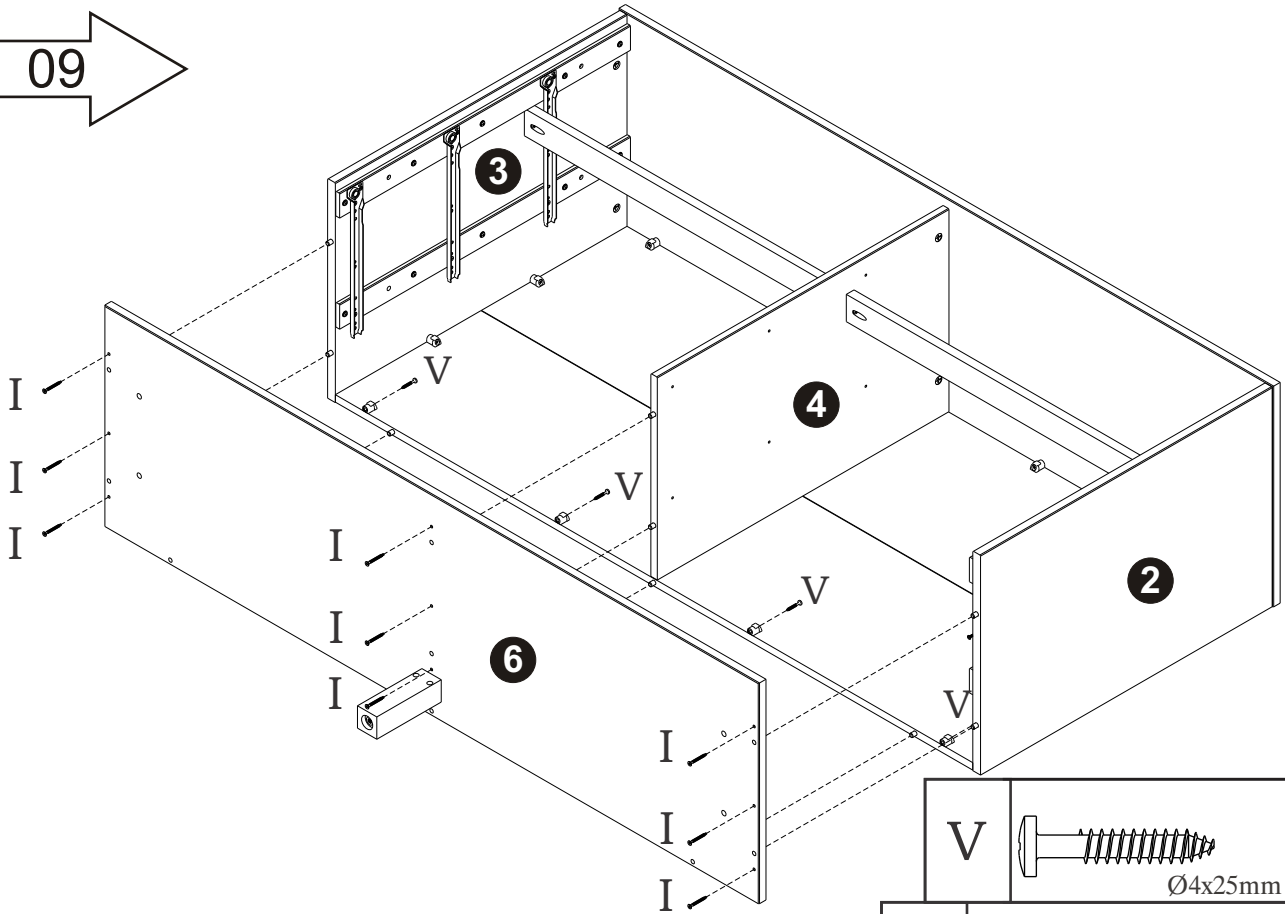
07

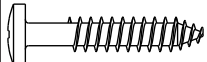



08



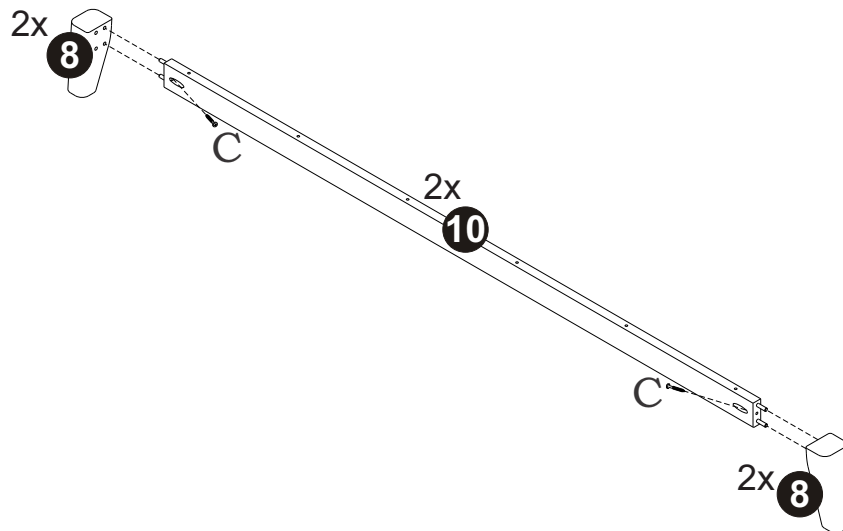
09

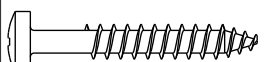


V		04
Ø4x25mm		

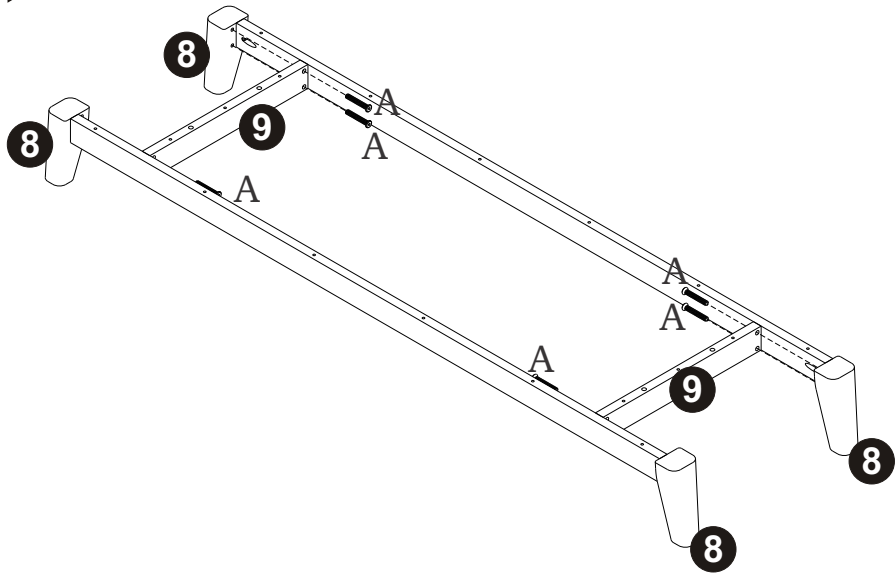
I		09
Ø4x40mm		

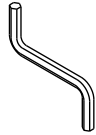
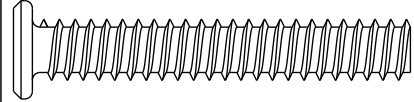
10



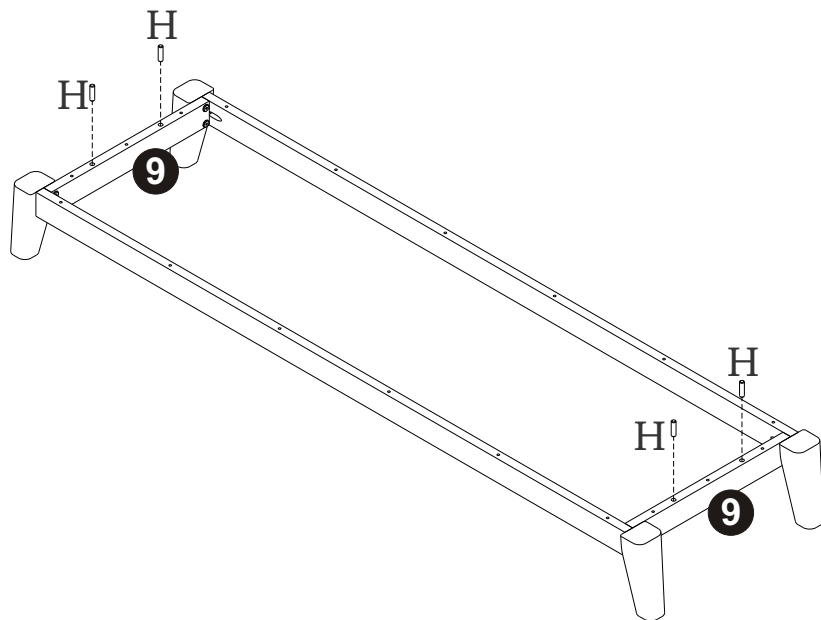
C		04
Ø4x30mm		


11



U		01
A	 Ø7x50mm	08

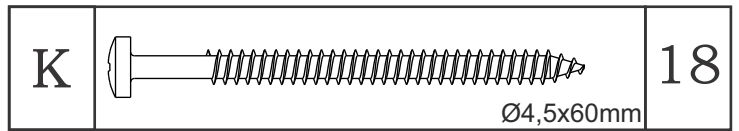
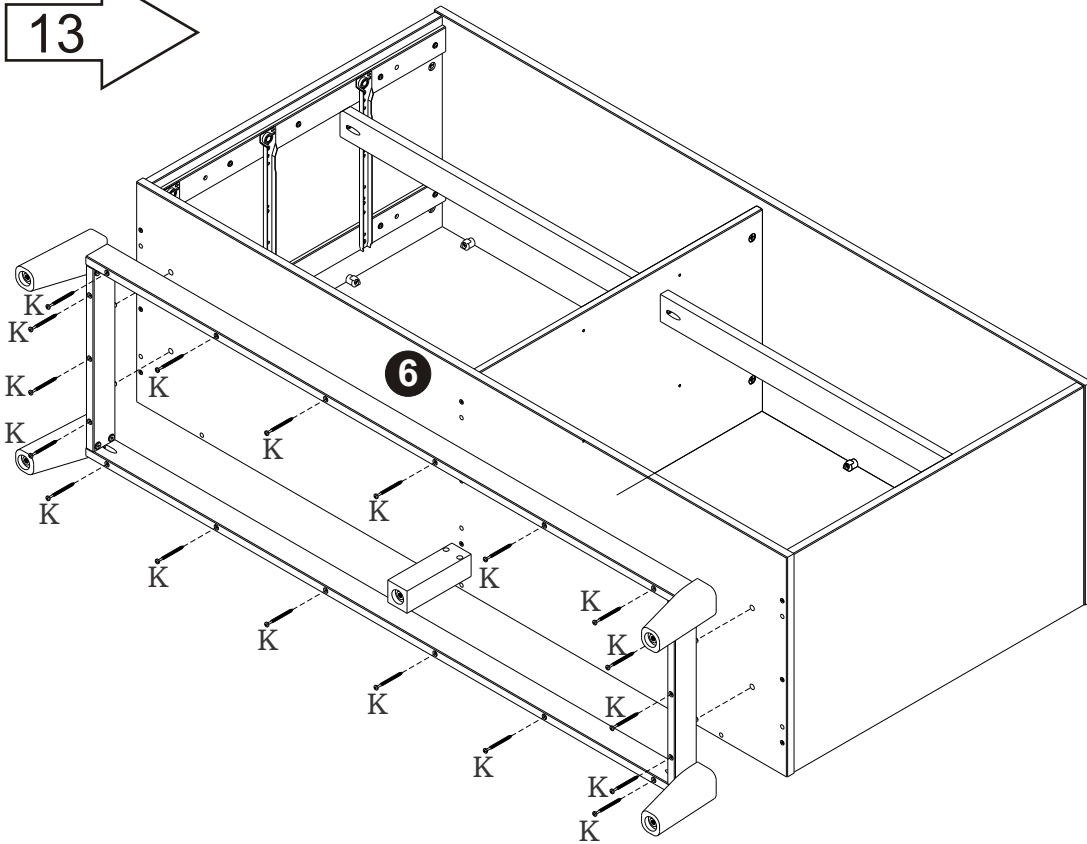
12



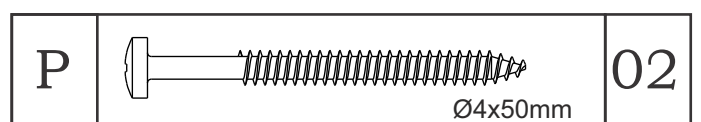
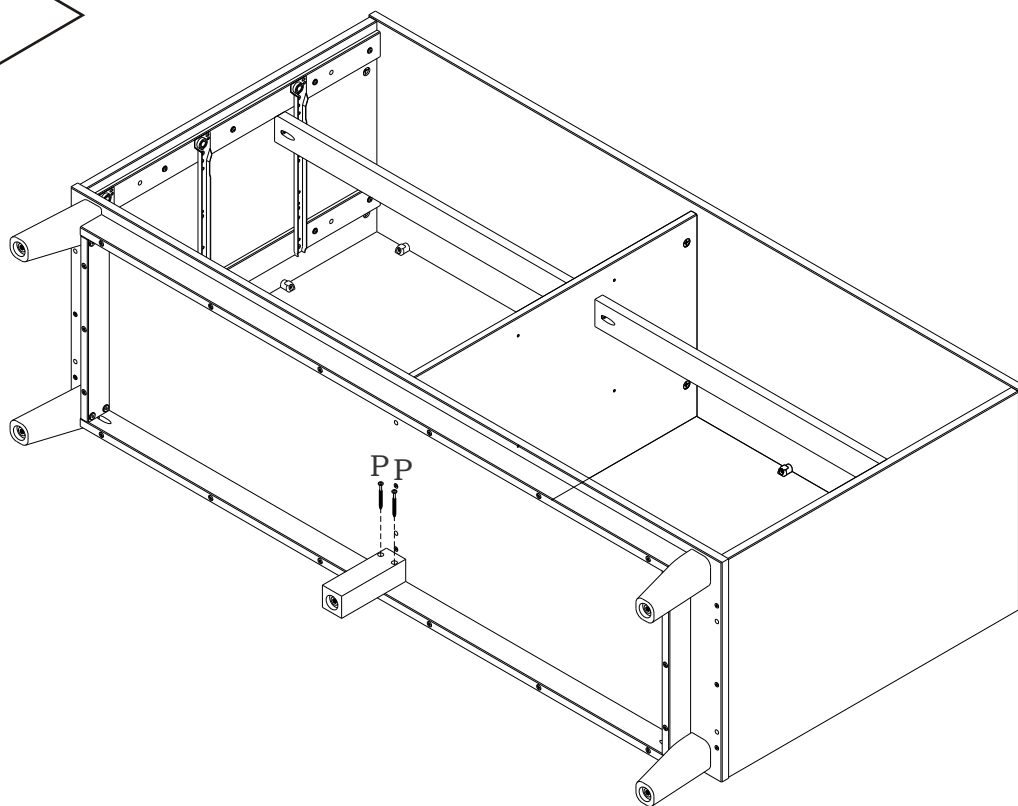
H	 Ø8x30mm	04
---	---	----



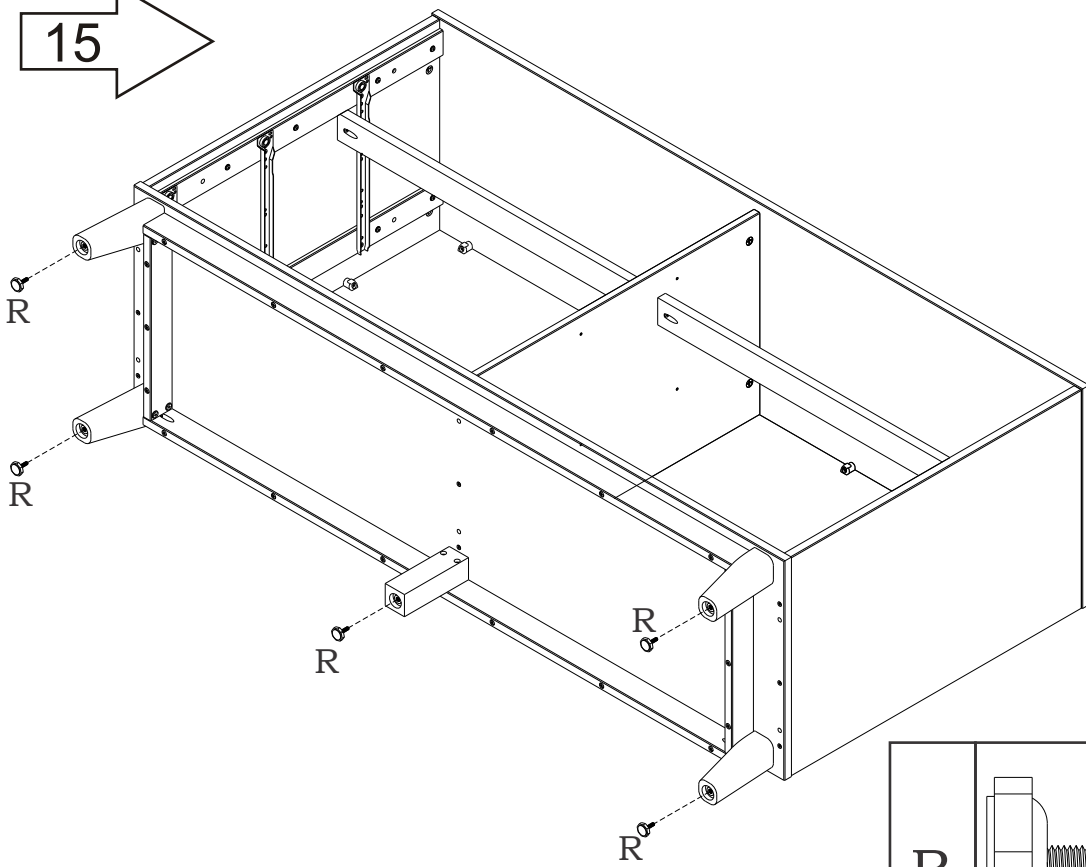
13

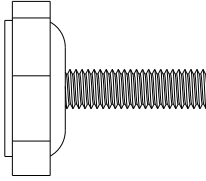


14

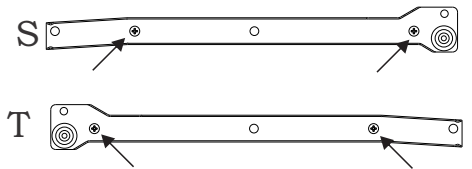
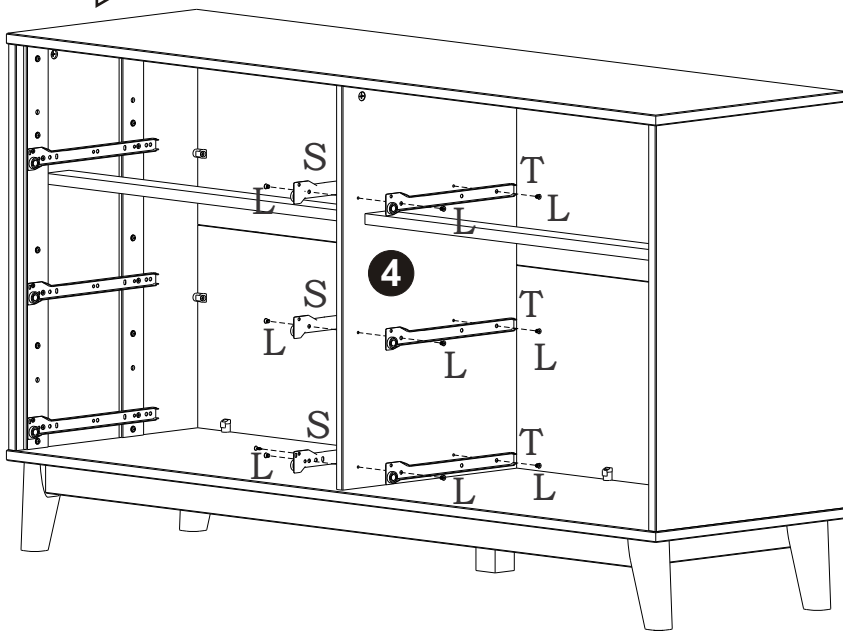


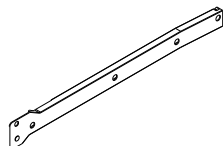
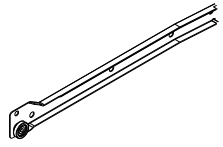

15



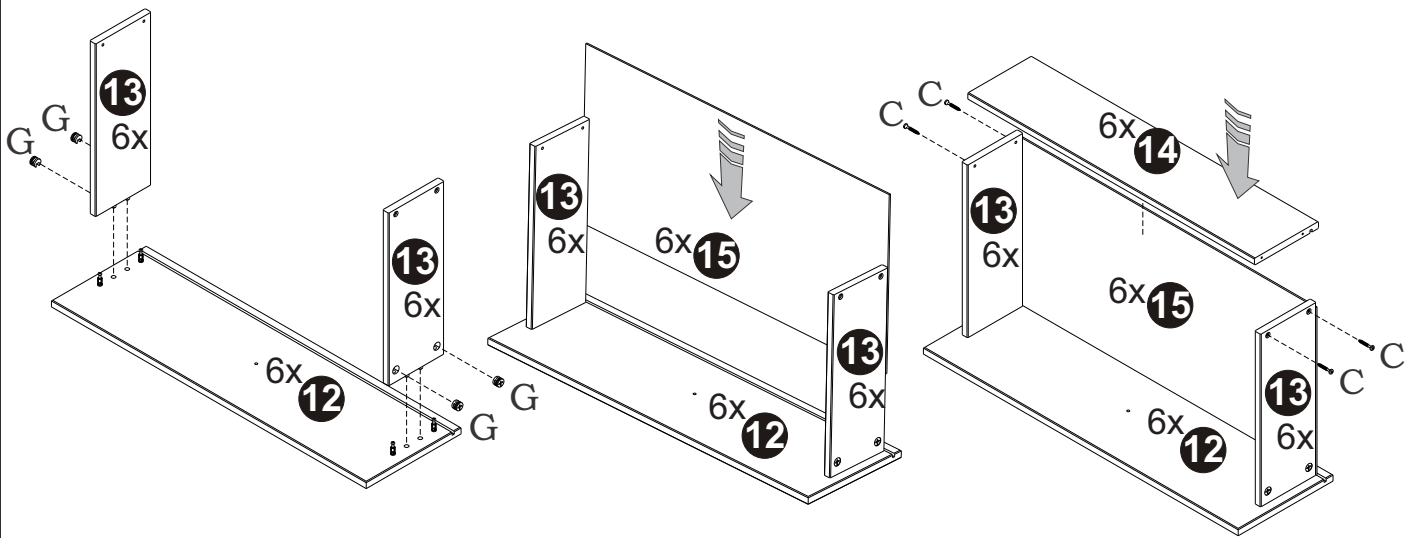
R		05
27x23mm		


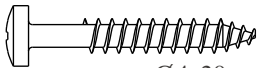
16



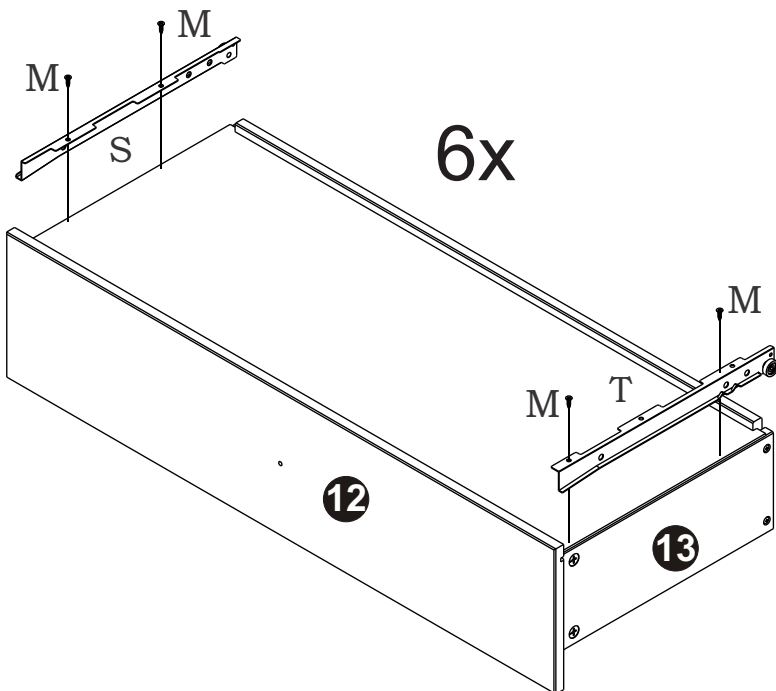
S		03
330mm		
T		03
330mm		
L		12
Ø6x7mm		

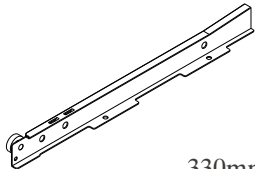
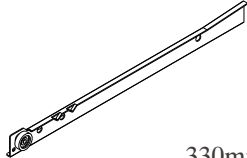
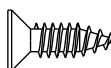
17



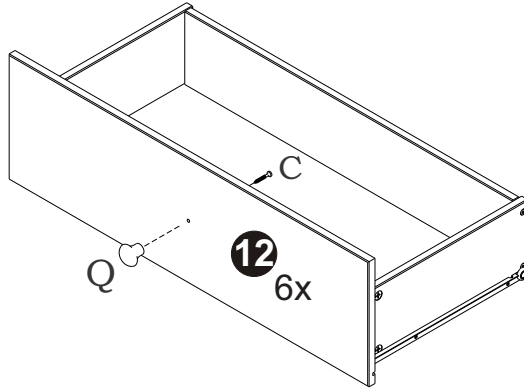
G	 Ø15x11mm	24
C	 Ø4x30mm	24

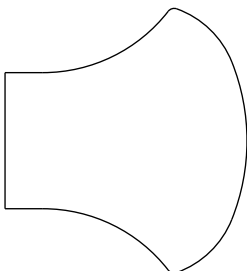
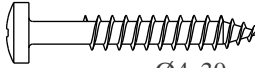
18



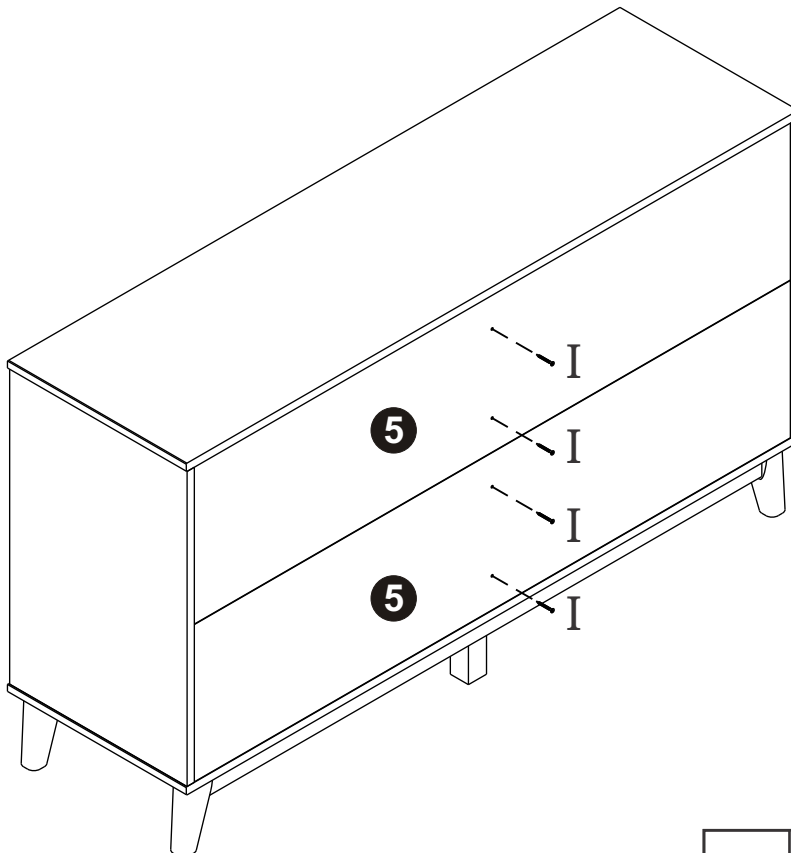
S	 330mm	06
T	 330mm	06
M	 Ø3,5x14mm	24

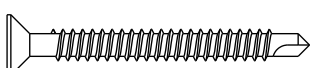
19



Q		06
C	 Ø4x30mm	06

20



I	 Ø4x40mm	04
---	--	----

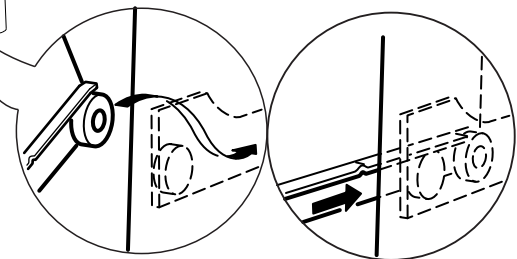
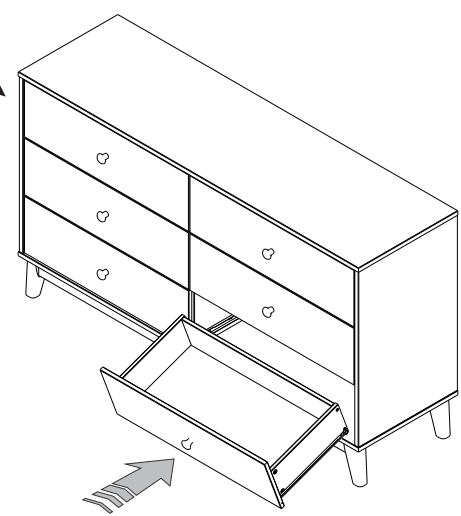
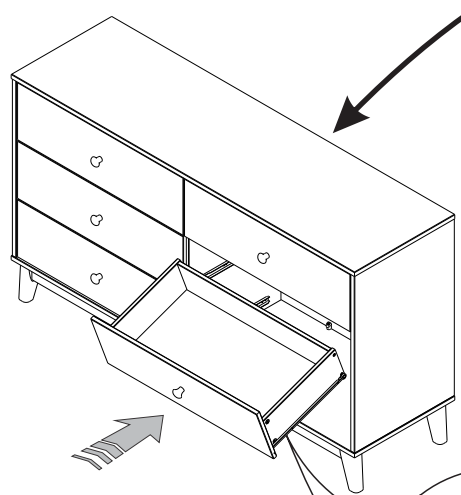
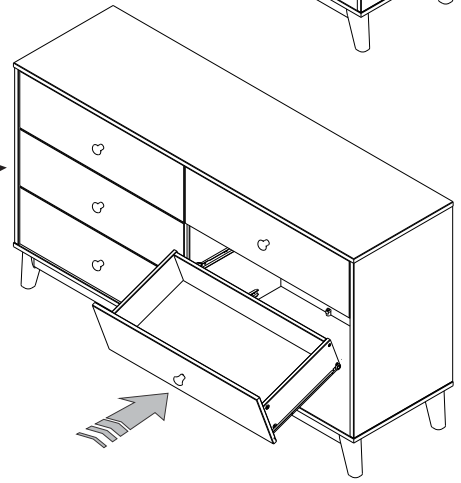
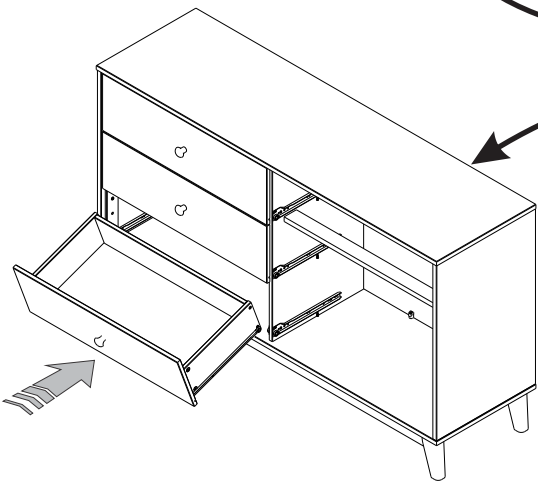
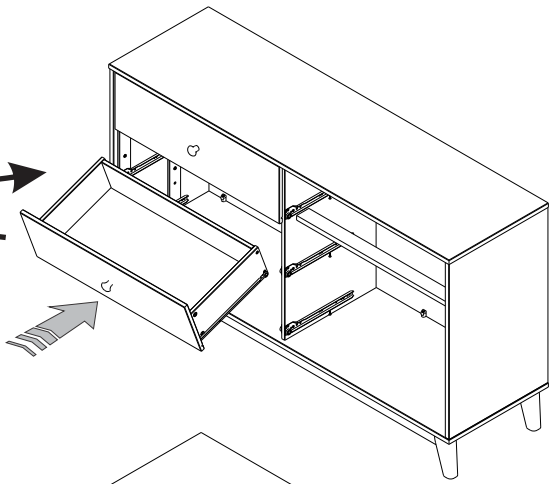
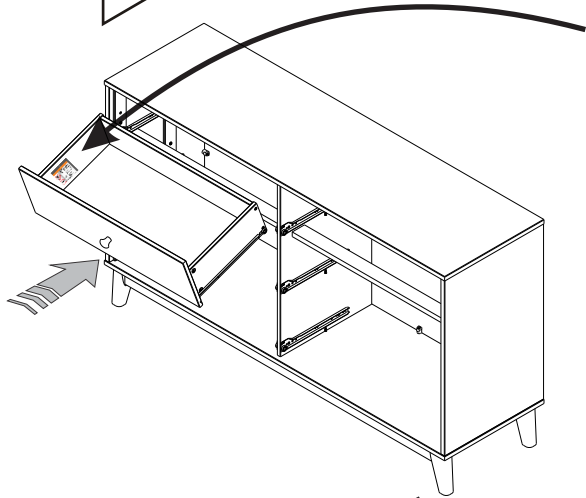
21

**WARNING**

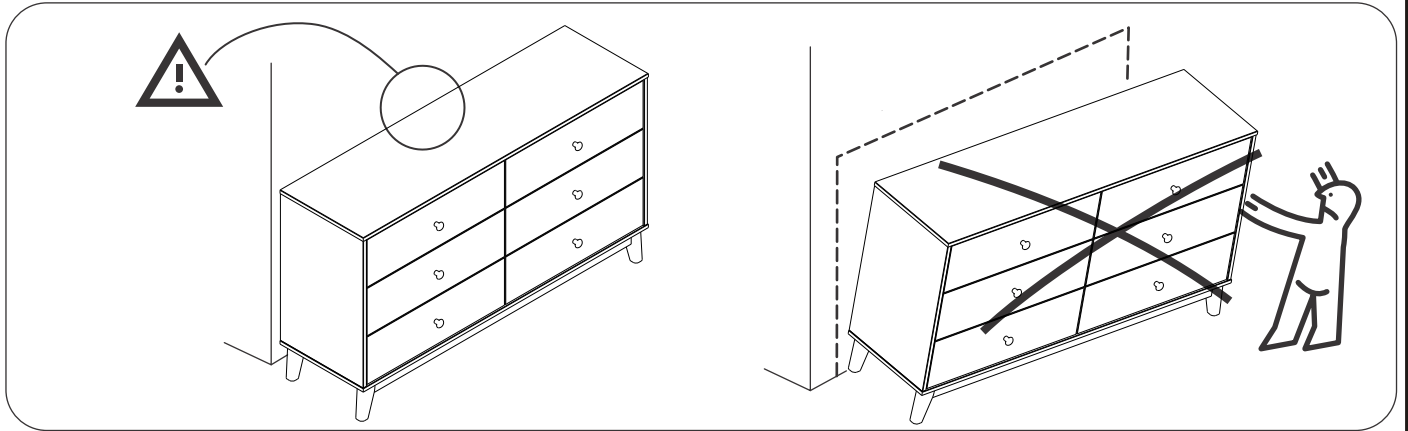
Children have died from furniture tipover. To reduce the risk of furniture tipover:

- ALWAYS install tipover restraint provided.
- NEVER put a TV on this product.
- NEVER allow children to stand, climb or hang on drawers, doors, or shelves.
- NEVER open more than one drawer at a time.
- Place heaviest items in the lowest drawers.

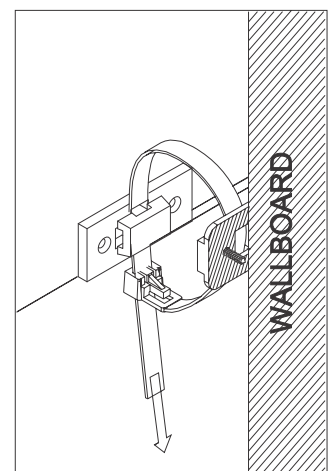
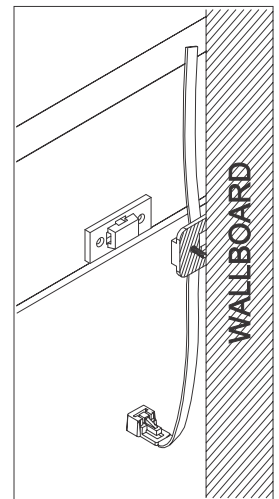
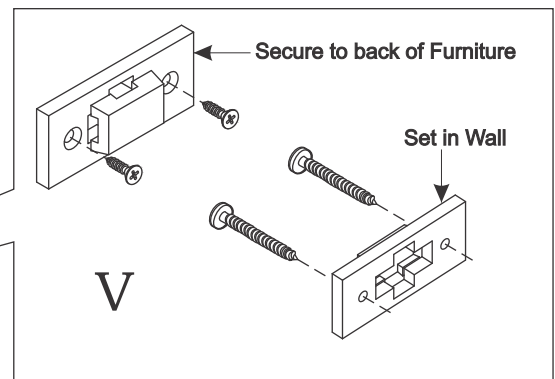
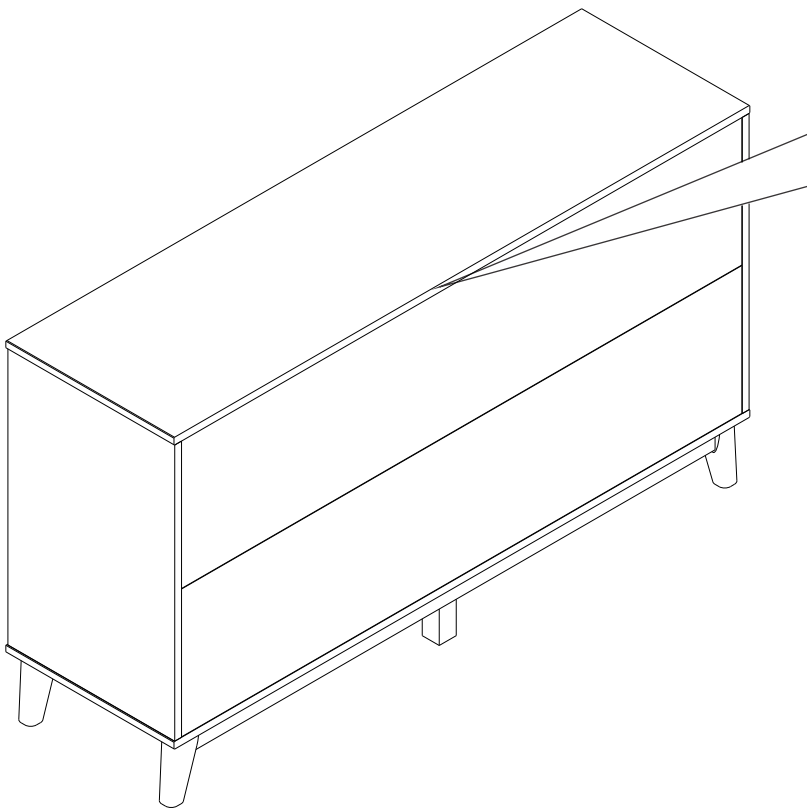
*This is a permanent label. Do not remove!*




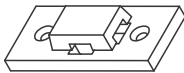


22



## Secure to Stud behind Wallboard.



Secure to Stud behind Wallboard!

V	Hardware of WallBoard			
	 Ø4x30mm	02		02
	 Ø4x16mm	02	 140mm	01