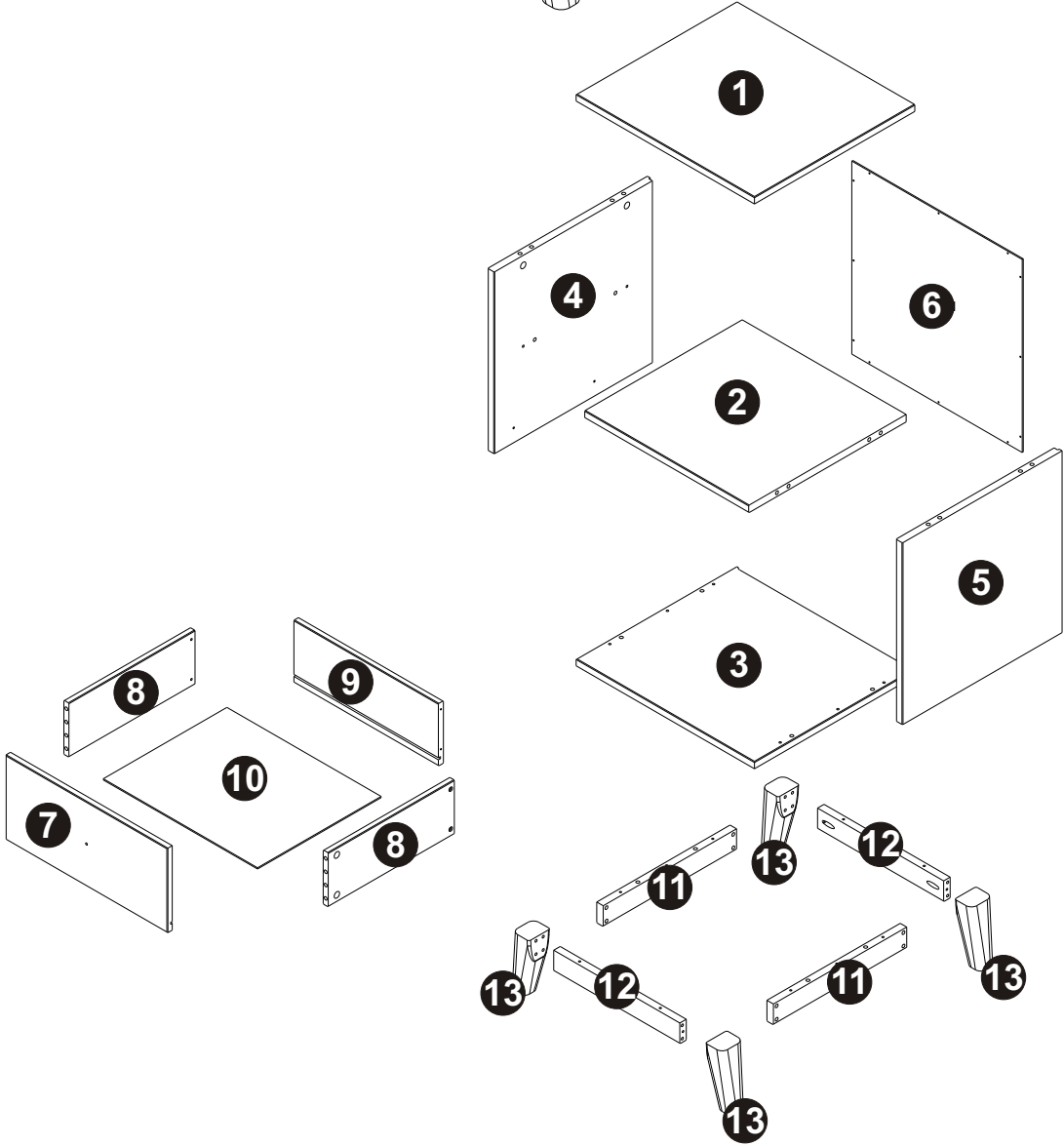
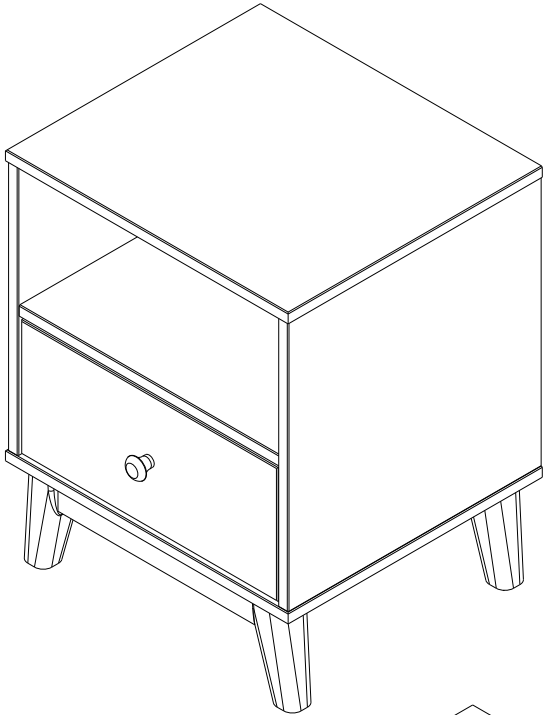
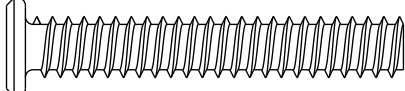
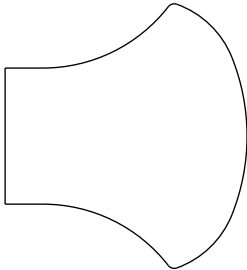
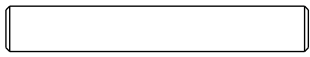
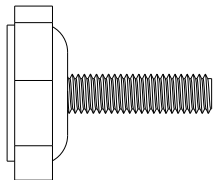
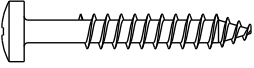
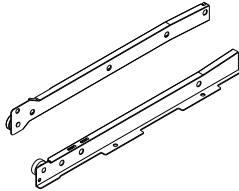
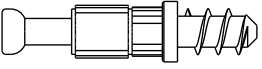
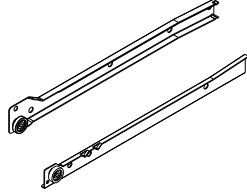

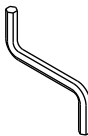

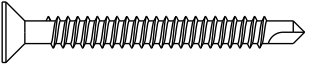
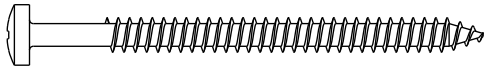
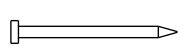
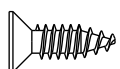
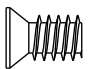


# ASSEMBLY INSTRUCTIONS

## MOD 1 DRAWER NIGHTSTAND



A	 Ø7x50mm	08	L		01
B	 Ø6x40mm	08	M	 27x23mm	04
C	 Ø4x30mm	09	N	 330mm	01
D	 Ø5x12mm	12	O	 330mm	01
E	 Ø15x11mm	12	P		01
F	 Ø8x30mm	20			
G	 Ø4x40mm	06			
H	 Ø4,5x60mm	10			
I	 Ø10x10mm	12			
J	 Ø3,5x14mm	04			
K	 Ø6x10mm	04			

### REPLACEMENT PARTS

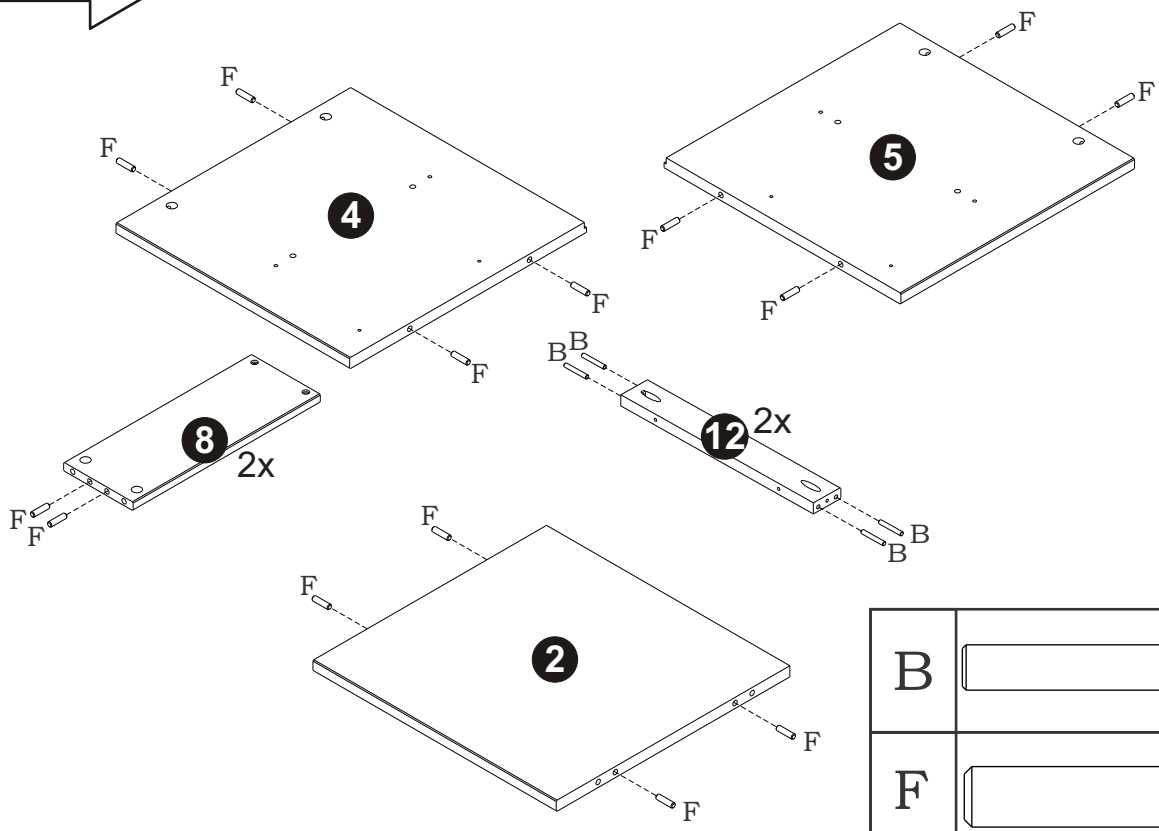
Please do not contact the company purchased from as we can help you faster.  
Order replacement parts and hardware at "[www.boltonfurniture.com](http://www.boltonfurniture.com)".

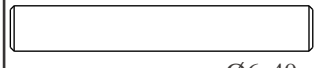
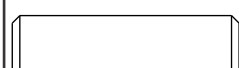
### Tools Required



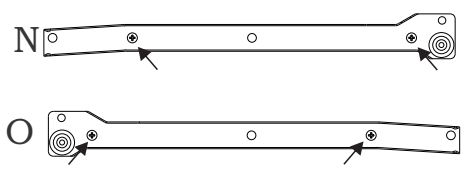
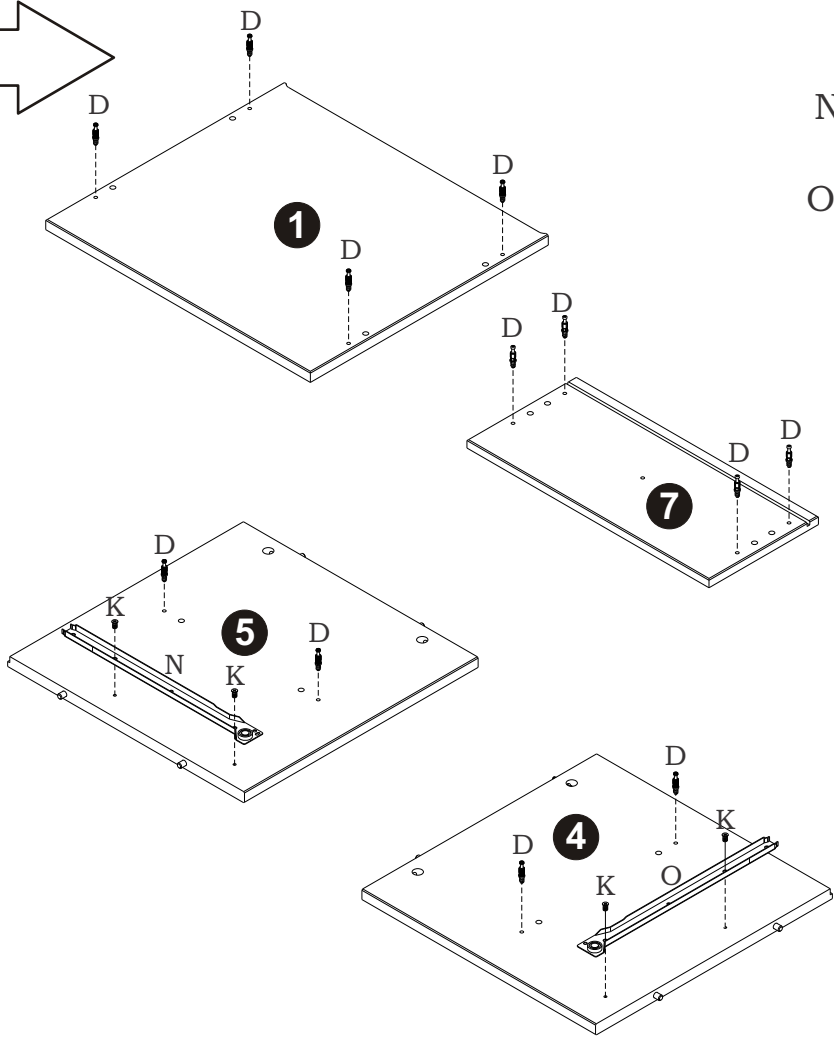
Hammer  
\* These tools are not supplied by the manufacturer

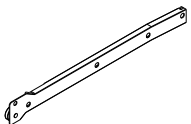
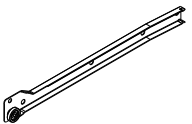
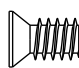
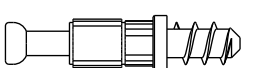
01



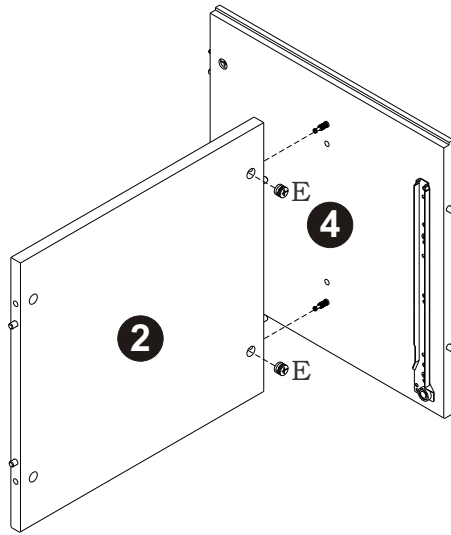
B	 Ø6x40mm	08
F	 Ø8x30mm	16


02



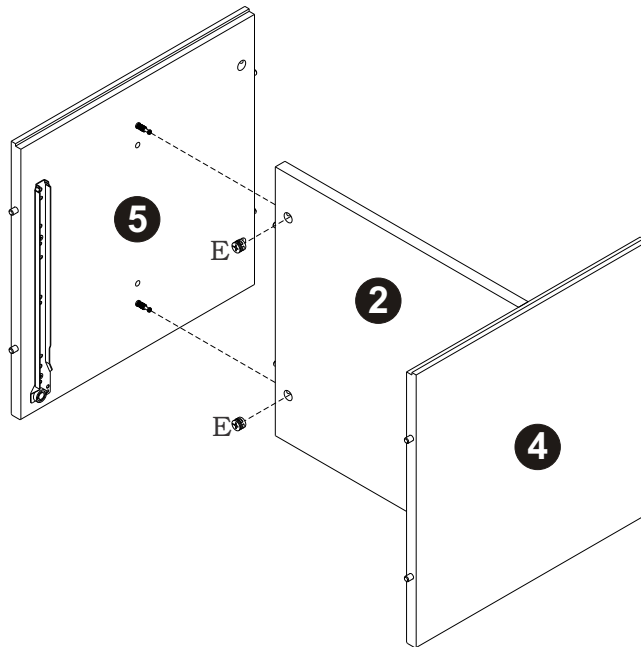
N	 330mm	01
O	 330mm	01
K	 Ø6x10mm	04
D	 Ø5x12mm	12


03



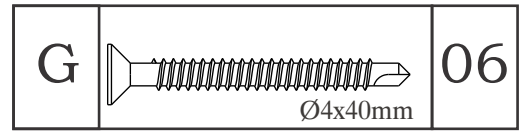
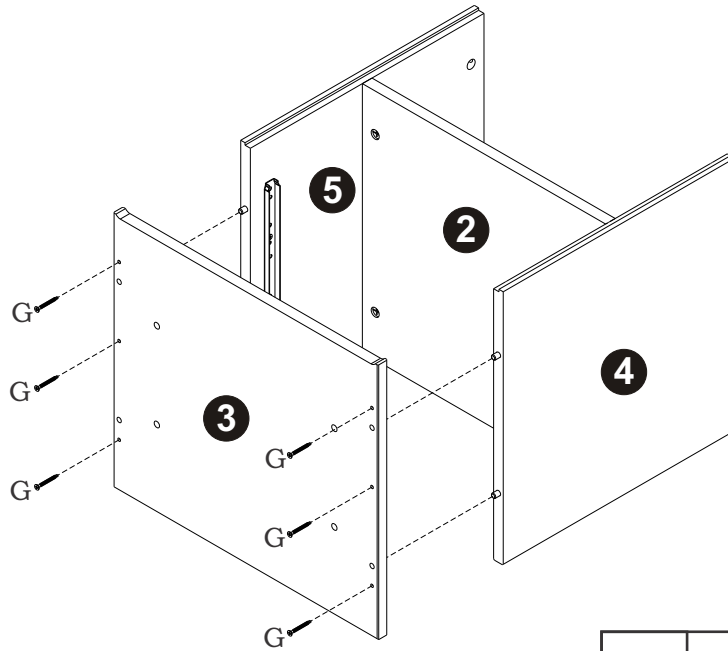
E		02
$\text{\O}15 \times 11 \text{mm}$		

04

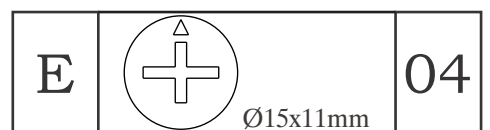
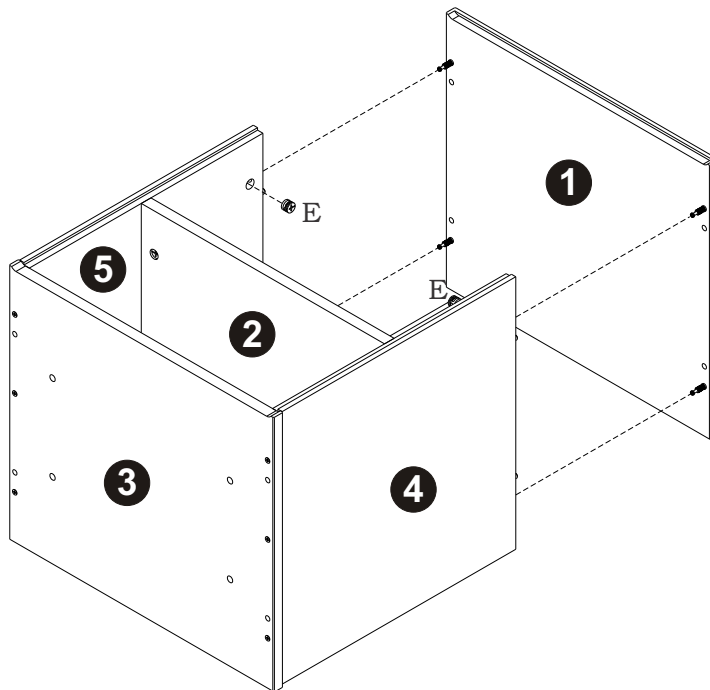


E		02
$\text{\O}15 \times 11 \text{mm}$		

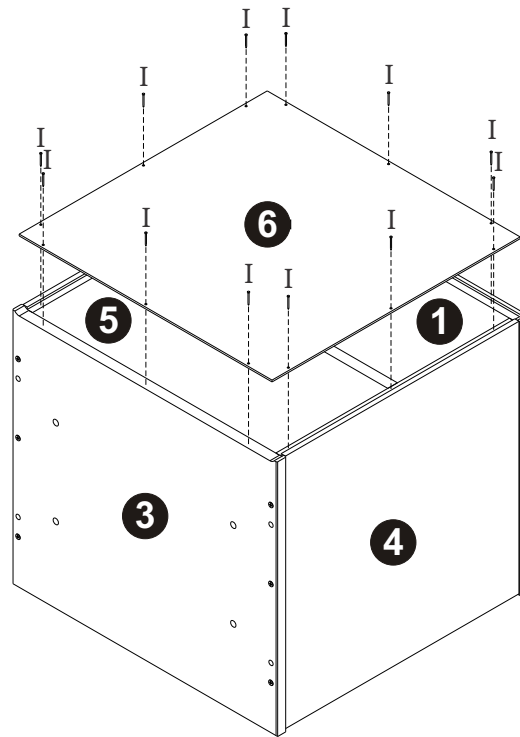
05

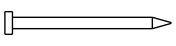


06

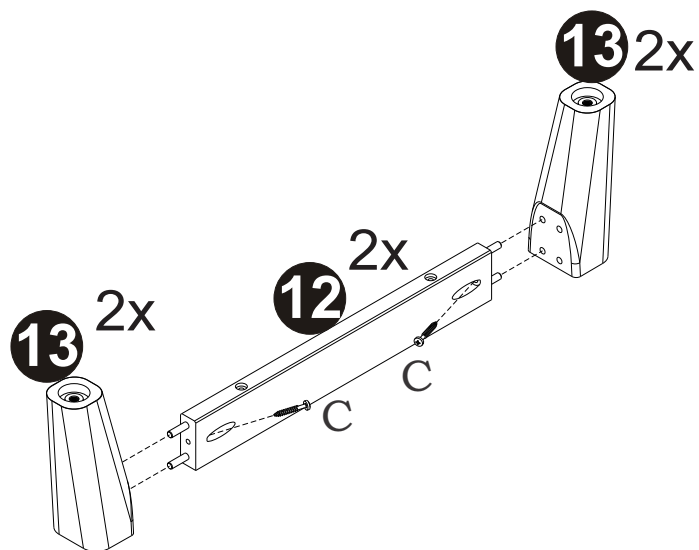


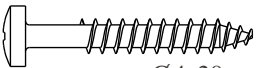
07



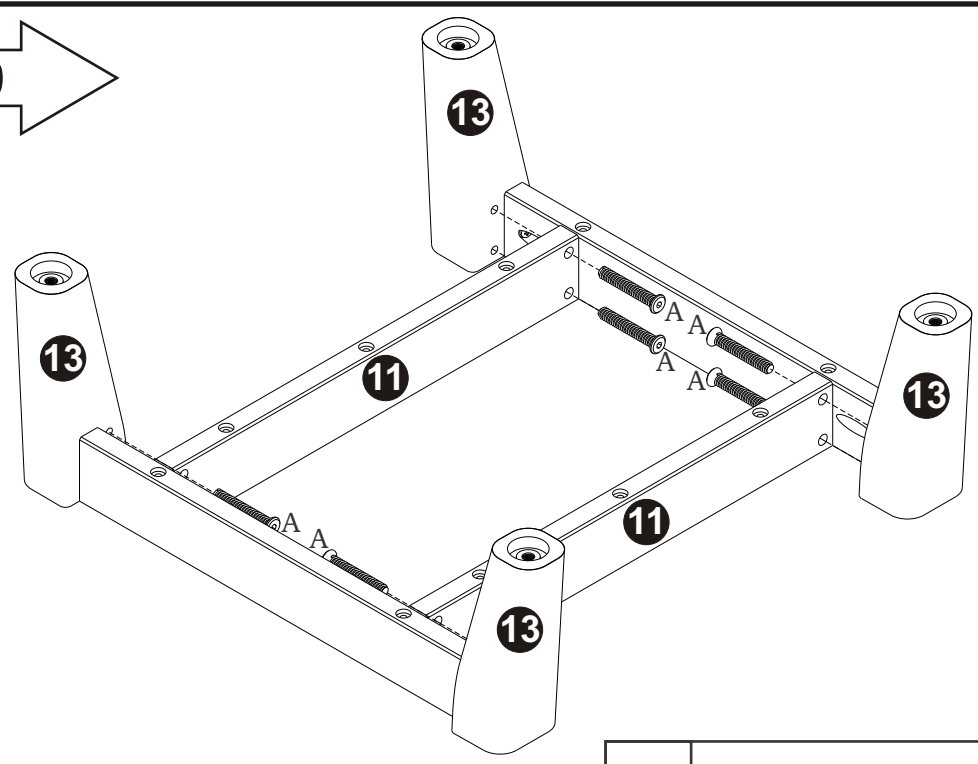
I	 Ø10x10mm	12
---	---	----

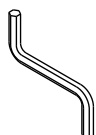
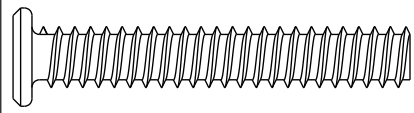
08



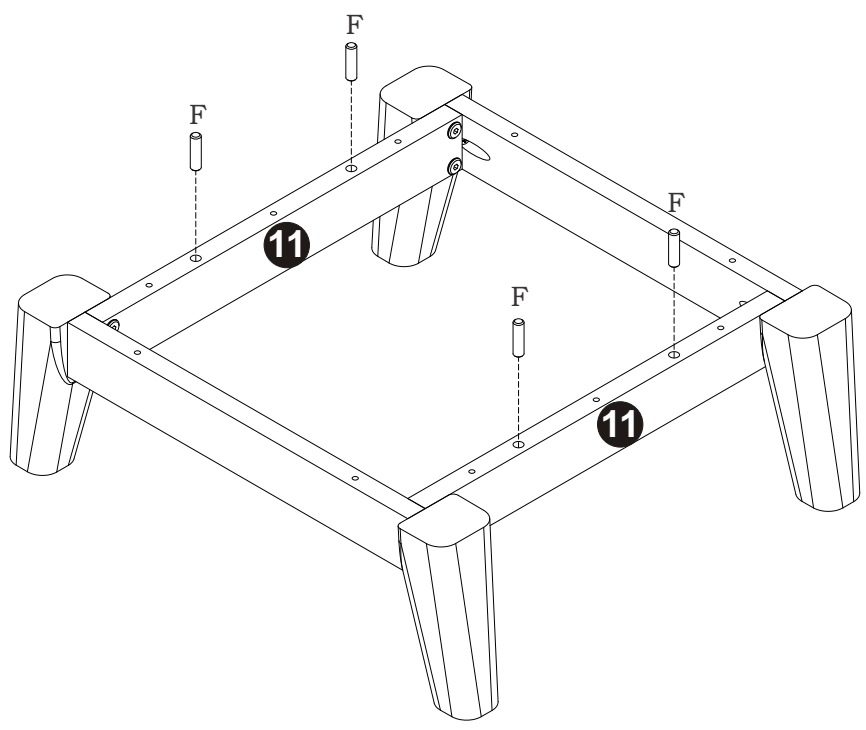
C	 Ø4x30mm	04
---	--	----

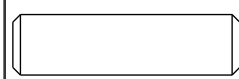
09



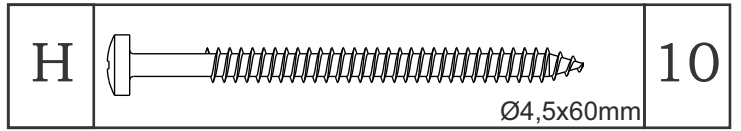
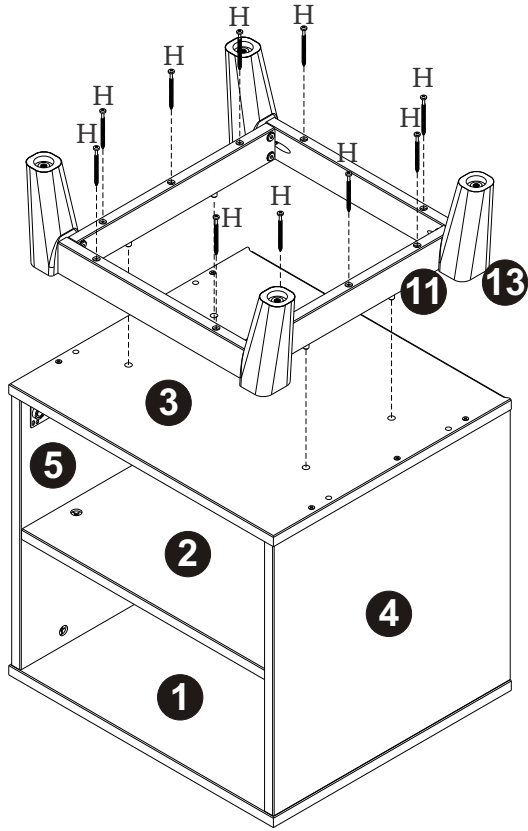
P		01
A	 Ø7x50mm	08

10

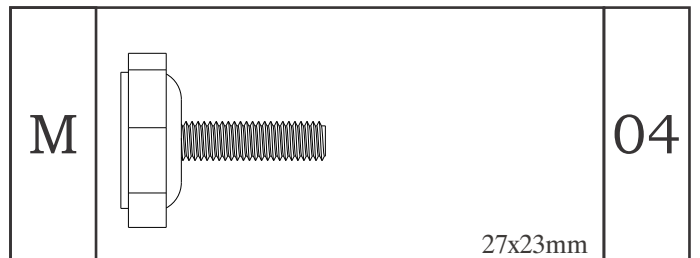
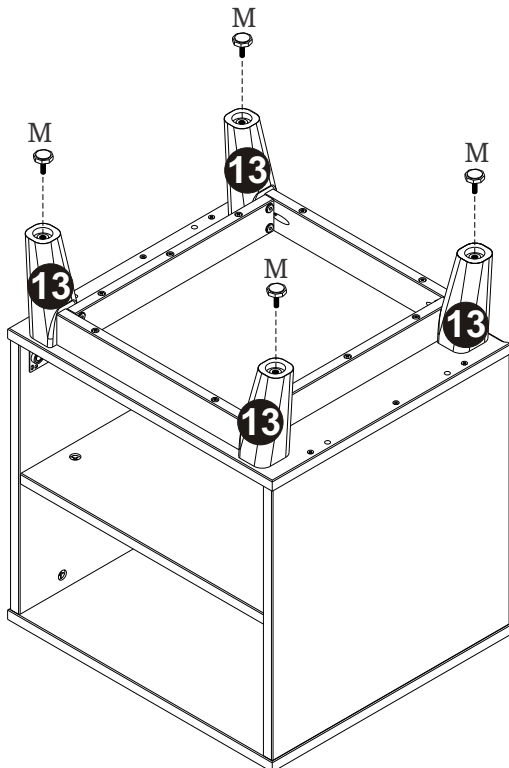


F	 Ø8x30mm	04
---	---	----

11

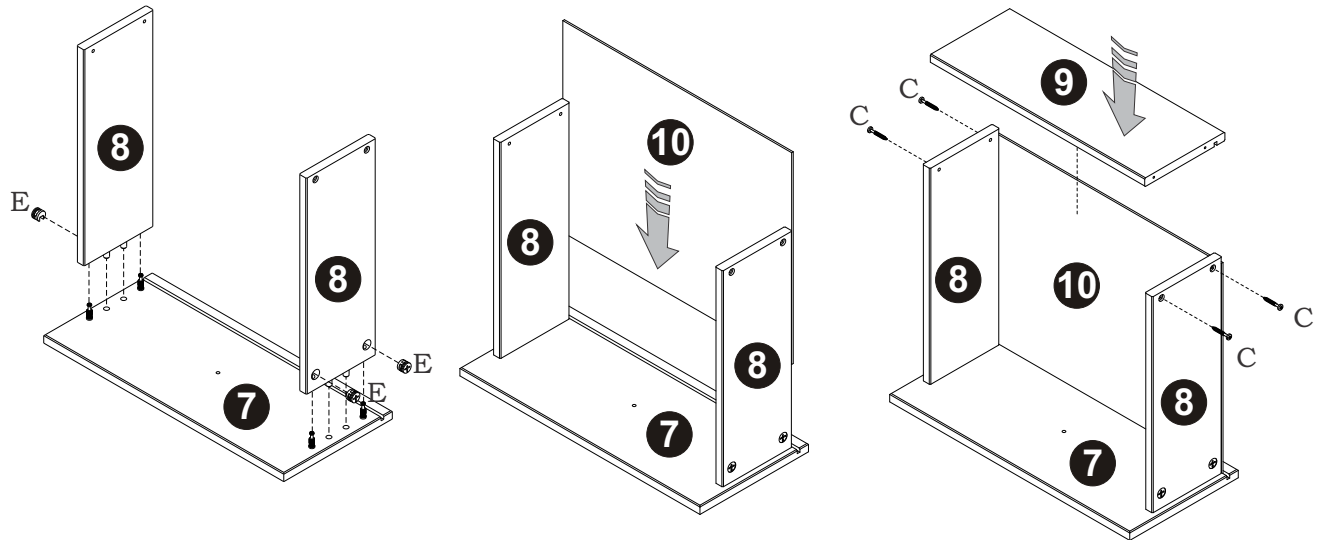




12



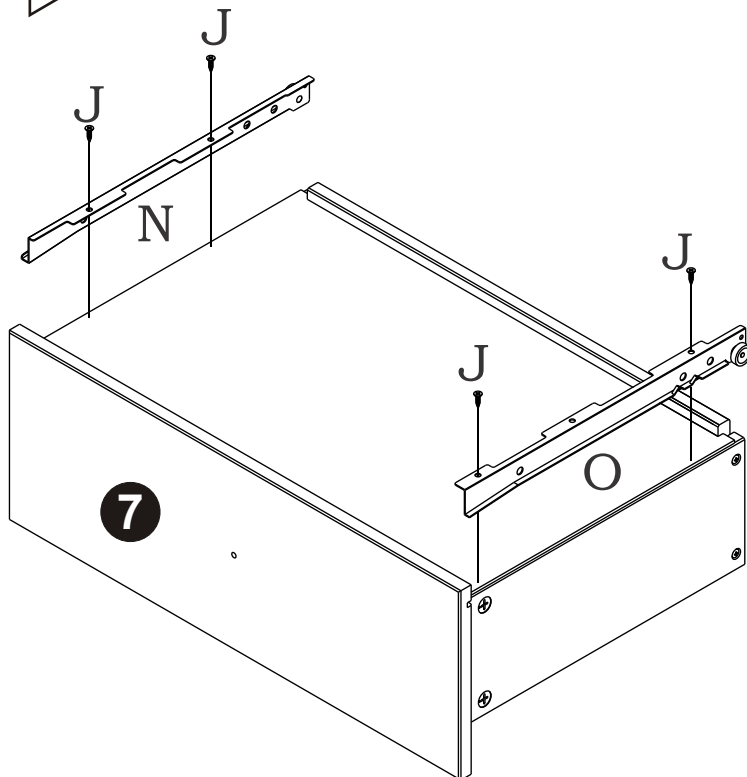


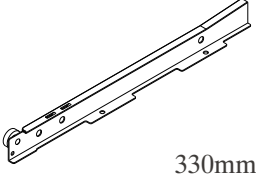
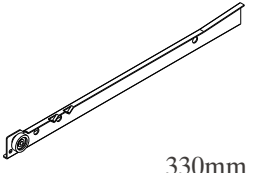
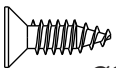
13



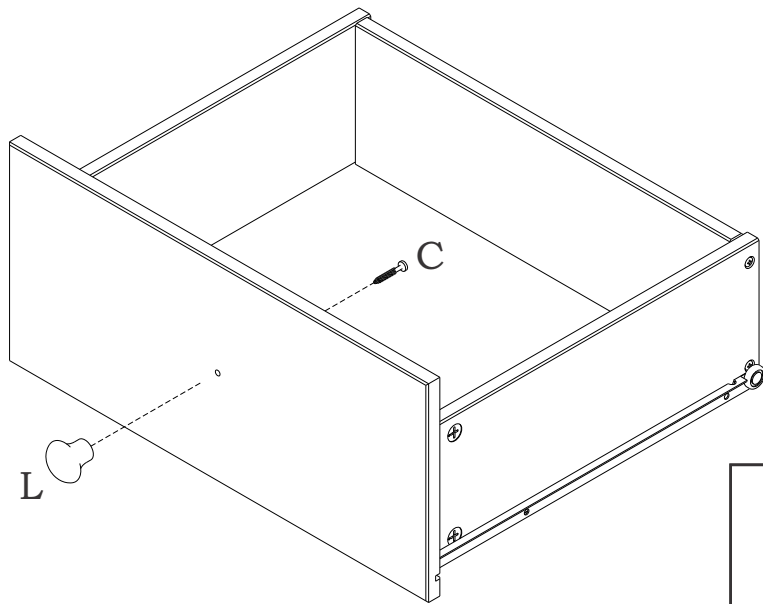
C	 Ø4x30mm	04
E	 Ø15x11mm	04

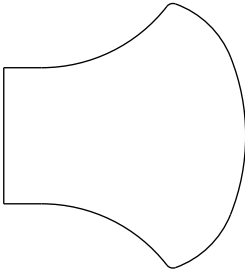
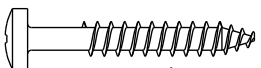
14



N	 330mm	01
O	 330mm	01
J	 Ø3,5x14mm	04

15



L		01
C	 Ø4x30mm	01

16

