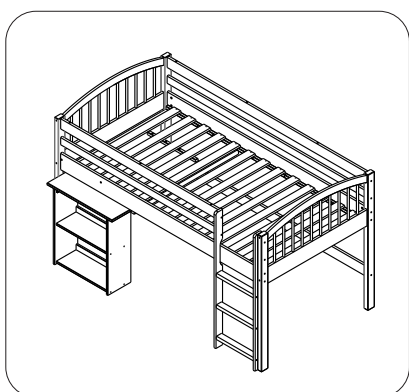
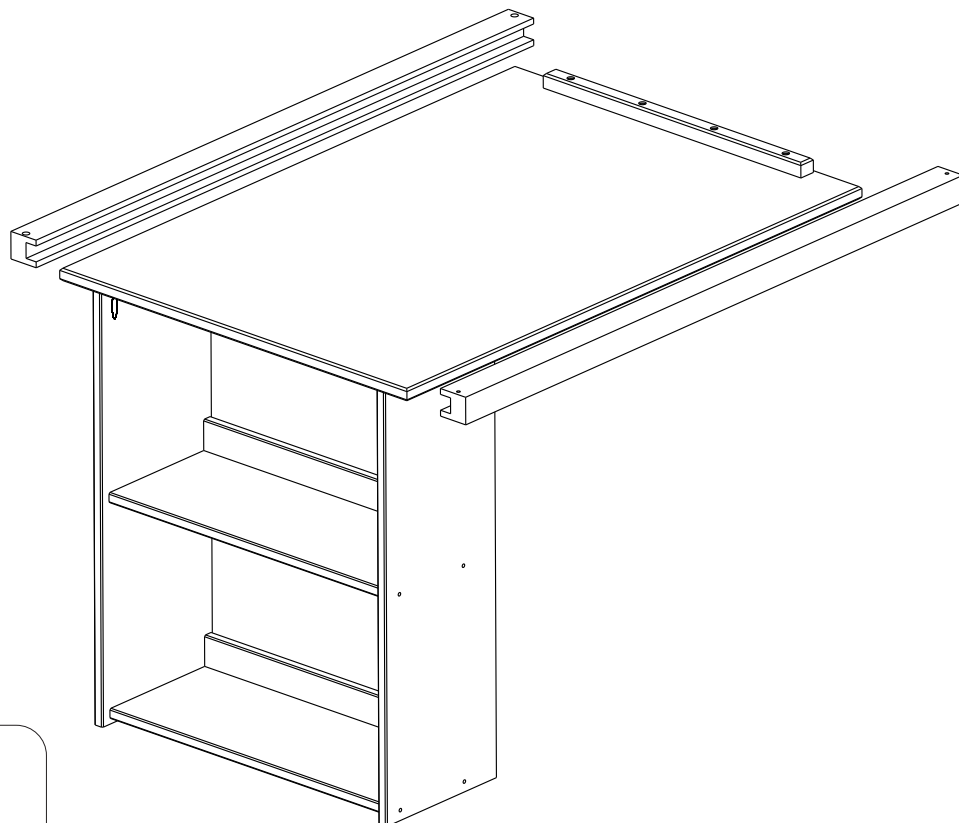


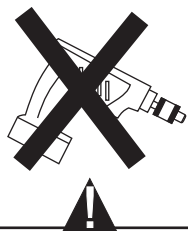
ASSEMBLY INSTRUCTIONS

ADDISON JR LOFT DESK

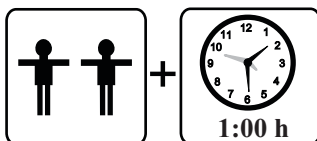


REPLACEMENT PARTS

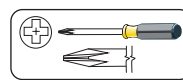
Please do not contact the company purchased from as we can help you faster.
Order replacement parts and hardware at "alaterrefurniture.com"



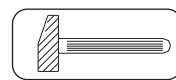
* Use of power tool to assemble this product will invalidate any claim and damage this product making it unsafe !!!
* Please assemble on a clean soft surface to avoid damage.



Tools Required

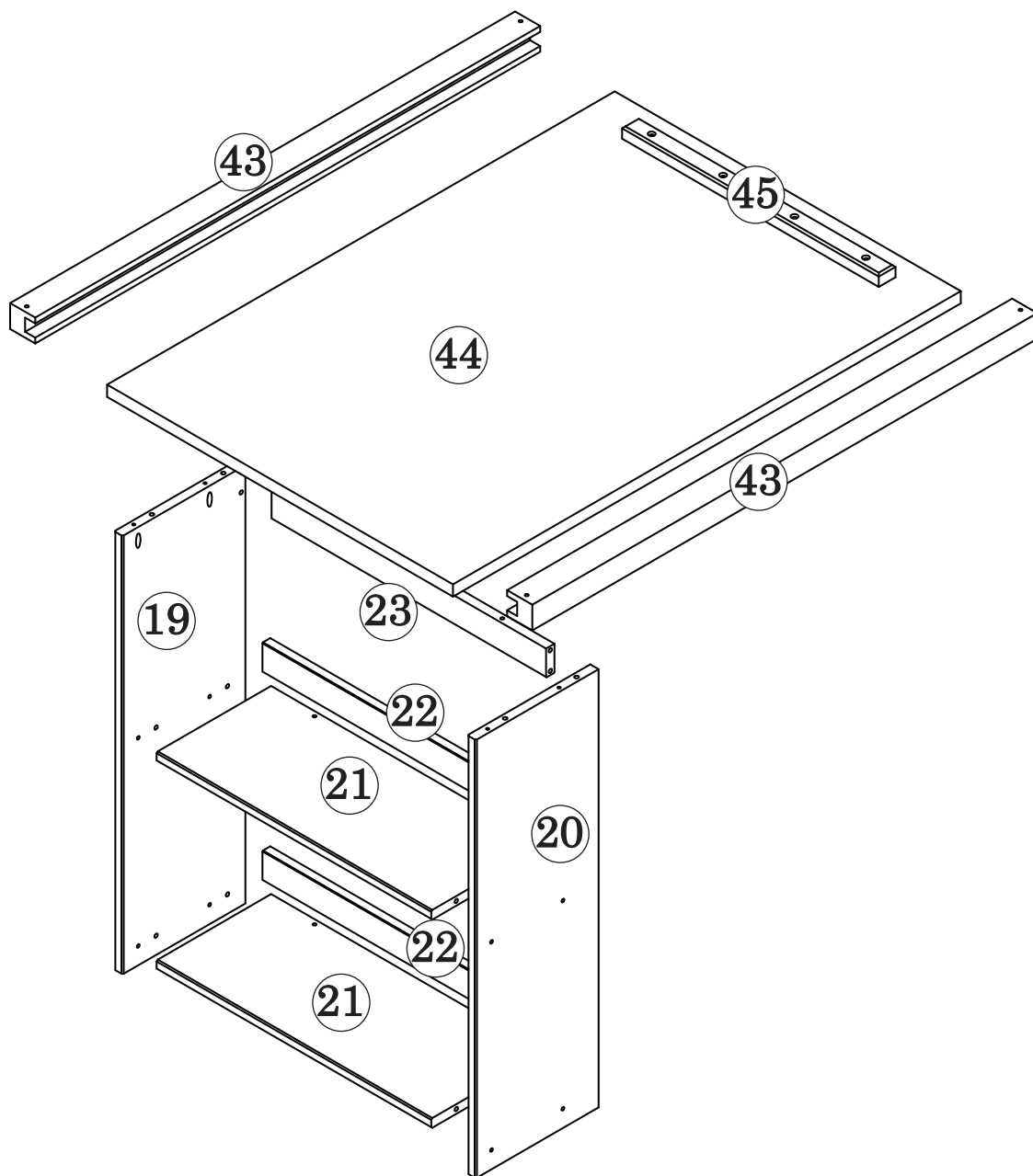


(Not included)





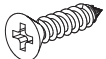
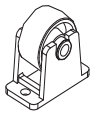



(Not included)

Part List - Addison Jr Loft Desk



Identifying the Hardware-Identify the hardware using the illustrations below.

<p>J  16 8X30</p>	<p>K  12 4,0 x 35</p>	<p>F  06 4,0 x 50</p>
<p>L  04 4,0 x 30</p>	<p>N  04 3,5 x 16</p>	<p>M  02 RD 30</p>
<p>O  04 4,0 x 30</p>		

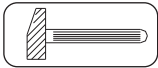
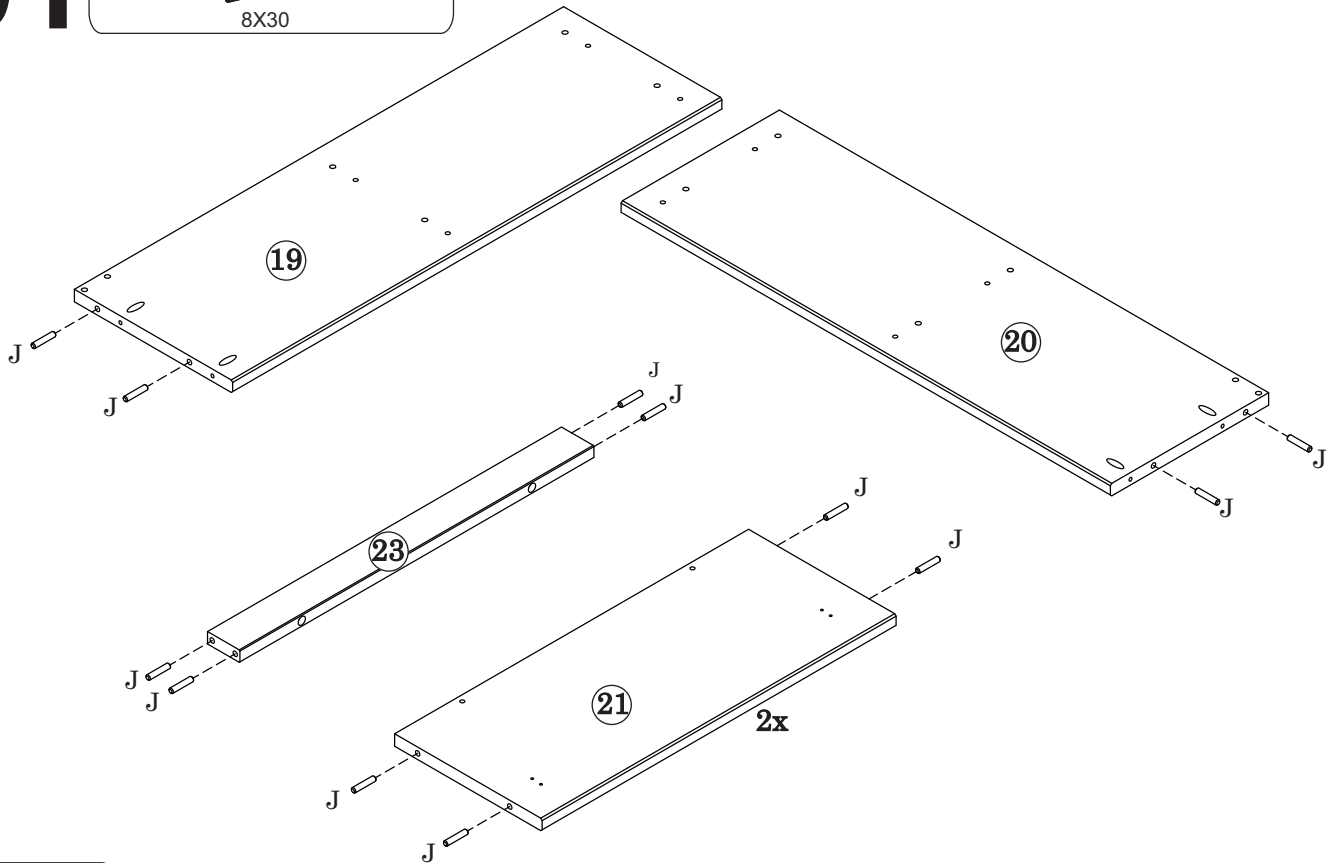
01

J



8X30

16



(Not included)

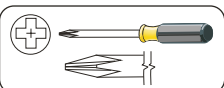
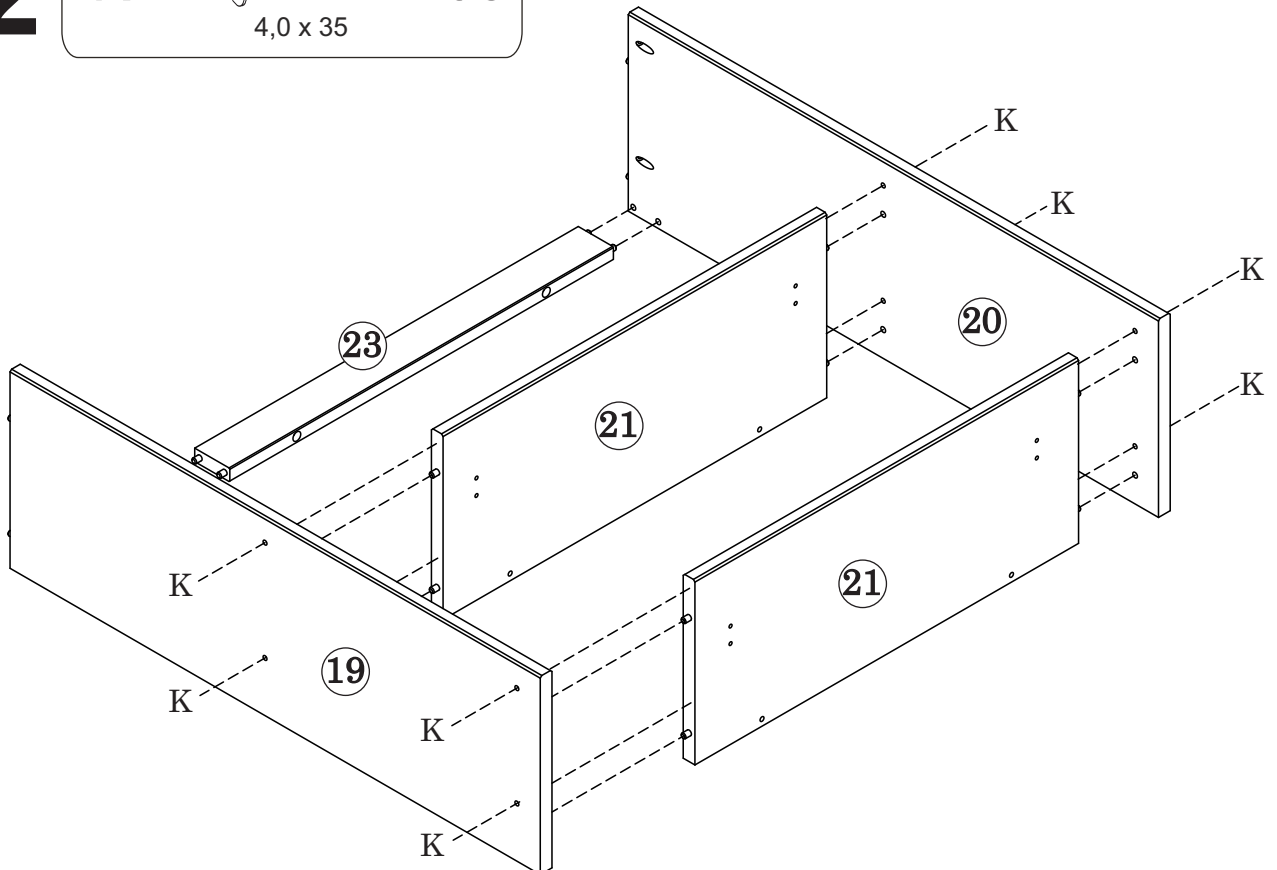
02

K



4,0 x 35

08



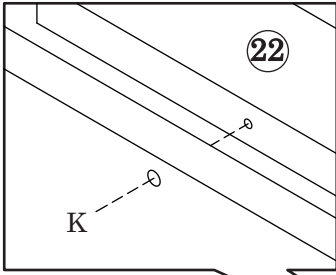
03

K



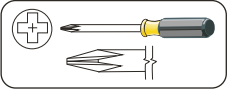
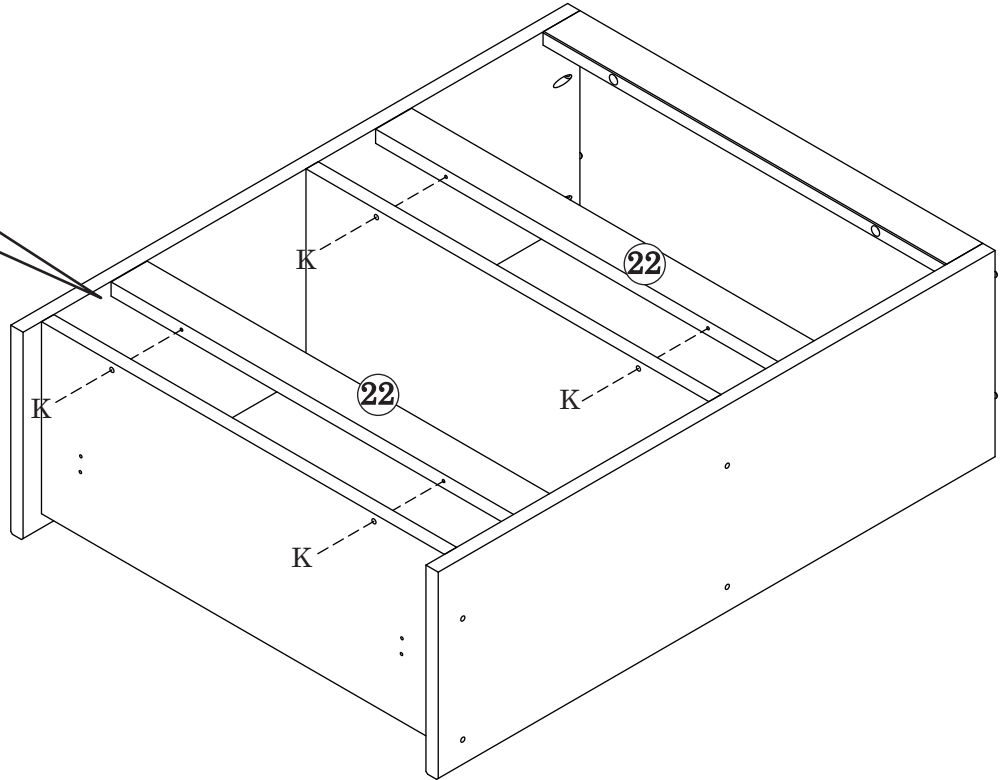
4,0 x 35

04



22

K



04

F



4,0 x 50

02

L



4,0 x 30

04

N



3,5 x 16

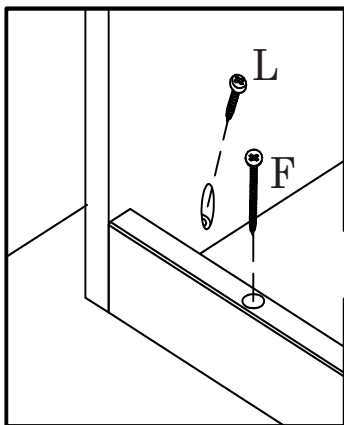
04

M



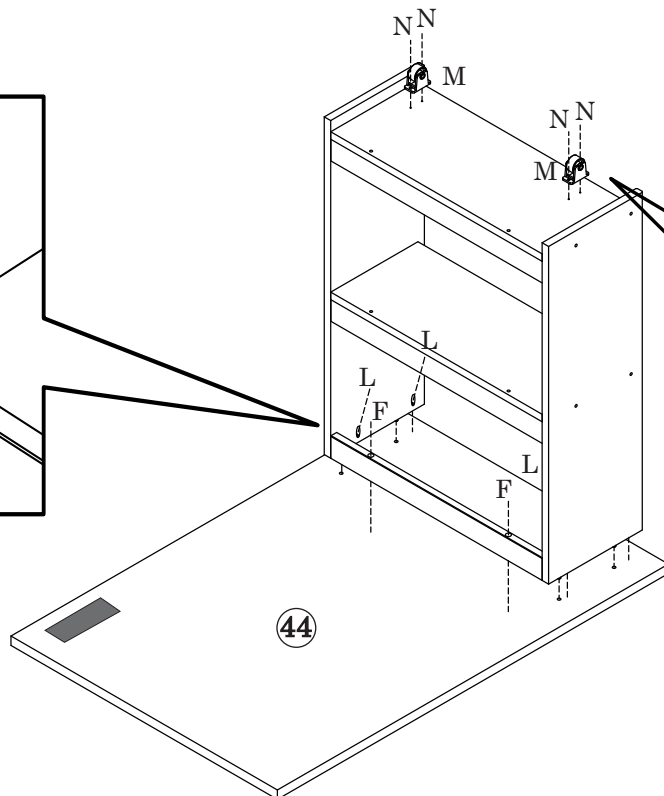
RD 30

02

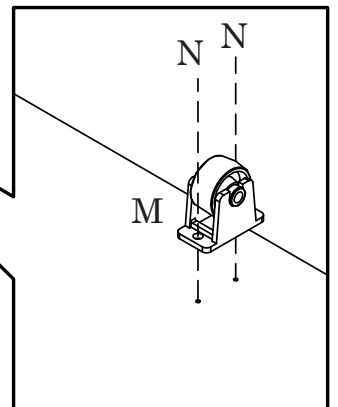


L

F



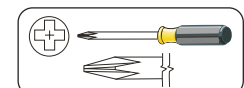
44



N

N

M

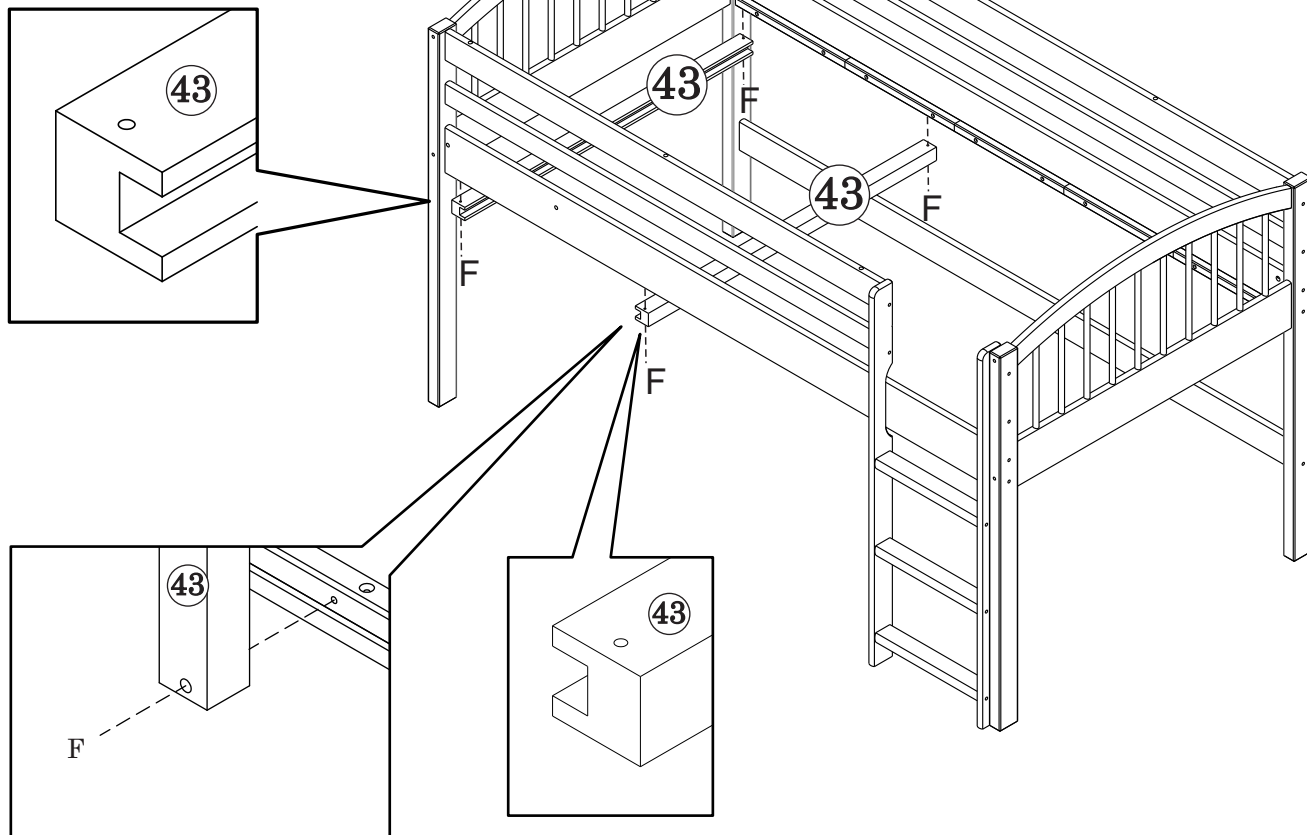
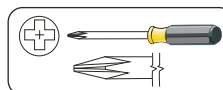


05

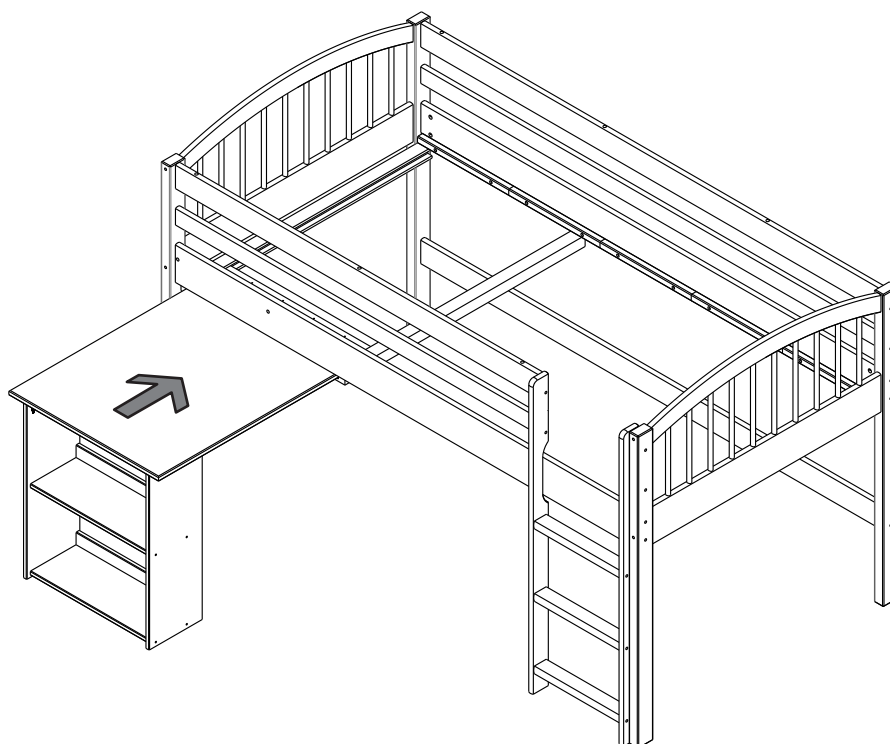
F



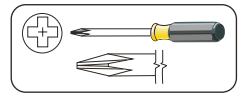
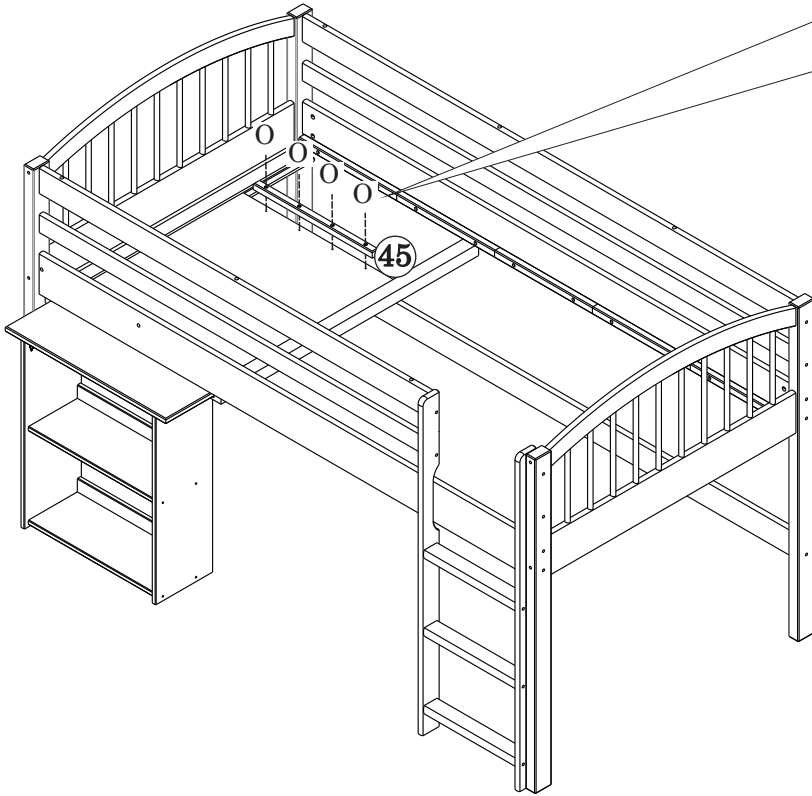
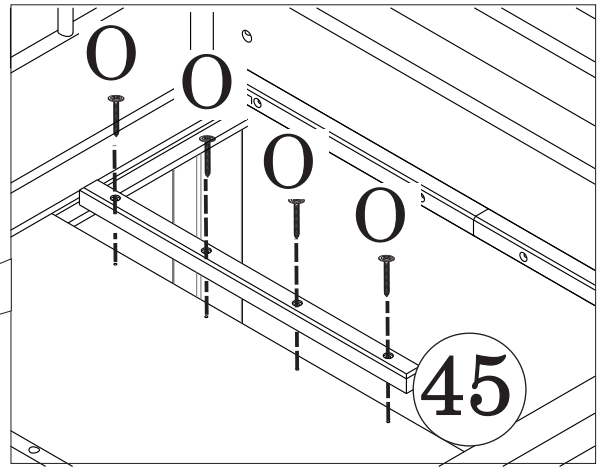
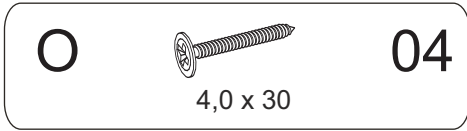
04



06



07



08

