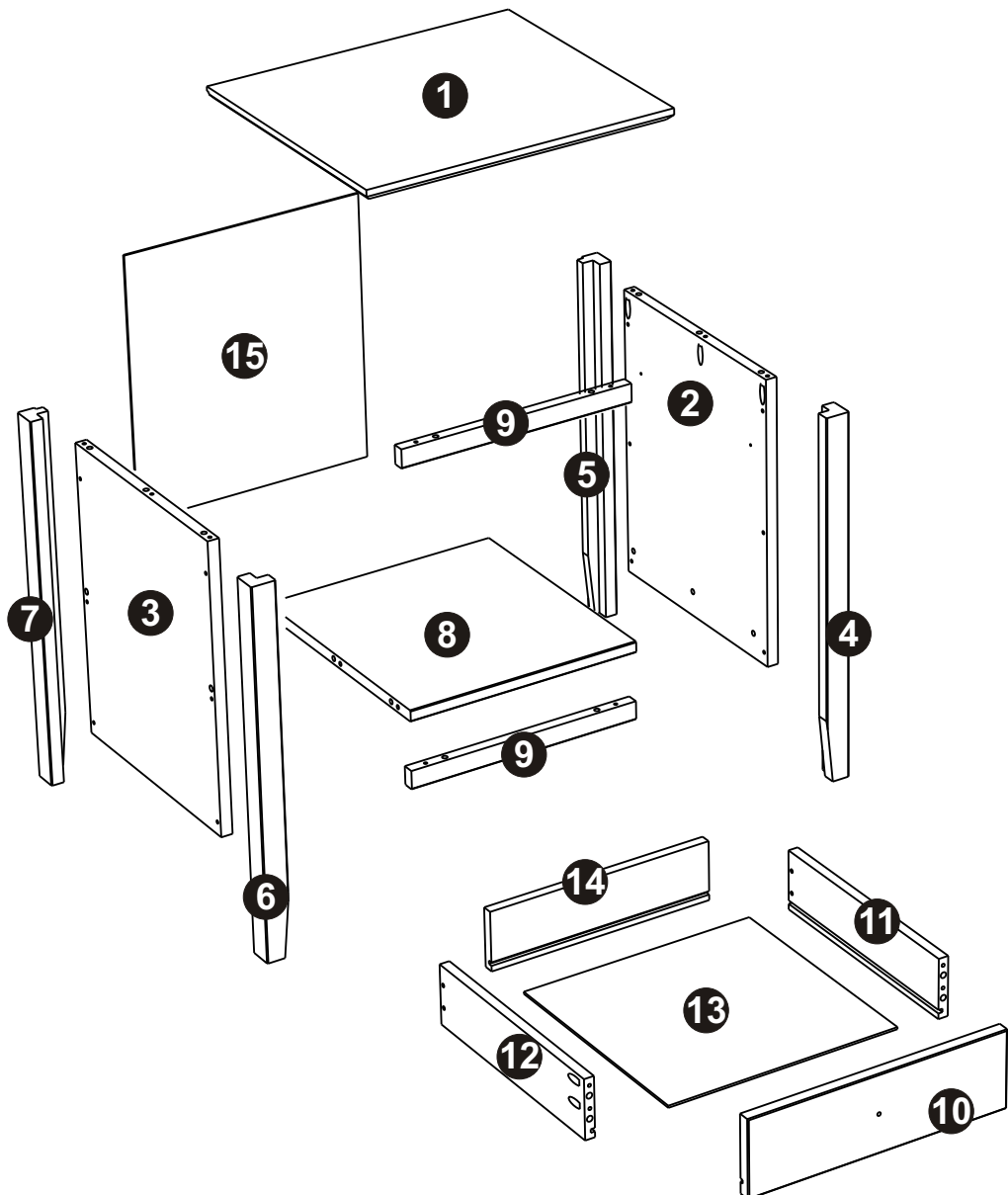
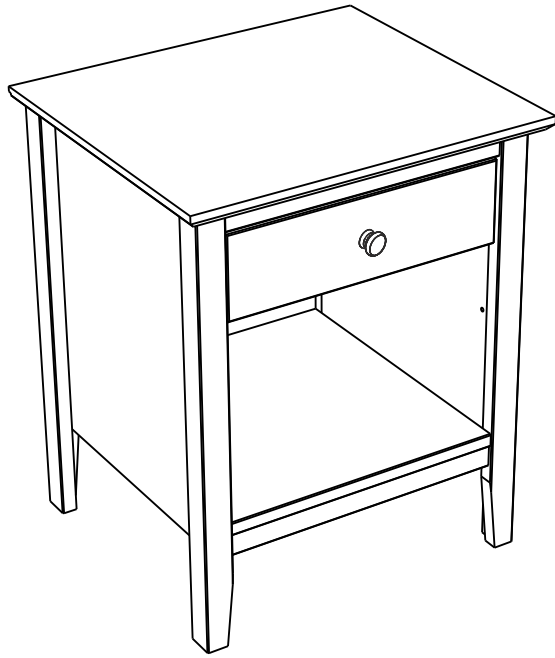
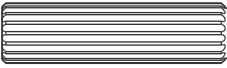
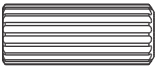

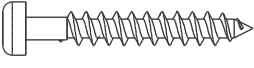
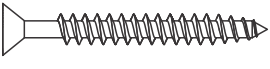


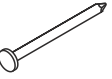
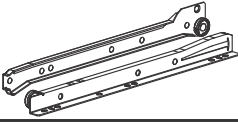
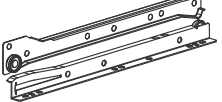
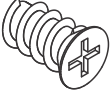


ASSEMBLY INSTRUCTIONS NIGHT STAND



A	 Ø8x30mm	20
B	 Ø8x20mm	04
C	 Ø4x35mm	01
D	 Ø4x30mm	24
E	 Ø4,0x30mm	12
F	 Ø4x16mm	04
G		01
H	 Ø1 x 19mm	14
I	 330mm	01
J	 330mm	01
K	 Ø6x10mm	04

REPLACEMENT PARTS

Please do not contact the company purchased from as we can help you faster. Order replacement parts and hardware at "www.boltonfurniture.com".

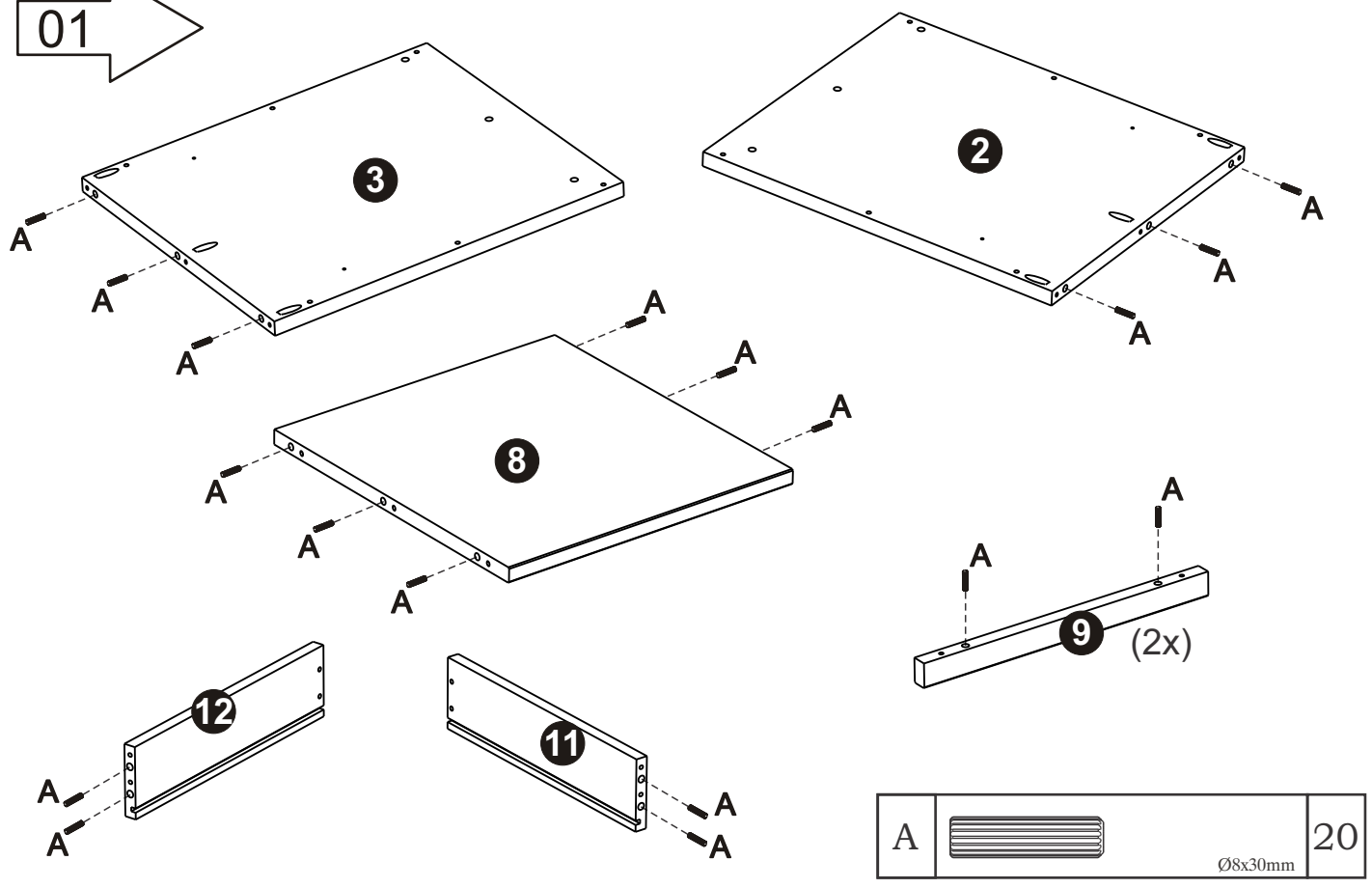
Tools Required


Phillips Tool

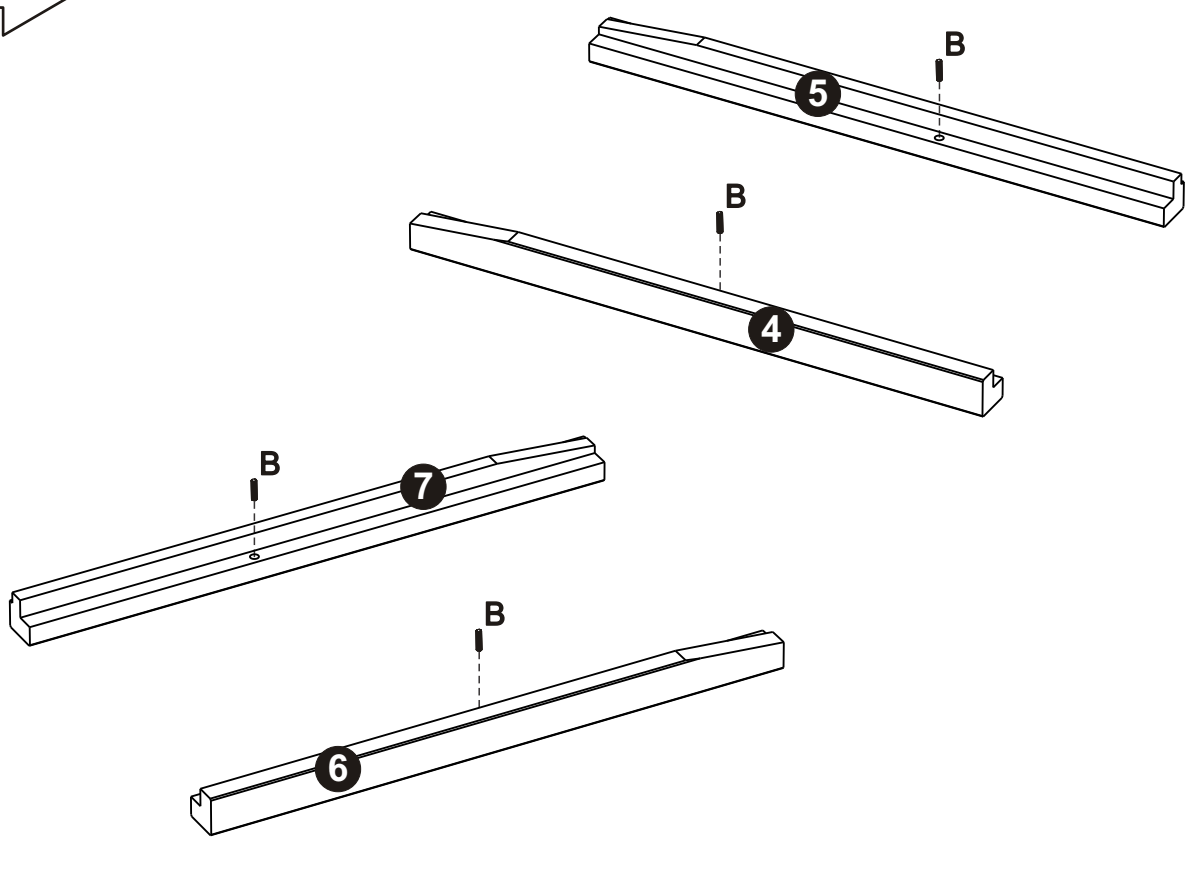


Hammer
* These tools are not supplied by the manufacturer

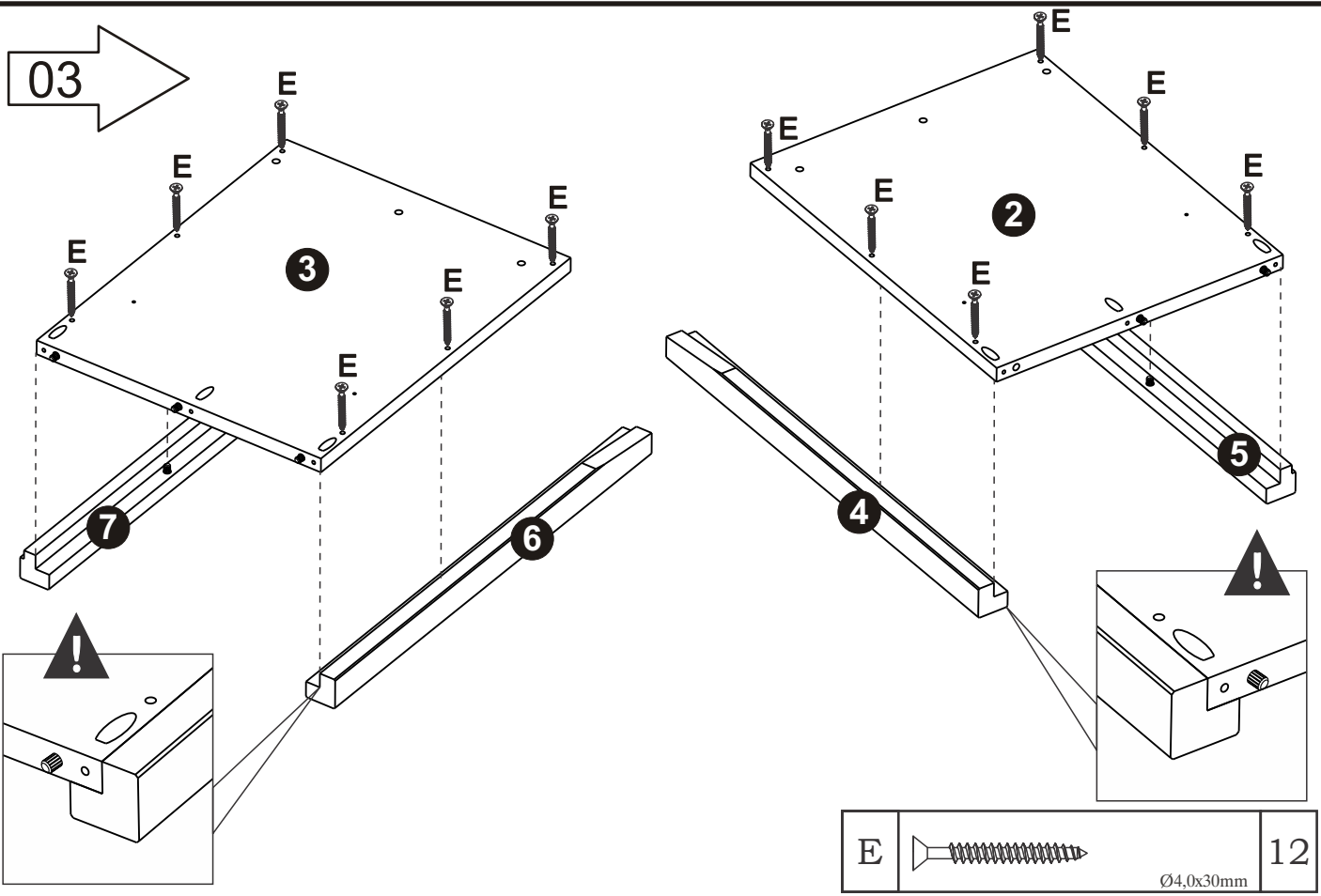
01

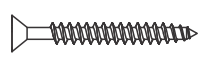


02

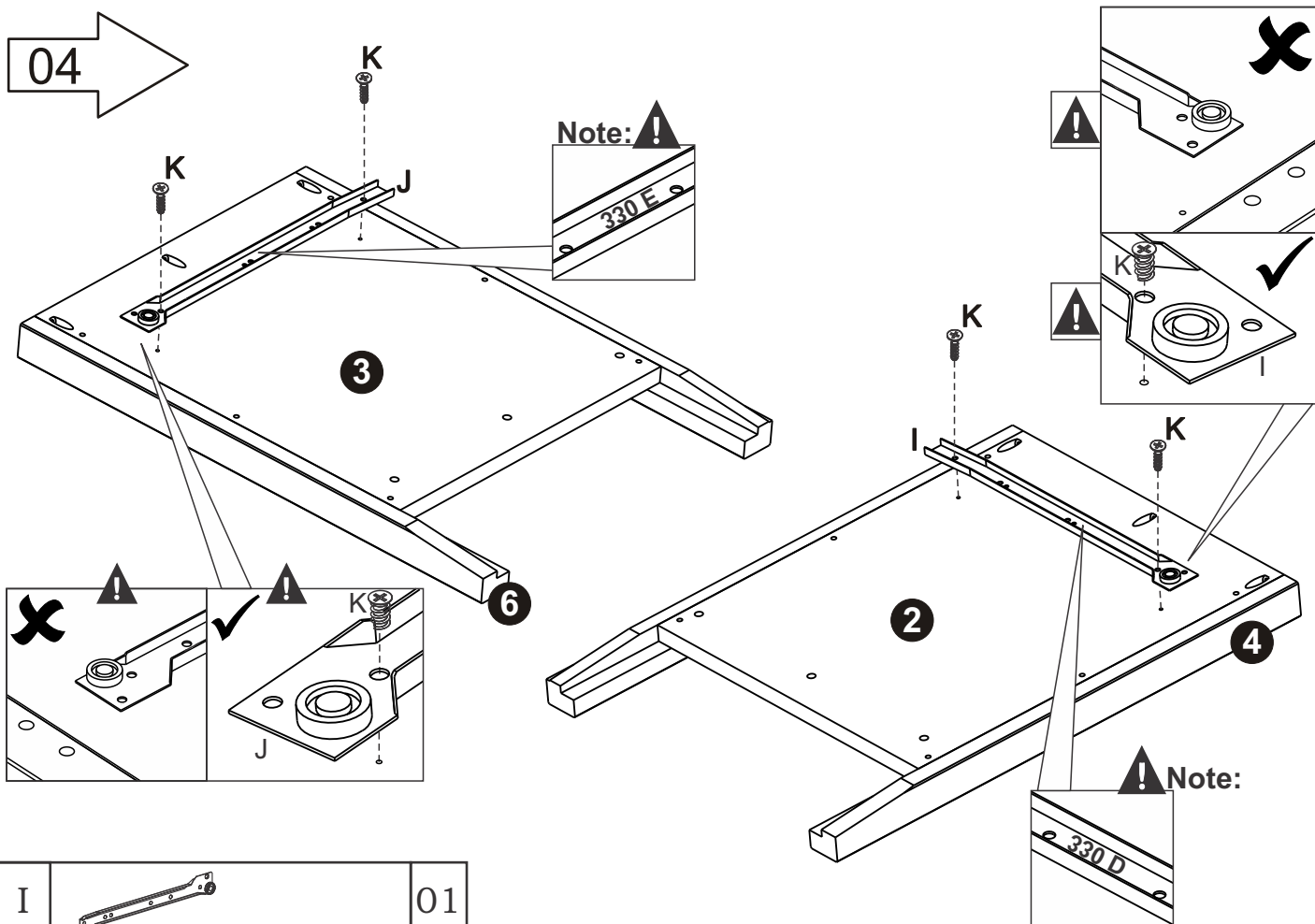


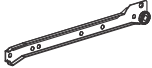
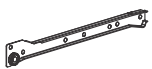
03




E		12
Ø4,0x30mm		

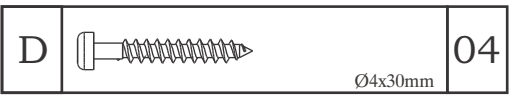
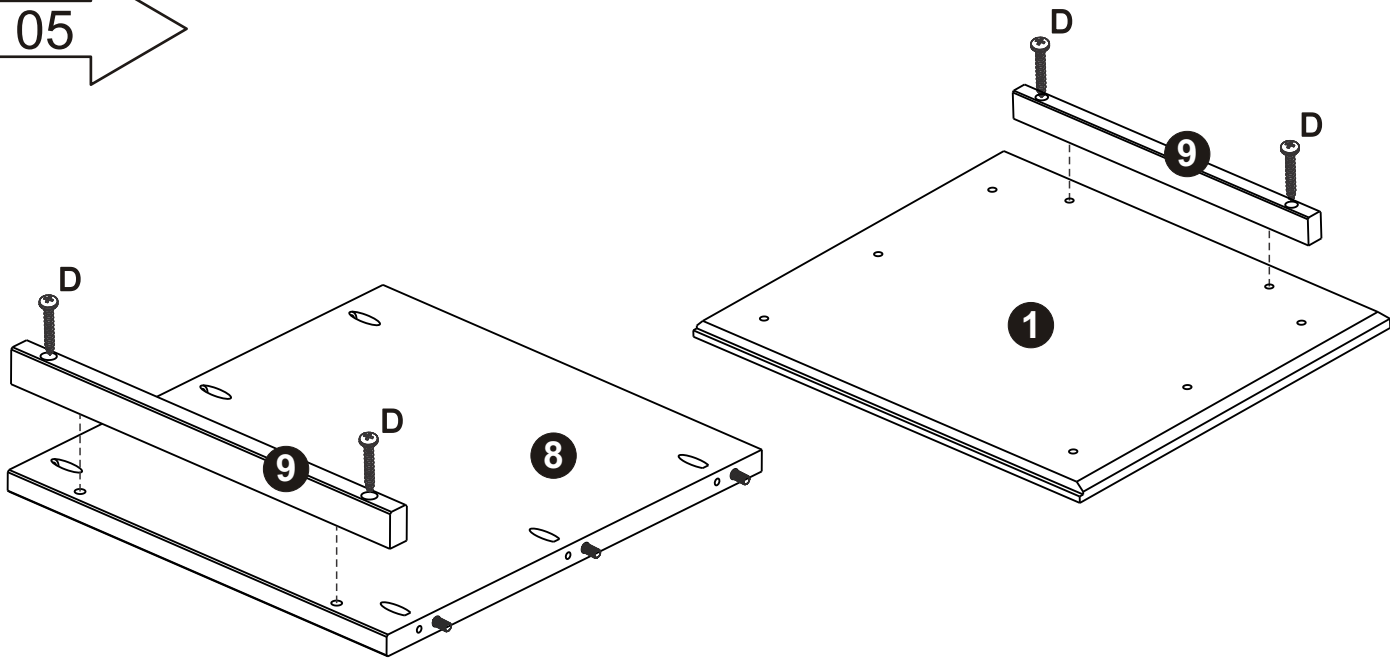
04



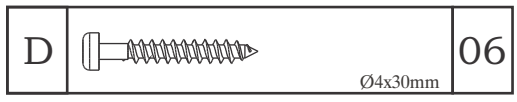
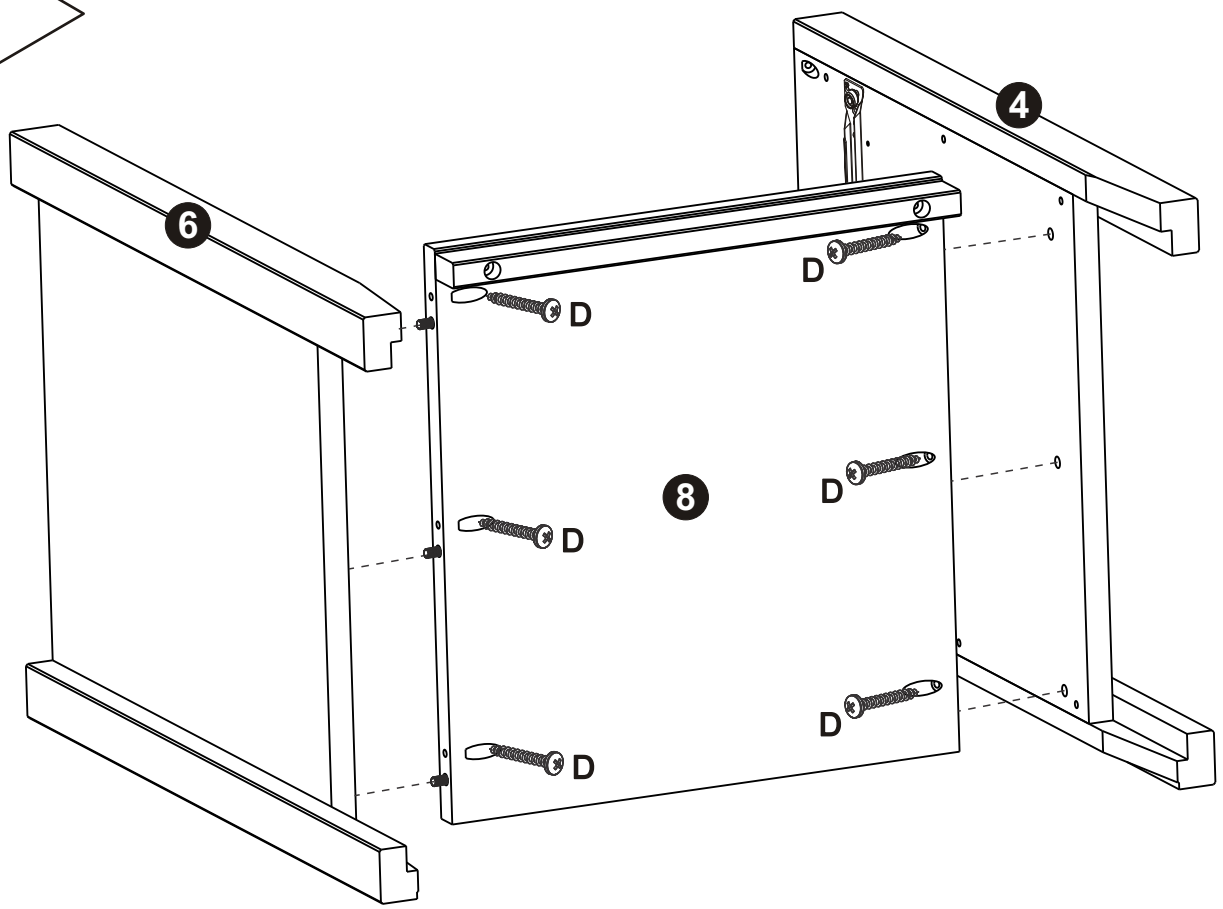
I		330mm	01
J		330mm	01

K		04
Ø6x10mm		

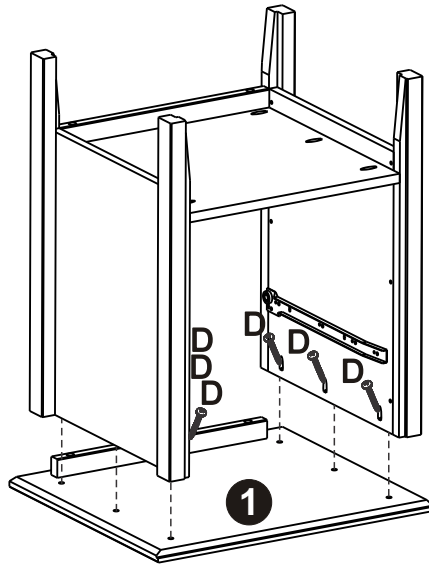
05




06

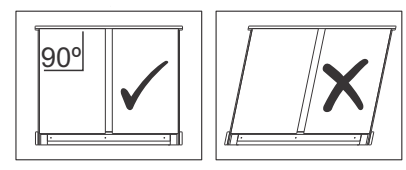
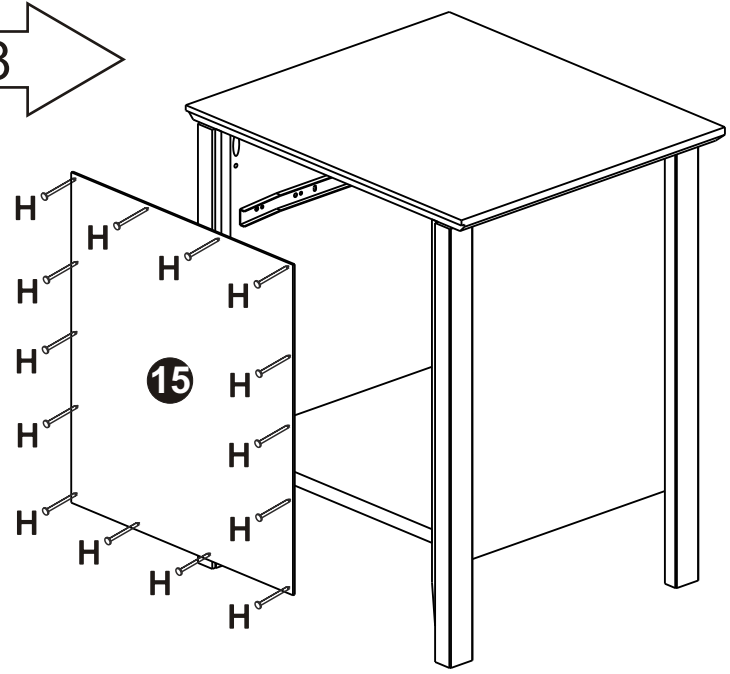


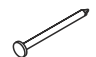
07



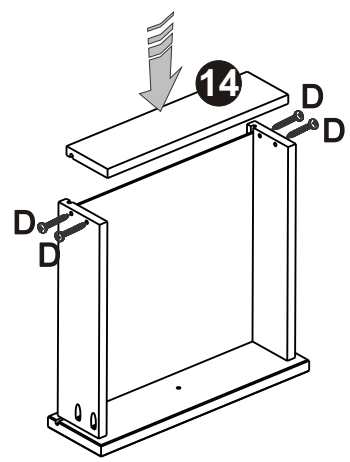
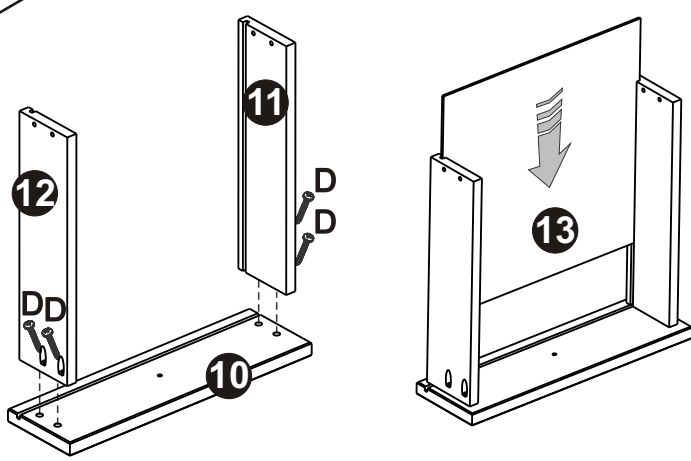
D		06
Ø4x30mm		

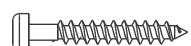
08



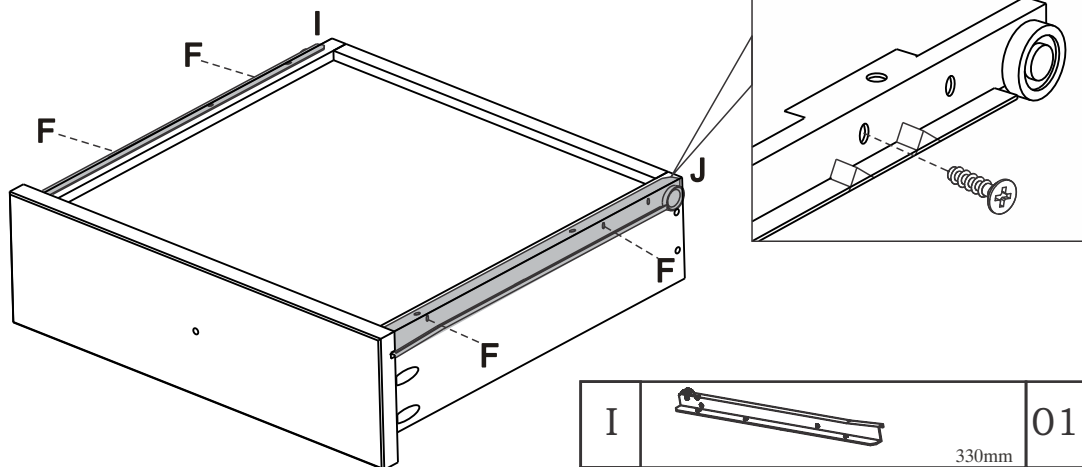
H		14
Ø1 x 19mm		

09





D		08
Ø4x30mm		

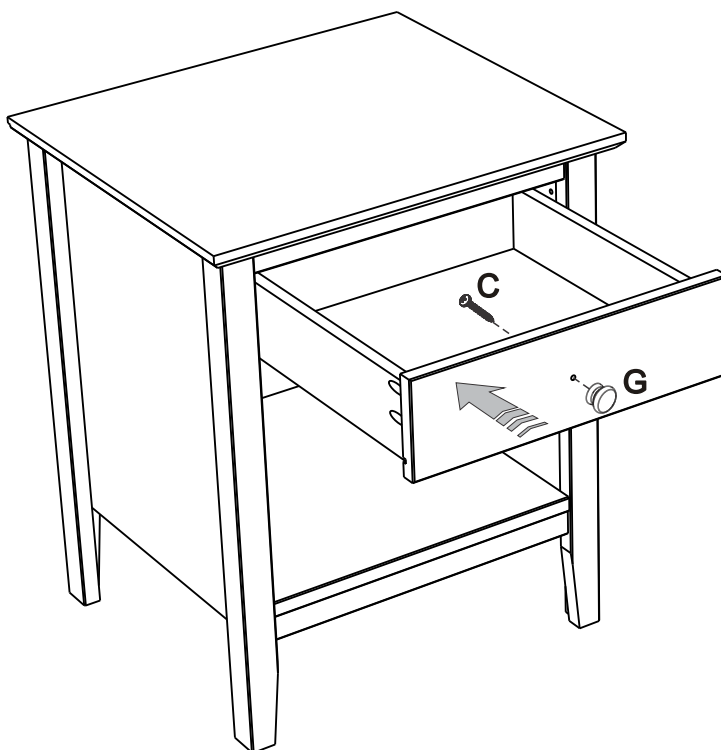
10





F		04	Ø4x16mm
---	---	----	---------

I		01	330mm
J		01	330mm

11



G		01	
C		01	Ø4x35mm