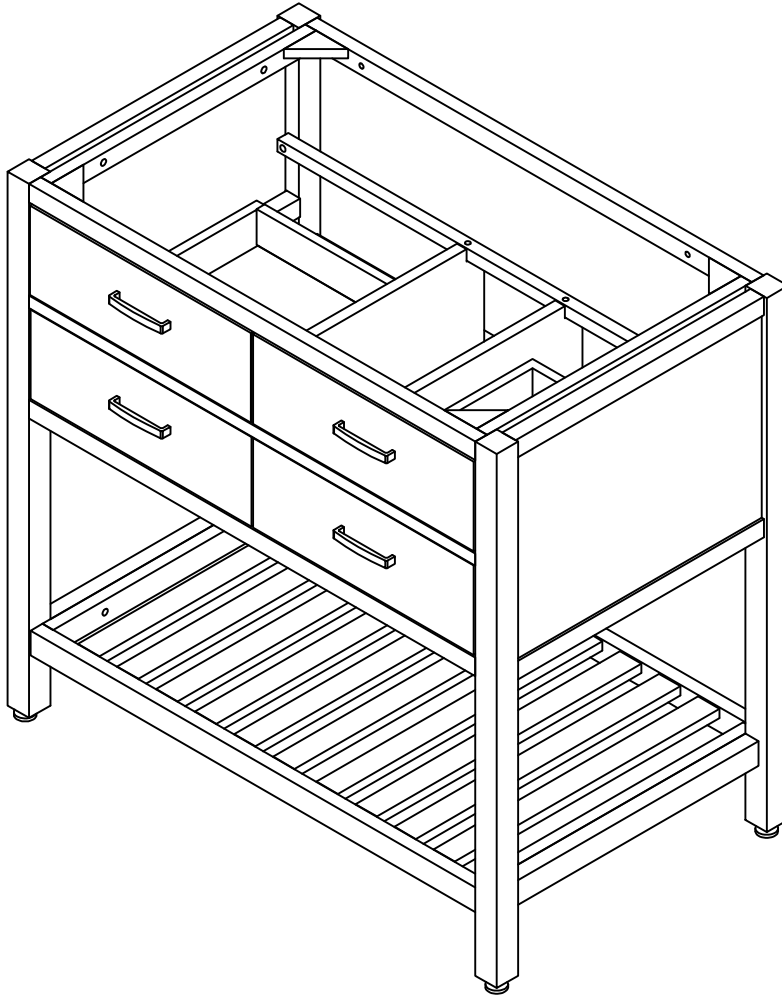


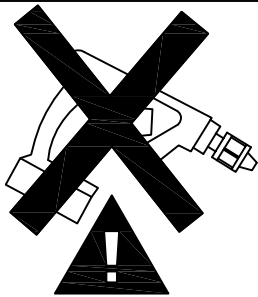
# ASSEMBLY INSTRUCTION

## 36" Vanity

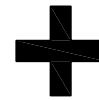
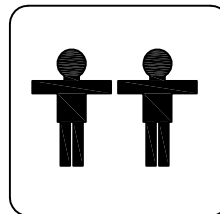


### REPLACEMENT PARTS

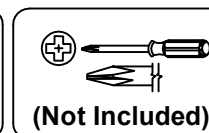
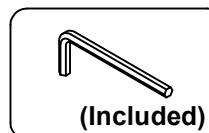
Please do not contact the company purchased from as we can help you faster.  
Order replacement parts and hardware at " [www.boltonfurniture.com](http://www.boltonfurniture.com) "



. Use of power tool to assemble this product will invalidate any claim and damage this product making it unsafe !!!  
. Please assemble on a clean soft surface to avoid damage.

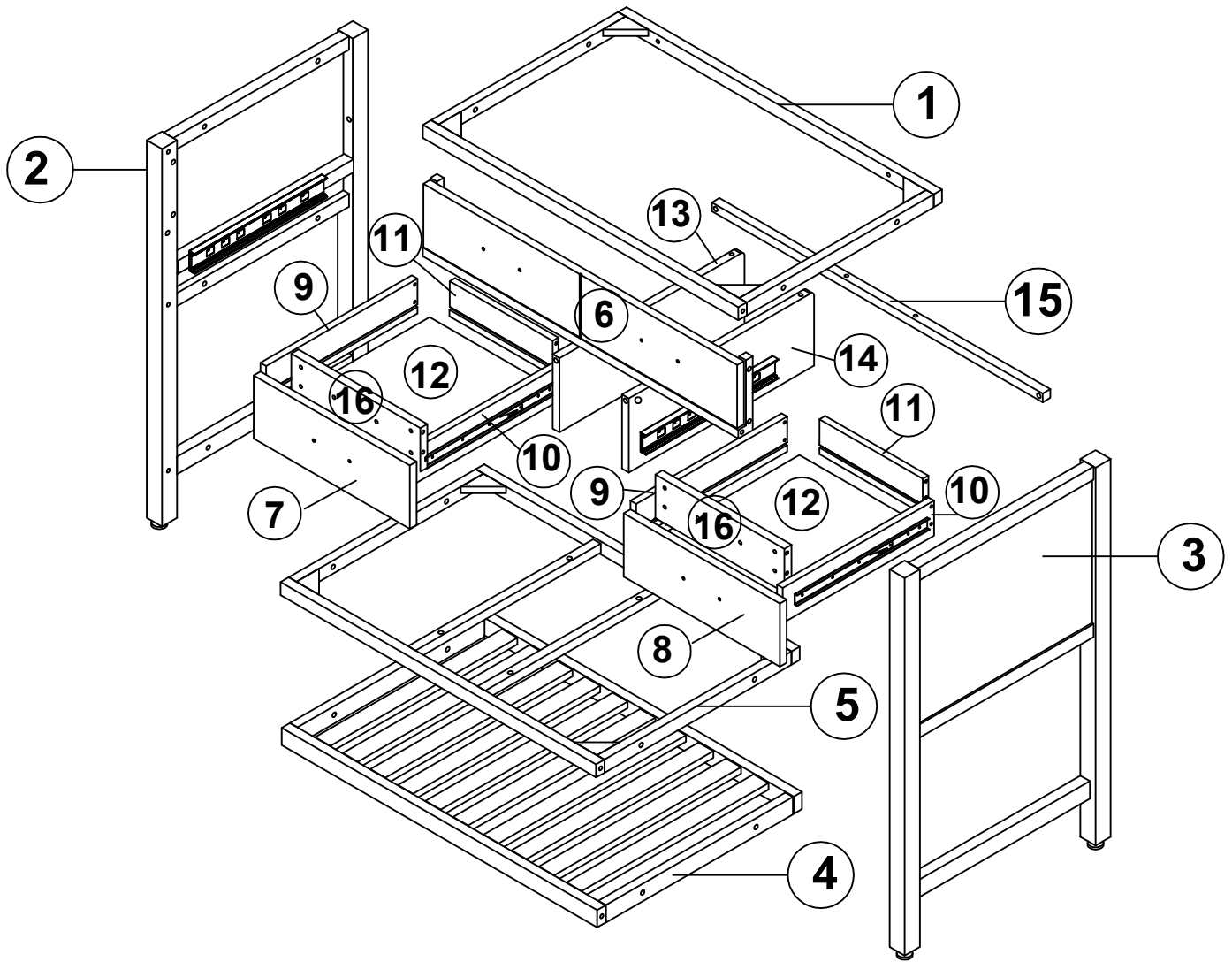


### Tools Required




[www.boltonfurniture.com](http://www.boltonfurniture.com)


# Part list - 36" Vanity

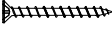



Identifying the hardware-Identify the hardware using the illustrations below


**A**  **12**  
Ø8\*30mm Wood Dowel

**B**  **24**  
M6\*45mm Bolt

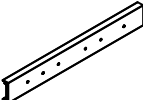
**C**  **24**  
Ø6\*16mm Washer

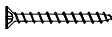
**D**  **16**  
4\*25mm Screw

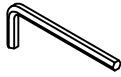
**E**  **32**  
3.5\*15mm Screw

**F**  **04**

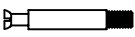
**G**  **04**  
4\*25mm Screw

**H**  **04**


**I**  **02**  
4\*50mm Screw


**K**  **01**

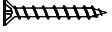
**L**  **16**  
Ø6\*20mm Wood Dowel

**M**  **02**

**N**  **02**

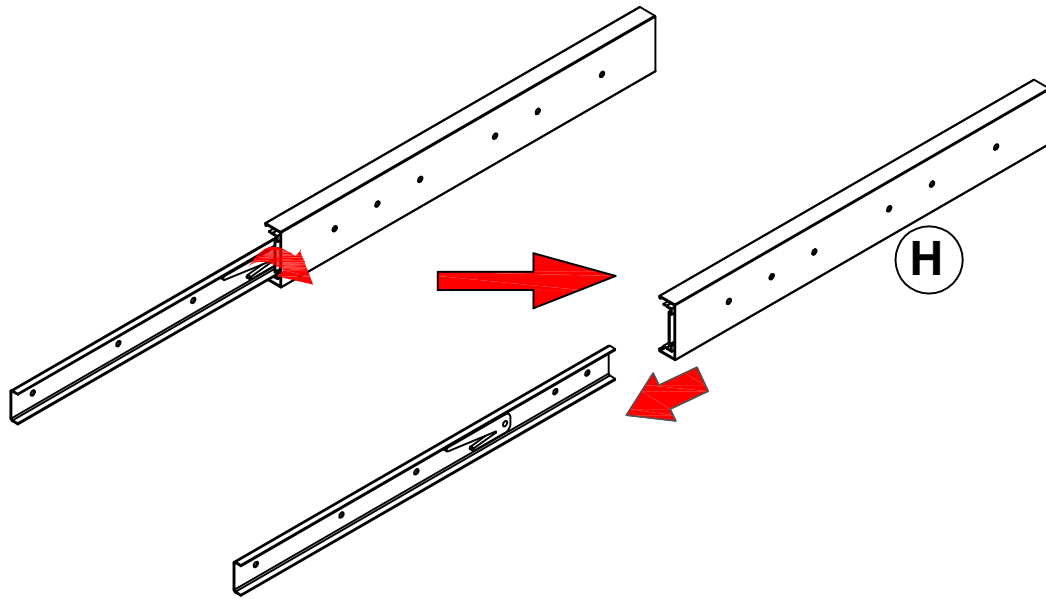
**O**  **04**

**P**  **04**  
4\*15mm Screw

**Q**  **08**  
4\*20mm Screw

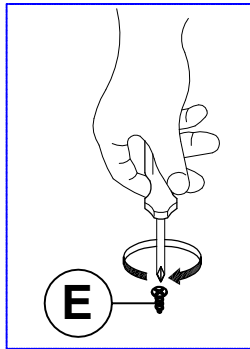
# Step 01

H  04

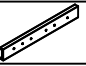



# X4

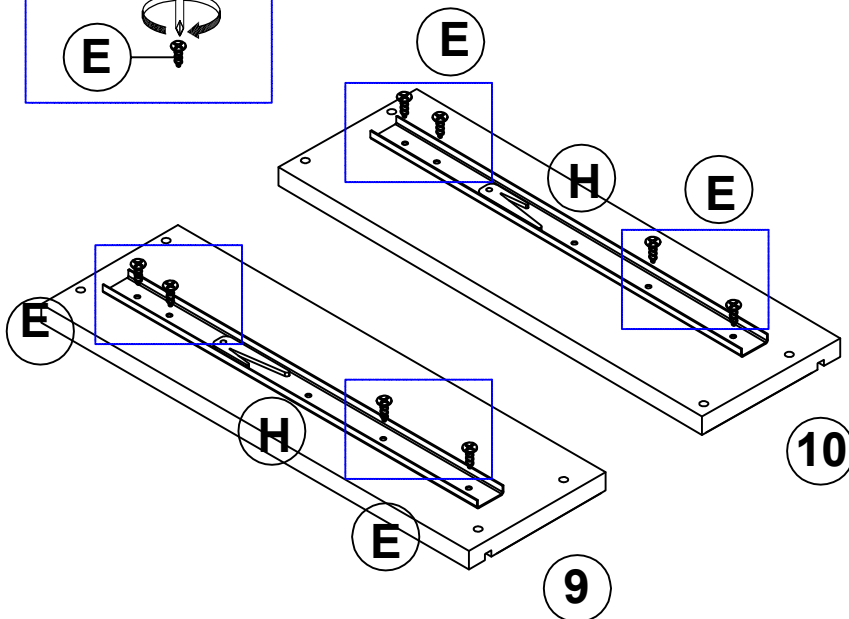
# Step 02



E  16  
3.5\*15mm Screw

H  04

 01

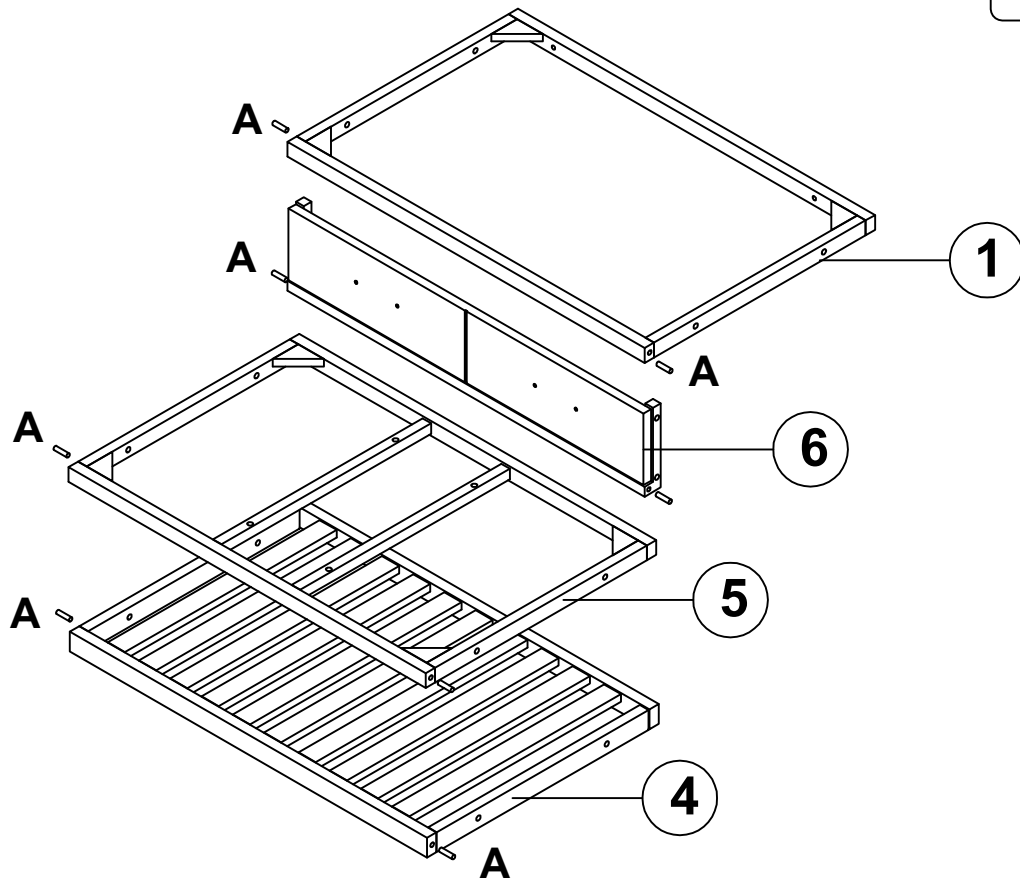


# X2

# Step 03


A  08  
Ø8\*30mm Wood Dowel


 01  
(Not Included)

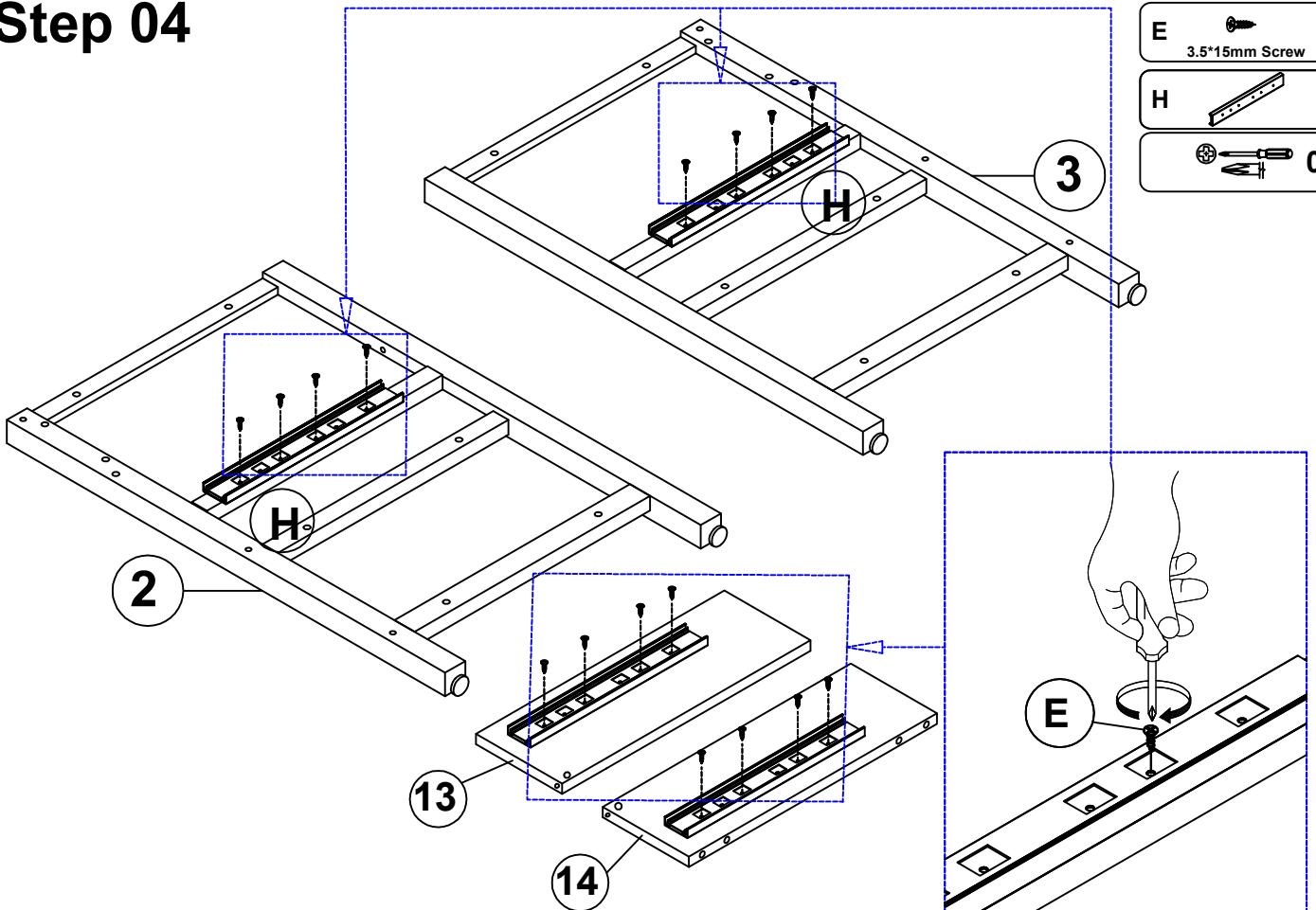


# Step 04

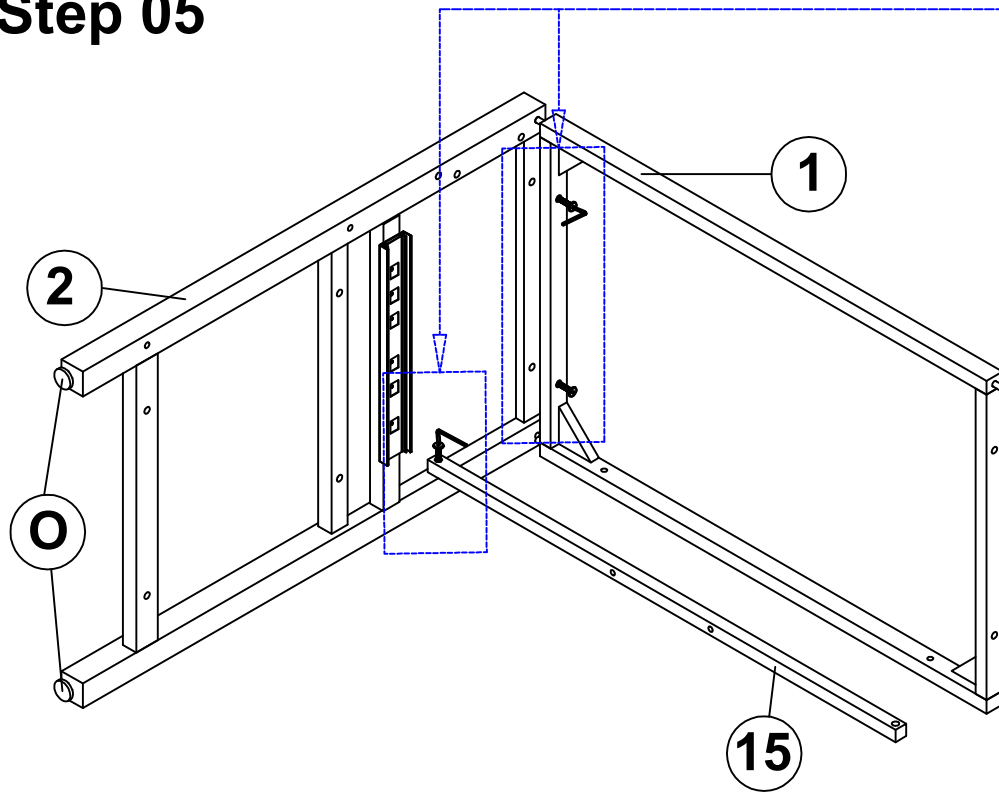
E  16  
3.5\*15mm Screw




H  04

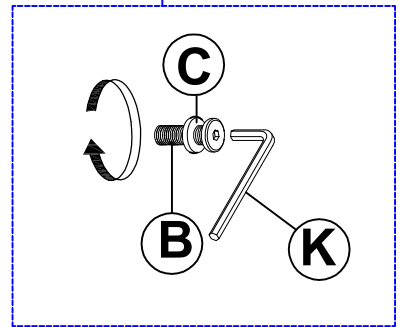
 01



# Step 05

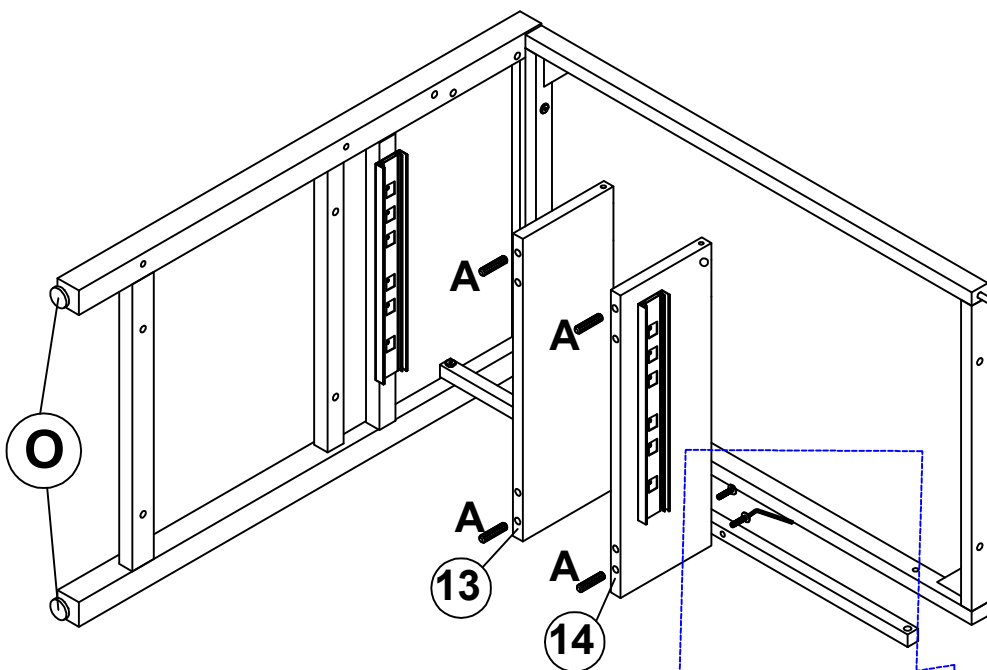






- B**  **03**  
M6\*45mm Bolt
- C**  **03**  
Ø6\*16mm Washer
- K**  **01**

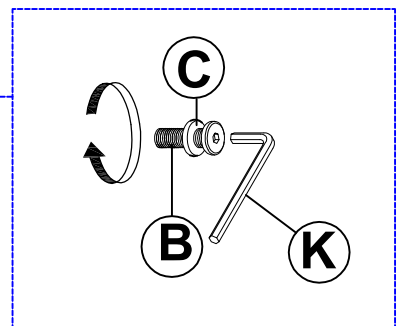


**Note: Do not tighten bolts firmly at this time**

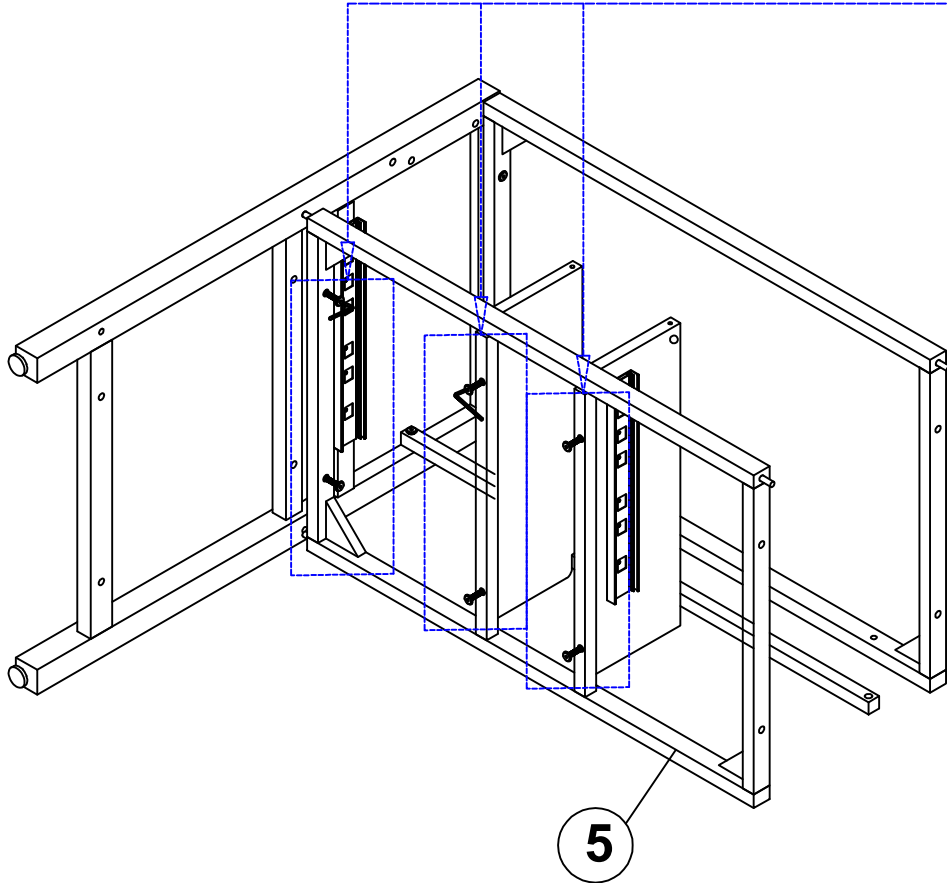
# Step 06






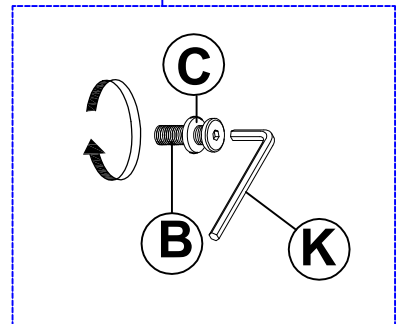
- B**  **02**  
M6\*45mm Bolt
- C**  **02**  
Ø6\*16mm Washer
- K**  **01**
- A**  **04**  
Ø8\*30mm Wood Dowel



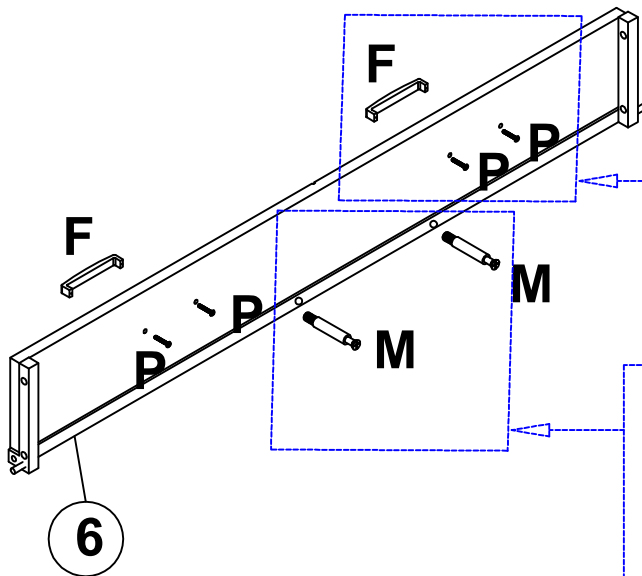
# Step 07

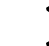


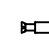


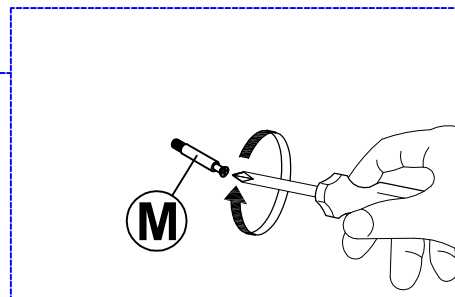
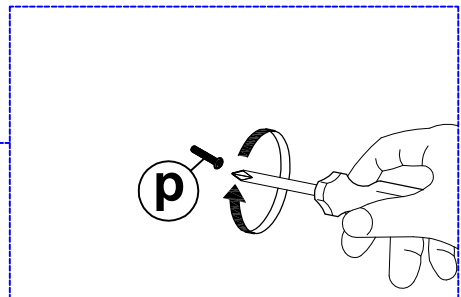
- B**  **06**  
M6\*45mm Bolt
- C**  **06**  
Ø6\*16mm Washer
- K**  **01**



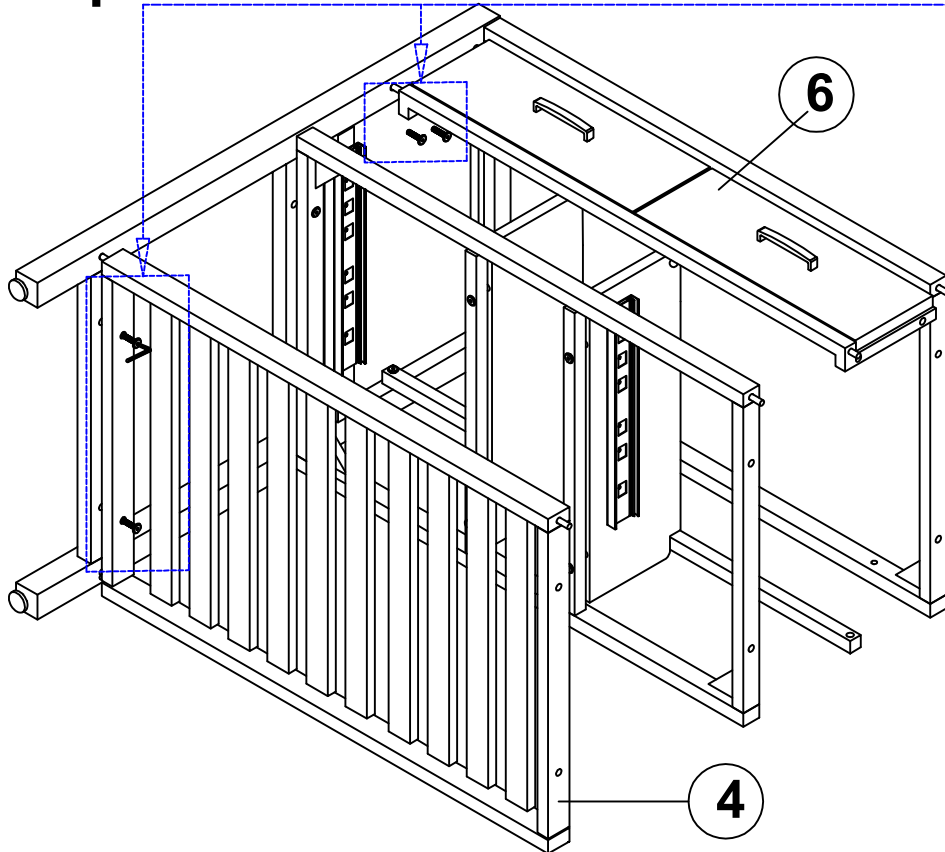
# Step 08






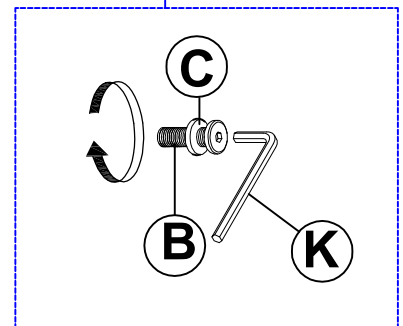
- F**  **02**
- P**  **04**  
4\*15mm Screw
-  **01**
- M**  **02**



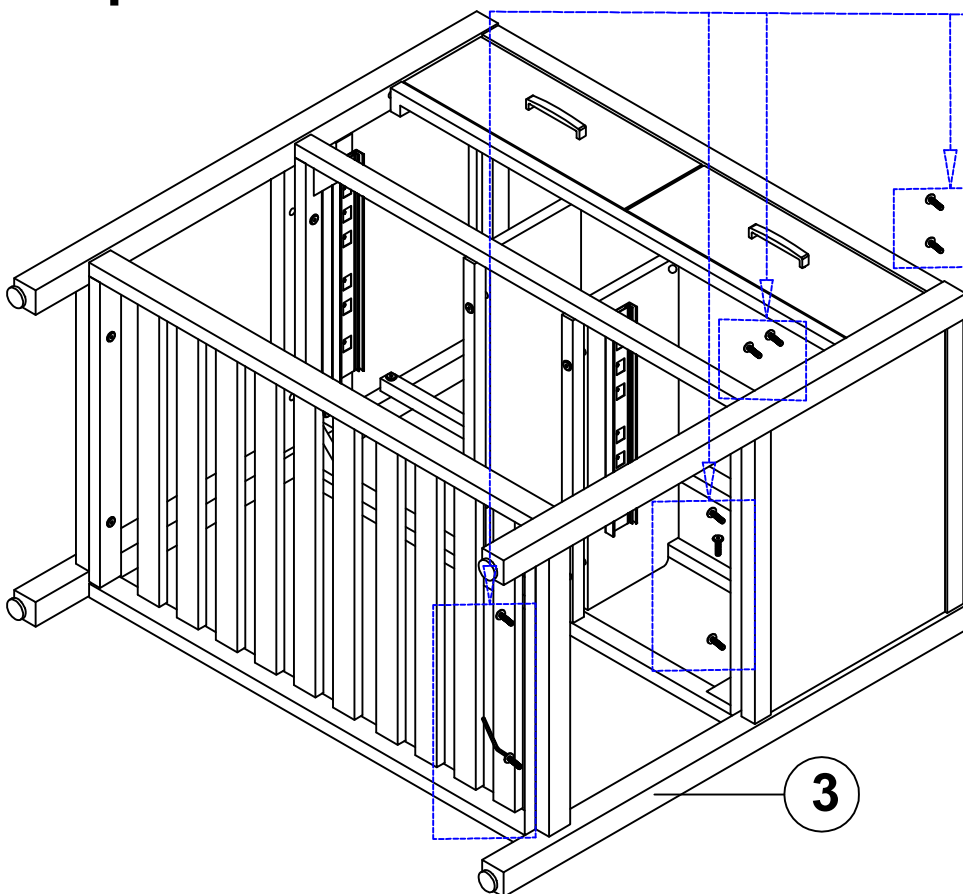
# Step 09






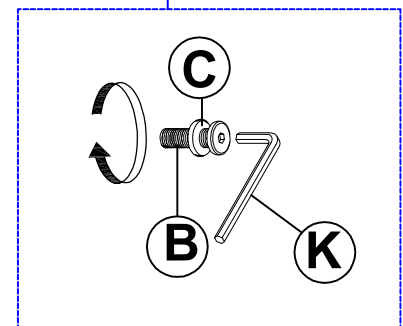
- B**  **04**  
M6\*45mm Bolt
- C**  **04**  
Ø6\*16mm Washer
- K**  **01**



# Step 10




- B**  **09**  
M6\*45mm Bolt
- C**  **09**  
Ø6\*16mm Washer
- K**  **01**

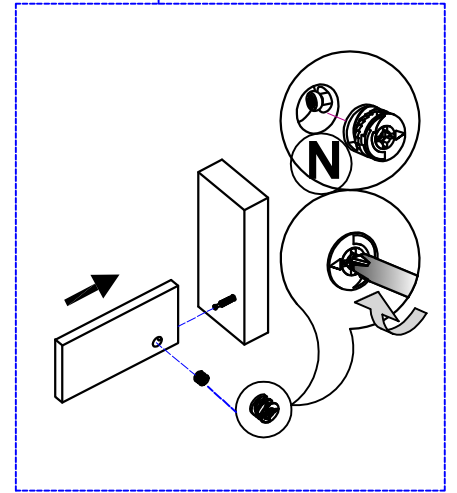
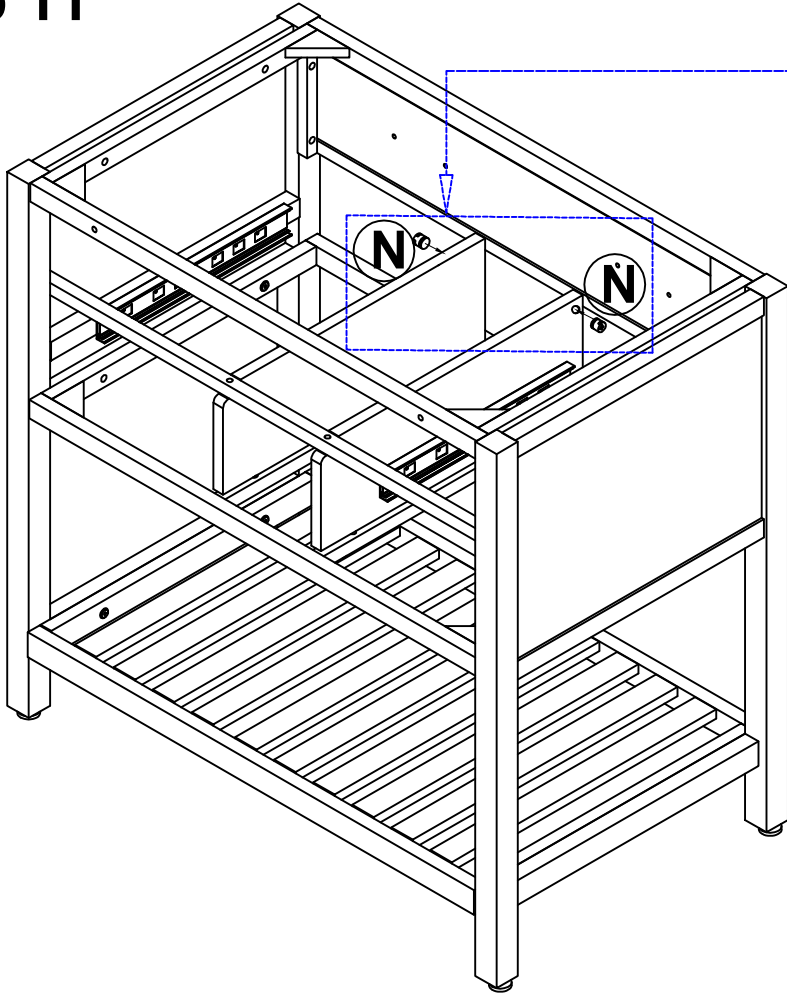


**Note: Tighten all bolts at this time**

# Step 11

N  02

 01

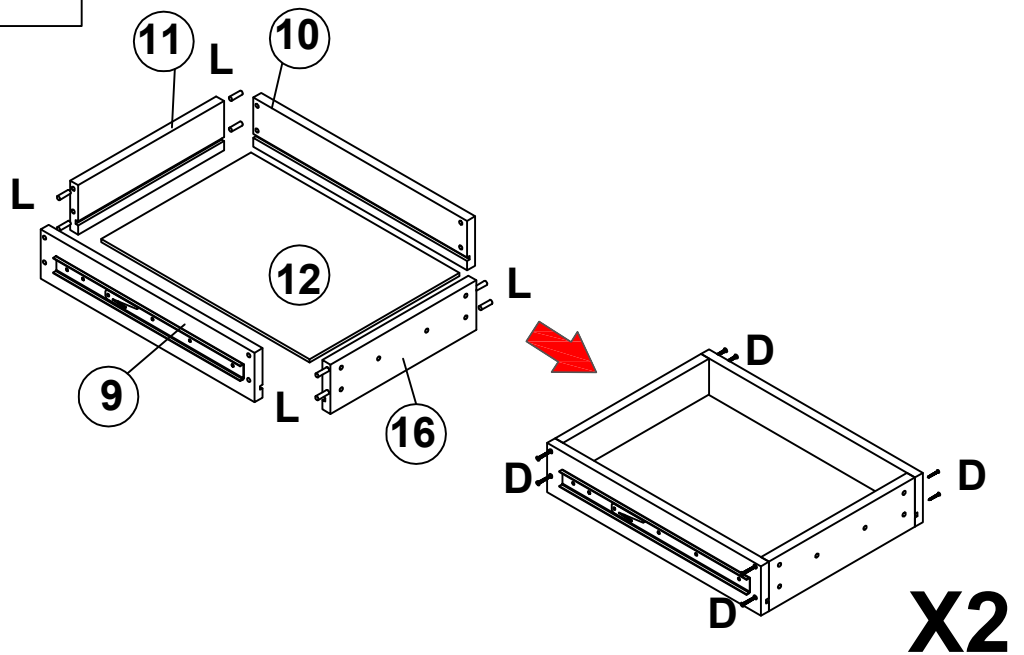
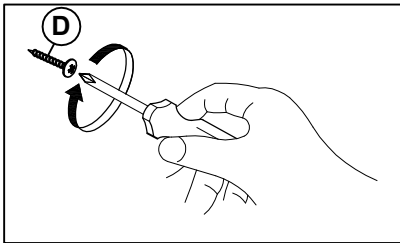


# Step 12

D  16  
4\*25mm Screw

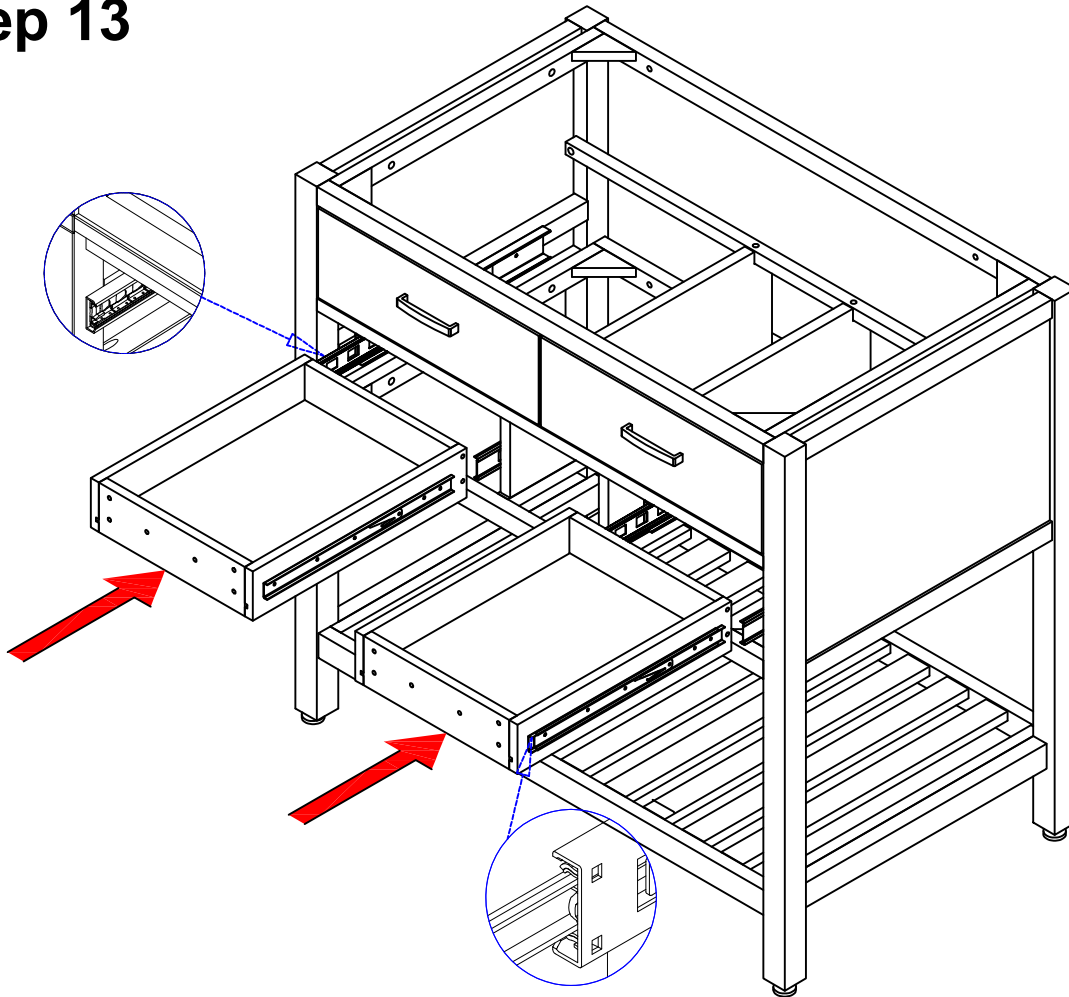
 01

L  16  
Ø6\*20mm Wood Dowel

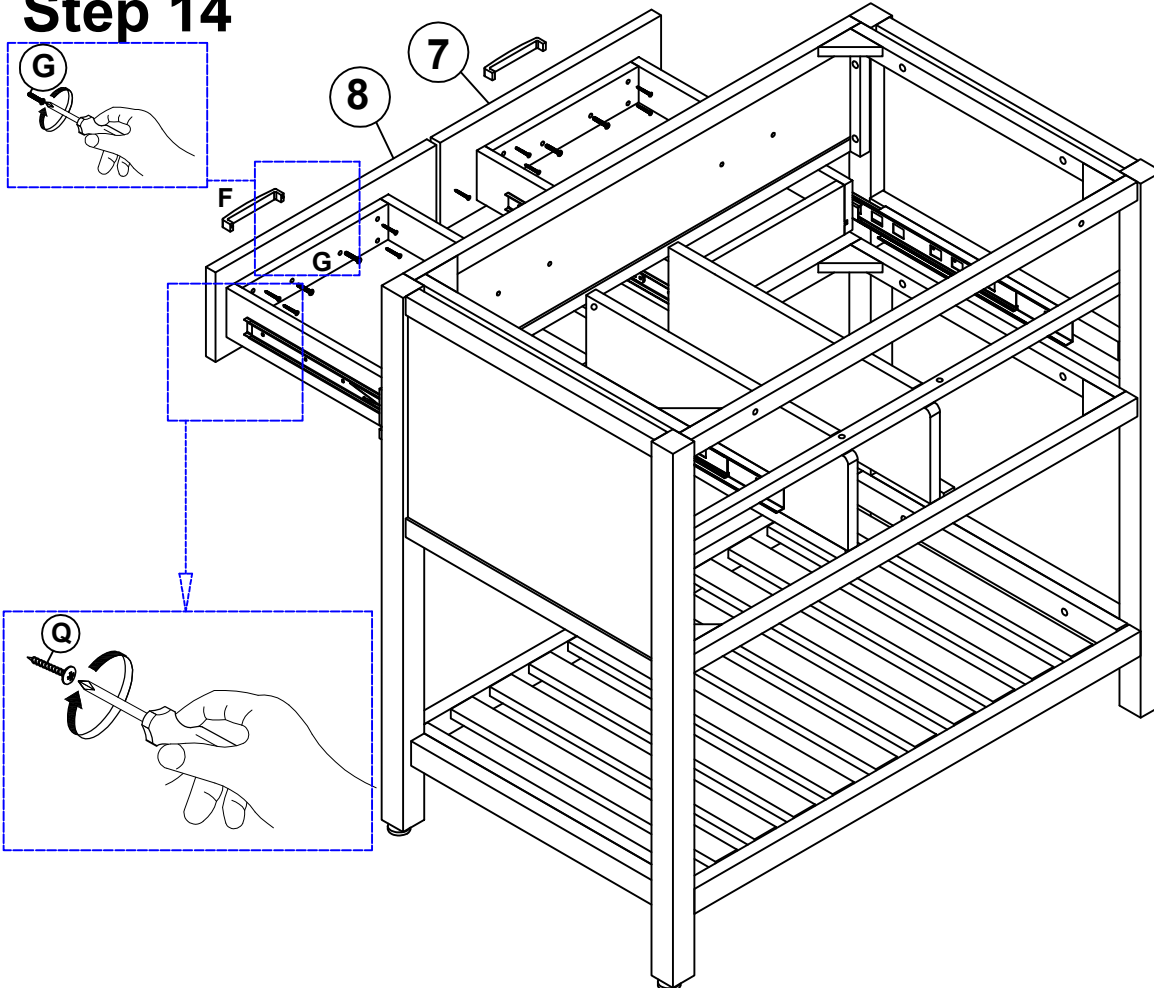








# Step 13




# Step 14



- F  02
- G  04  
4\*25mm Screw
-  01
- Q  08  
4\*20mm Screw

# Step 15

I  02  
4\*50mm Screw

 01

- . Mark the location of the Studs in the wall on the stretcher rail.
- . Drill a 1/16" thru hole in the center of the Stretcher Rail at the location of the studs in the wall.
- . Secure the Vanity to the wall using screws (I)  
Make sure the screws align with the wall.

