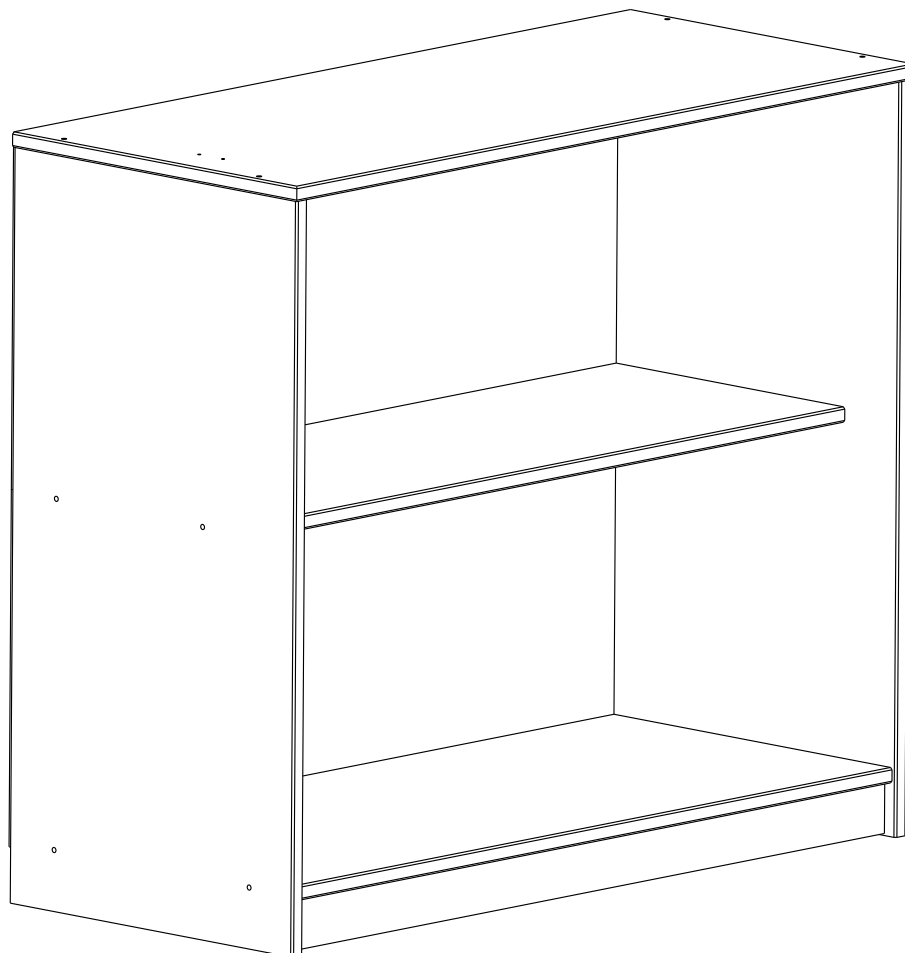


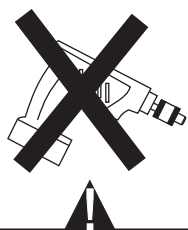
ASSEMBLY INSTRUCTIONS

JR LOFT BOOKSHELF

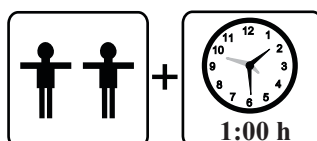


REPLACEMENT PARTS

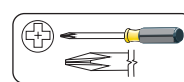
Please do not contact the company purchased from as we can help you faster.
Order replacement parts and hardware at "alaterrefurniture.com"



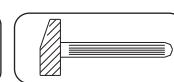
* Use of power tool to assemble this product will invalidate any claim and damage this product making it unsafe !!!
* Please assemble on a clean soft surface to avoid damage.



Tools Required

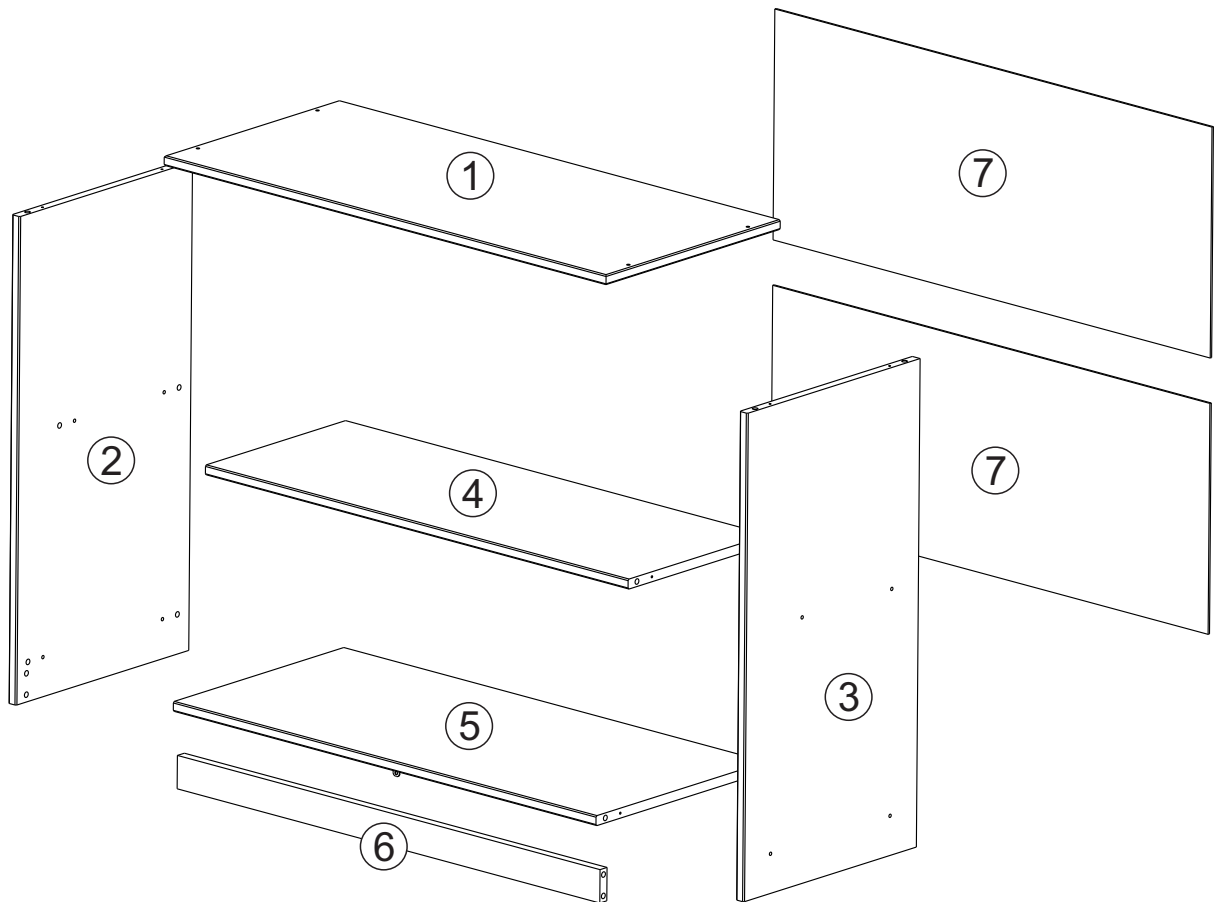


(Not included)



(Not included)

Part List - JR LOFT BOOKSHELF



Identifying the Hardware-Identify the hardware using the illustrations below.

| | | | | | | | | |
|---|--|----|---|--|----|---|--|----|
| L | | 01 | N | | 01 | P | | 16 |
| Q | | 12 | R | | 39 | T | | 01 |
| U | | 06 | W | | 09 | | | |

01

P



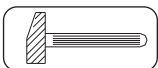
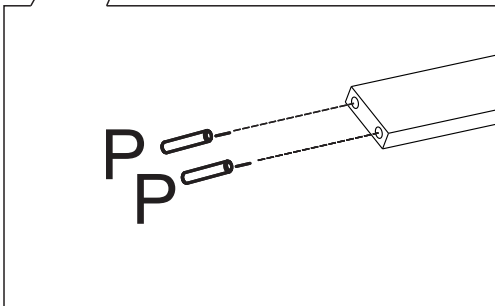
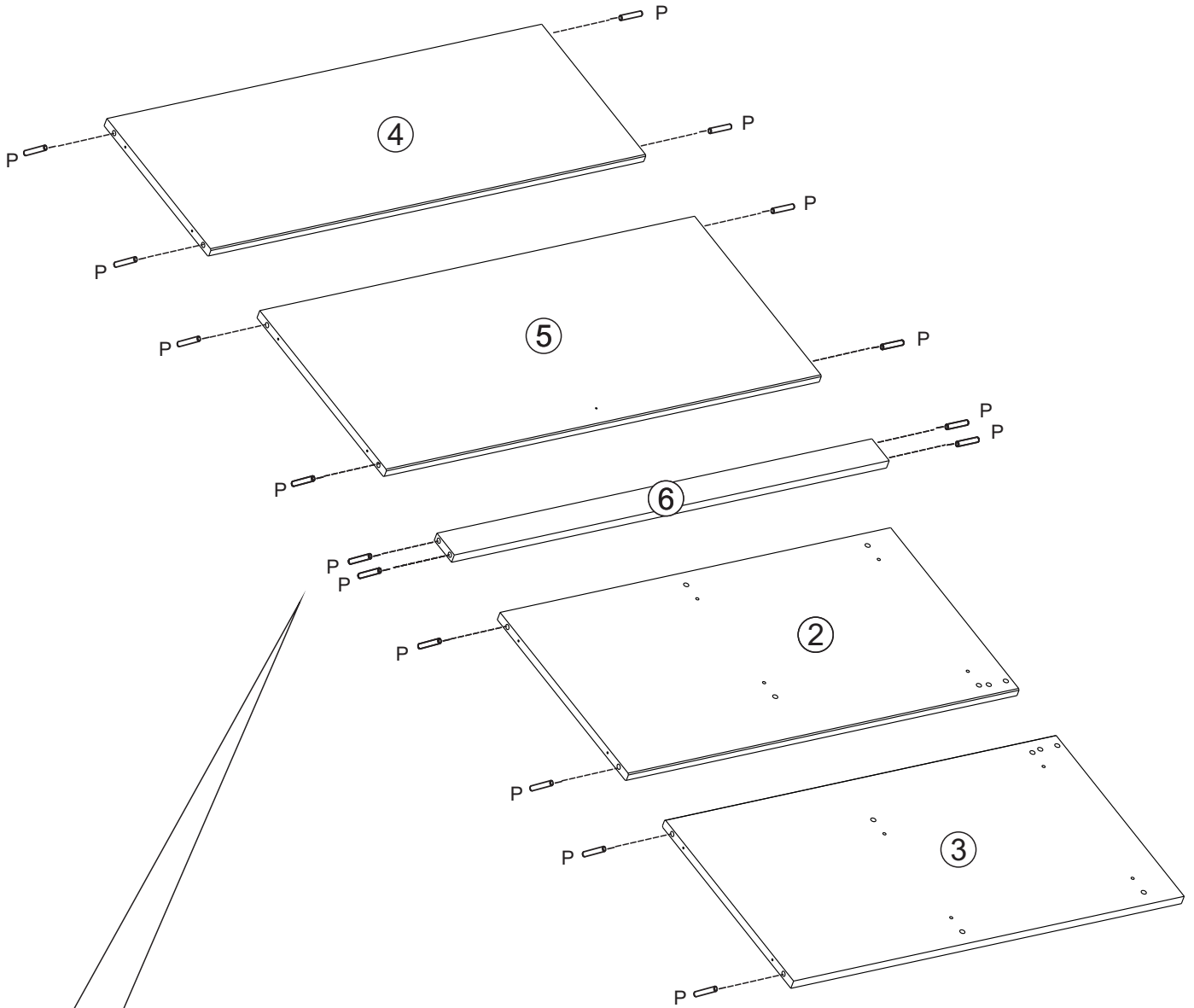
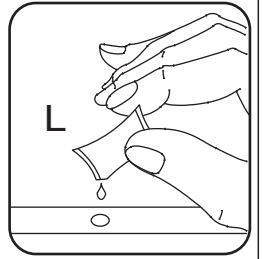
8X30

16

L



01



(Not included)

02

T

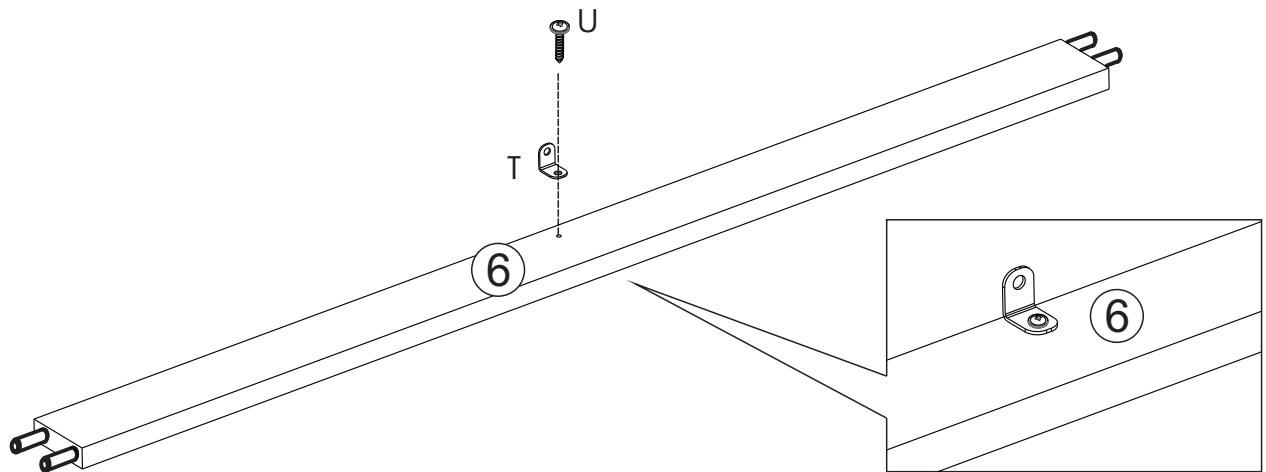
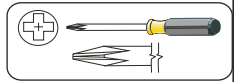


01

U

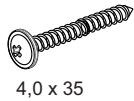


01

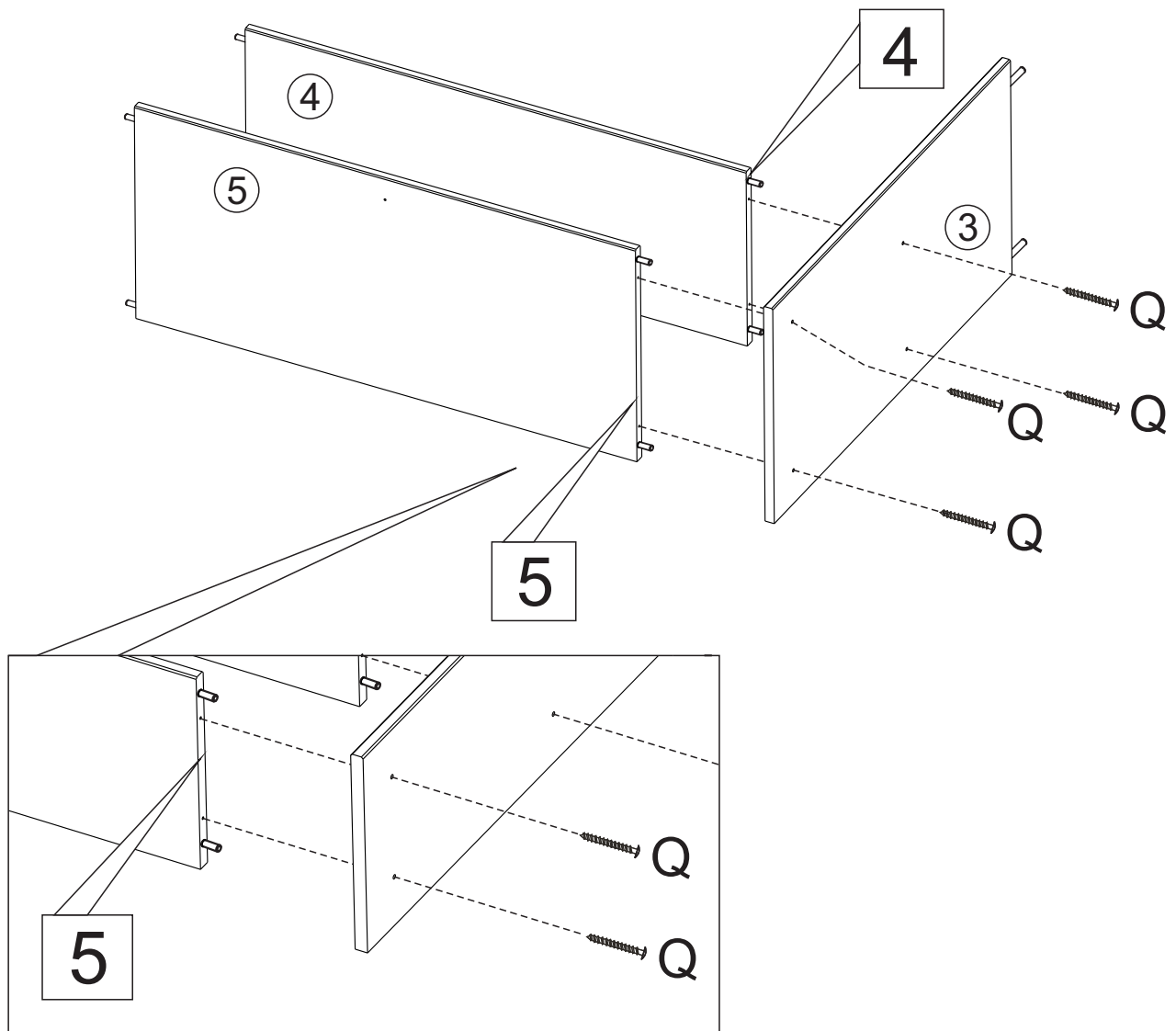
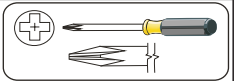


03

Q



04



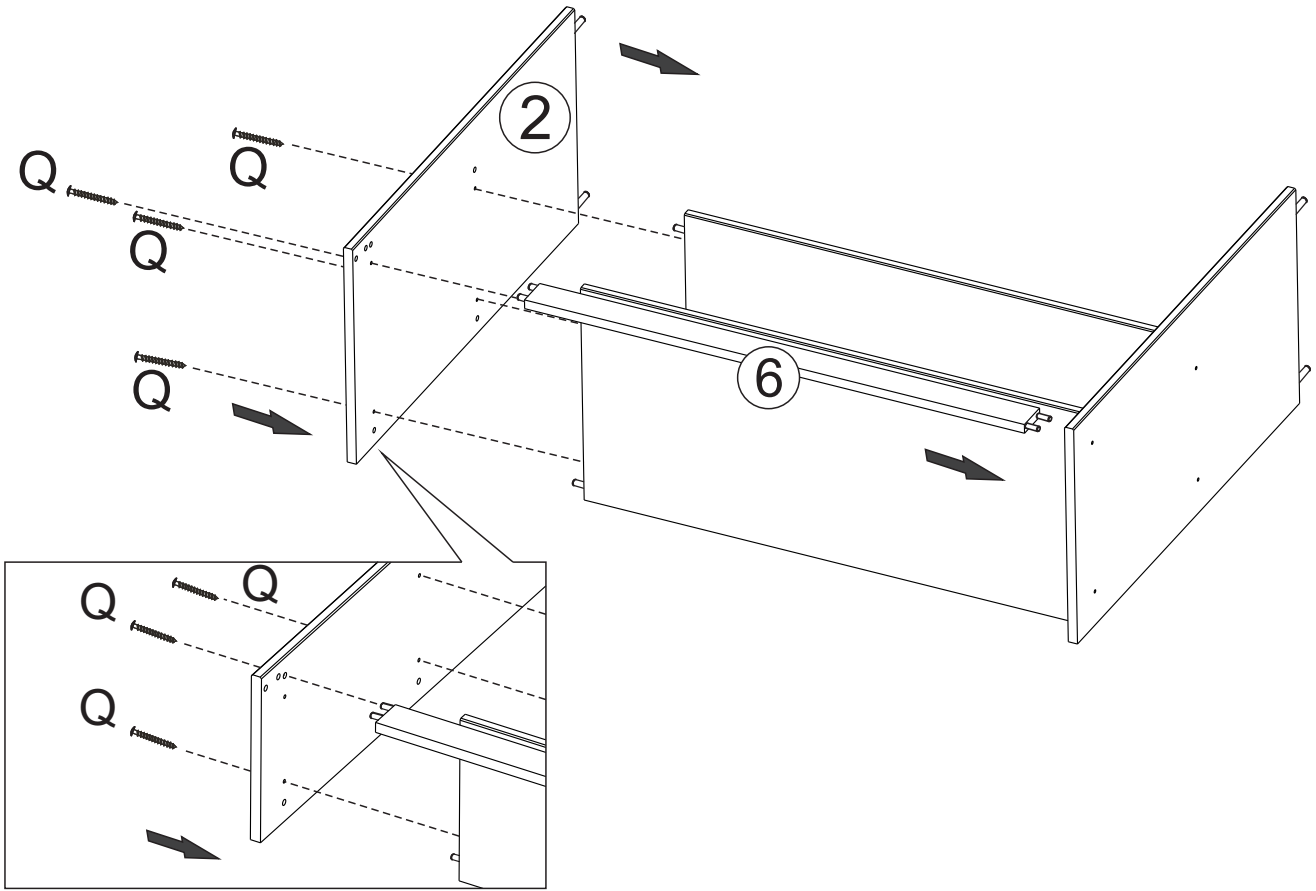
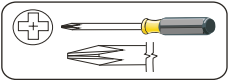
04

Q



4,0 x 35

04



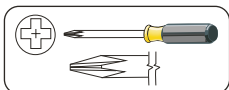
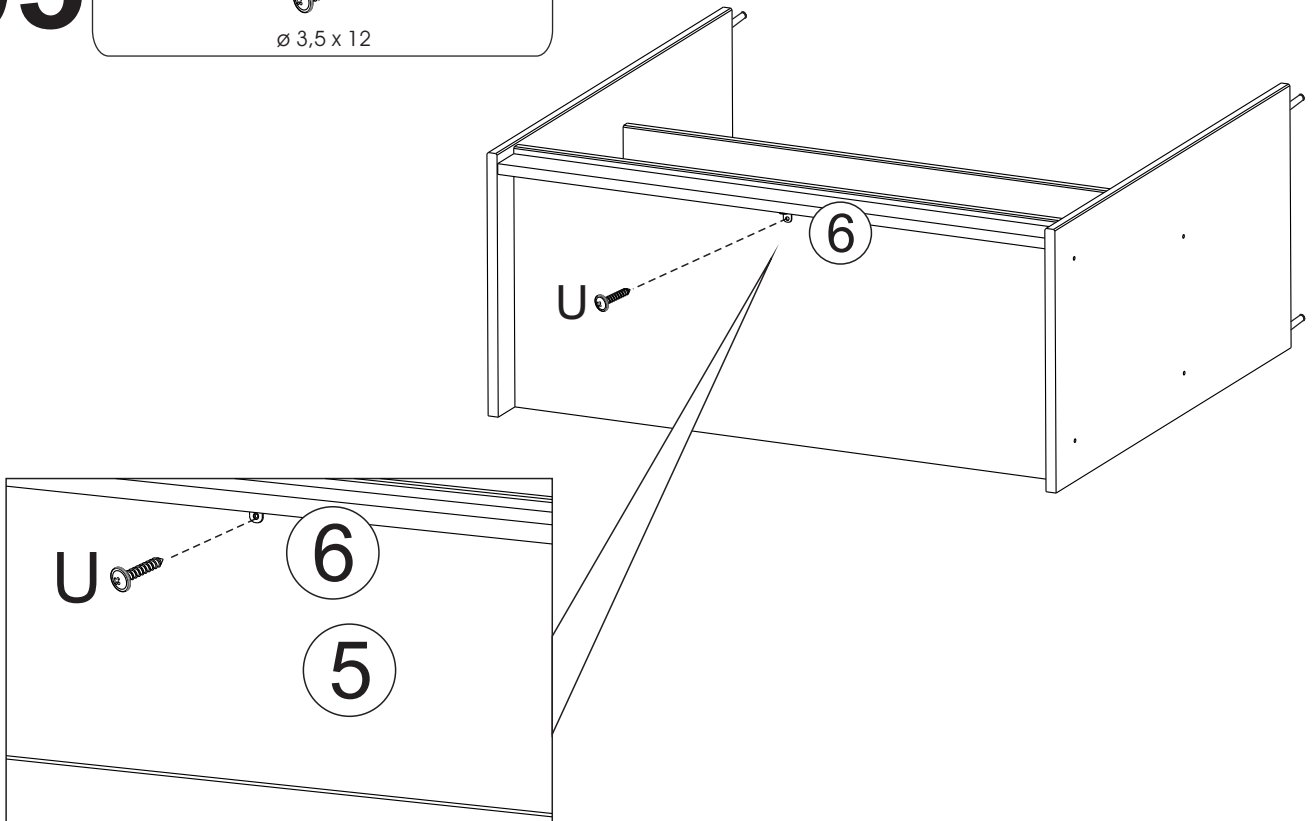
05

U



ø 3,5 x 12

01



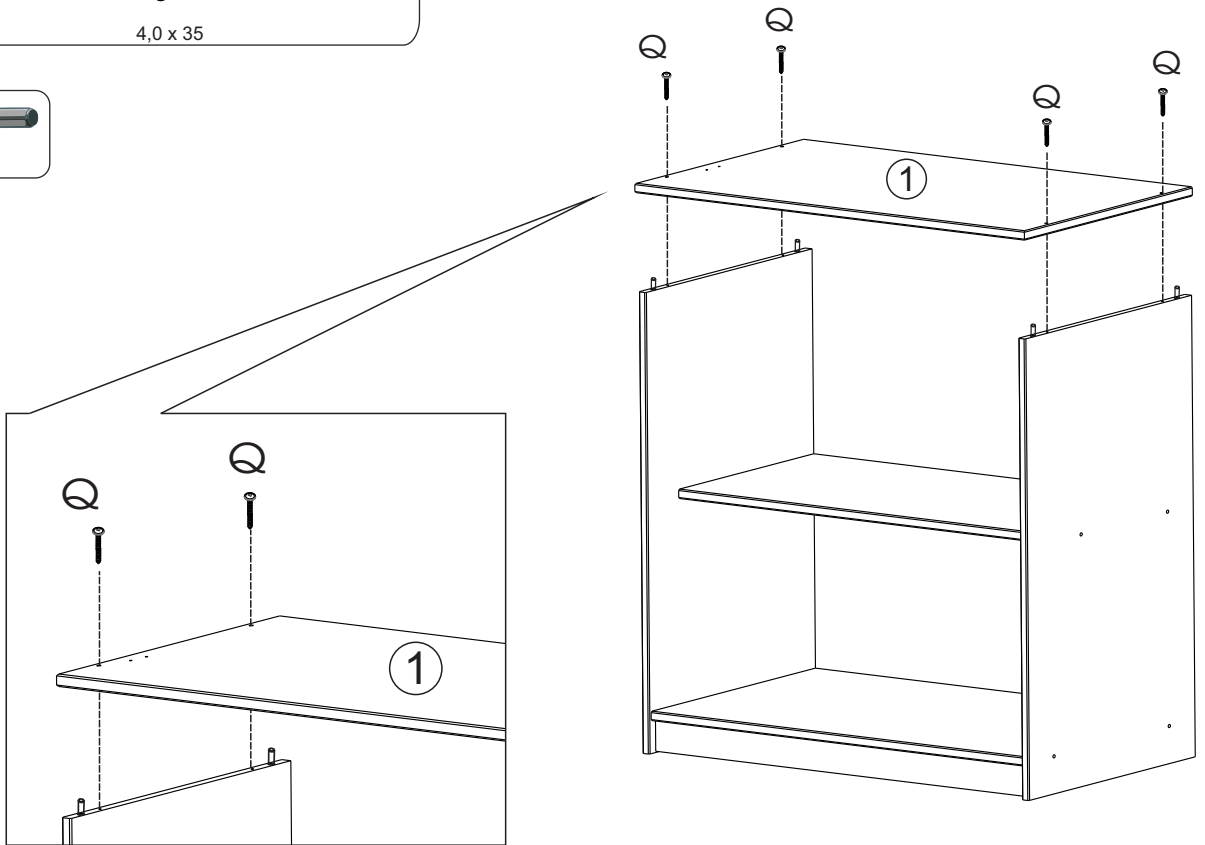
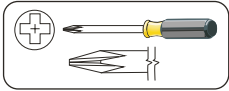
06

Q



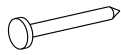
4.0 x 35

04



07

R



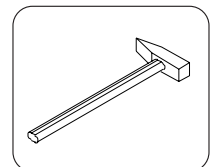
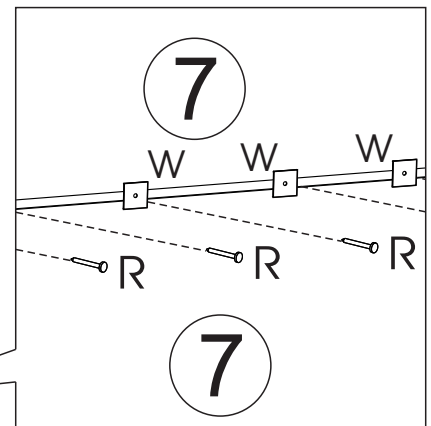
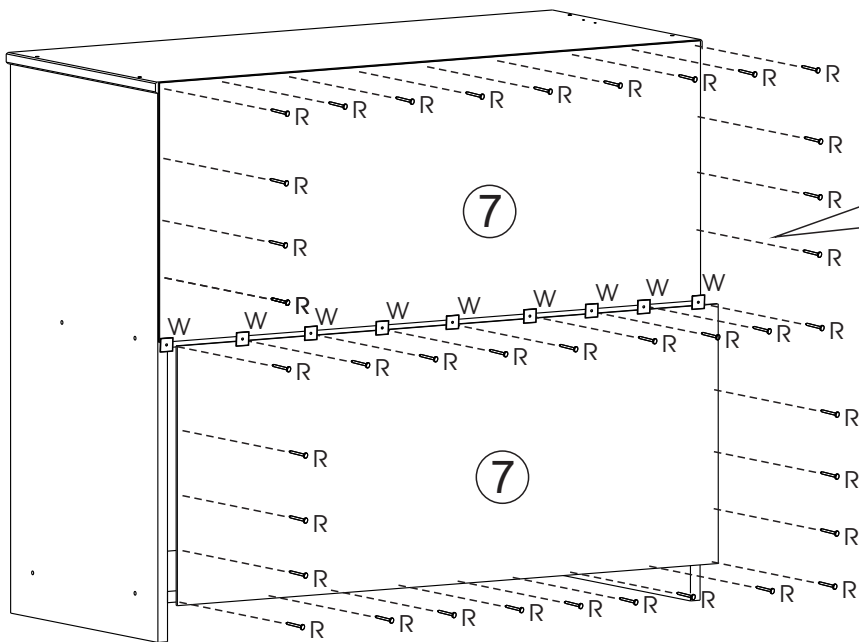
∅ 8X8

39

W



09



08

U



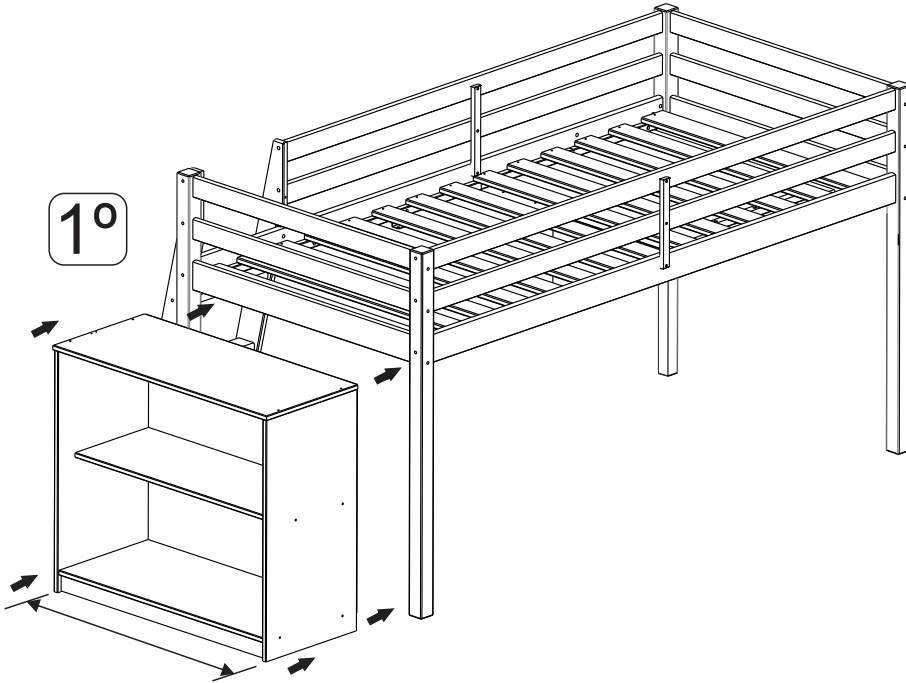
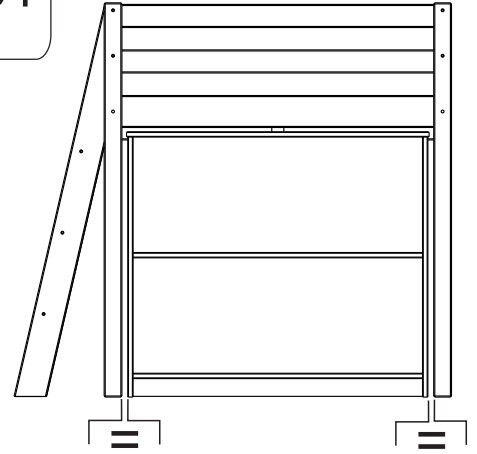
ø 3,5 x 12

04

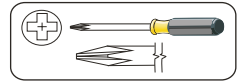
N



01



1°



2°

