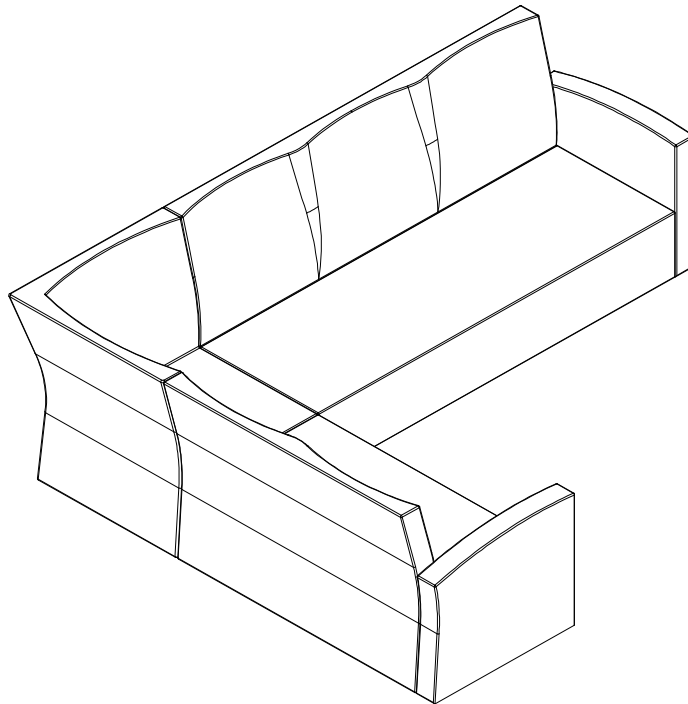


ASSEMBLY INSTRUCTIONS

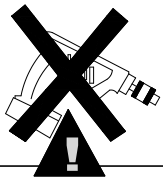
DOUBLE/TRIPLE CORNER (AWWC013445CC)



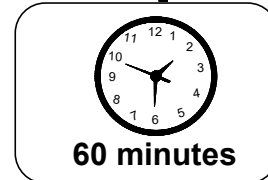
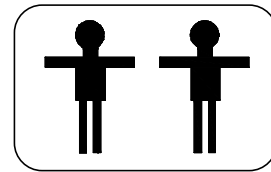
REPLACEMENT PARTS

Please do not contact the company purchased from as we can help you faster.

Order replacement parts and hardware at "boltonfurniture.com"



- . Use of power tool to assemble this product will invalidate any claim and damage this product making it unsafe!!!
- . Please assemble on a clean soft surface to avoid damage.

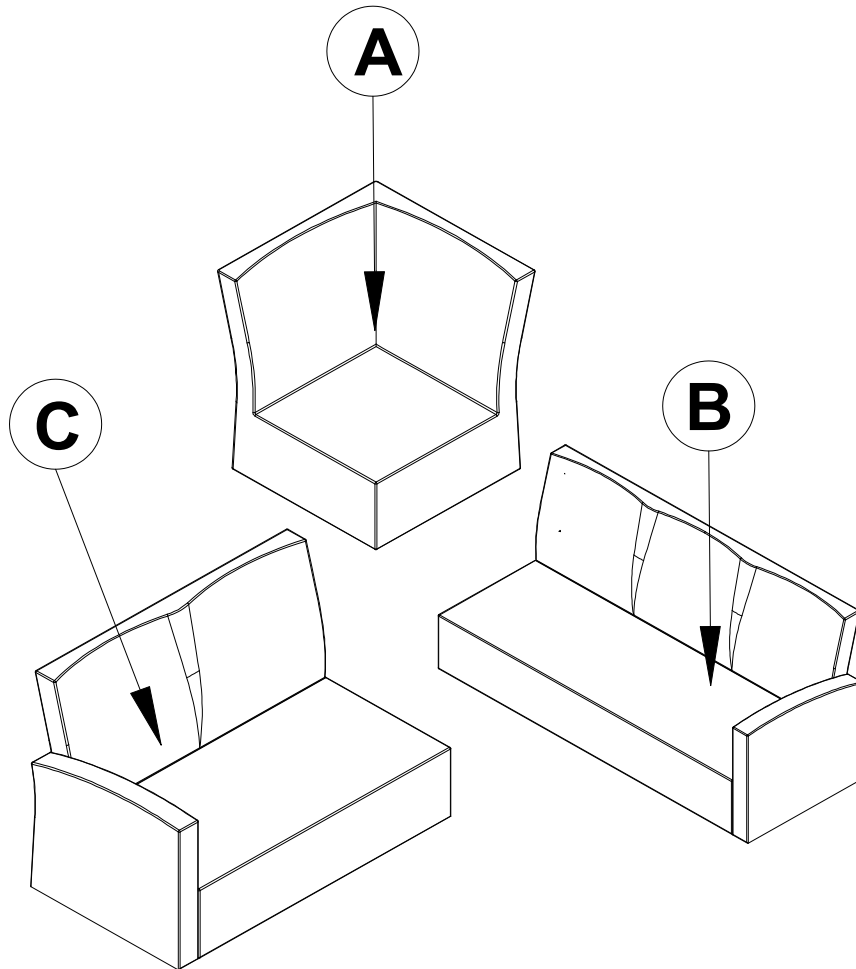


60 minutes

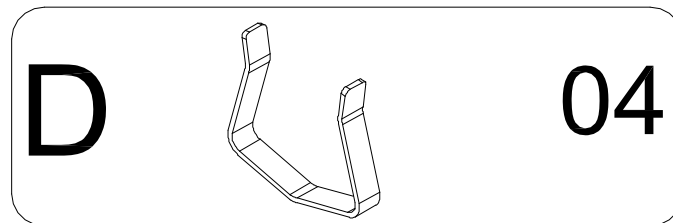
Determine the configuration that you purchased. Choose the Assembly Instructions that matches that configuration.

www.boltonfurniture.com

Part List- Double/Triple Corner

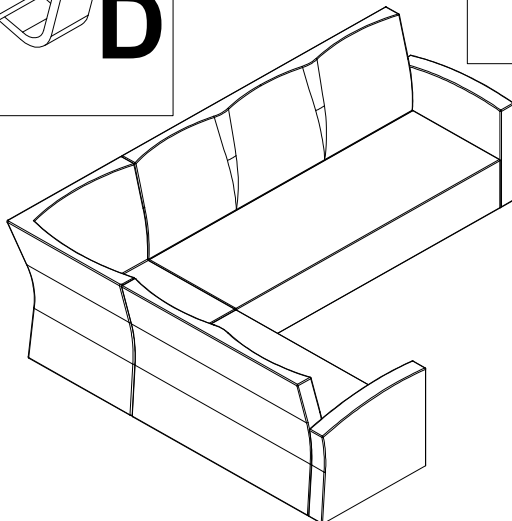
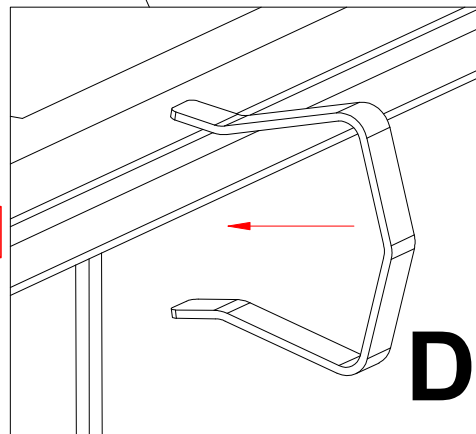
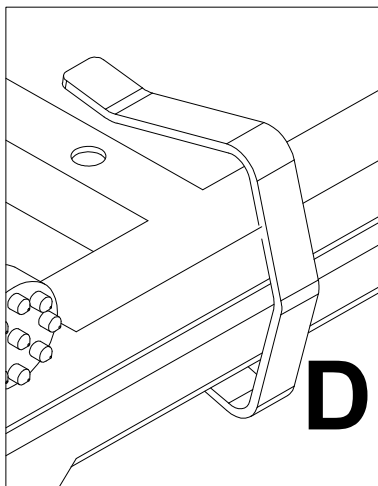
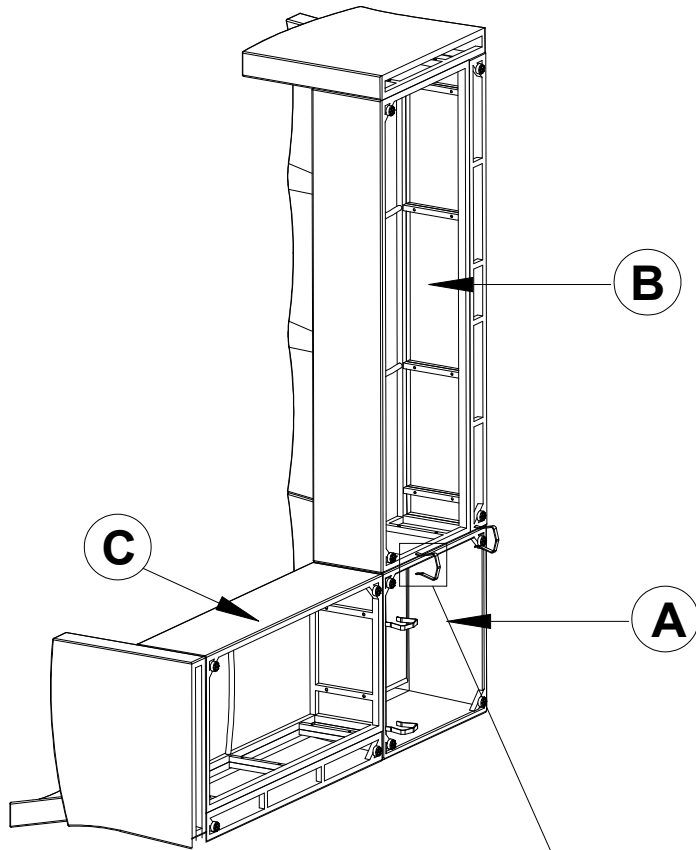
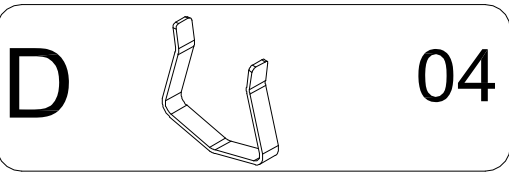


Identifying the hardware-Identify the hardware using the illustrations below.



www.boltonfurniture.com

STEP 1



www.boltonfurniture.com