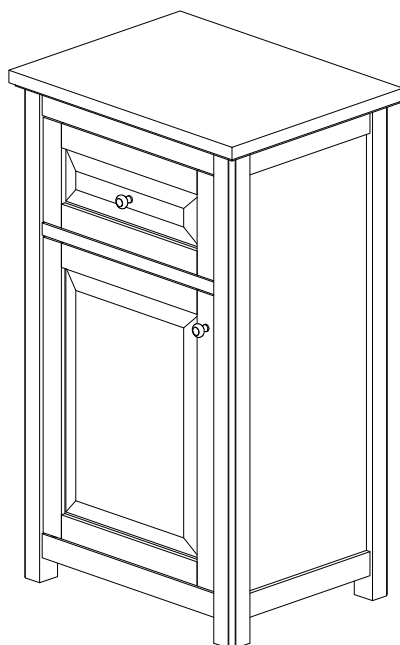


# Alaterre Furniture

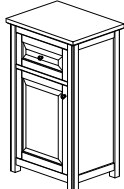
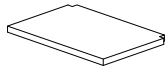
## Storage Delux Base



Thank you for purchasing the Storage Hutch from ALATERRE FURNITURE. We have found it helpful to have a second person present during the assembly process.

### Storage Delux Base Assembly Instructions

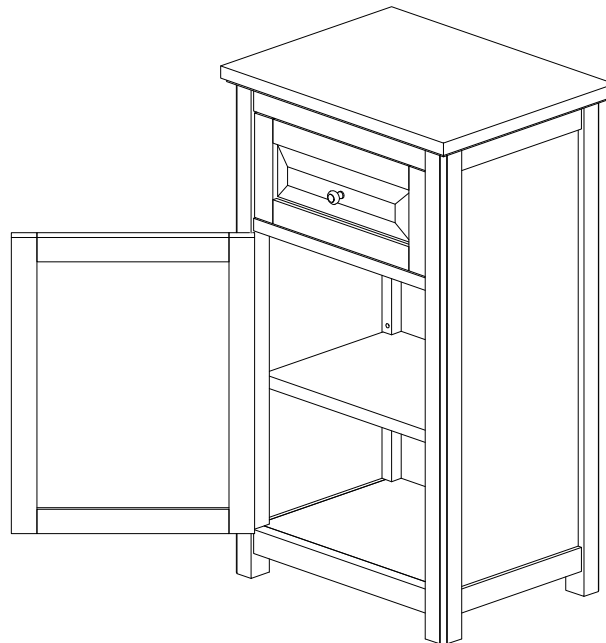
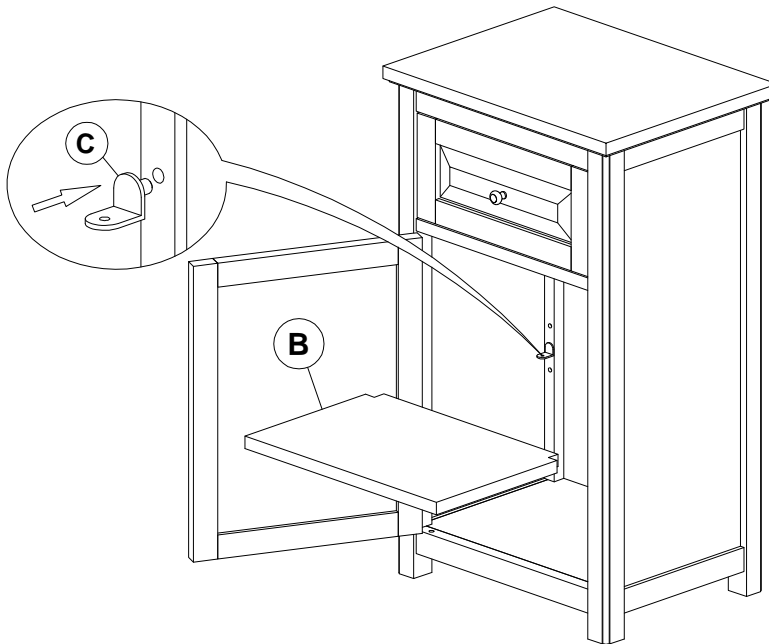
#### Parts

NO.	DRAWING	DESCRIPTION	QTY
<b>A</b>		BASE	<b>1</b>
<b>B</b>		SHELF	<b>1</b>

NO.	DRAWING	DESCRIPTION	QTY
<b>C</b>		SHELF CLIP	<b>4</b>
<b>D</b>		ANTI-TIP	<b>1</b>

## Step 1

Open the door of Storage Delux Base (A), Insert 4-Shelf Clips (C) in Holes on Side Frames at desired location. Place Shelf (B) on Shelf Clips (C).



## CARE

Clean with a non abrasive cloth using a mild soap. Make sure to wipe dry.

---

## REPLACEMENT PARTS:

For best service, to order replacement parts go to [www.alaterrefurniture.com](http://www.alaterrefurniture.com). Use the order form on the website to order your replacement parts. Thank You!