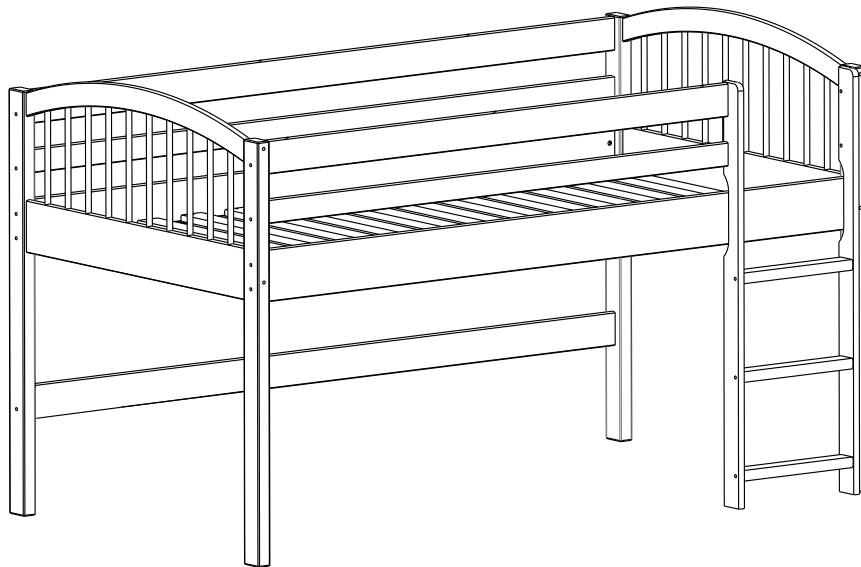


ASSEMBLY INSTRUCTIONS

ADDISON JR LOFT



OPTION 1

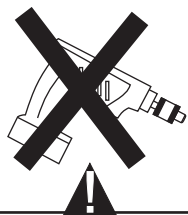


OPTION 2

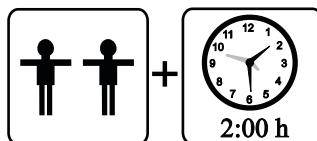


REPLACEMENT PARTS

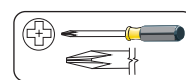
Please do not contact the company purchased from as we can help you faster.
Order replacement parts and hardware at "alaterrefurniture.com"



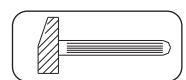
* Use of power tool to assemble this product will invalidate any claim and damage this product making unsafe !!!
* Please assemble on a clean soft surface to avoid damage.



Tools Required

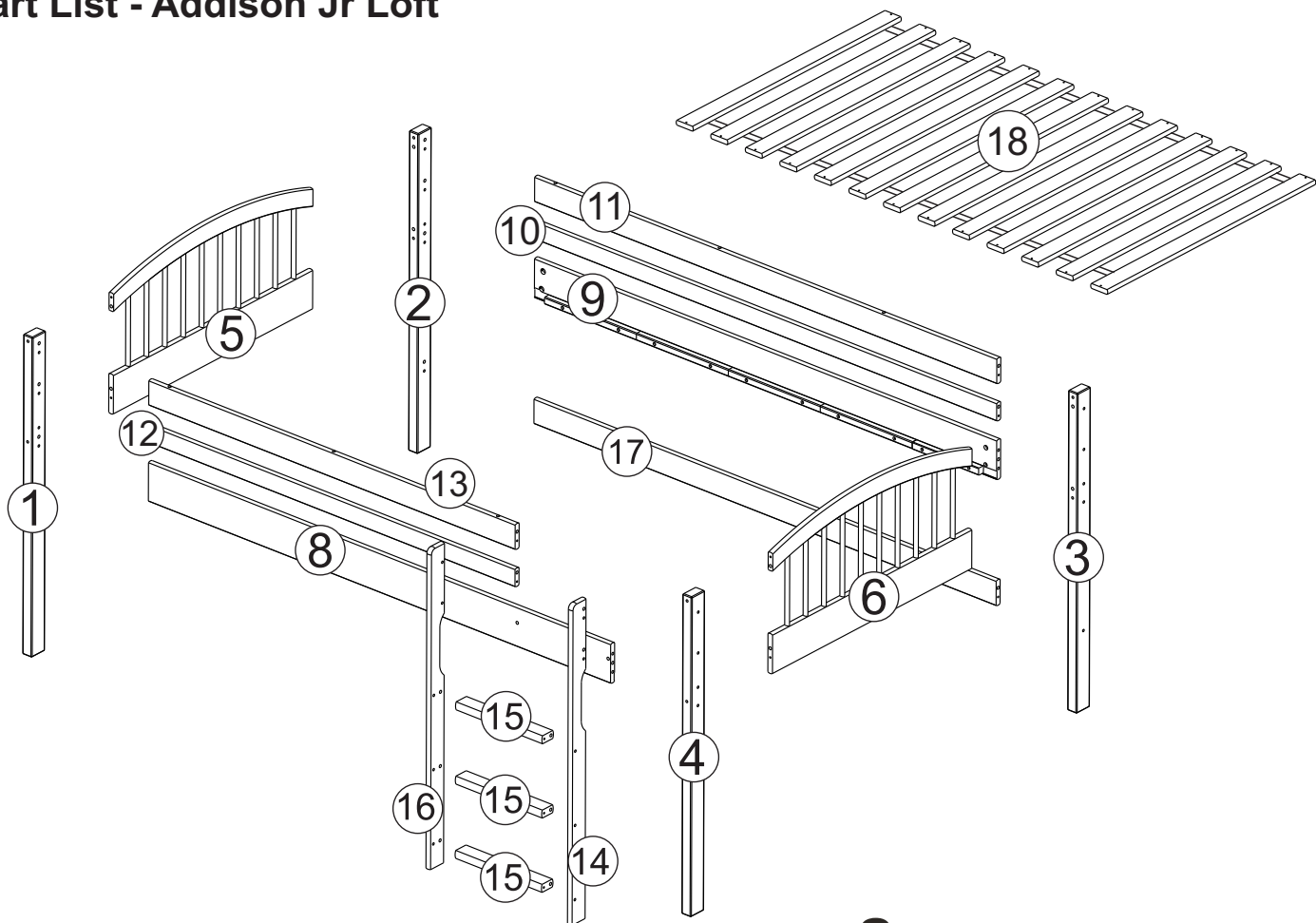


(Not included)

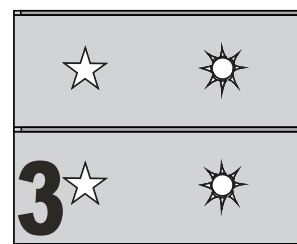
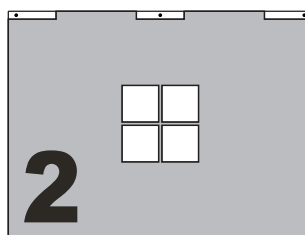
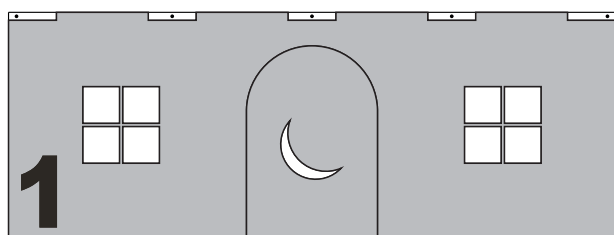


(Not included)

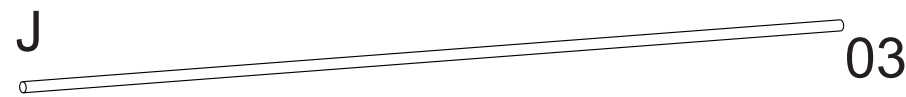
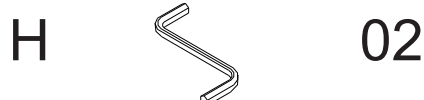
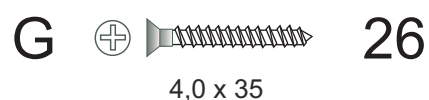
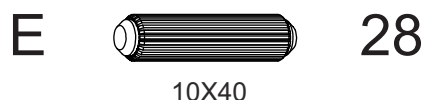
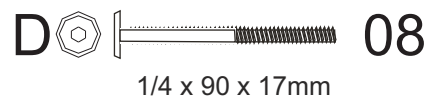
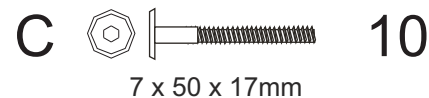
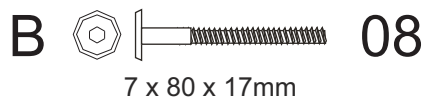
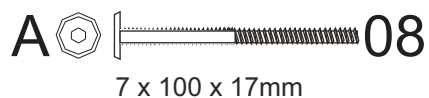
Part List - Addison Jr Loft



2x



Identifying the Hardware-Identify the hardware using the illustrations below.



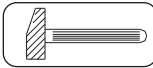
01

E

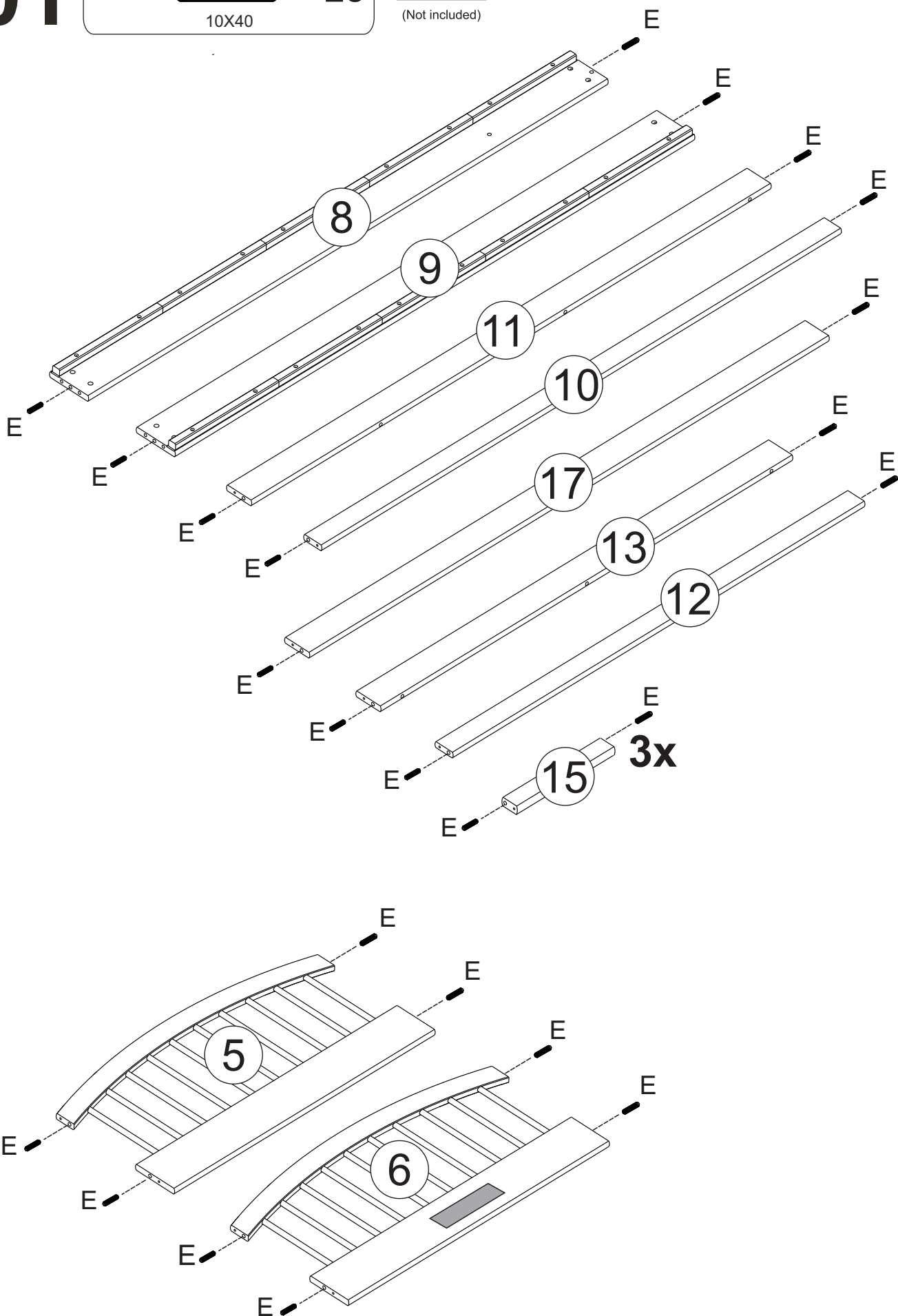


10X40


28



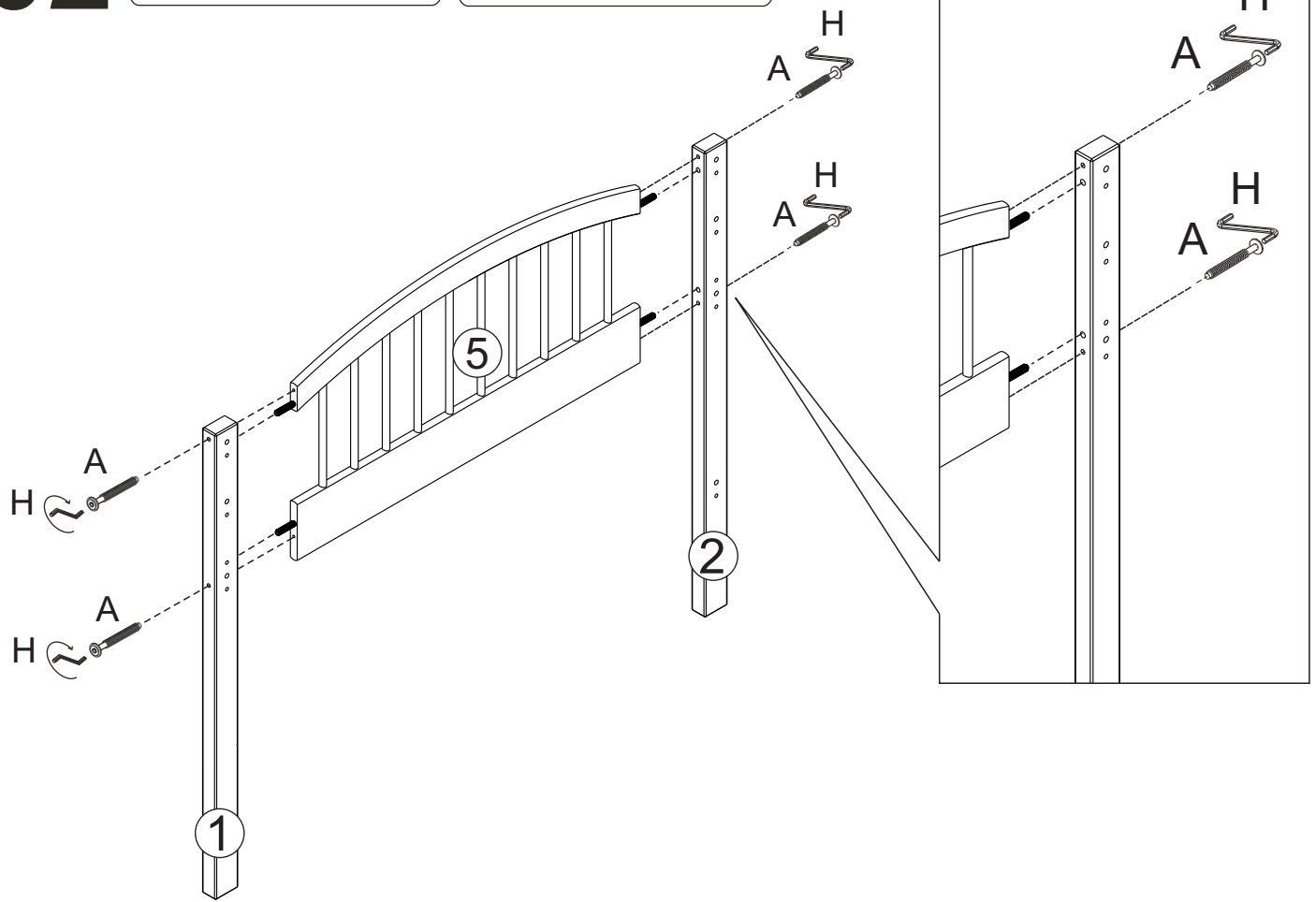
(Not included)




02

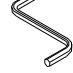
A  04
7 x 100 x 17mm

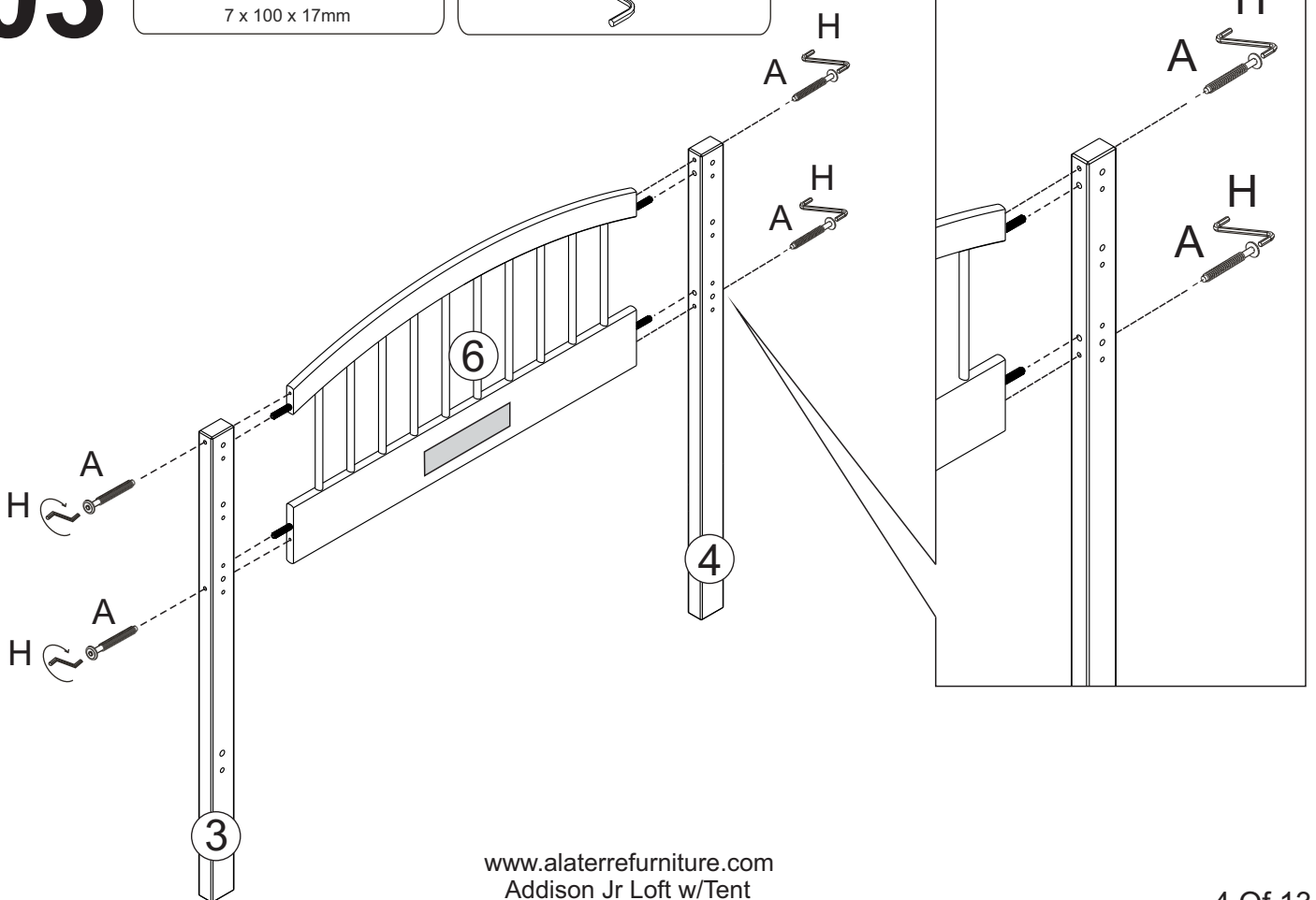
H  02



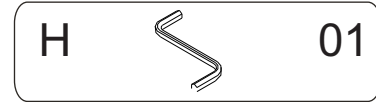
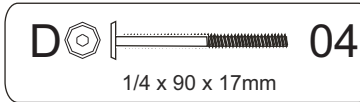
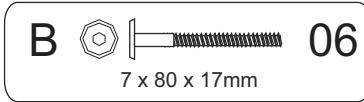
03

A  04
7 x 100 x 17mm

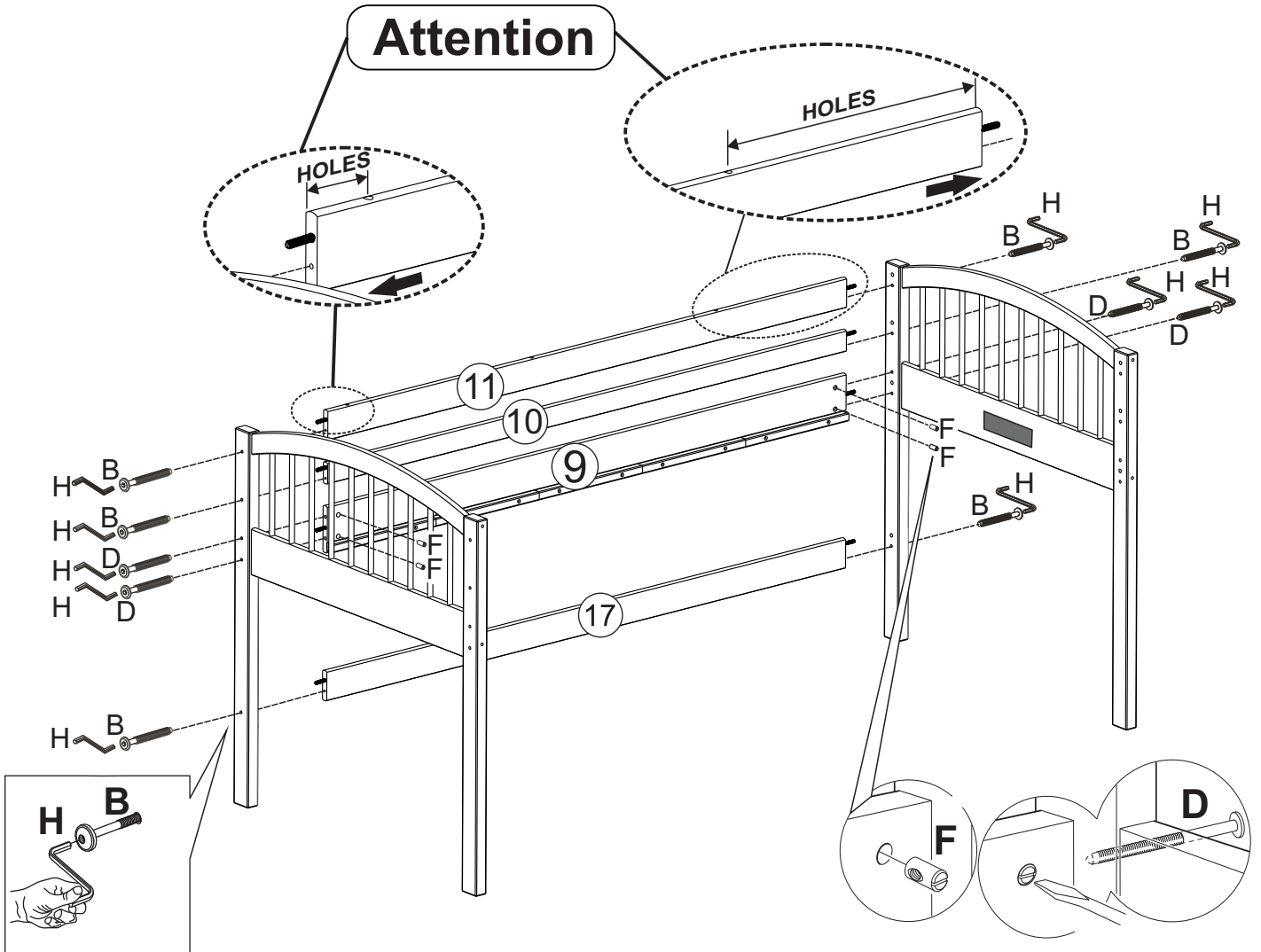
H  02



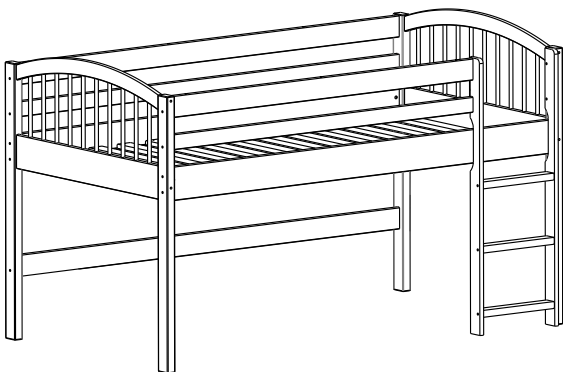
04



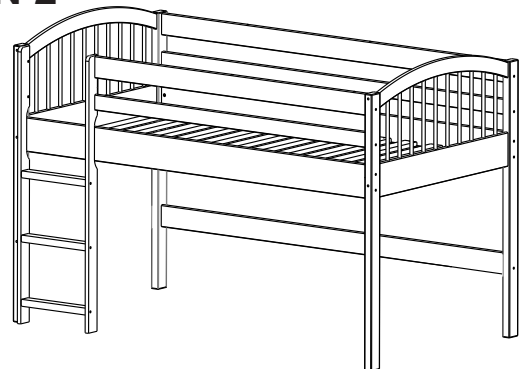
Attention



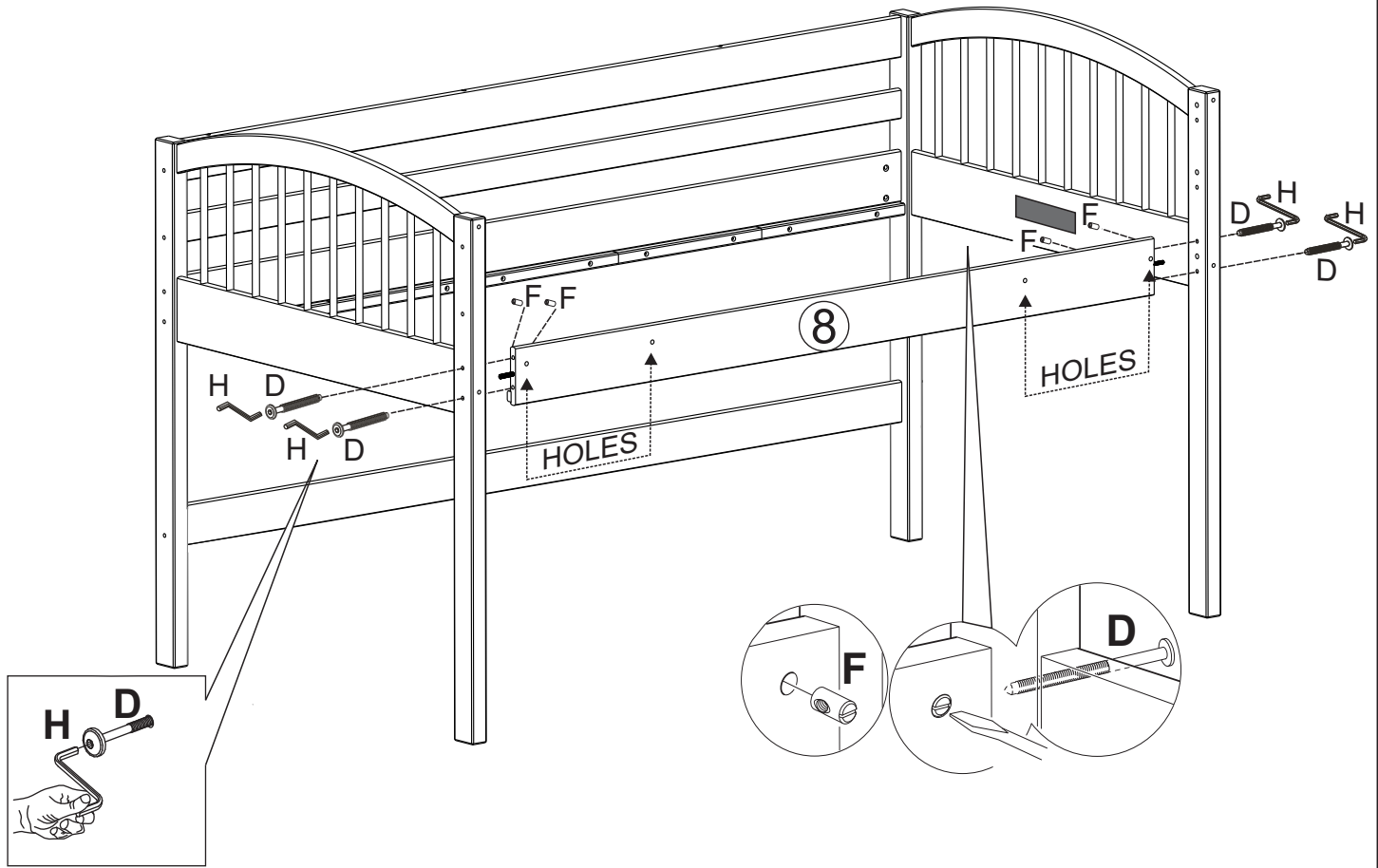
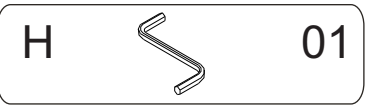
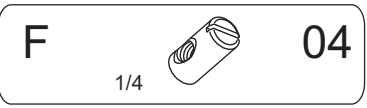
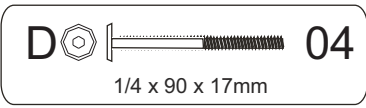
OPTION 1



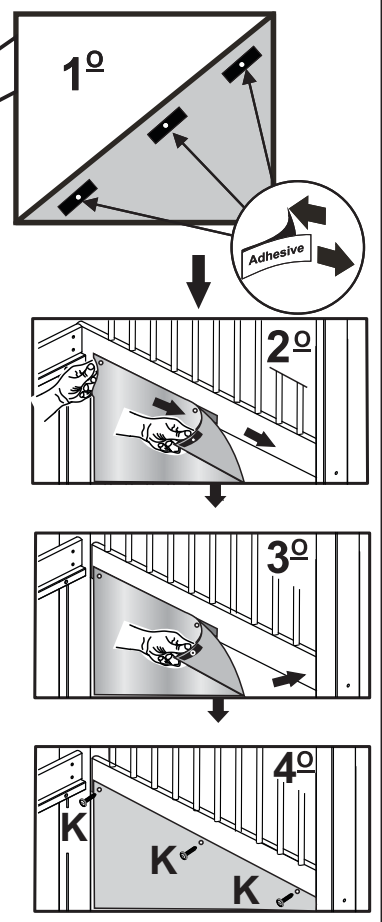
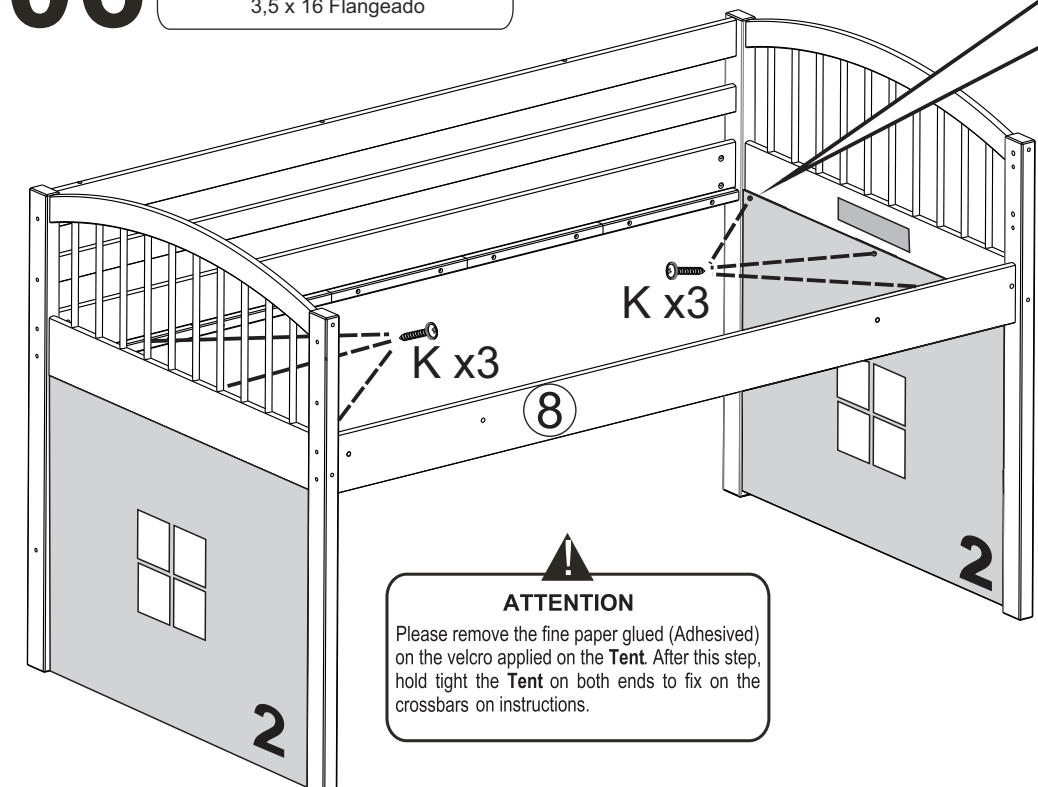
OPTION 2



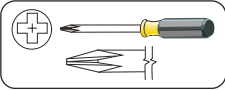
05



06



ATTENTION
Please remove the fine paper glued (Adhesived) on the velcro applied on the Tent. After this step, hold tight the Tent on both ends to fix on the crossbars on instructions.



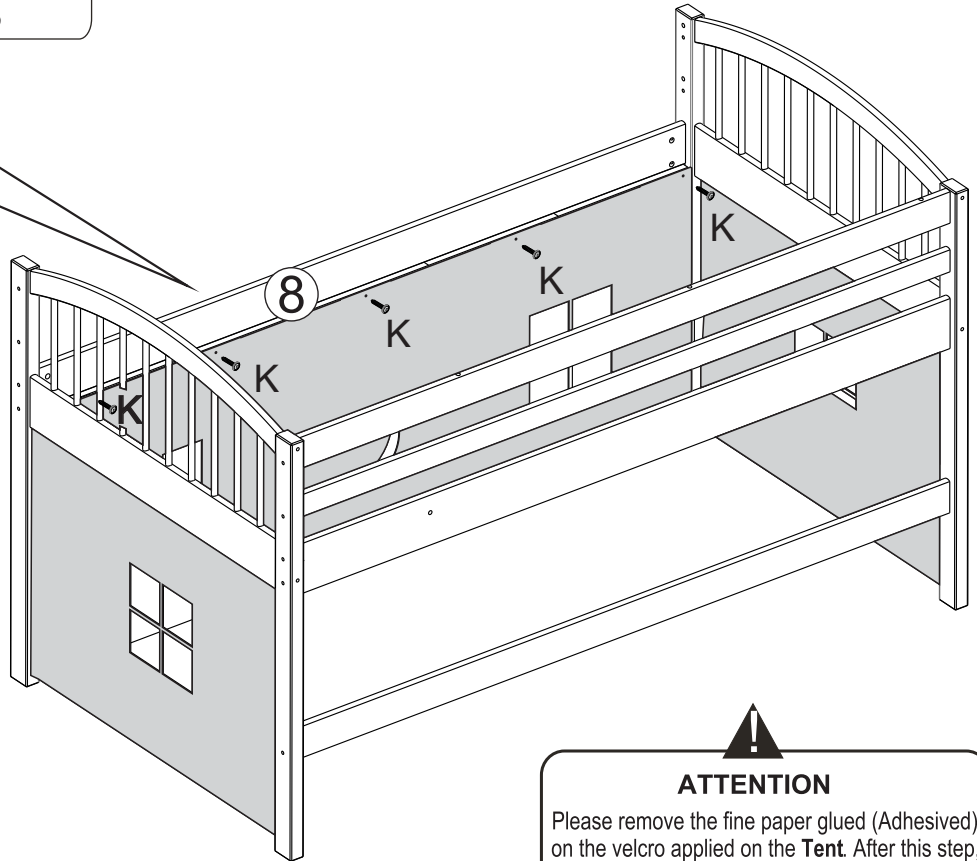
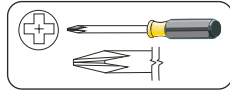
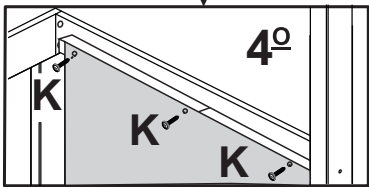
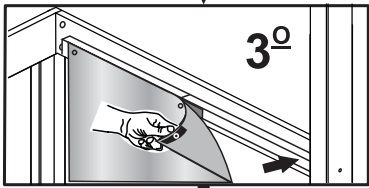
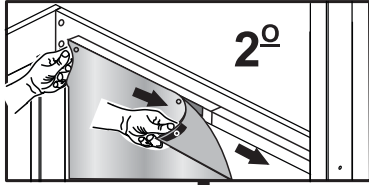
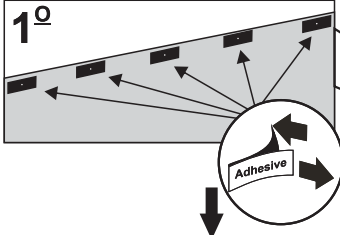
07

K



05

3,5 x 16 Flangeado



ATTENTION

Please remove the fine paper glued (Adhesived) on the velcro applied on the Tent. After this step, hold tight the Tent on front side rail like showing on instructions.

08

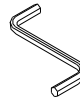
C



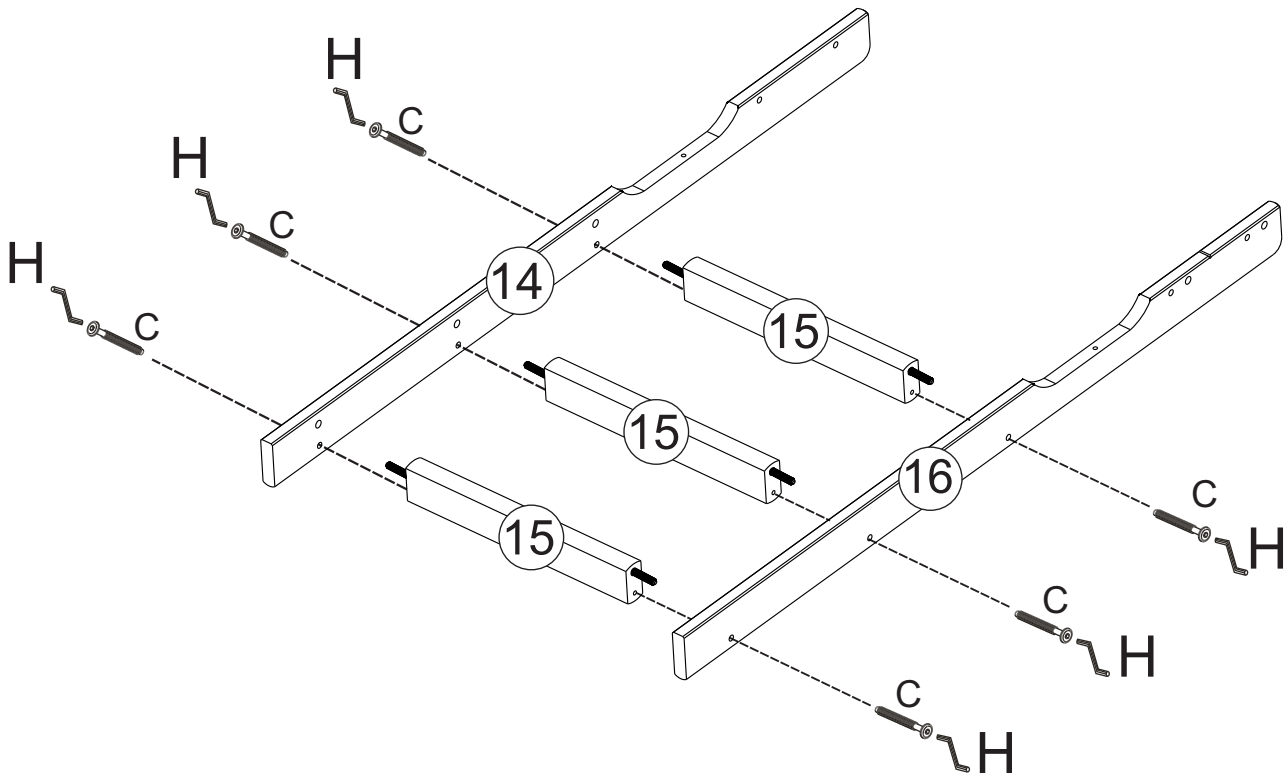
06

7 x 50 x 17mm


H

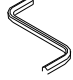


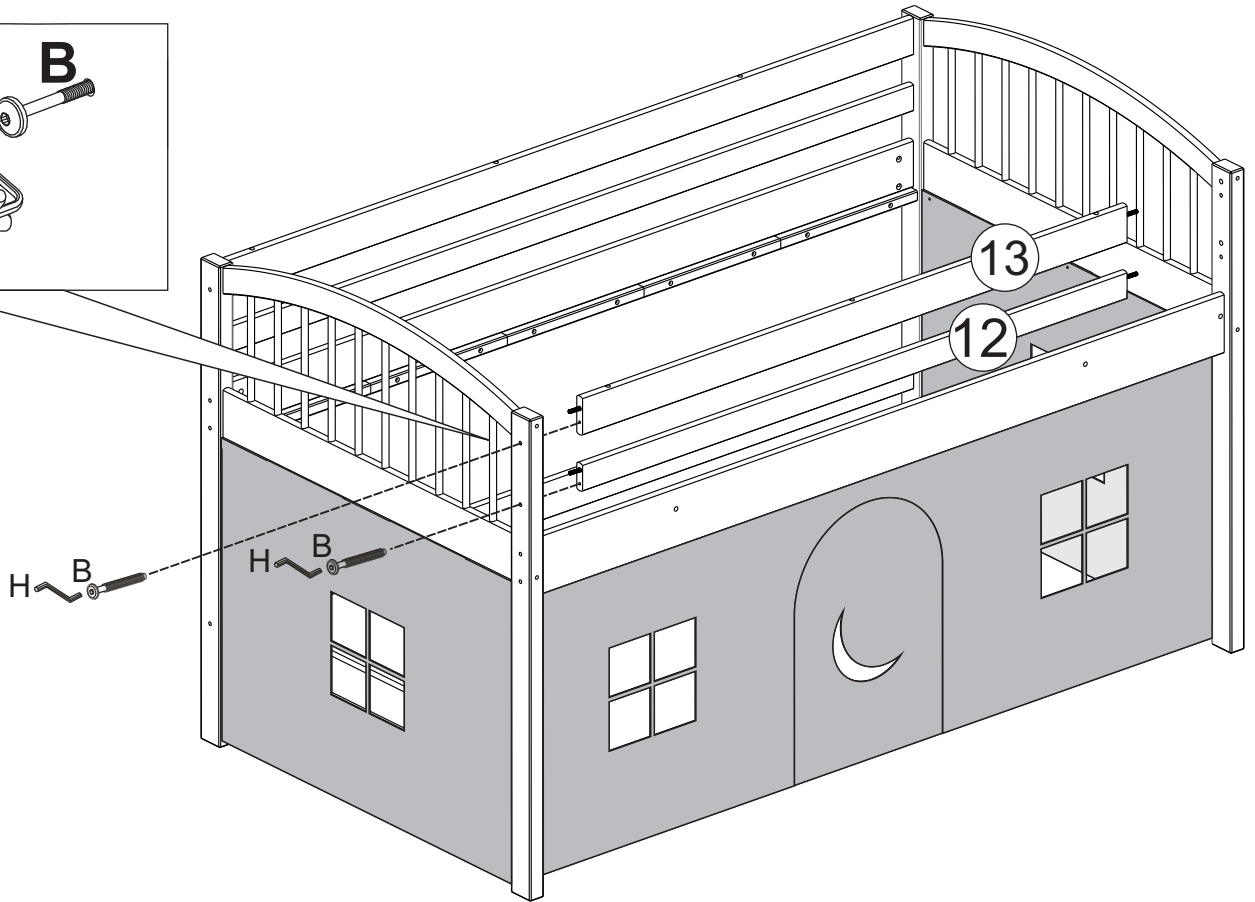
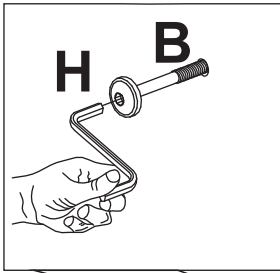
02




09

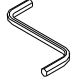
B  02
7 x 80 x 17mm

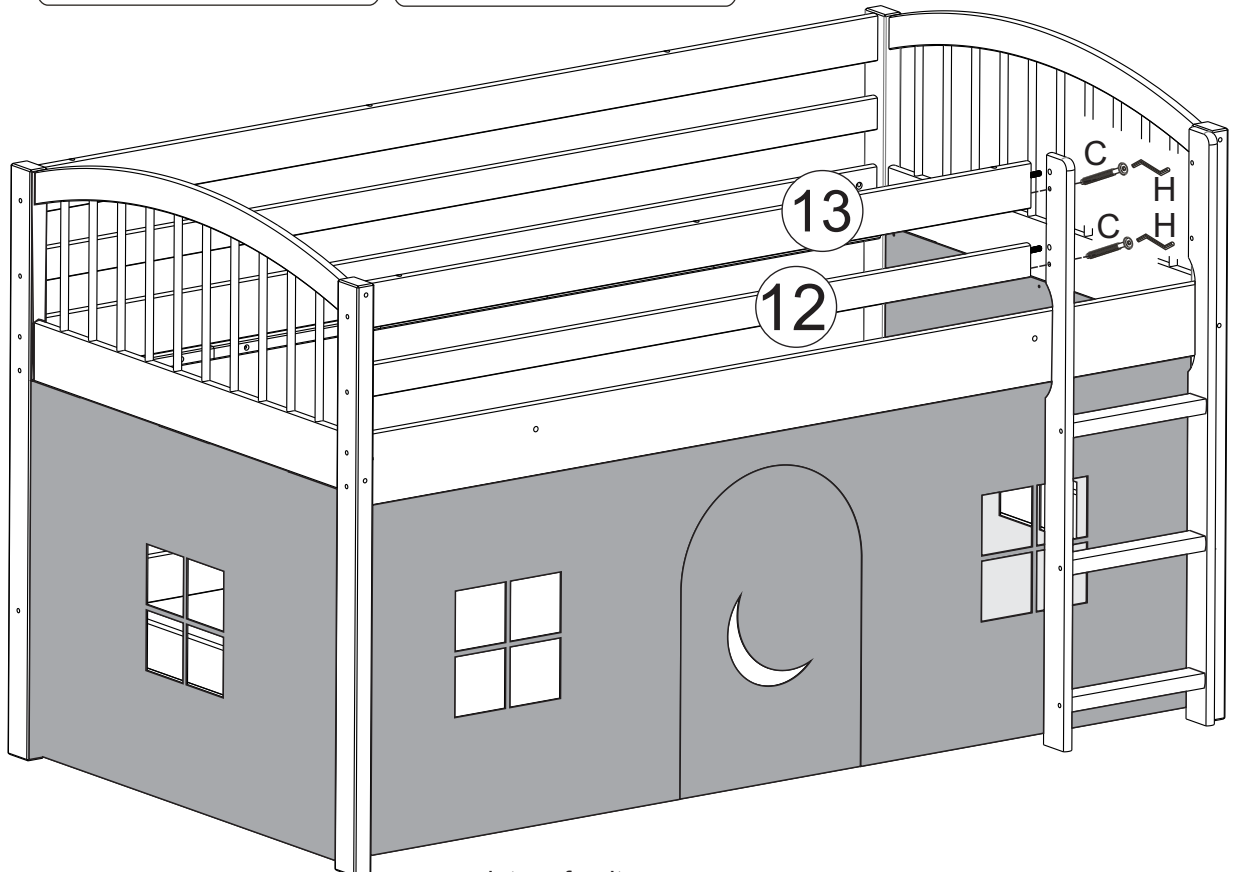
H  01




10

C  02
7 x 50 x 17mm

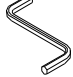
H  01

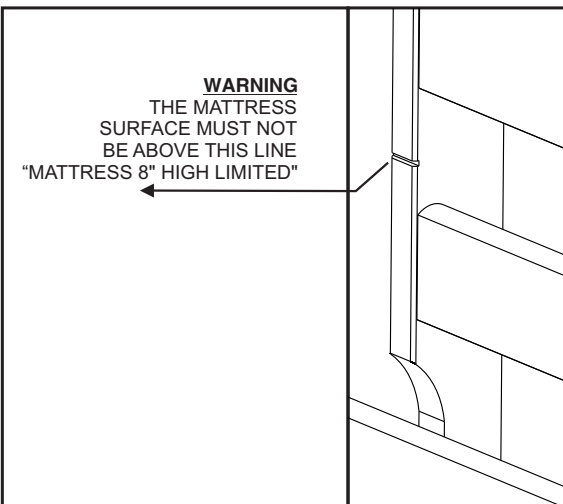
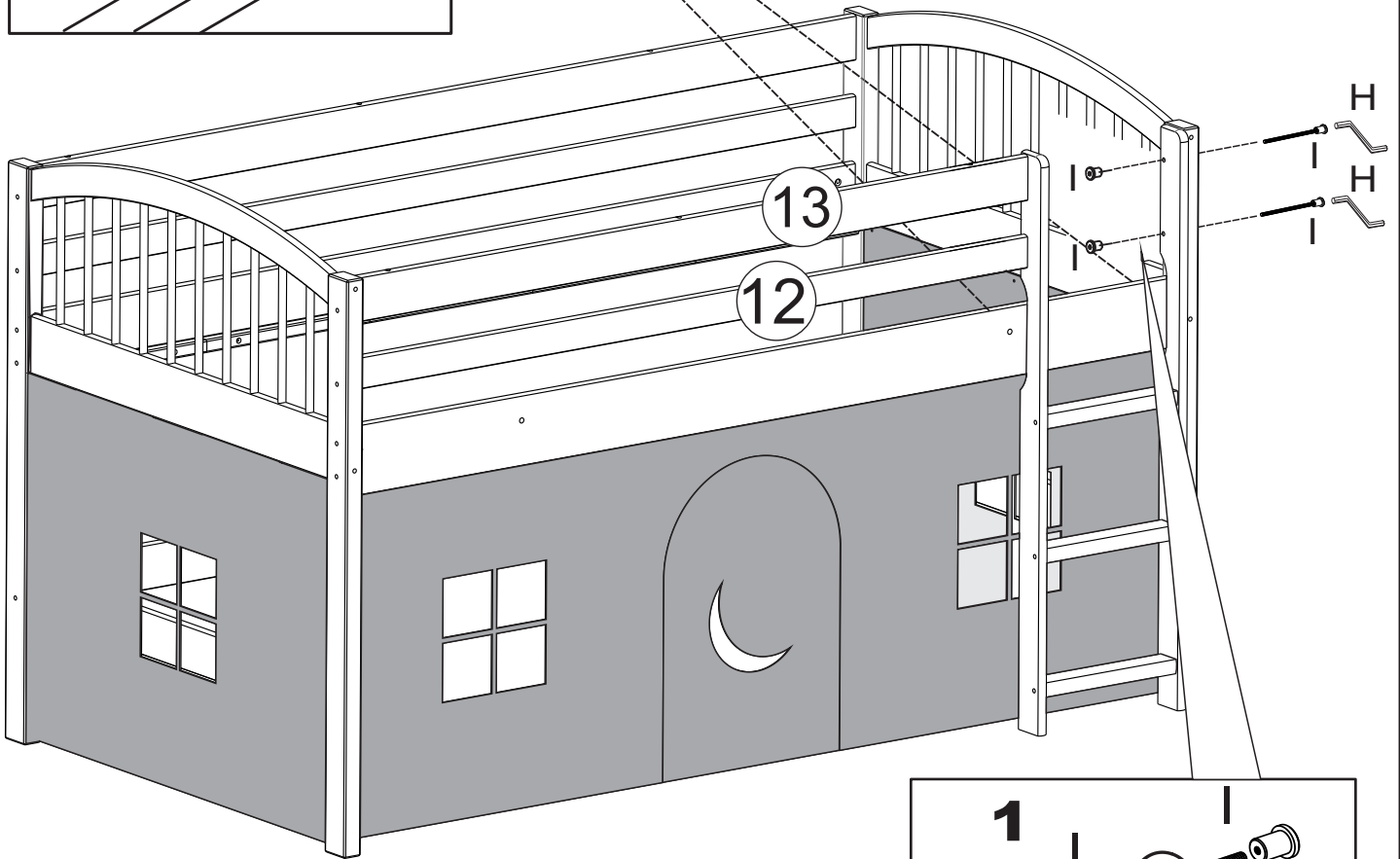
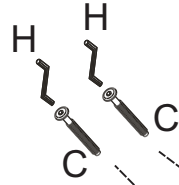
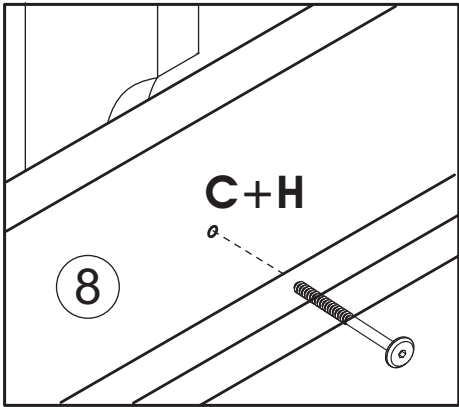


11

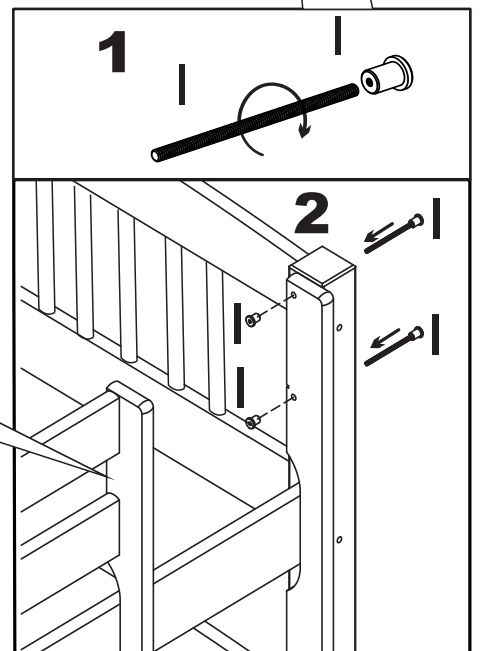
C  02
7 x 50 x 17mm

I  02
3/16

H  02



WARNING
THE MATTRESS
SURFACE MUST NOT
BE ABOVE THIS LINE
"MATTRESS 8" HIGH LIMITED"



12

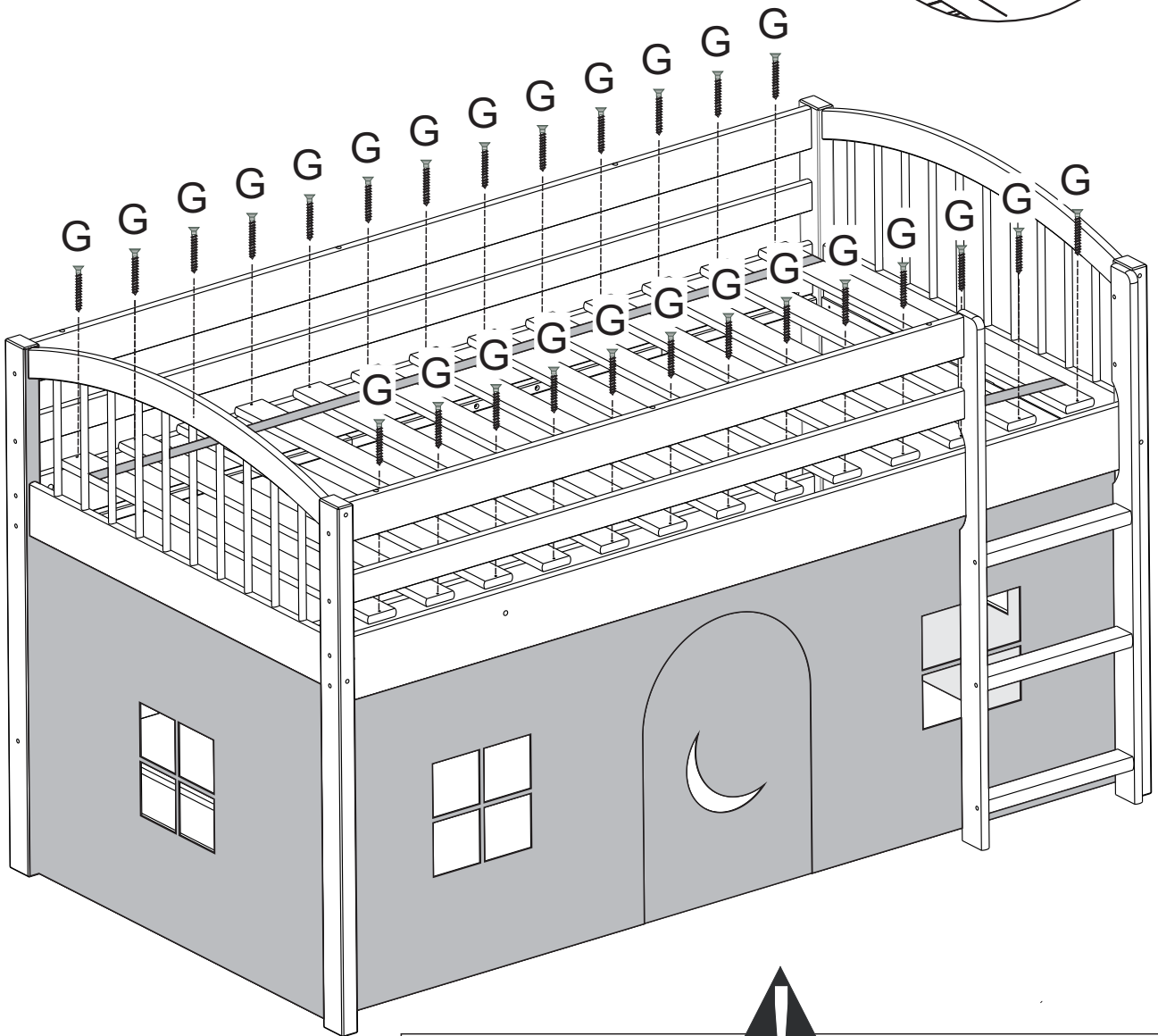
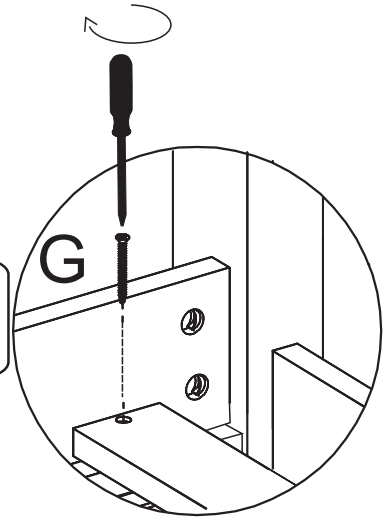
G



4,0 x 35

26

The first slat must be fixed here at 3" from each headboard end.



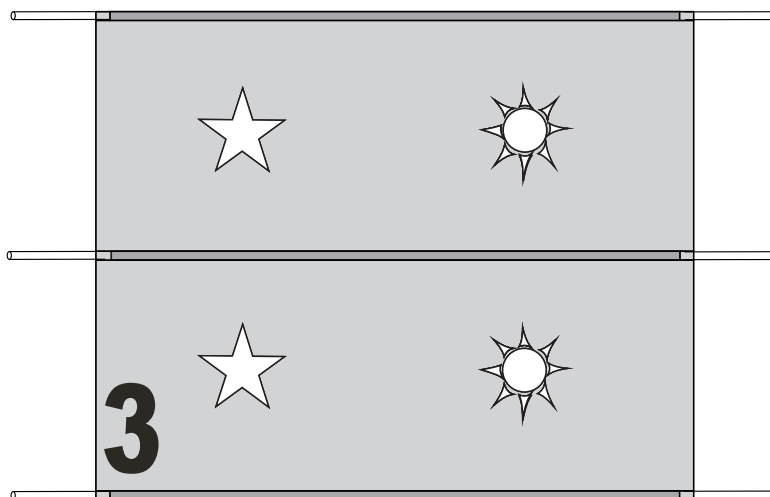
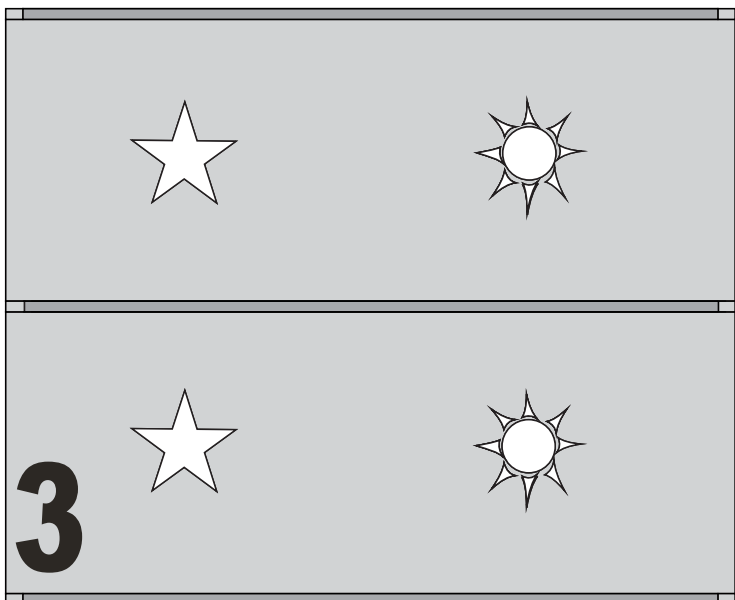
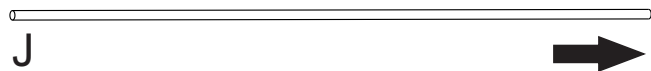
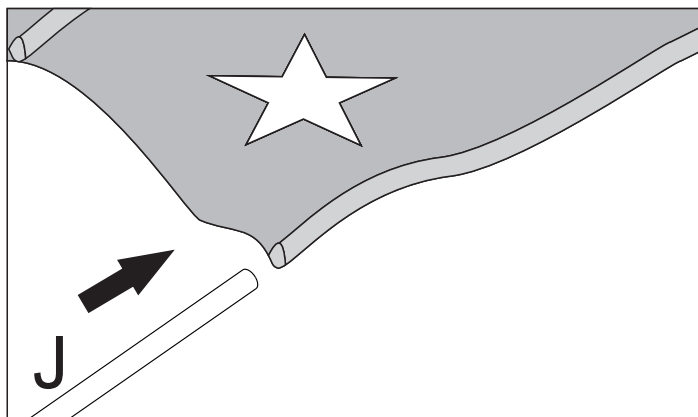
Install slat kit with spacer tape on top (Facing up).

13

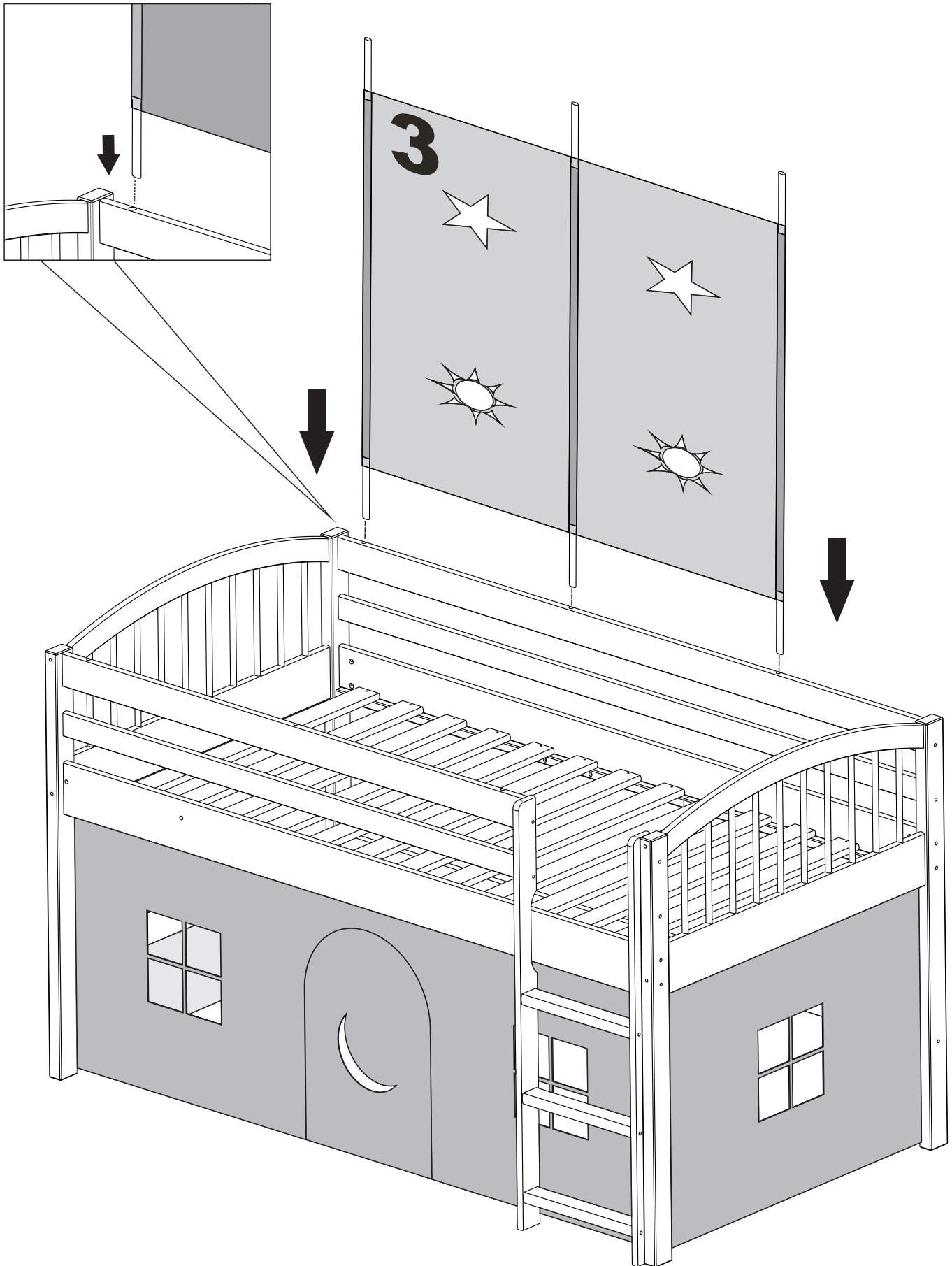
J



03



14



15

