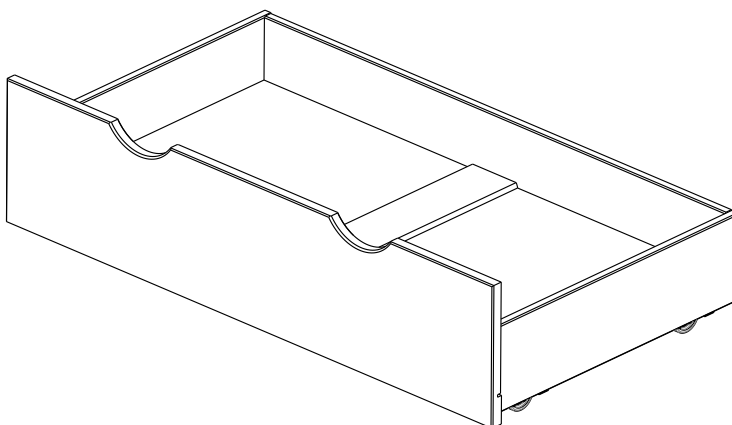
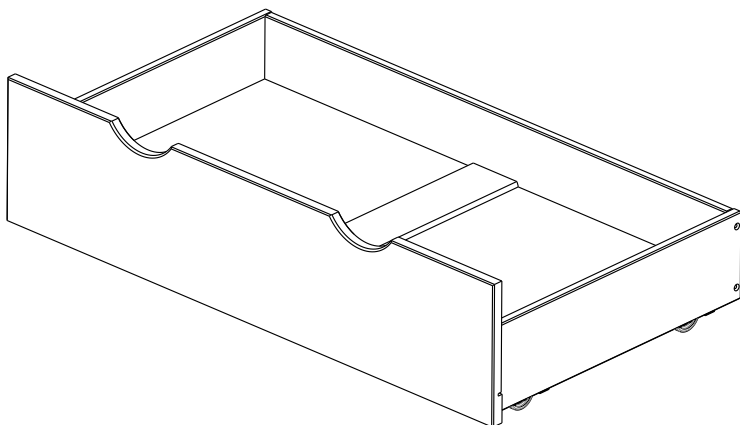


ASSEMBLY INSTRUCTIONS

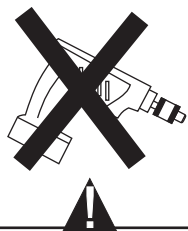
STORAGE DRAWERS

Set of 02 Drawers

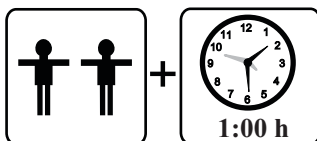


REPLACEMENT PARTS

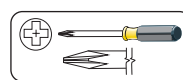
Please do not contact the company purchased from as we can help you faster.
Order replacement parts and hardware at "alaterrefurniture.com"



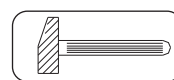
* Use of power tool to assemble this product will invalidate any claim and damage this product making it unsafe !!!
* Please assemble on a clean soft surface to avoid damage.



Tools Required



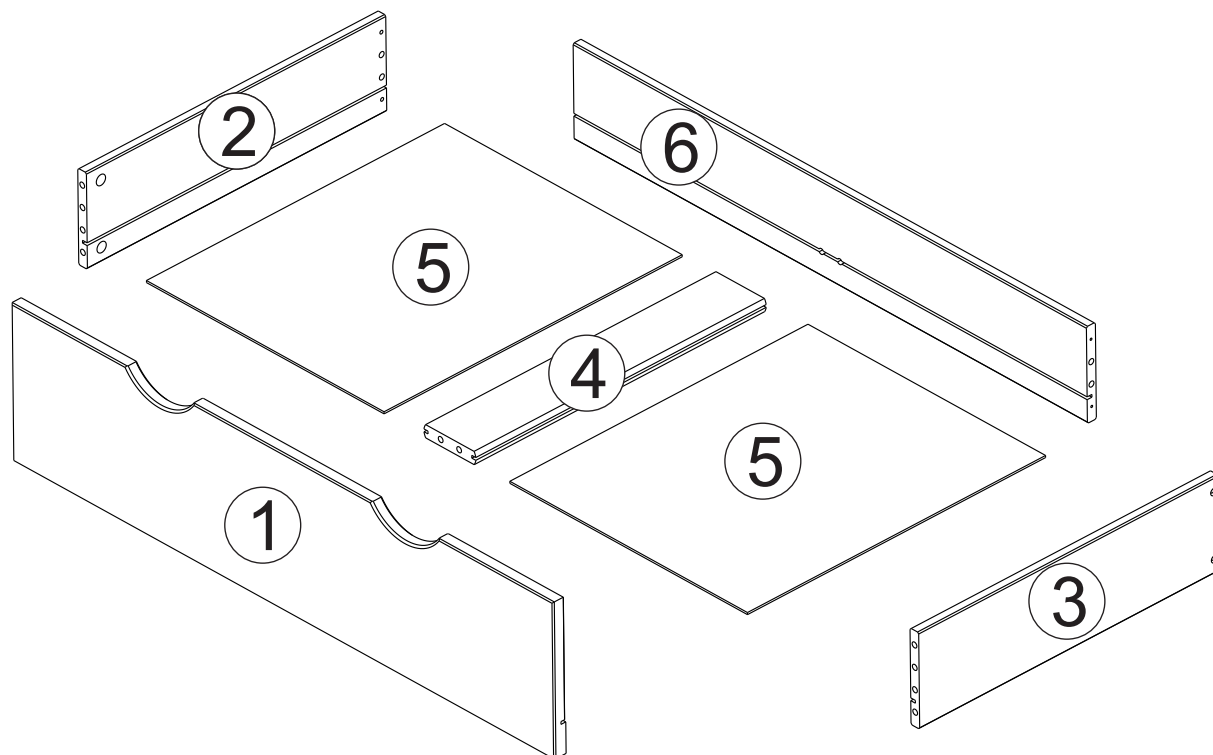
(Not included)



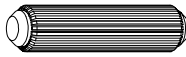
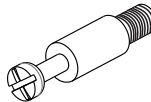
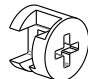
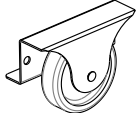
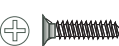

(Not included)

Part List - Storage Drawers - Set of 02 Drawers

x2



Identifying the Hardware-Identify the hardware using the illustrations below.

A  24 8X35	B  08	C  08
D  08	E  32 3,5 x 12	F  08 4,0 x 35

01

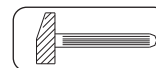
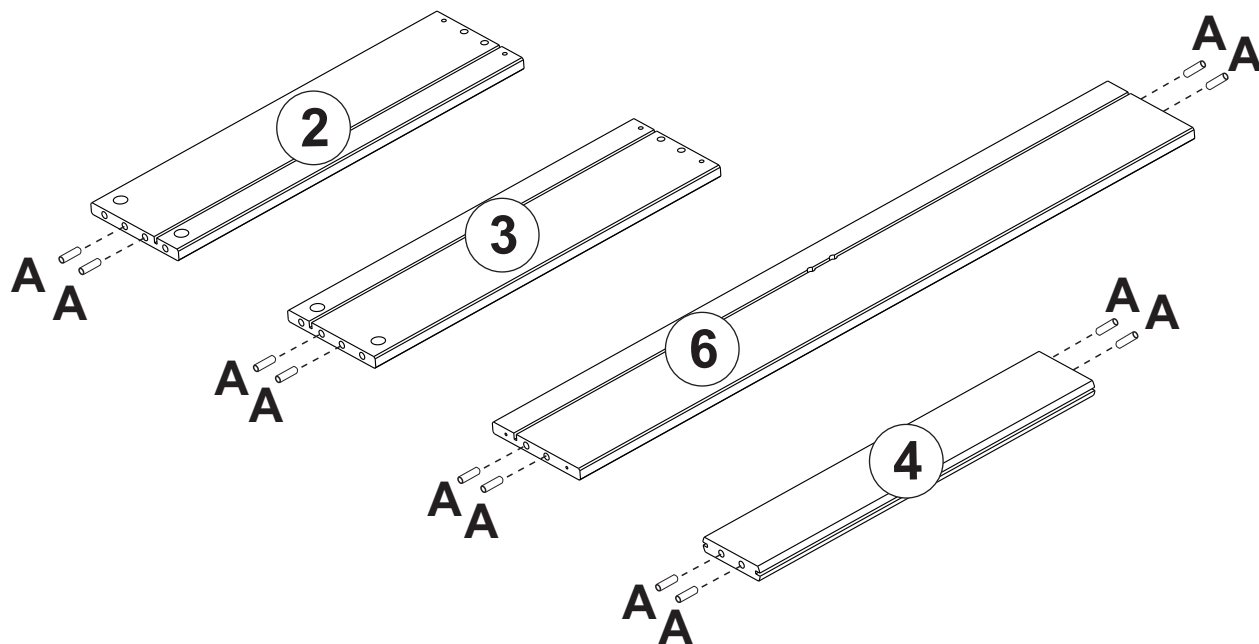
A



8X35

24

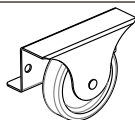
x2



(Not included)

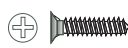
02

D



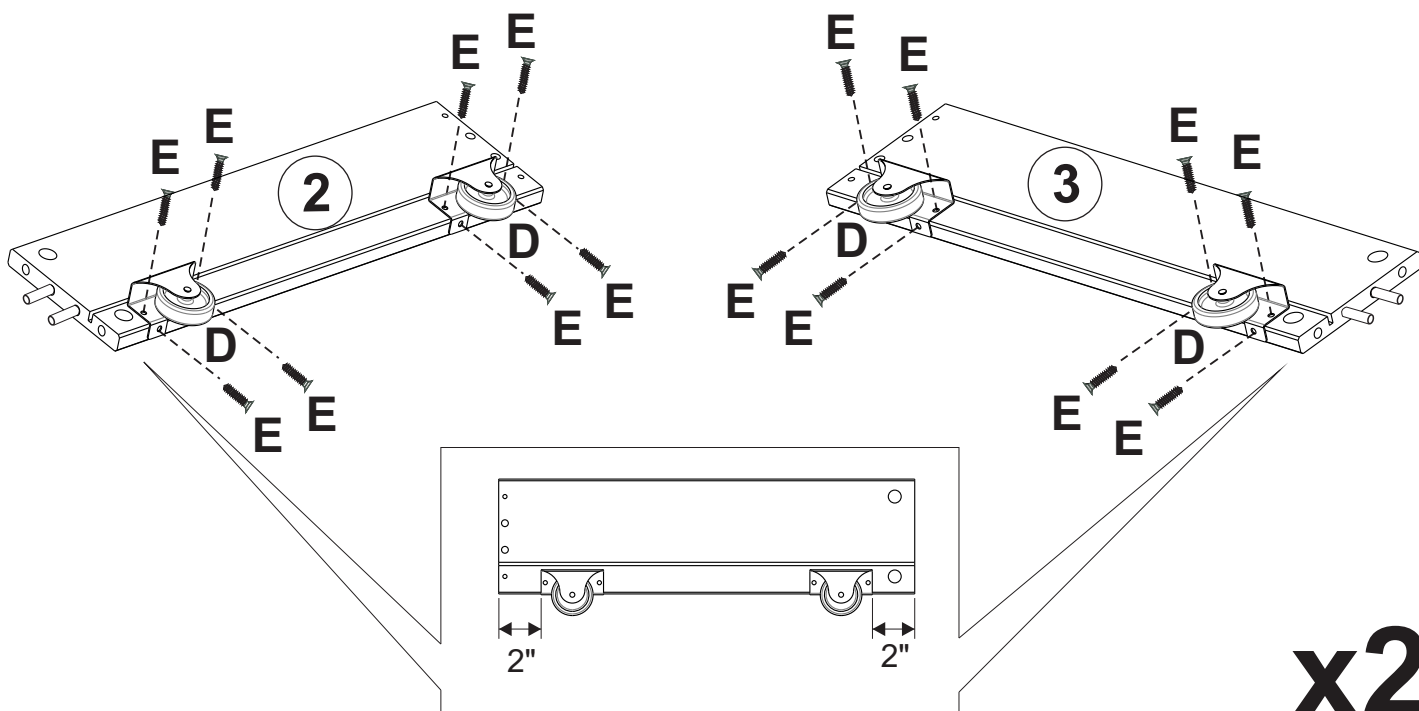
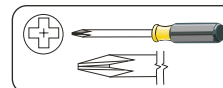
08

E



3,5 x 12

32



x2

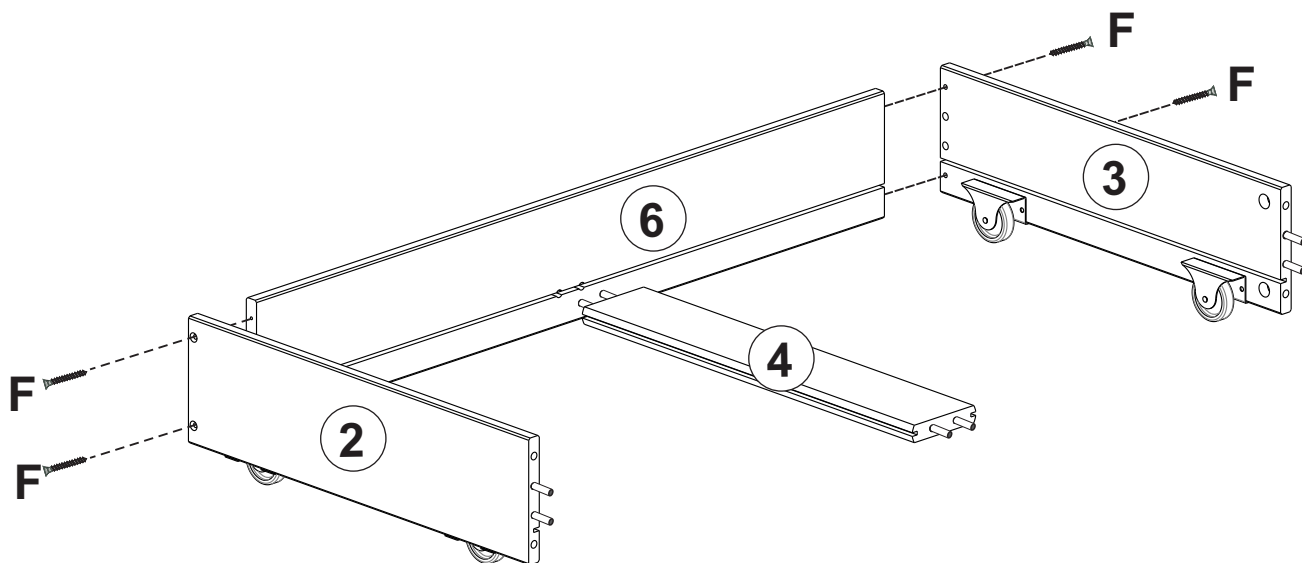
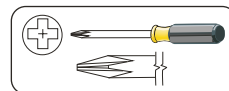
03

F



4,0 x 35

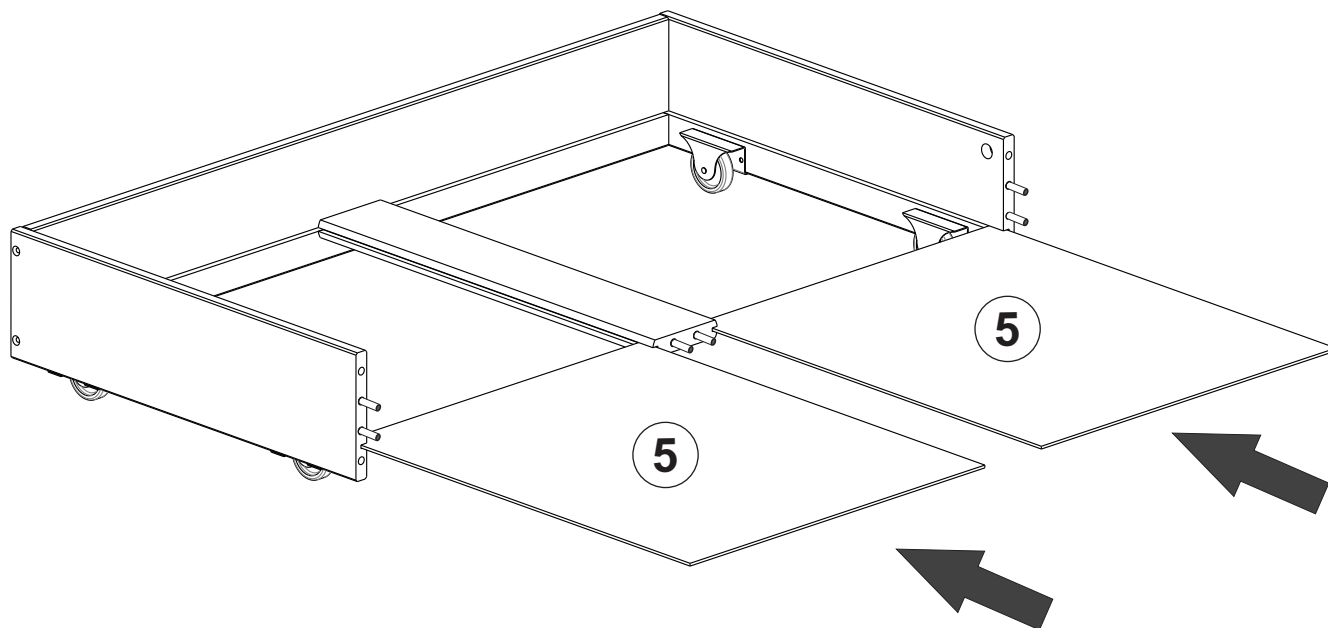
08



x2

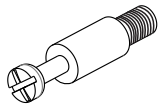
04

x2



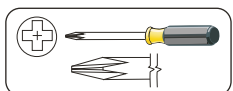
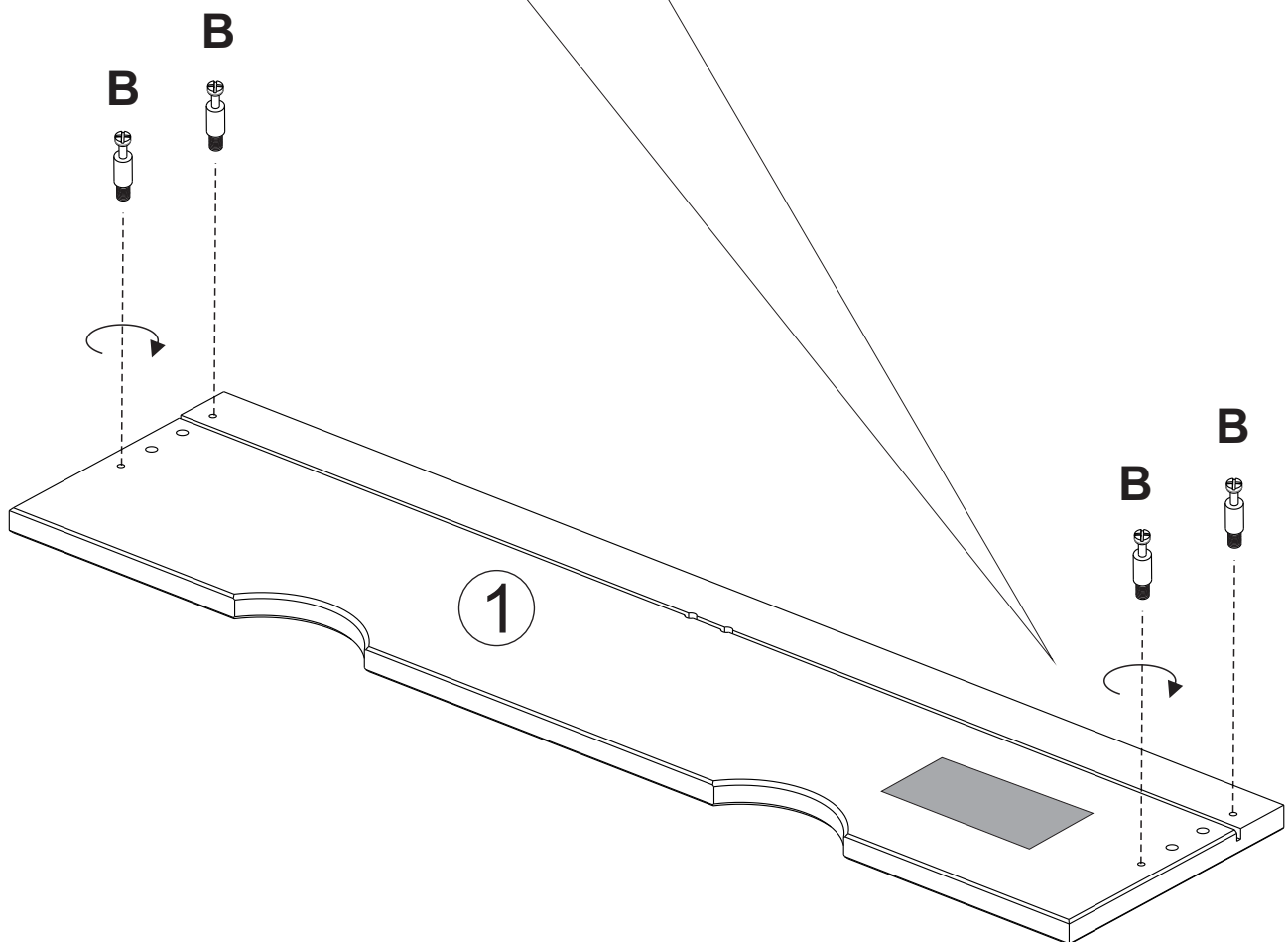
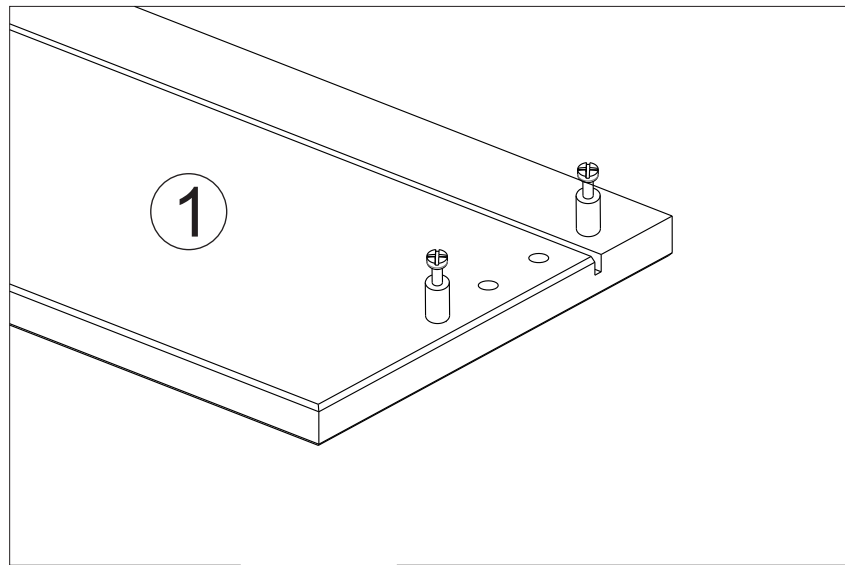
05

B



08

x2

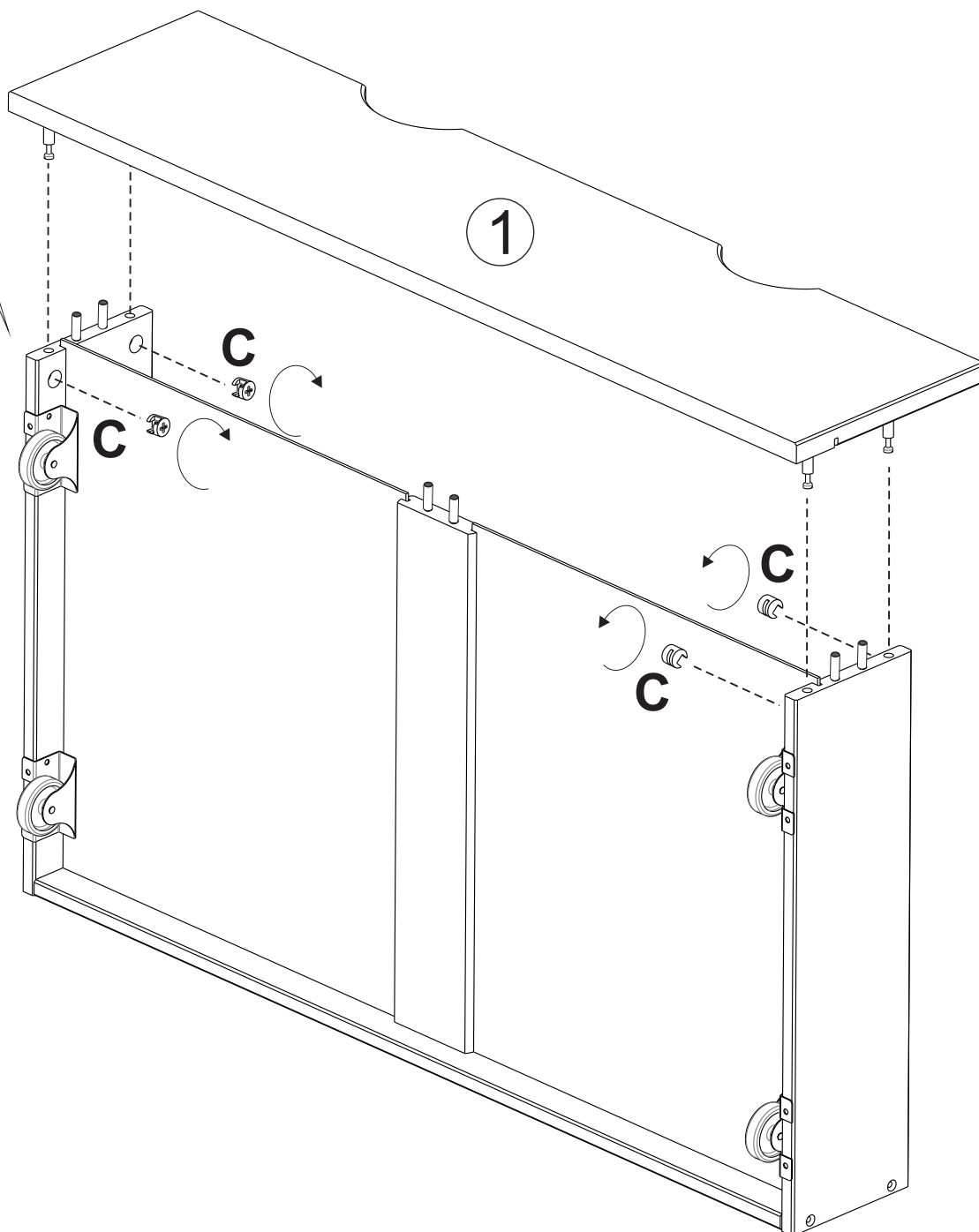
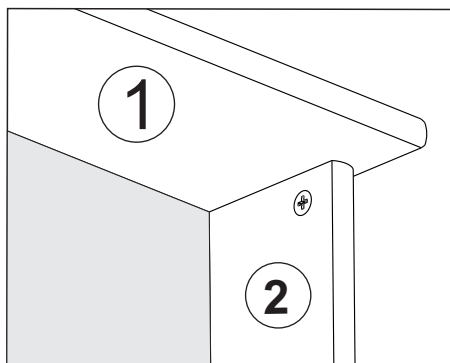
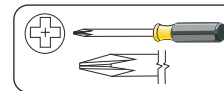
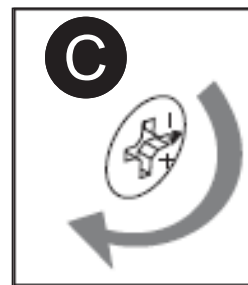
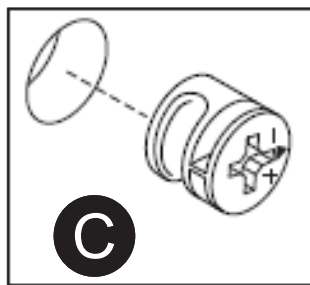


06

C



08



x2