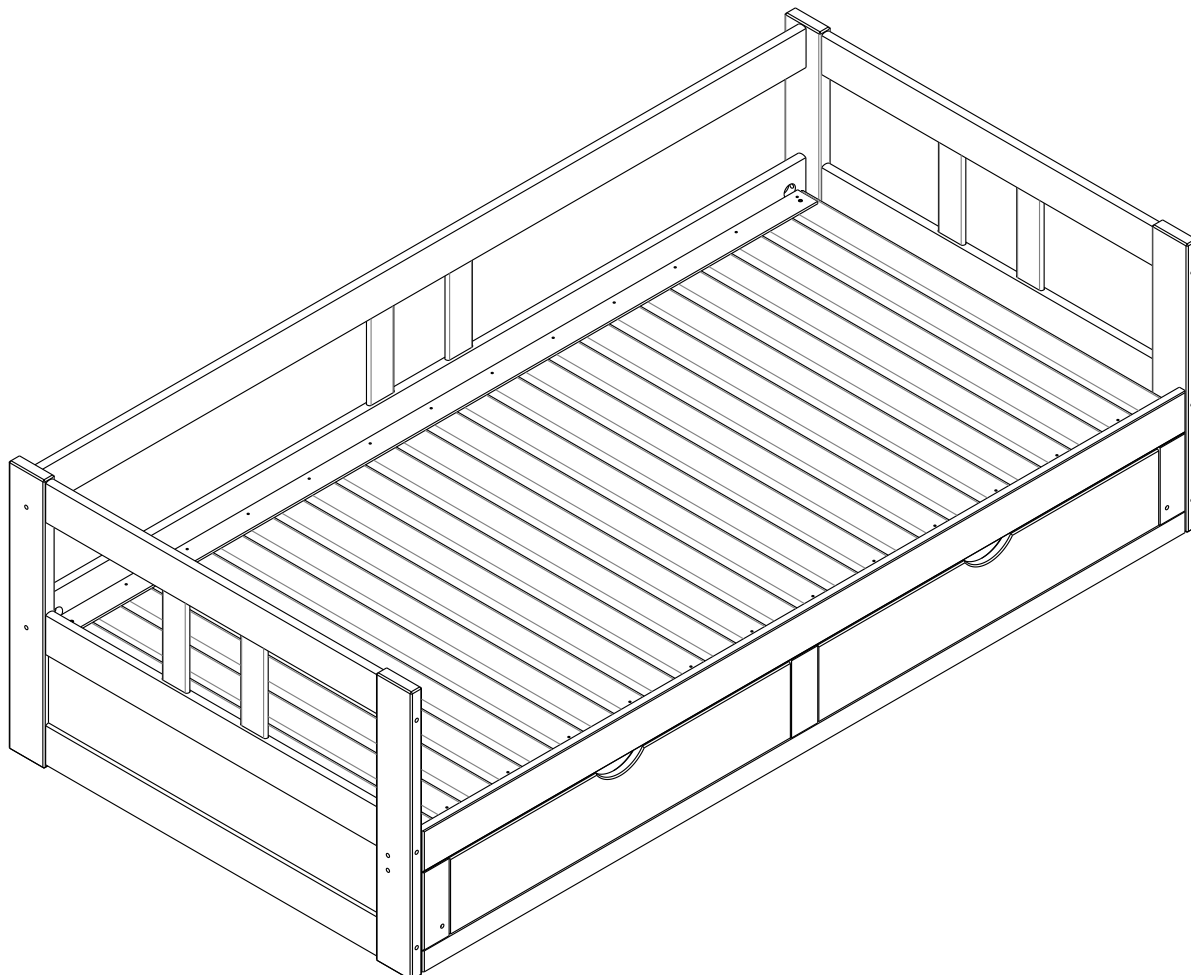


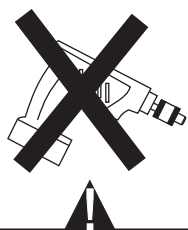
# ASSEMBLY INSTRUCTIONS

## MELODY DAY BED

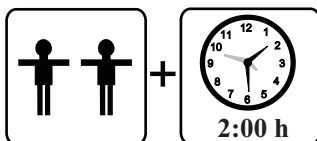


### REPLACEMENT PARTS

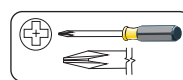
Please do not contact the company purchased from as we can help you faster.  
Order replacement parts and hardware at "[alaterrefurniture.com](http://alaterrefurniture.com)"



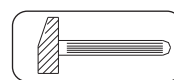
\* Use of power tool to assemble this product will invalidate any claim and damage this product making it unsafe !!!  
\* Please assemble on a clean soft surface to avoid damage.



### Tools Required

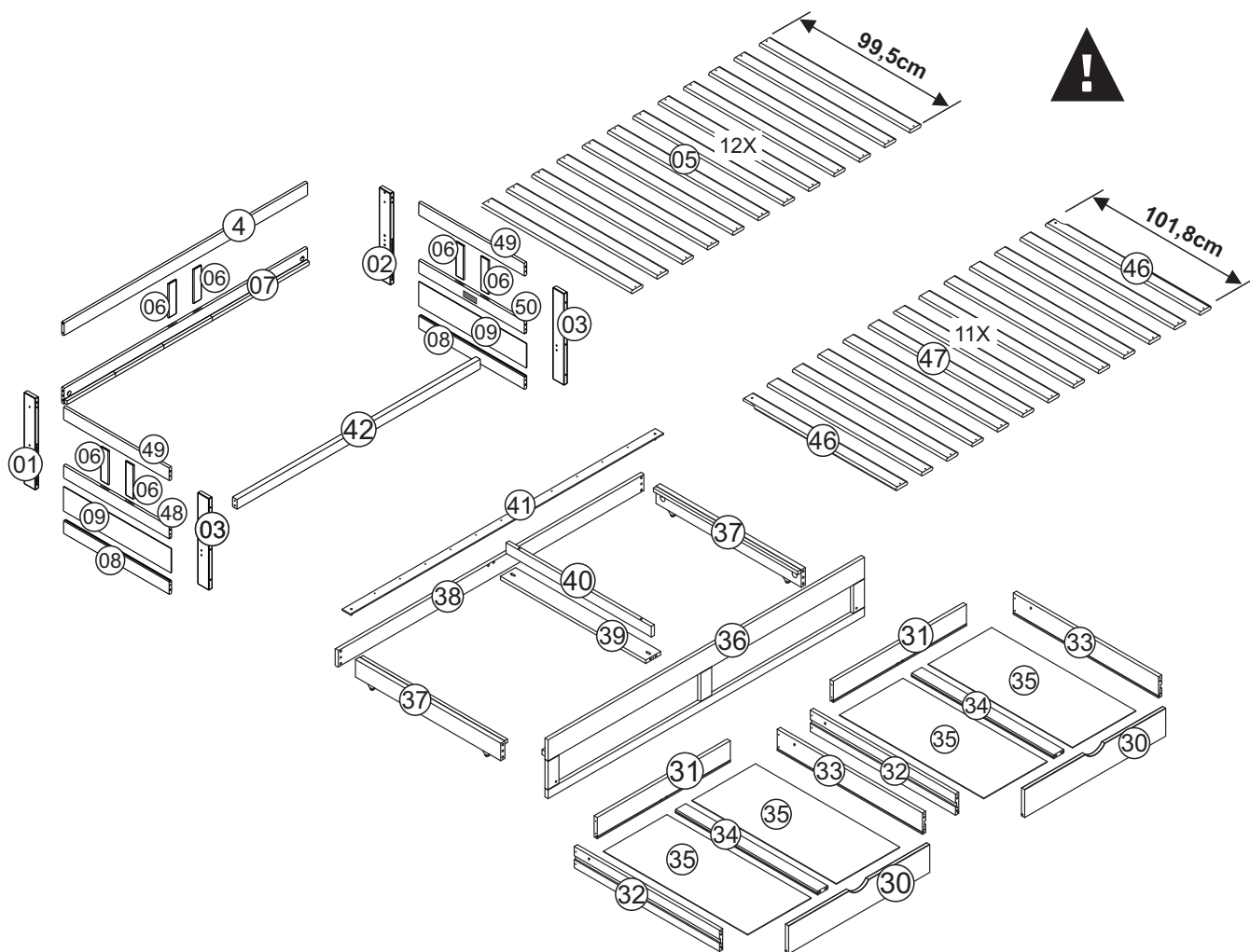


(Not included)

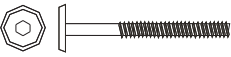

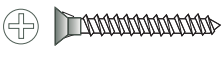



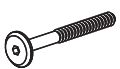
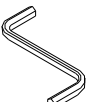



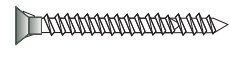
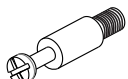
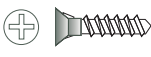

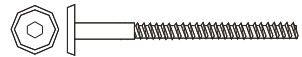




(Not included)

# Part List - Melody Day Bed

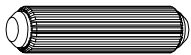


**Identifying the Hardware**-Identify the hardware using the illustrations below.

<b>A</b>  <b>08</b> 1/4 x 70 x 17mm	<b>B</b>  <b>06</b>	<b>C</b>  <b>47</b> 4,0 x 35
<b>D</b>  <b>04</b> RD 20	<b>E</b>  <b>18</b> 10X50	<b>F</b>  <b>16</b> 10X40
<b>G</b>  <b>04</b> 7 x 70 x 17mm	<b>H</b>  <b>02</b>	<b>I</b>  <b>02</b> 8,2cm
<b>K</b>  <b>02</b> 1/4	<b>L</b>  <b>16</b> 8X35	<b>M</b>  <b>02</b> 4,5 x 60
<b>N</b>  <b>08</b>	<b>O</b>  <b>21</b> 4,0 x 20	<b>P</b>  <b>02</b> 6,0 x 45
<b>Q</b>  <b>12</b> 7,0 x 120 X 17	<b>R</b>  <b>02</b>	<b>S</b>  <b>08</b>

# 01

E



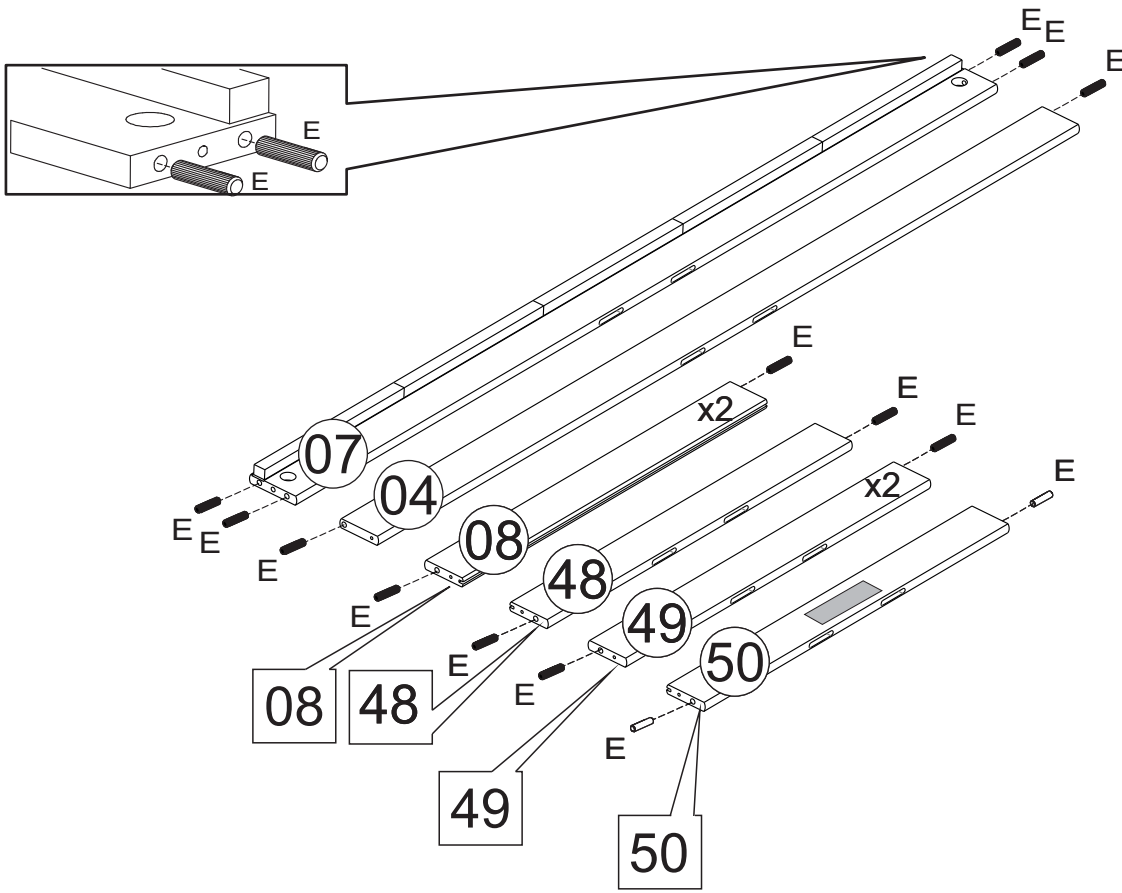
10X50

18

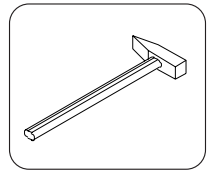
R



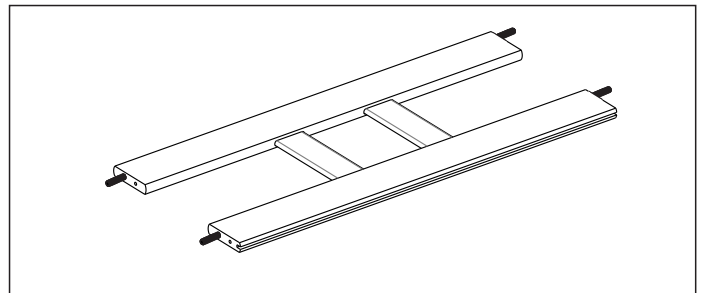
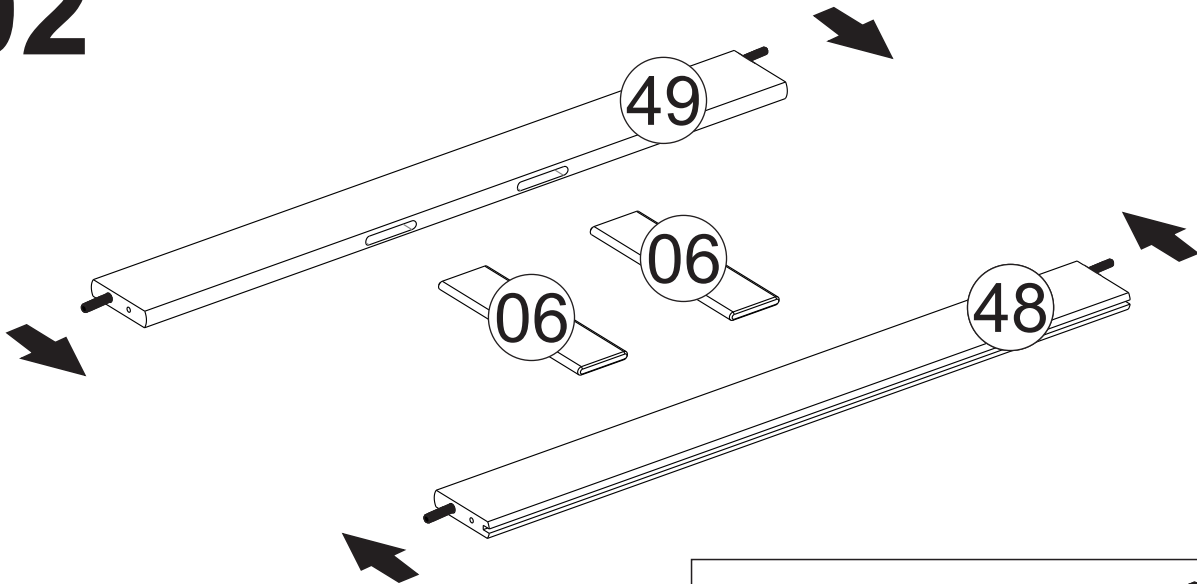
01



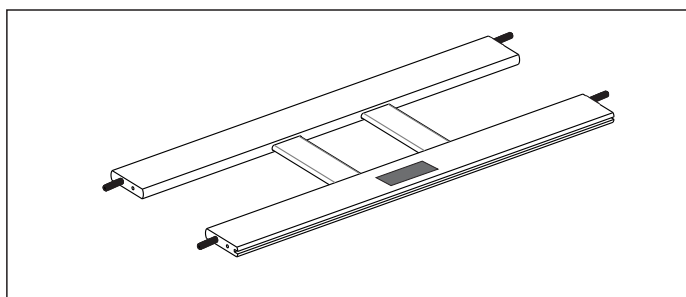
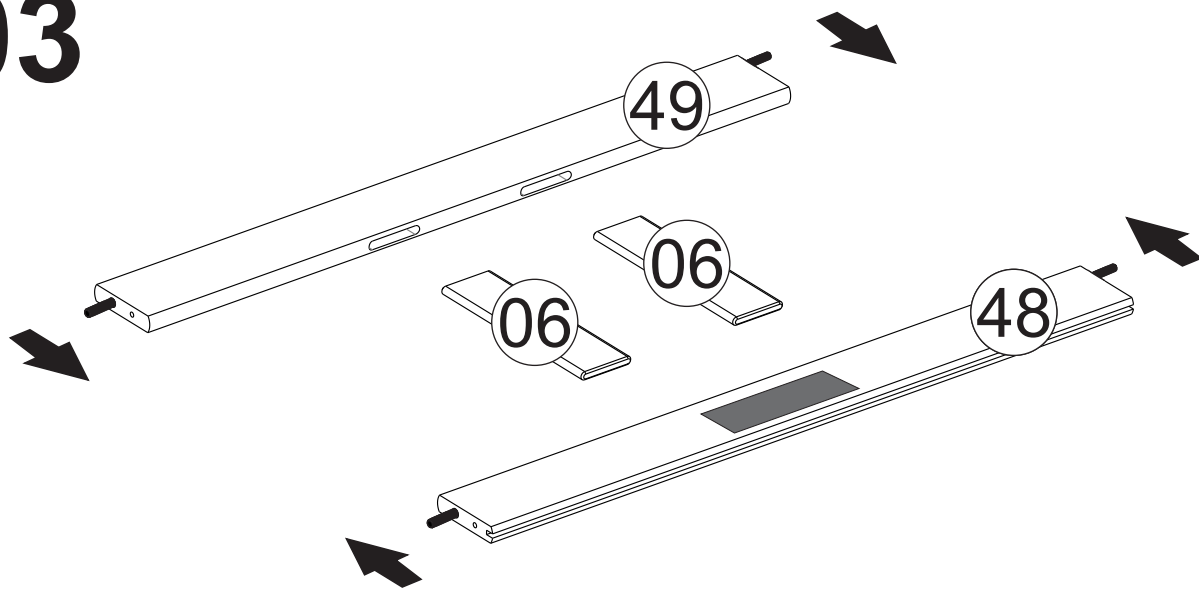
! "irreversible operation"



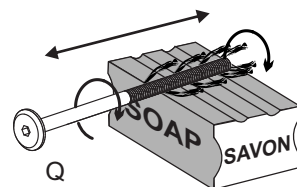
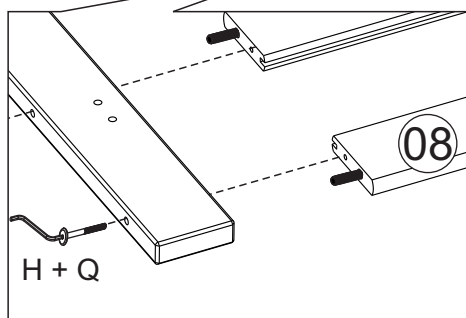
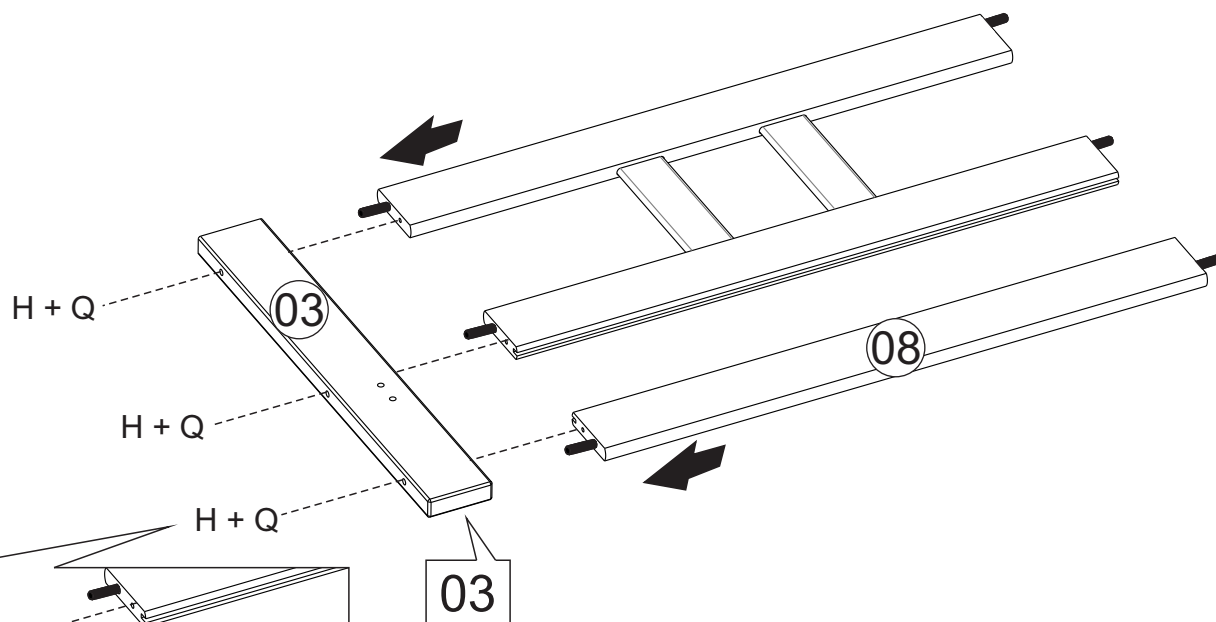
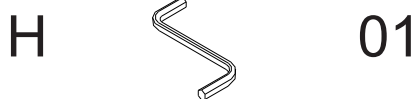
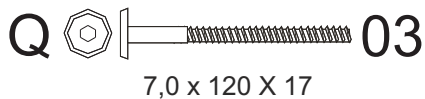
# 02



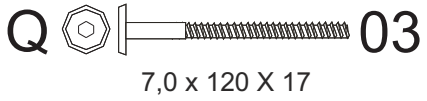
# 03



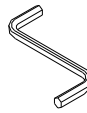
# 04



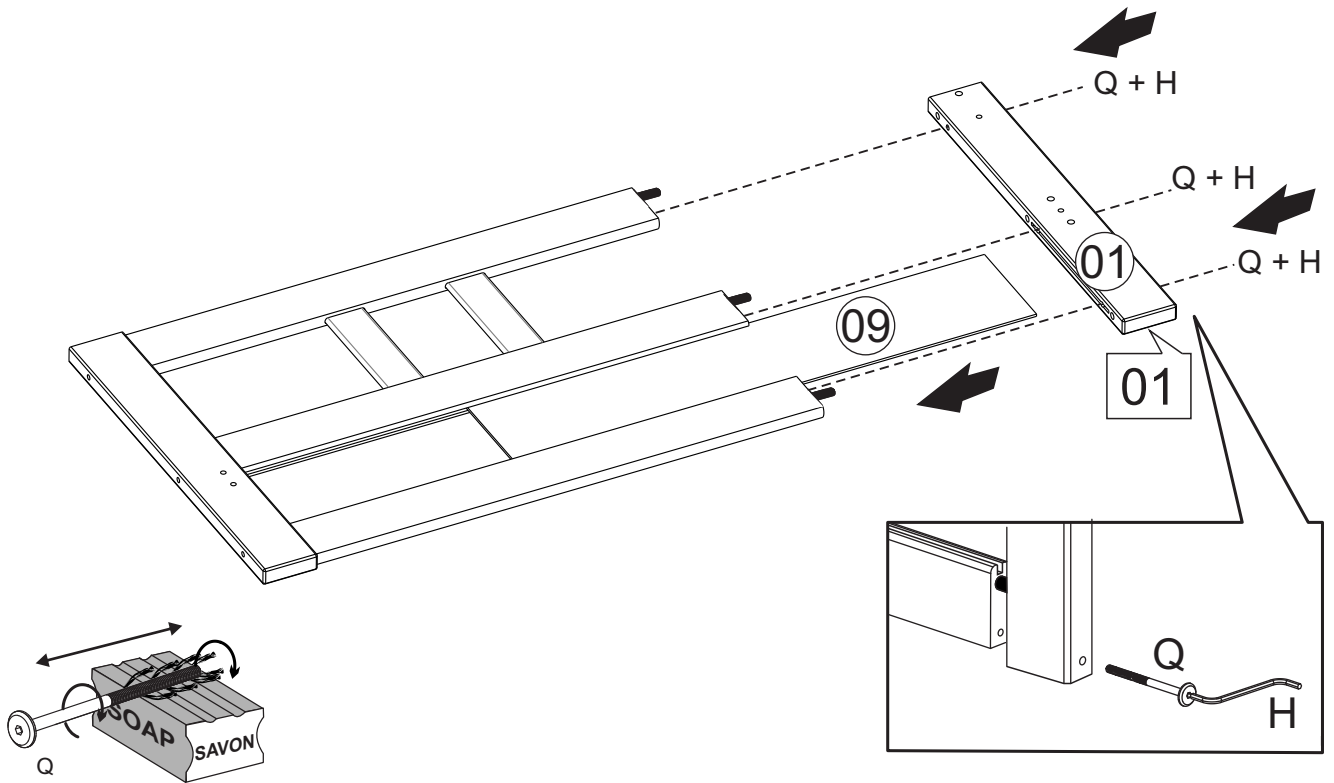
# 05



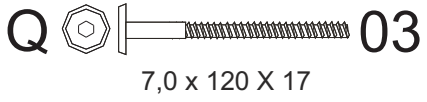
# H



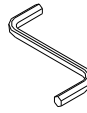
# 01



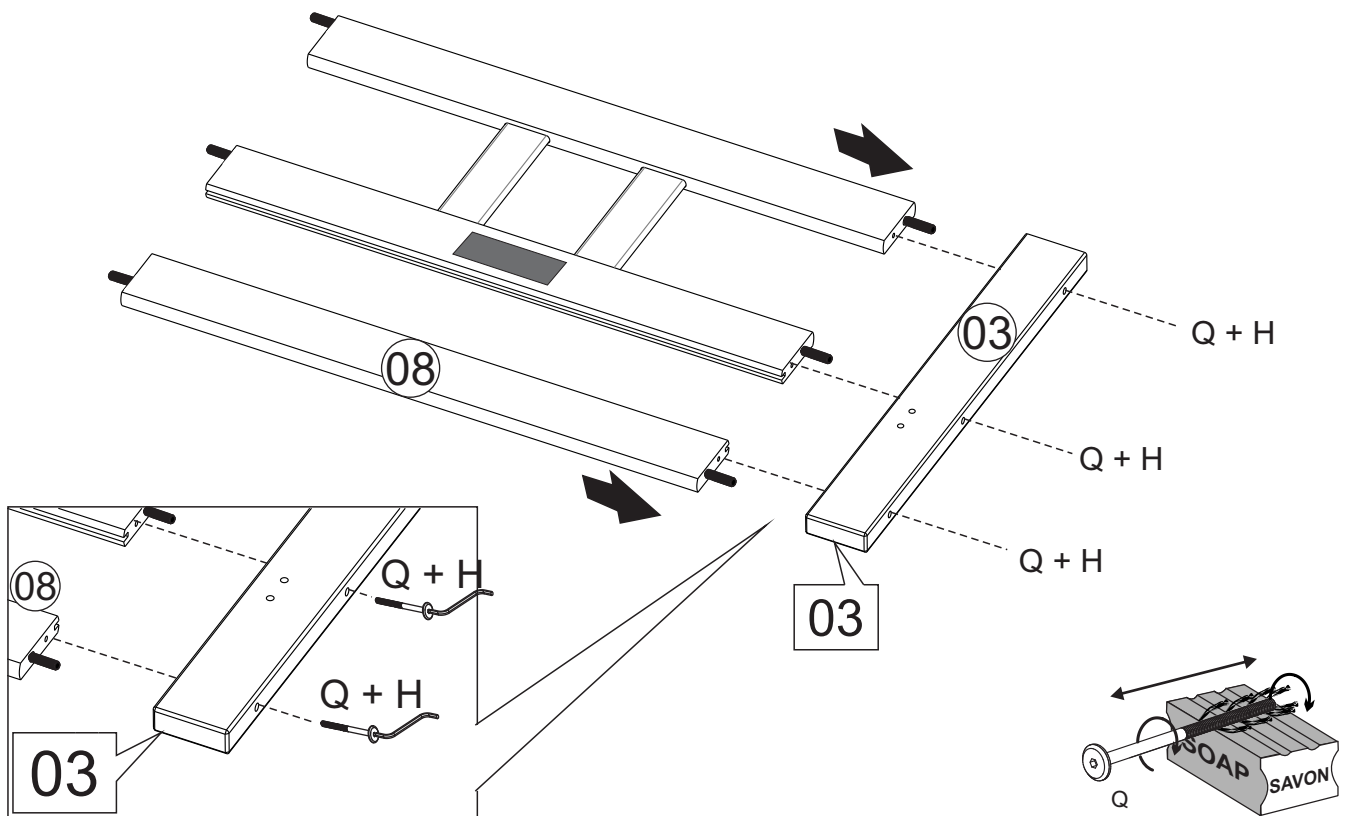
# 06



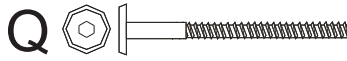
# H

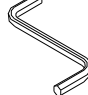


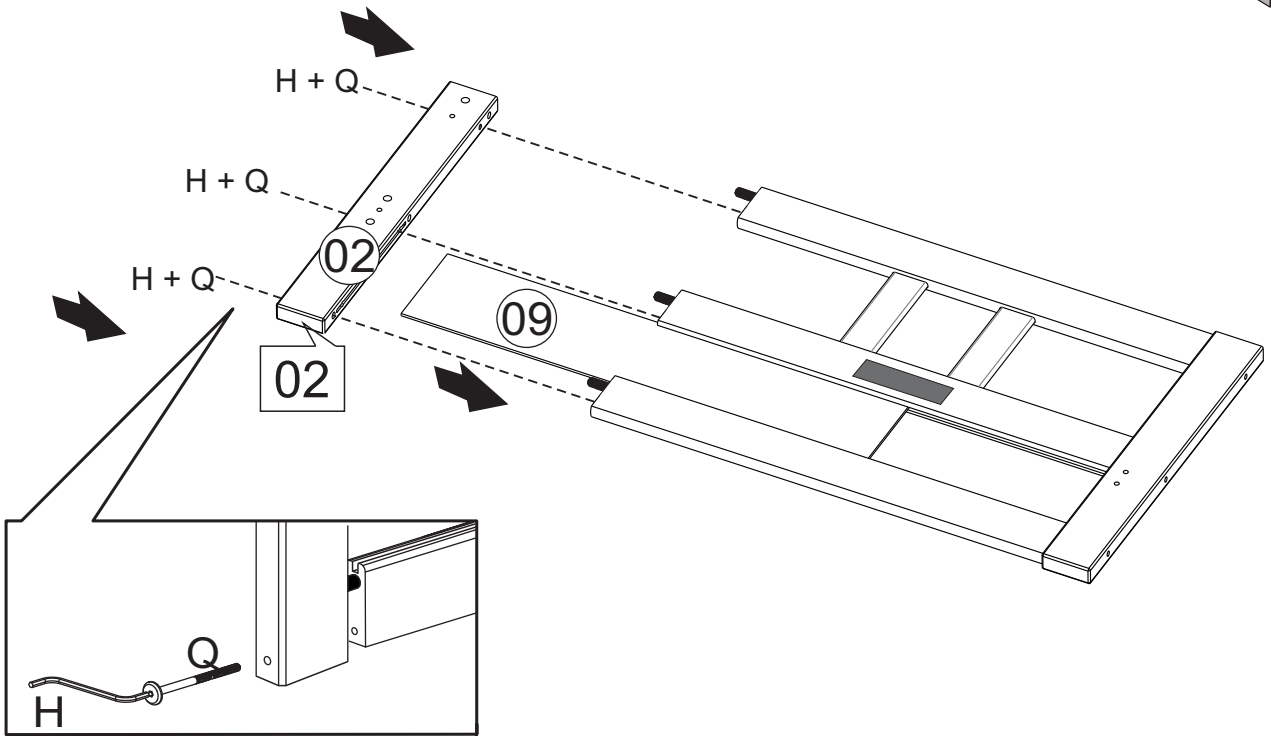
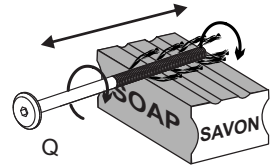
# 01



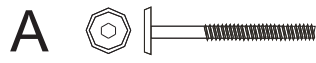
# 07

Q  03  
7,0 x 120 X 17

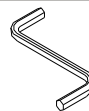
H  01

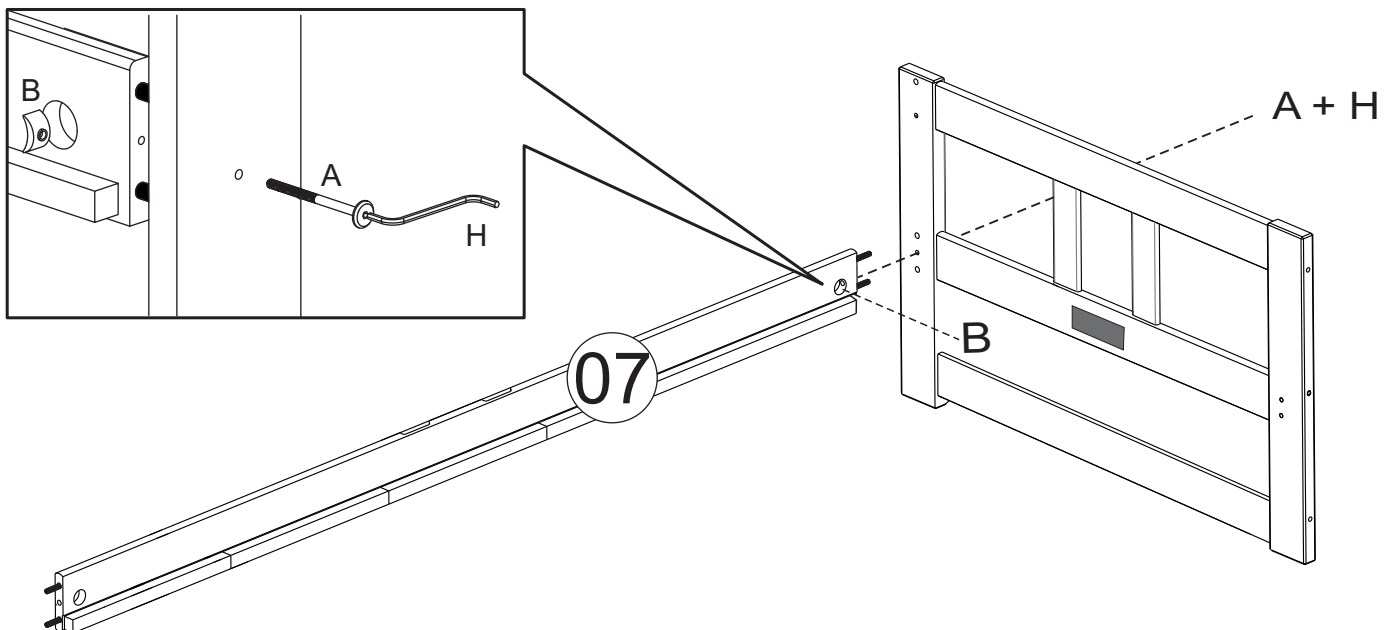


# 08

A  01  
1/4 x 70 x 17mm

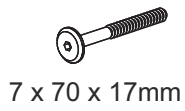
B  01

H  01



# 09

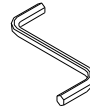
G



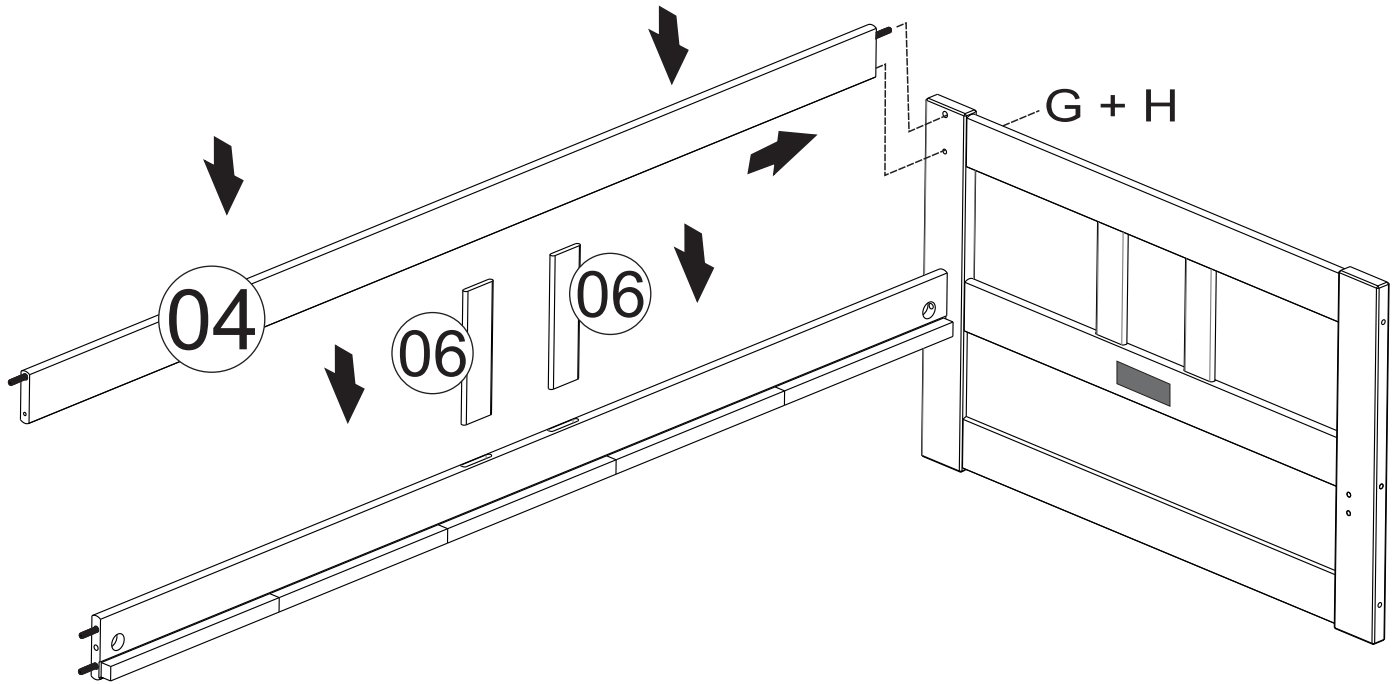
7 x 70 x 17mm

01

H

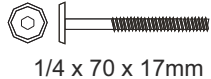


01



# 10

A



1/4 x 70 x 17mm

03

B



03

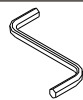
G



7 x 70 x 17mm

03

H



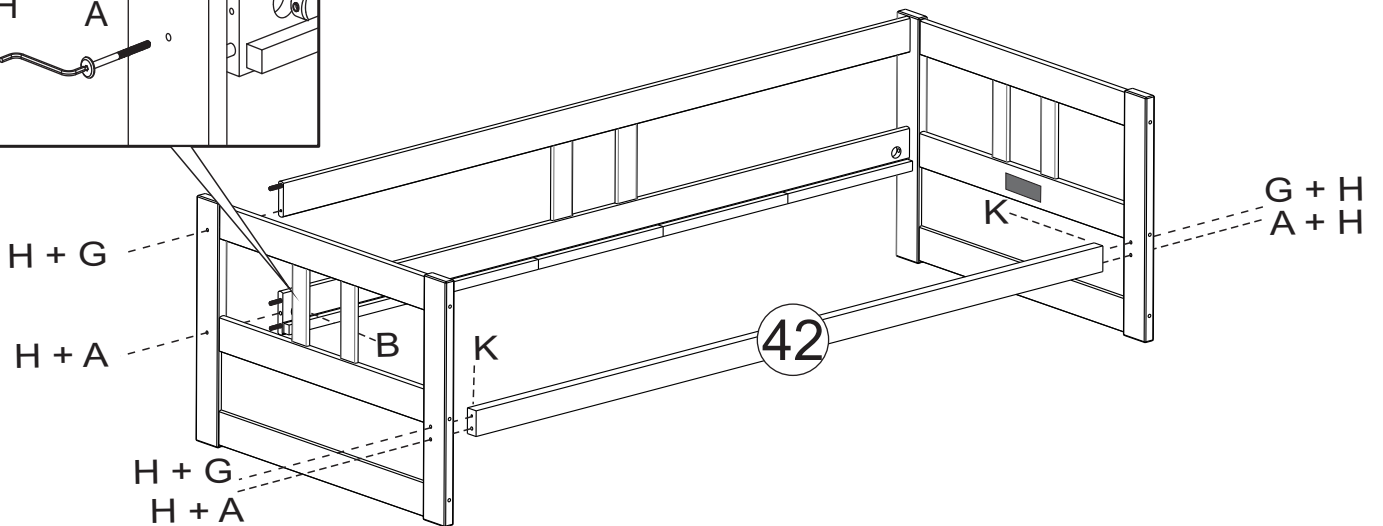
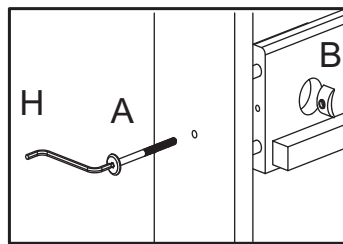
01

K



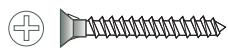
1/4

02



# 11

C



4,0 x 35

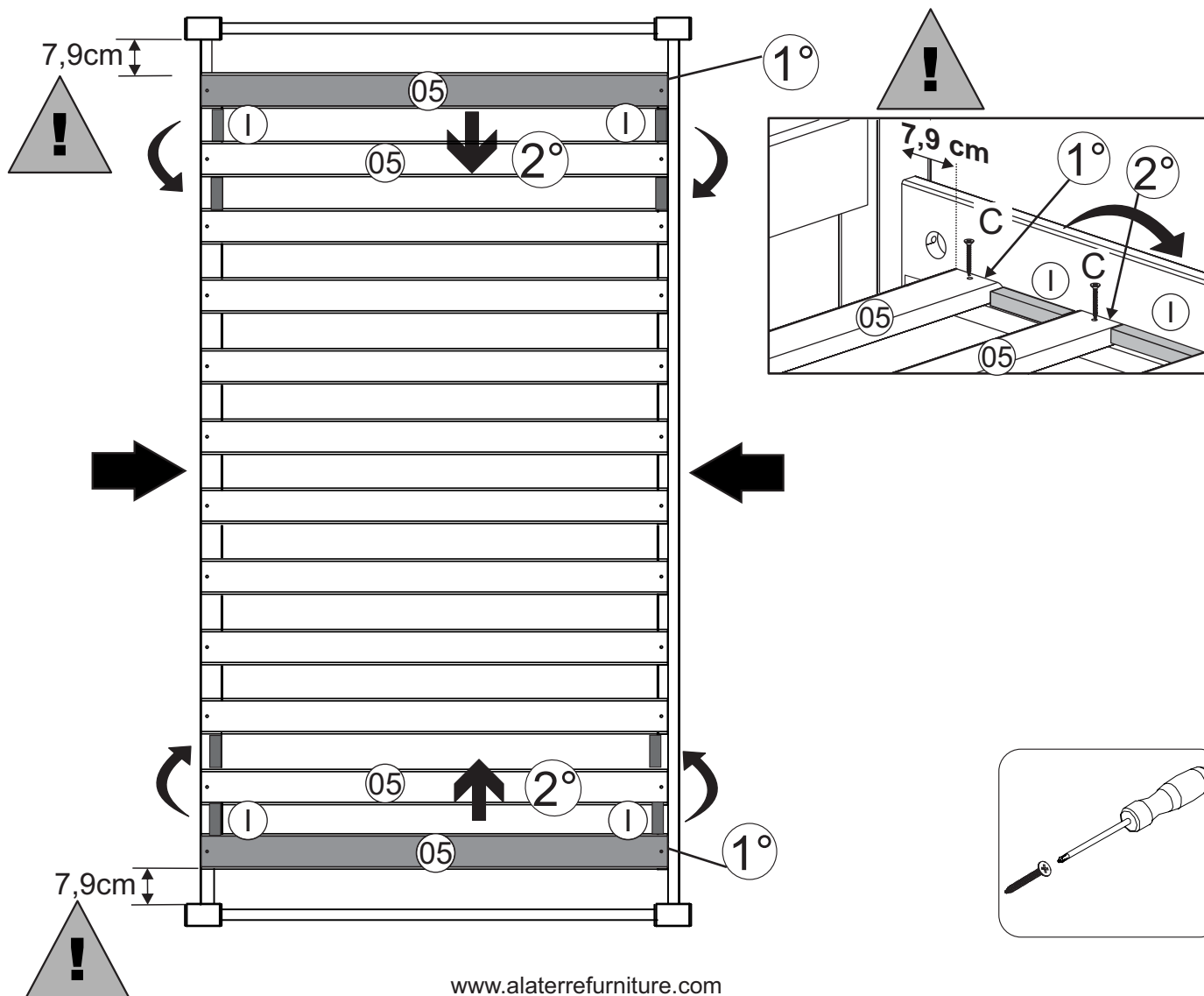
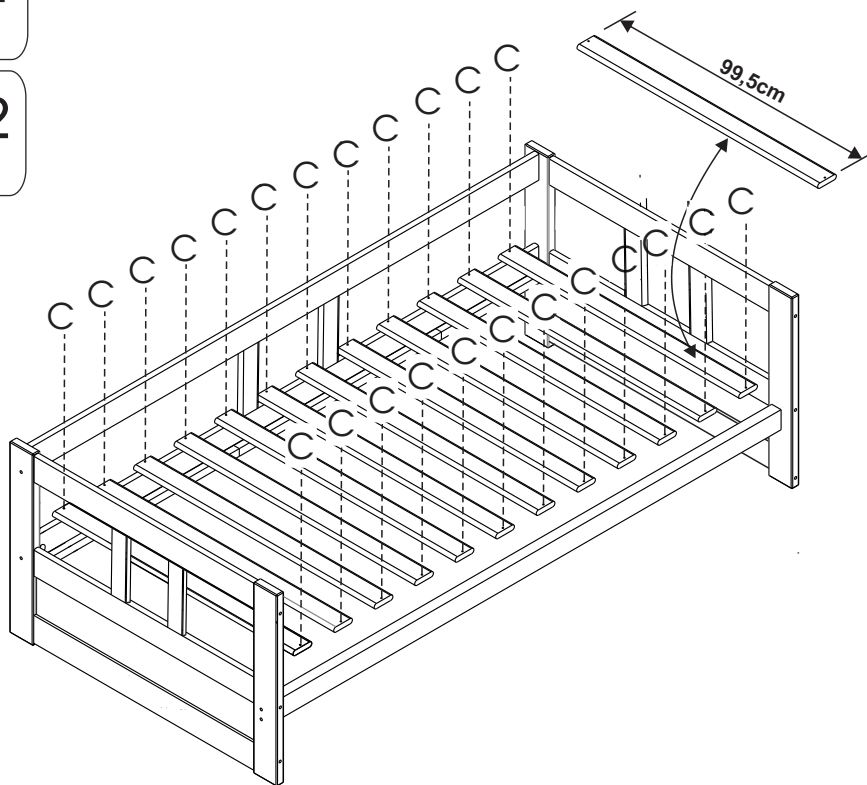
24

I

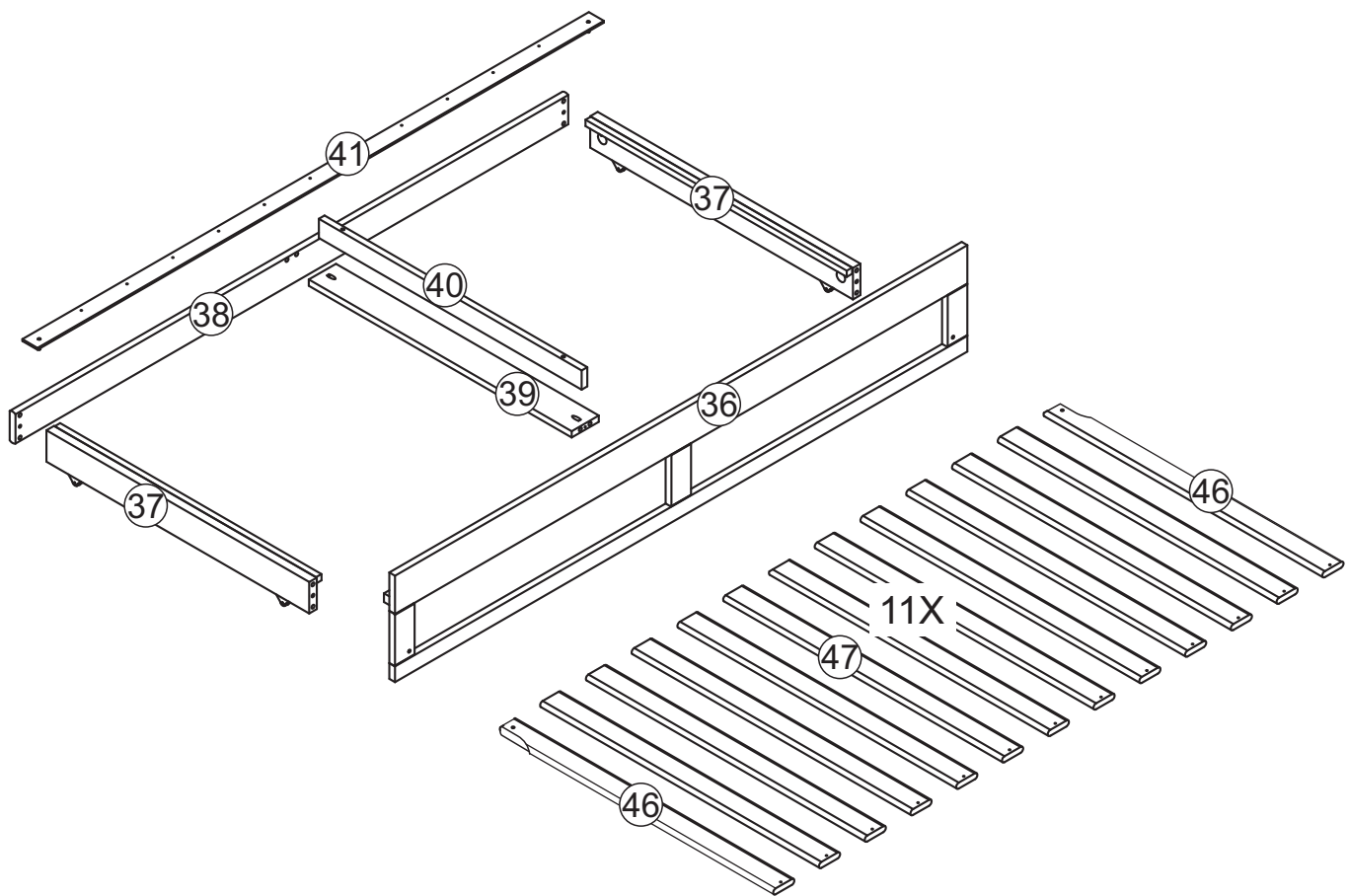


8,2cm

02







**12**

D



RD 20

04

F



10X40

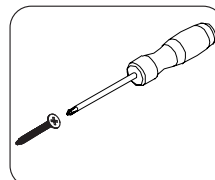
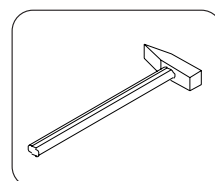
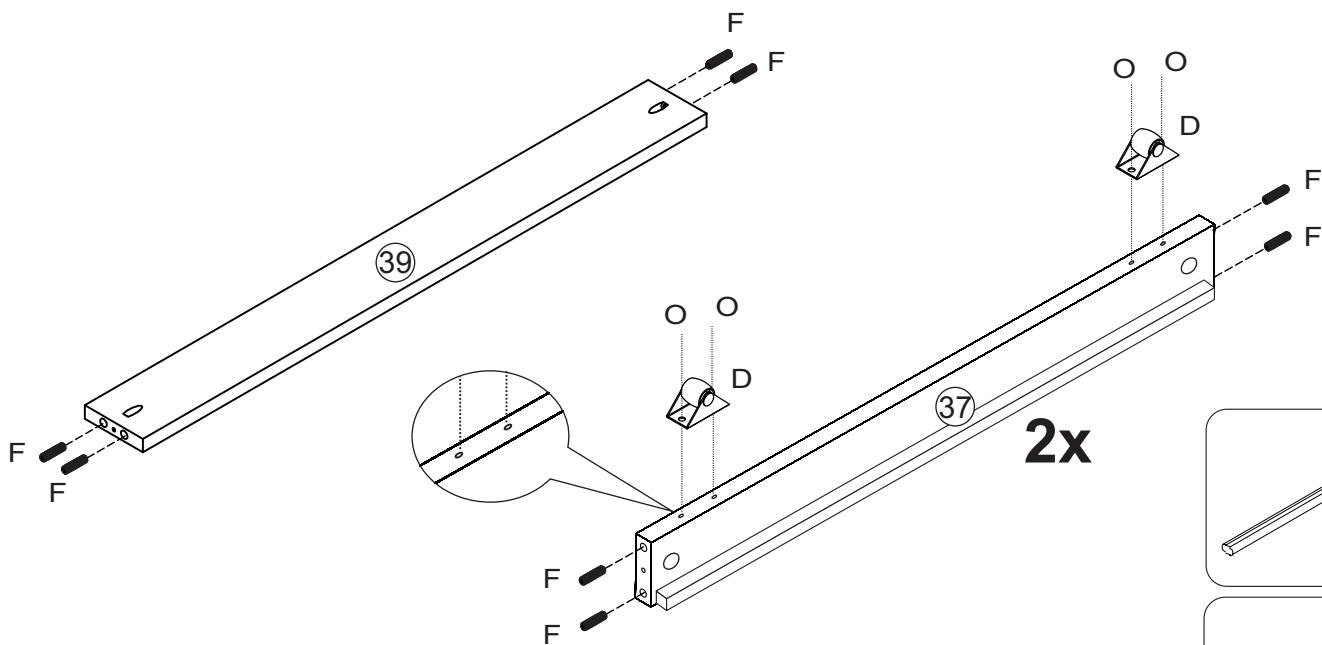
12

O

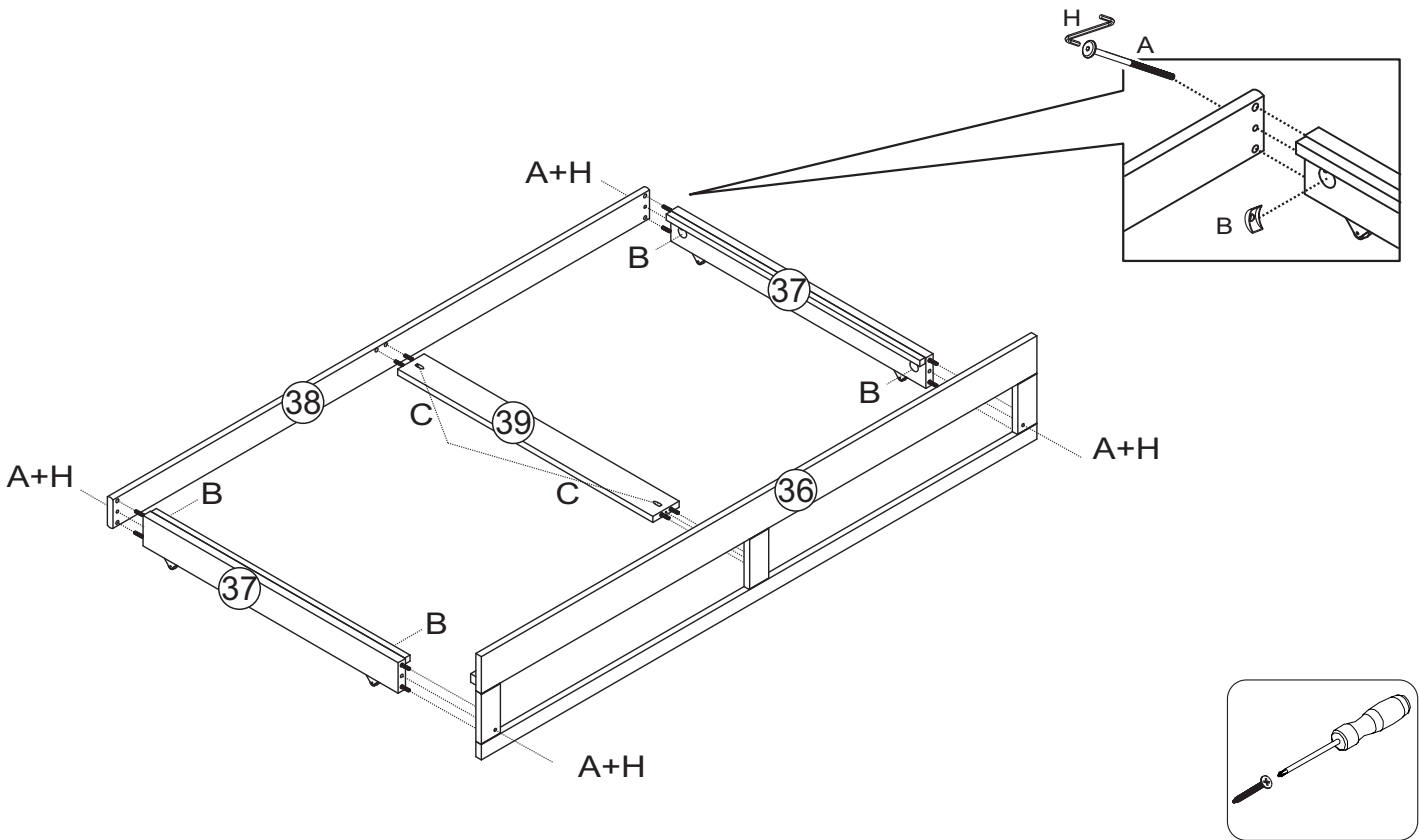
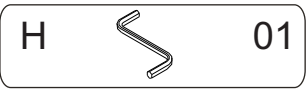
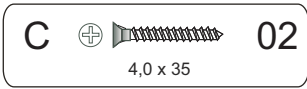
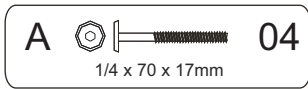


4,0 x 20

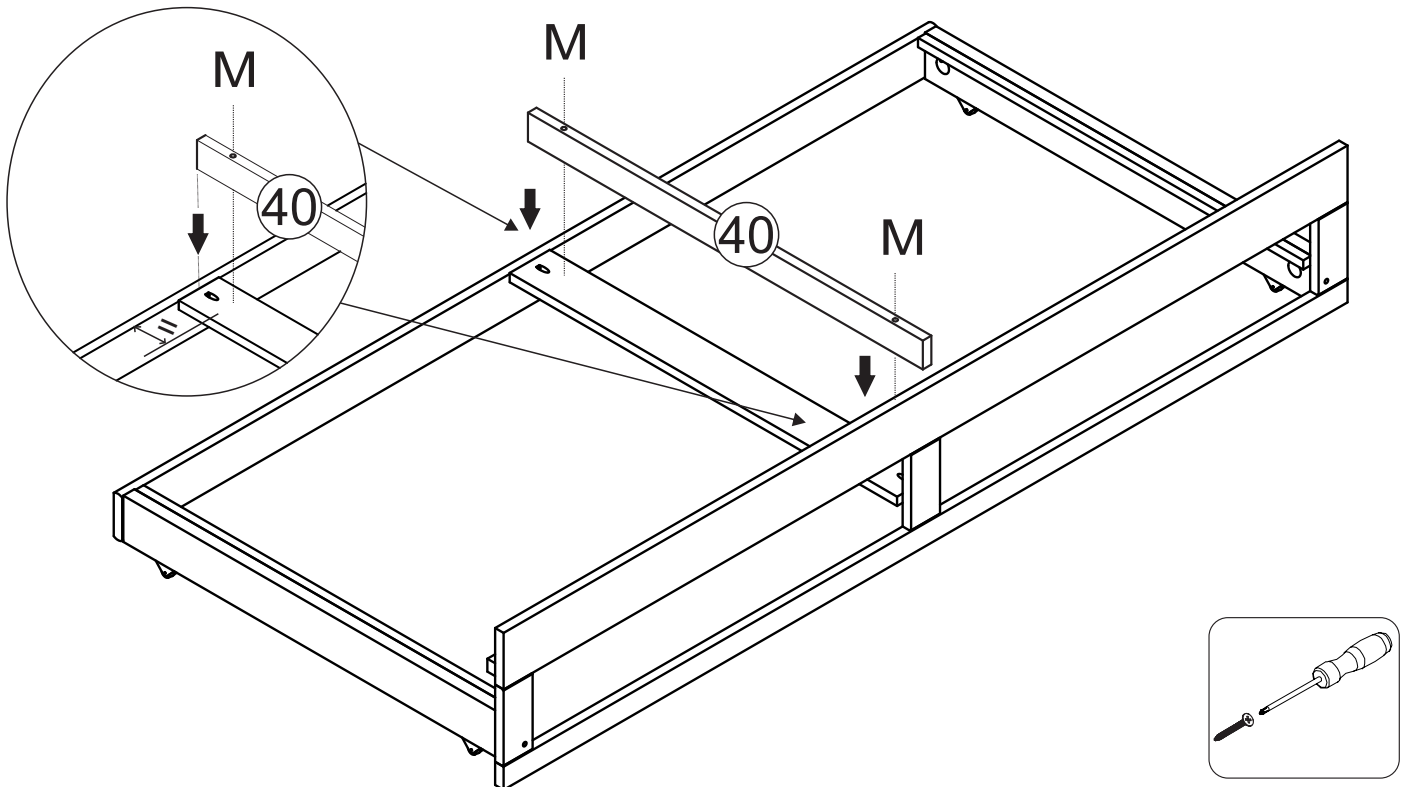
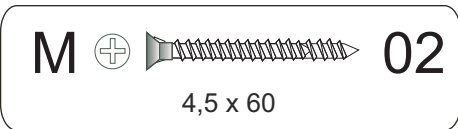
08



# 13



# 14



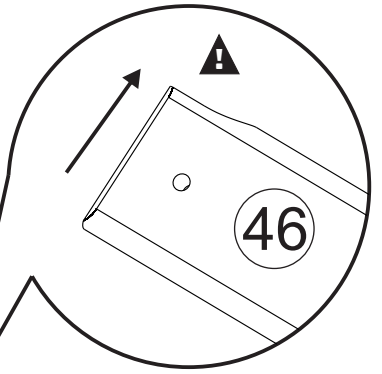
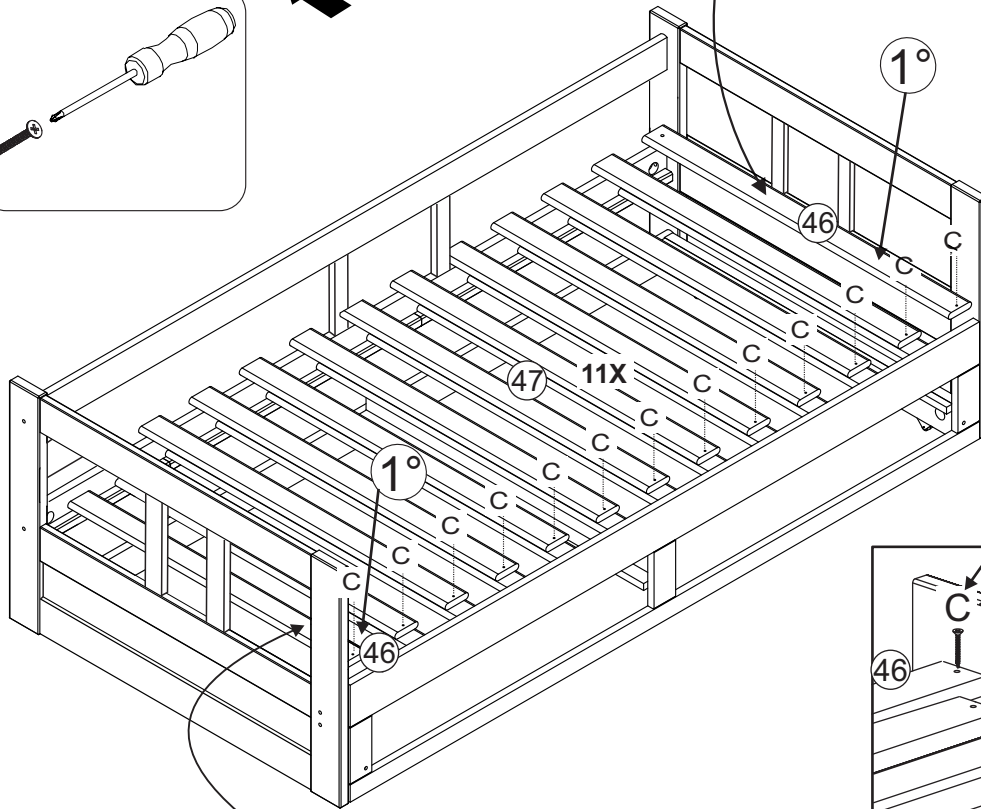
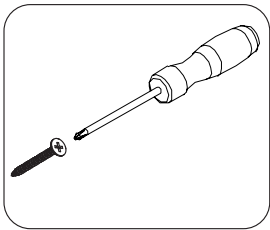
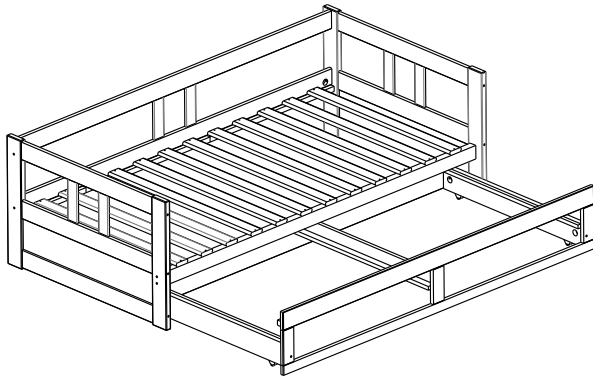
# 15

C

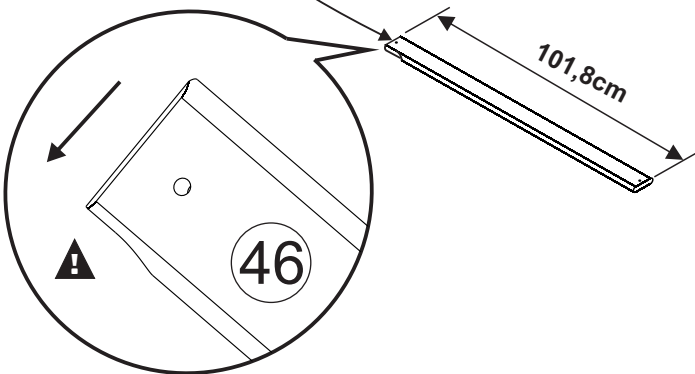
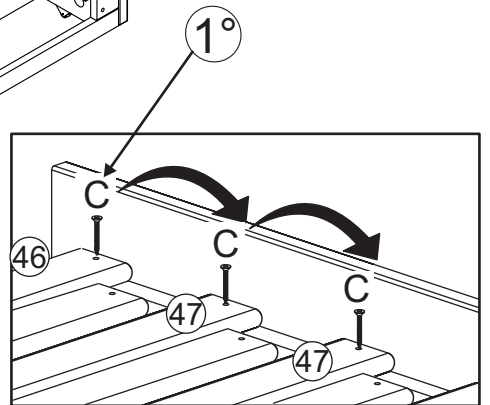


4,0 x 35

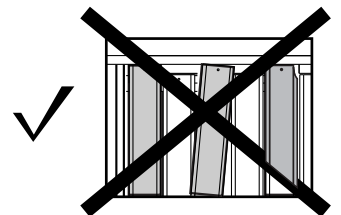
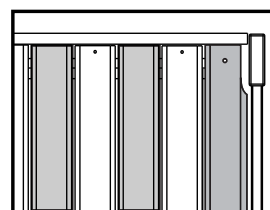
13



101,8cm

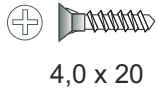


101,8cm



# 16

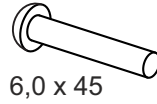
O



4,0 x 20

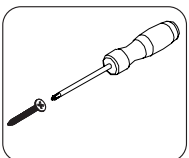
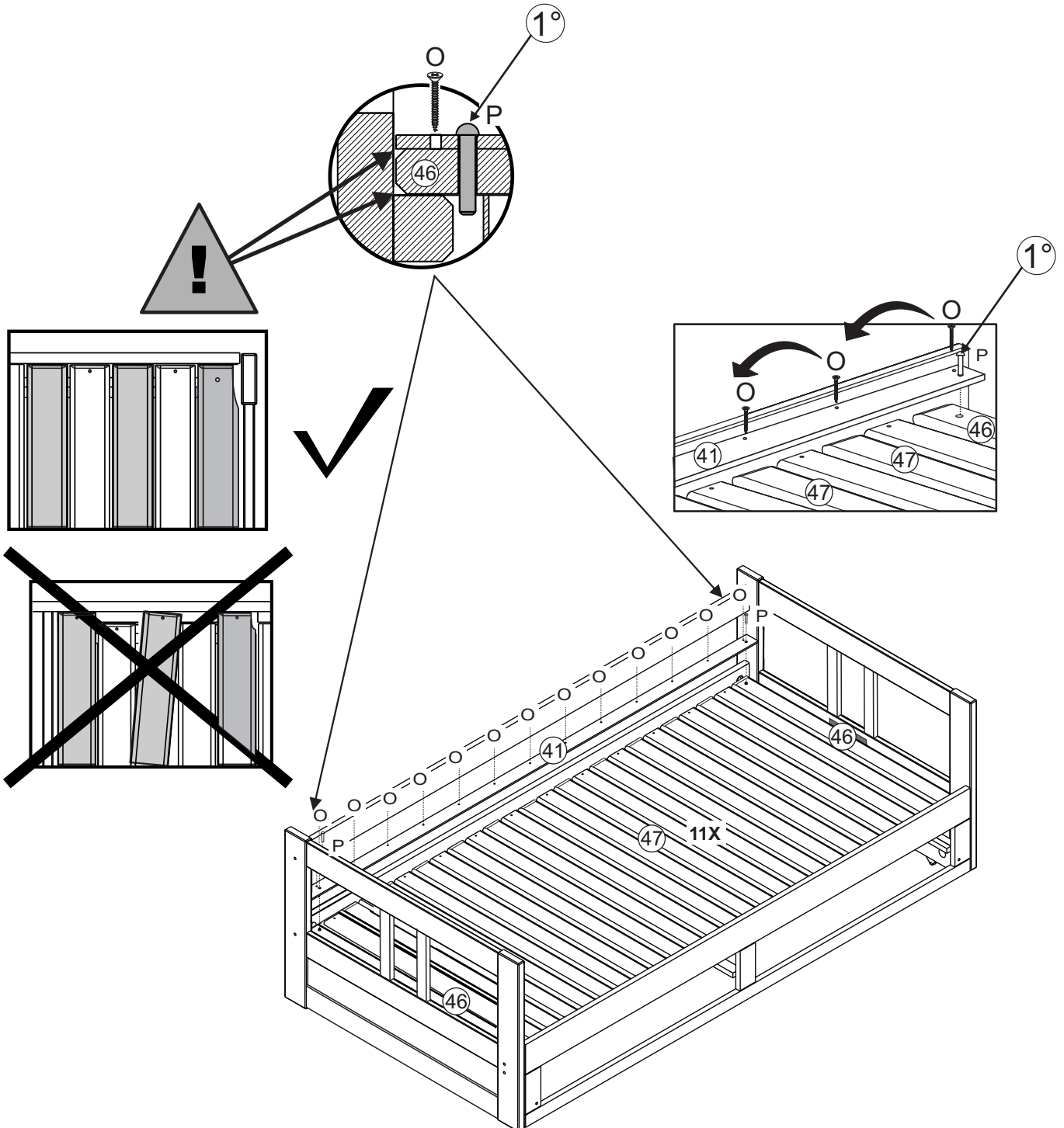
13

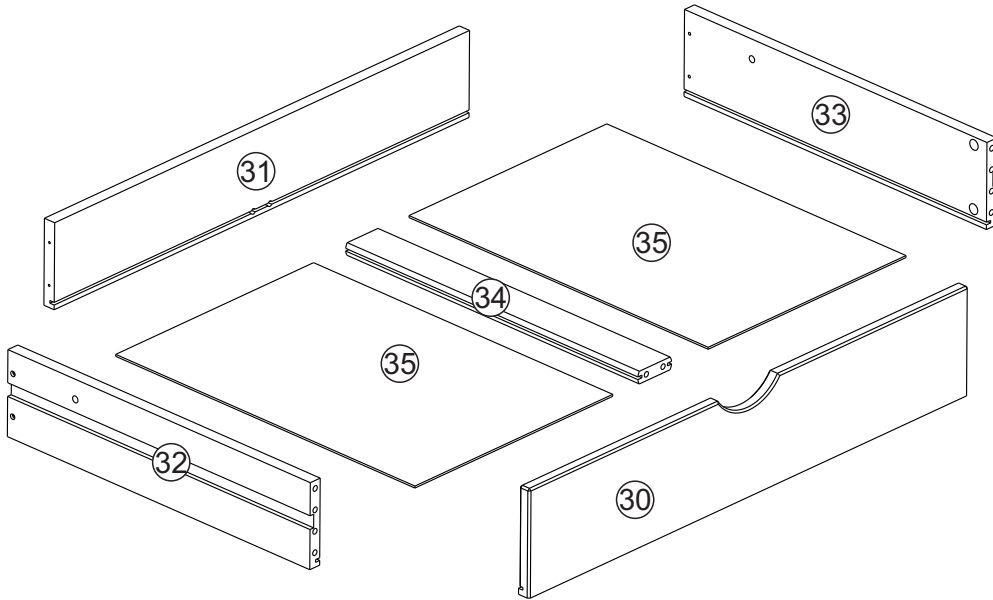
P



6,0 x 45

02





2x

17

L



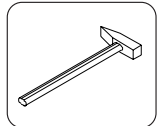
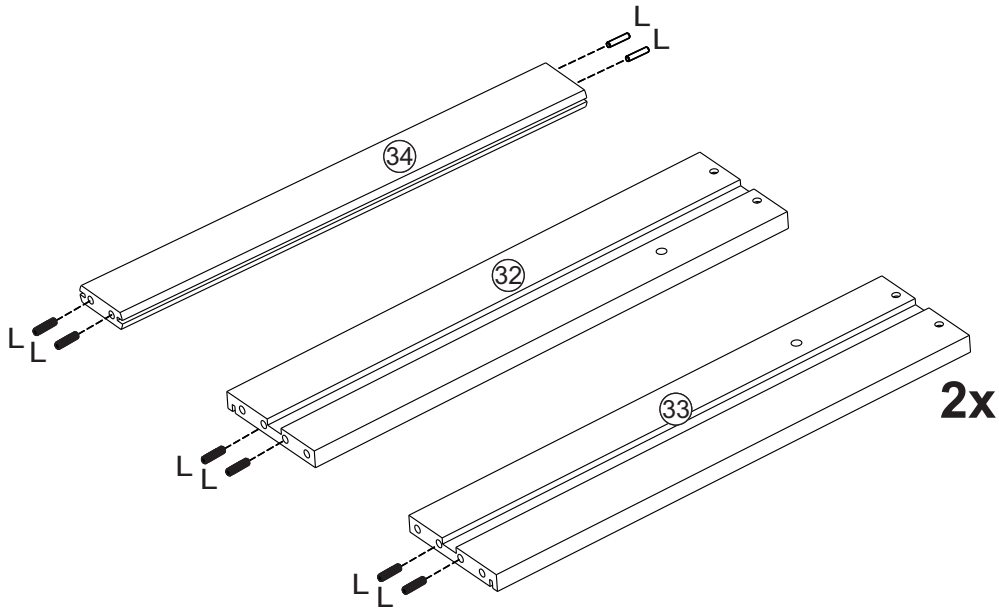
8X35

16

R



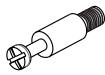
01



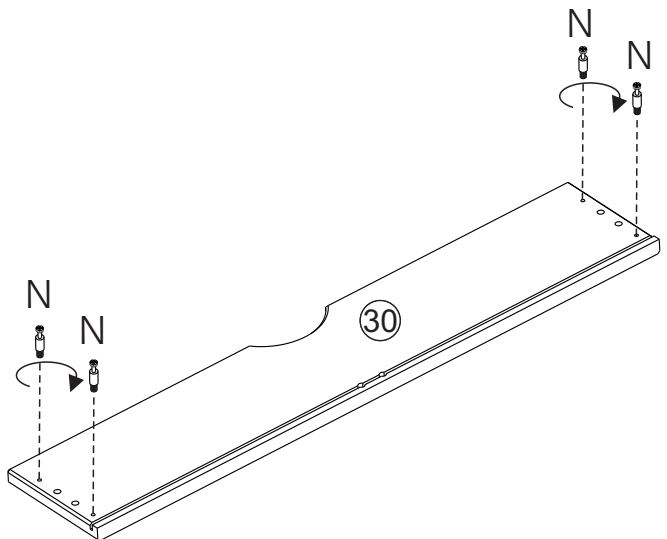
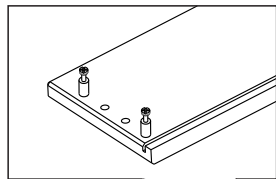
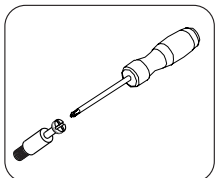
! "irreversible operation"

18

N

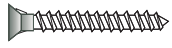


08



# 19

C



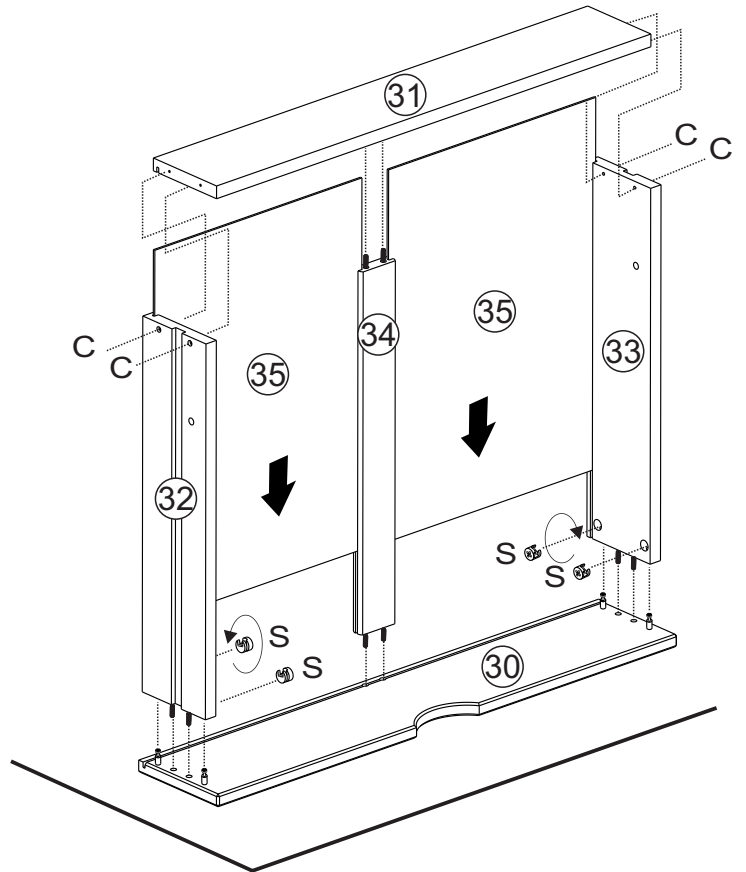
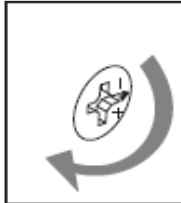
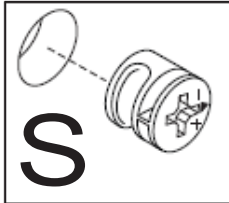
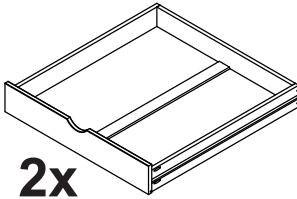
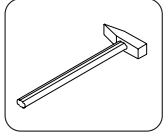
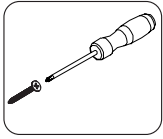
4,0 x 35

08

S



08



# 20

F



10X40

04

