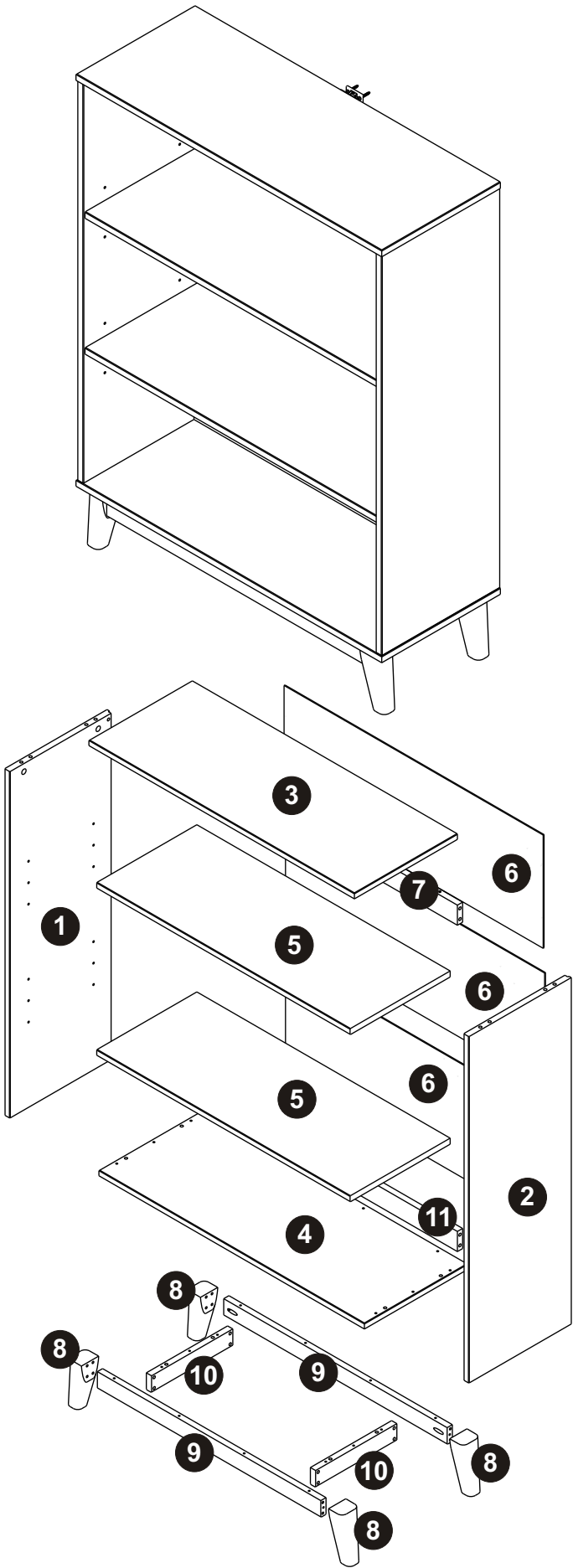
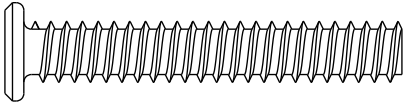
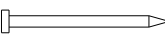
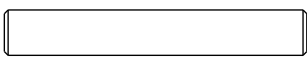
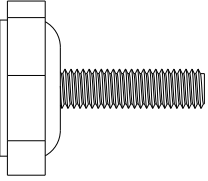
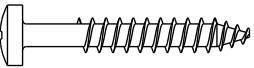

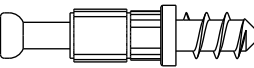
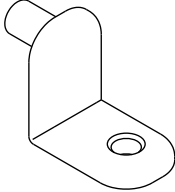

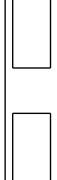



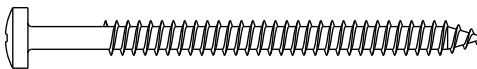



# ASSEMBLY INSTRUCTIONS MOD TALL BOOKCASE



A	 Ø7x50mm	08	J	 8x8mm	24
B	 Ø6x40mm	08	K	 27x23mm	04
C	 Ø4x30mm	04	L		01
D	 Ø5x12mm	08	M		08
E	 Ø15x11mm	08	N		02
F	 Ø8x30mm	16	O		01
G	 Ø4x40mm	10			
H	 Ø4,5x60mm	18			
I	 Ø3,5x14mm	08			

### REPLACEMENT PARTS

Please do not contact the company purchased from as we can help you faster. Order replacement parts and hardware at "[www.boltonfurniture.com](http://www.boltonfurniture.com)".

#### Tools Required

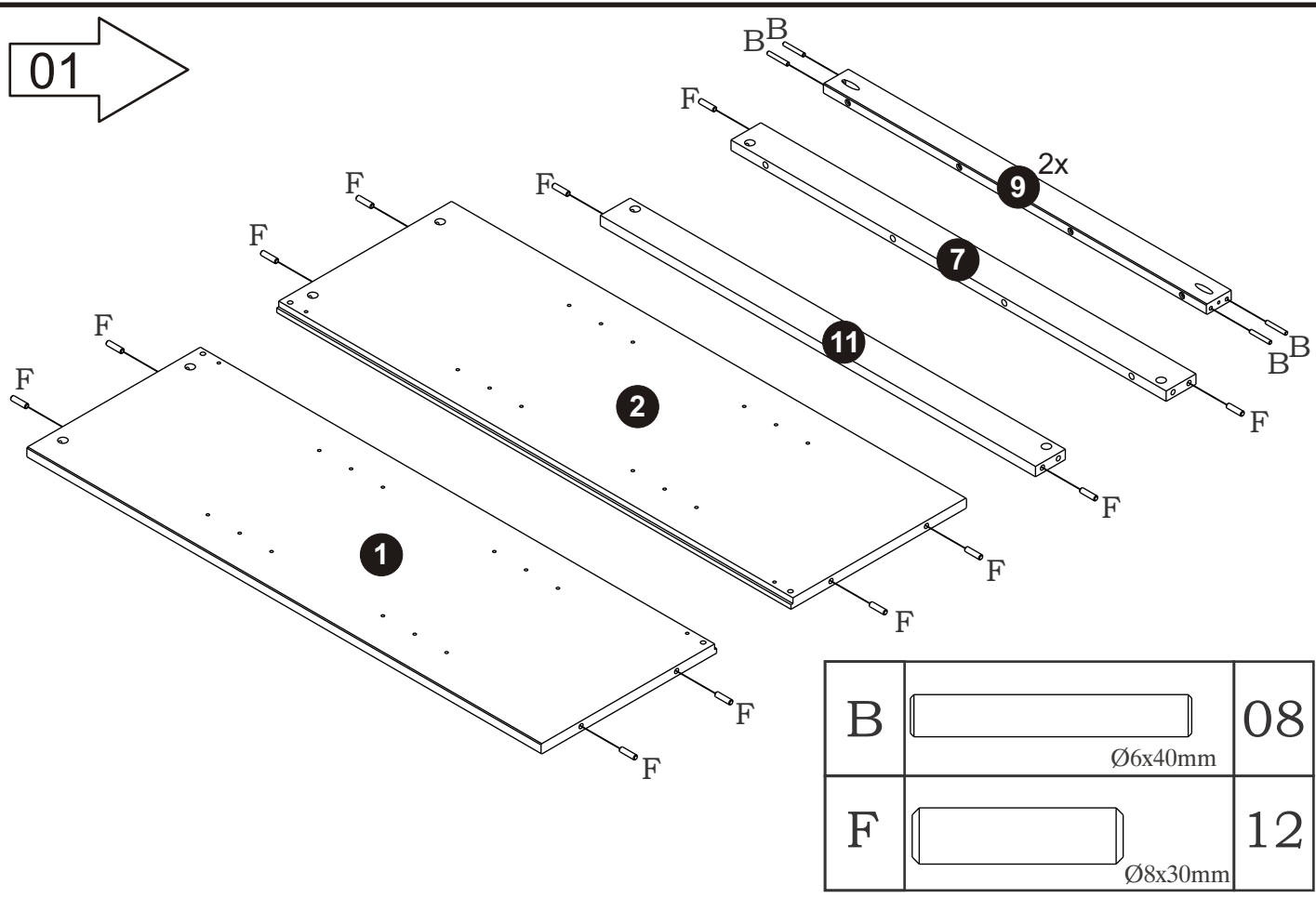
 Phillips Tool



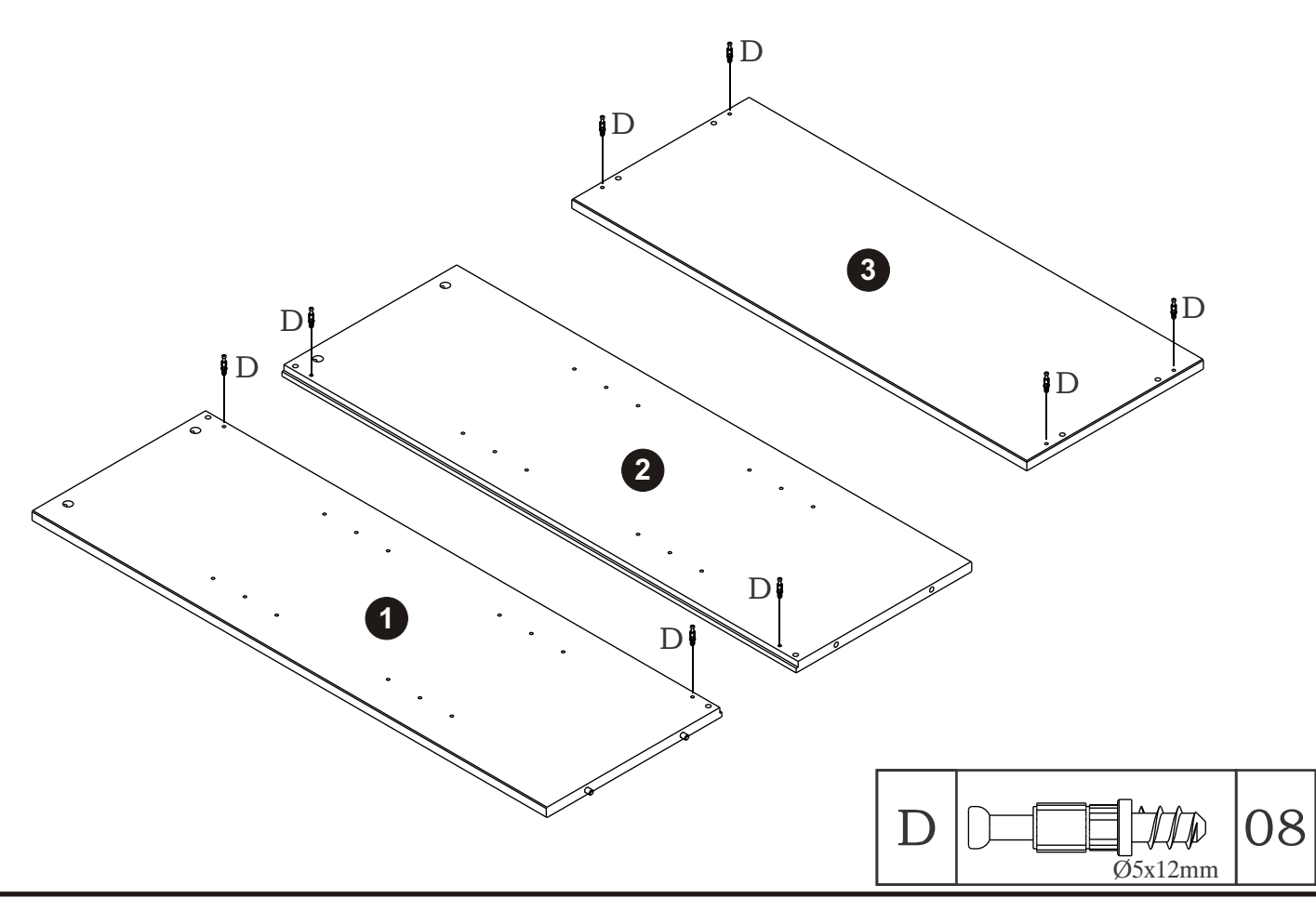
Hammer

\* These tools are not supplied by the manufacturer

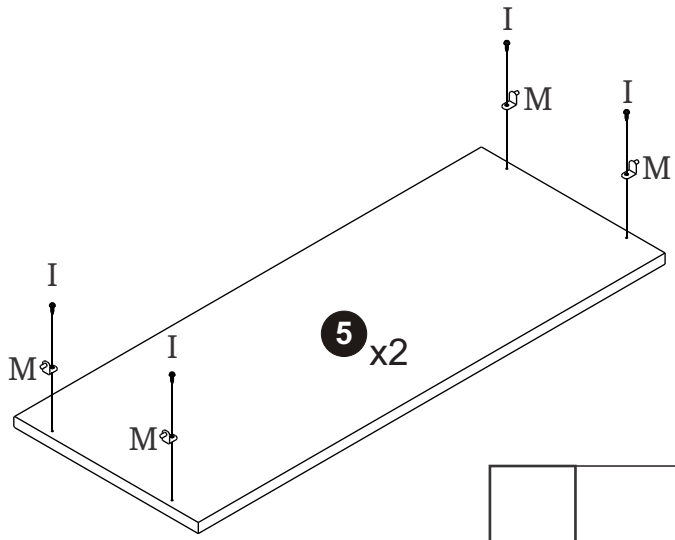
01

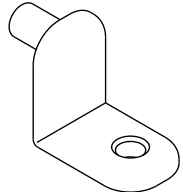



02



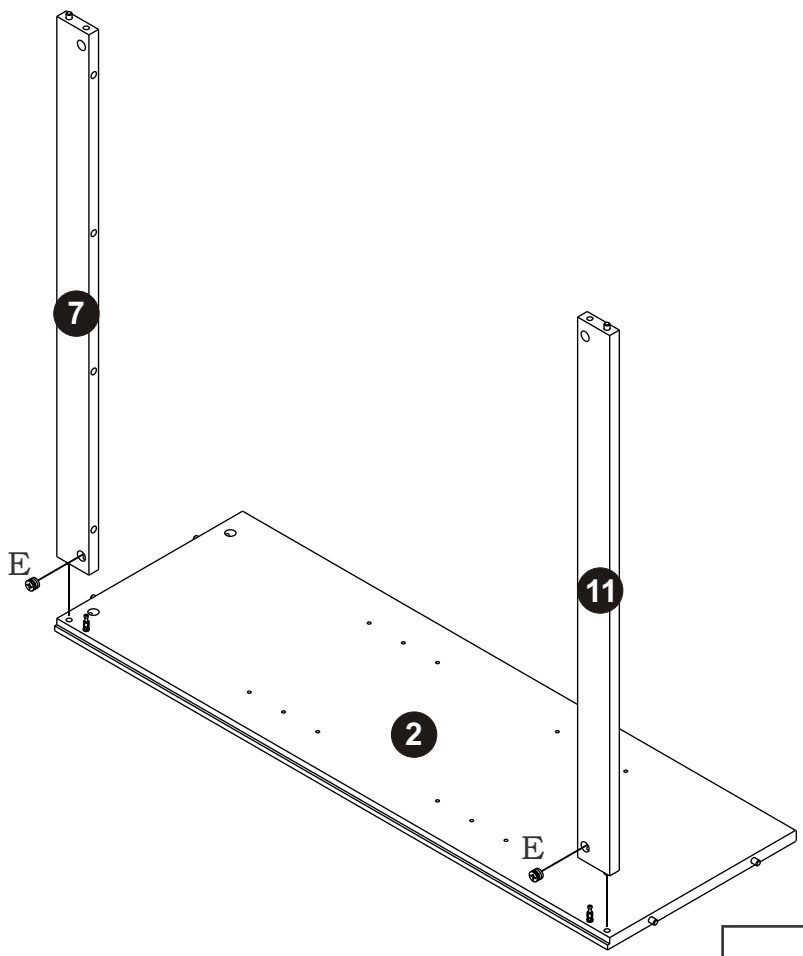
03




M		08
I		08

Ø3,5x14mm

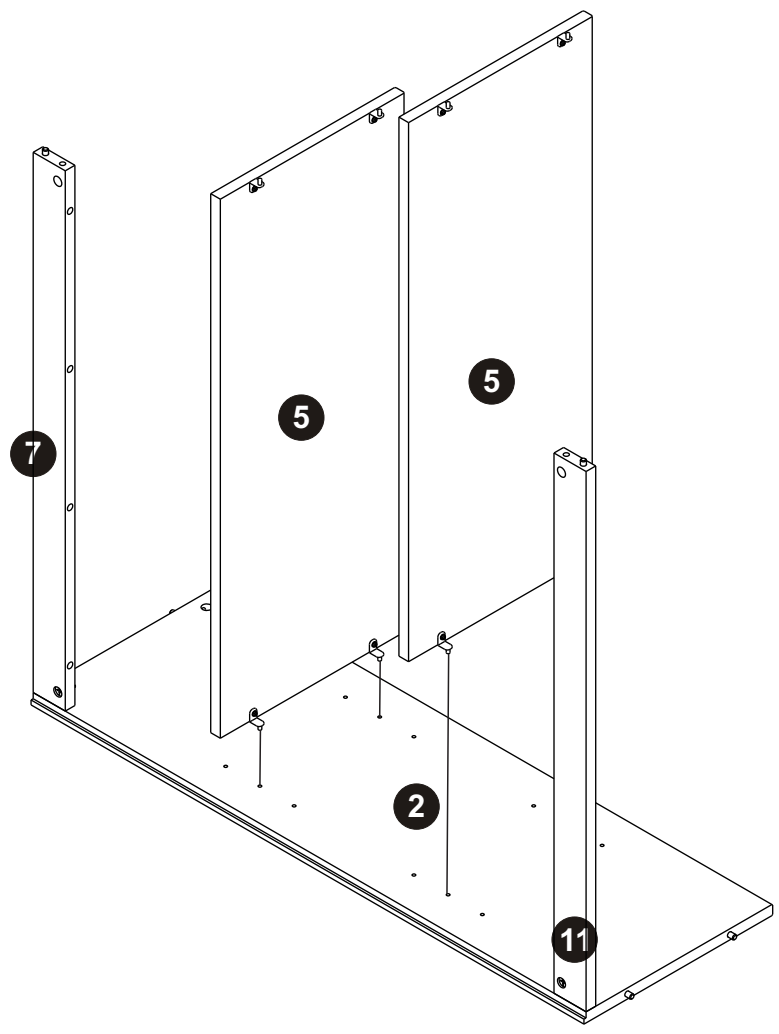
04



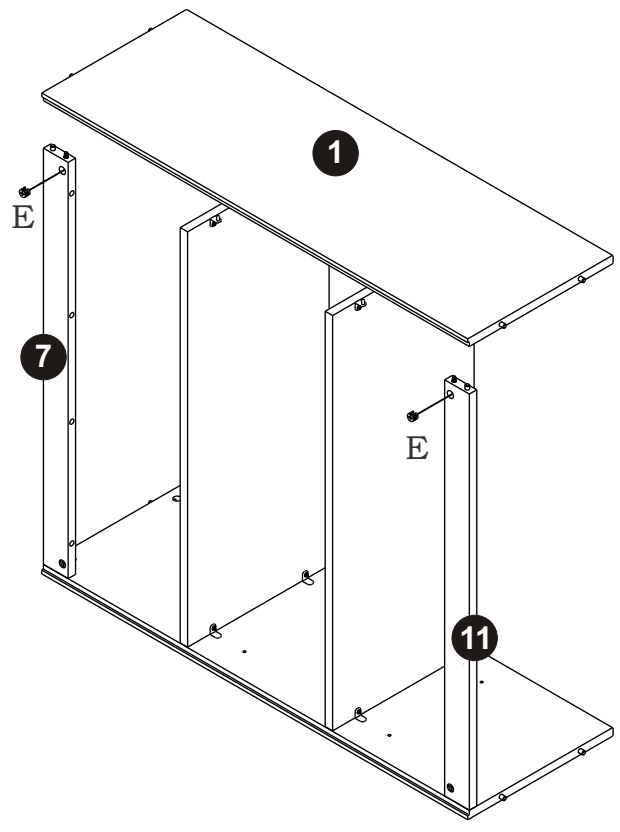
E		02
---	---	----


Ø15x11mm

05

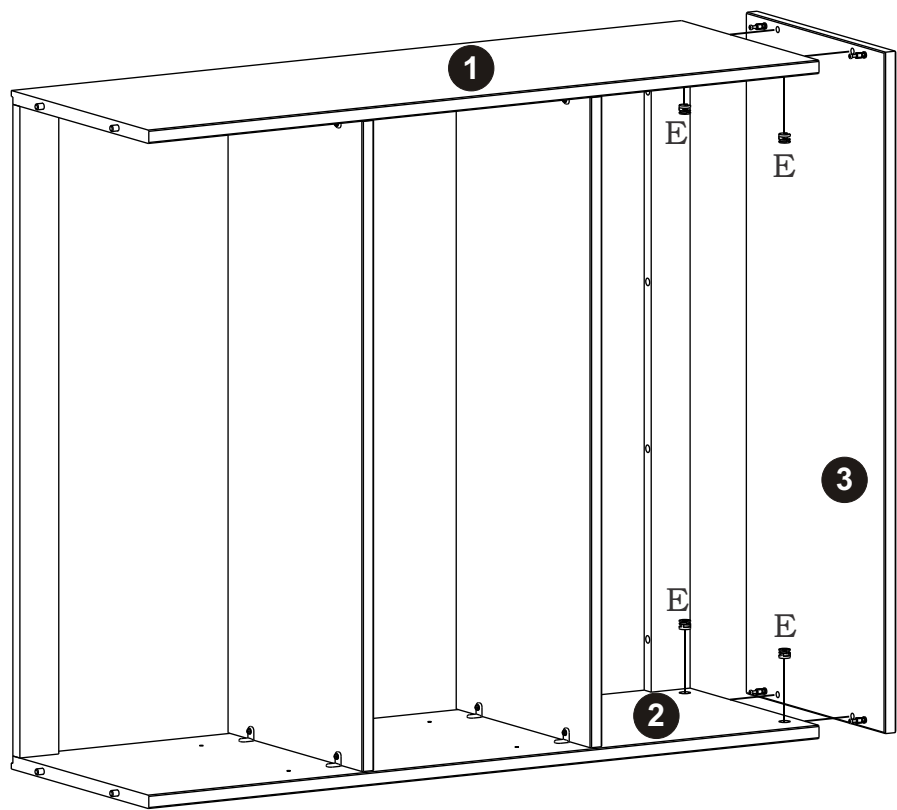



06



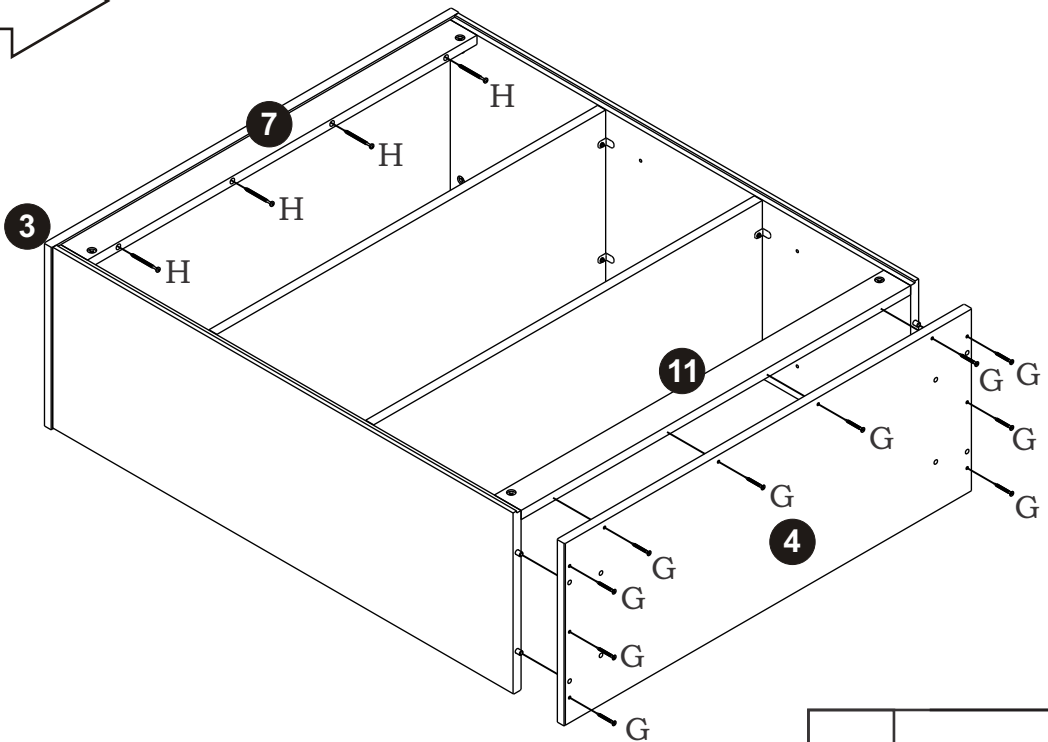
E	 Ø15x11mm	04
---	---	----


07

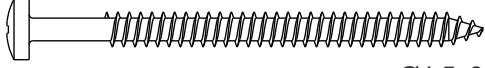


E	 Ø15x11mm	04
---	--	----

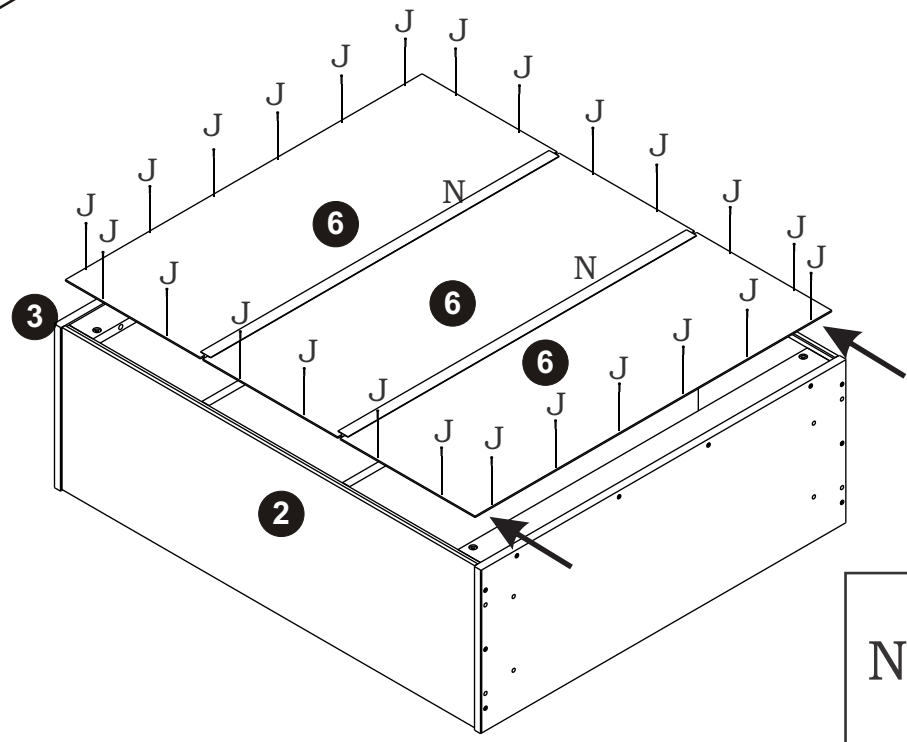
08


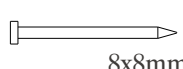


G	 Ø4x40mm	10
---	--	----

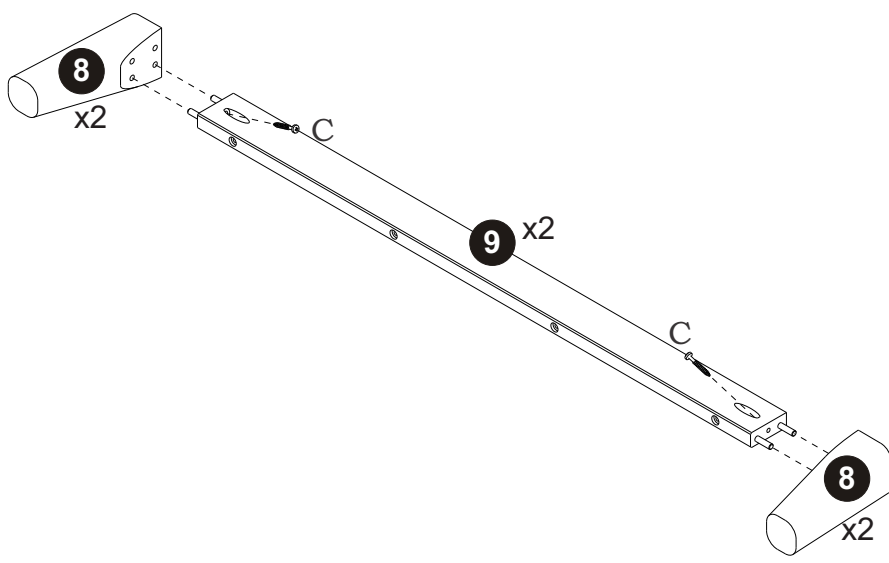
H	 Ø4,5x60mm	04
---	---	----


09



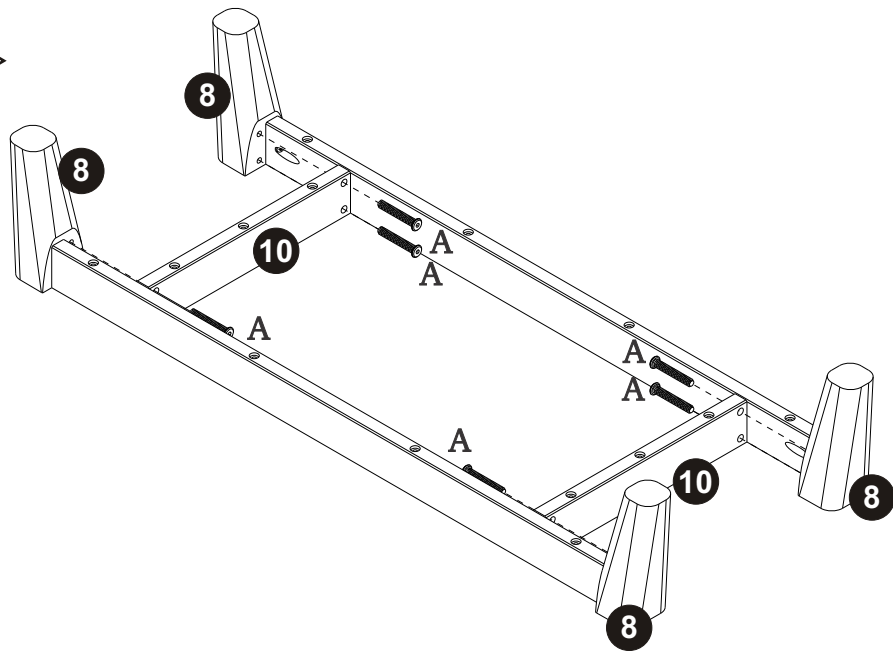
N		02
J	 8x8mm	24


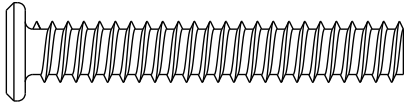
10



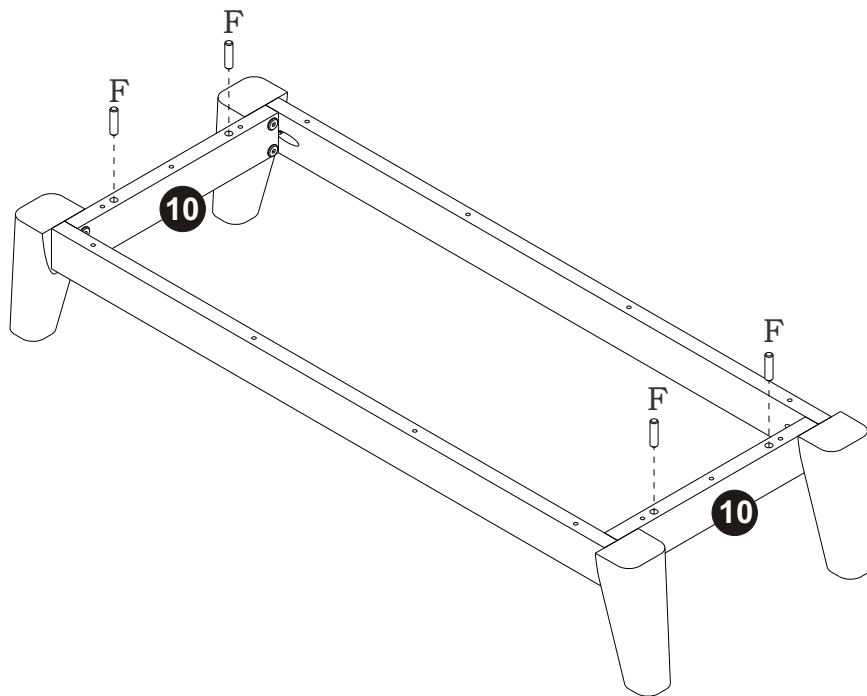
C	 Ø4x30mm	04
---	--	----

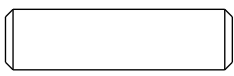
11



L		01
A	 Ø7x50mm	08

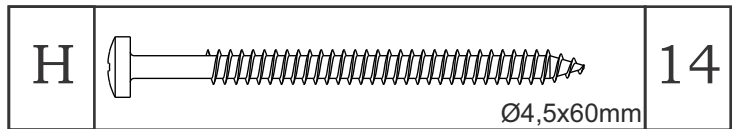
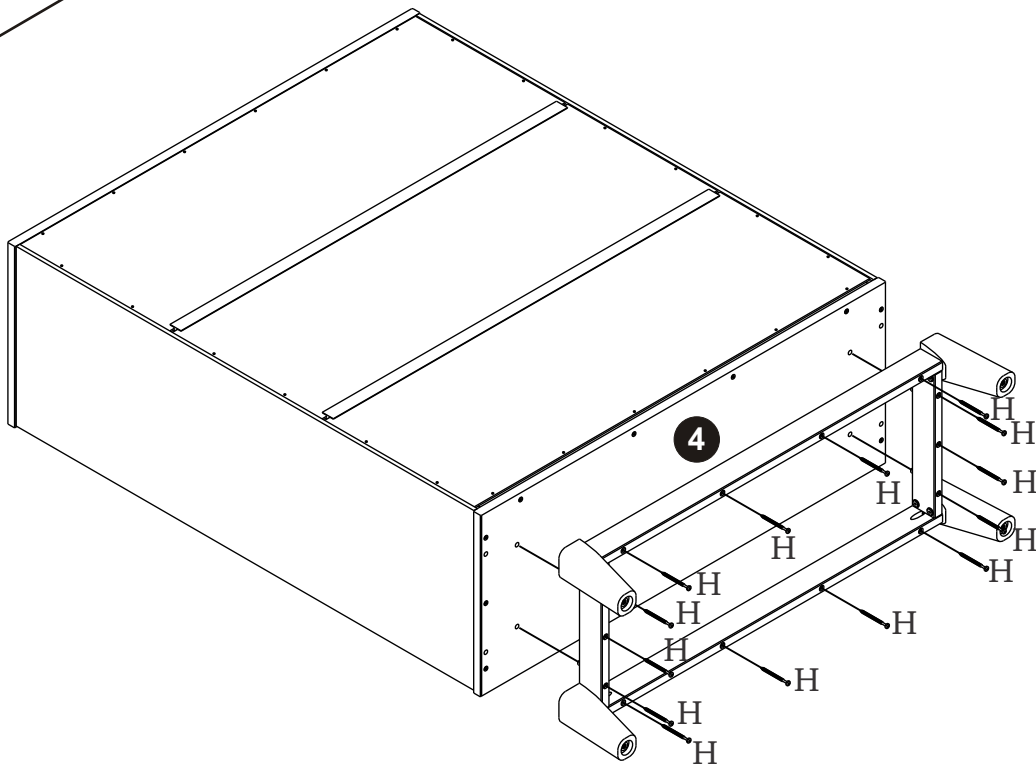
12



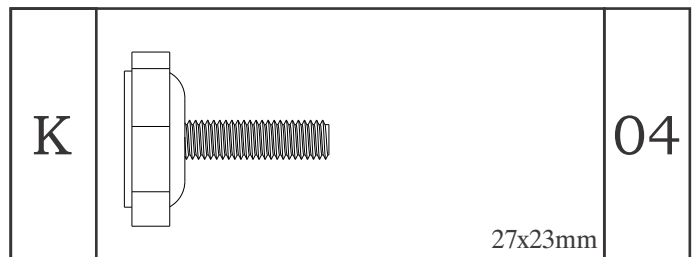
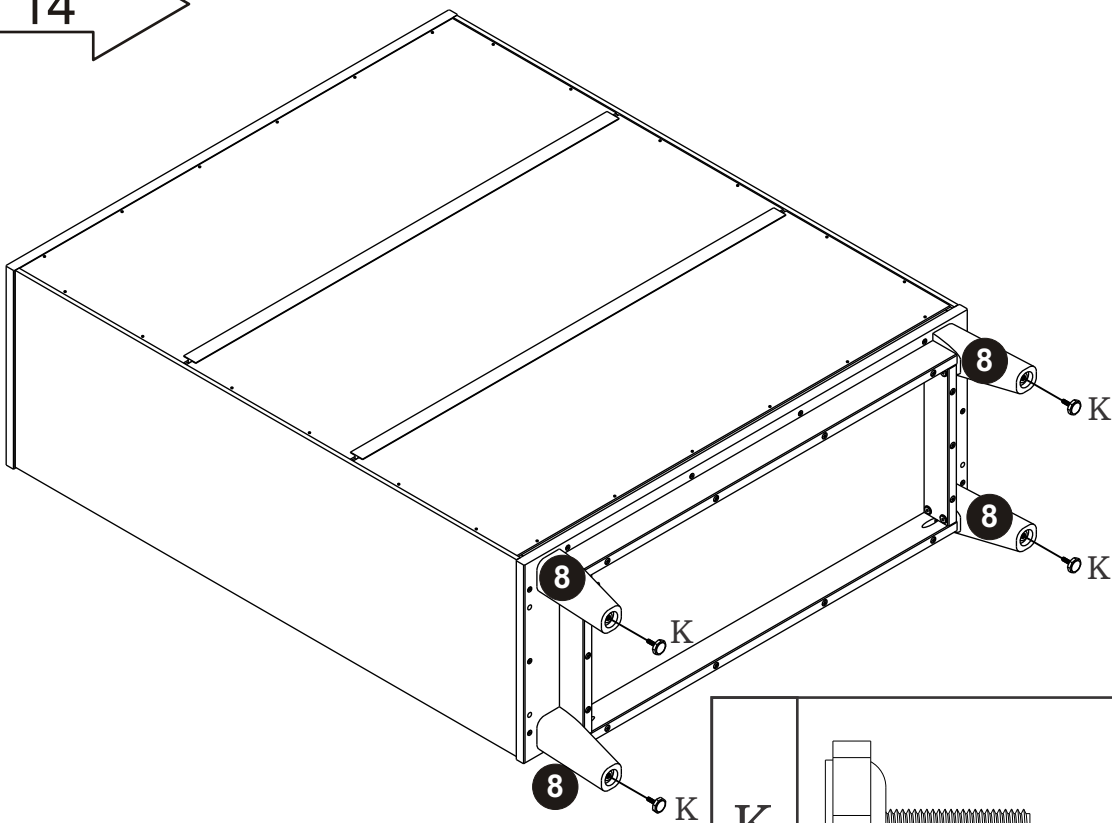
F	 Ø8x30mm	04
---	--	----

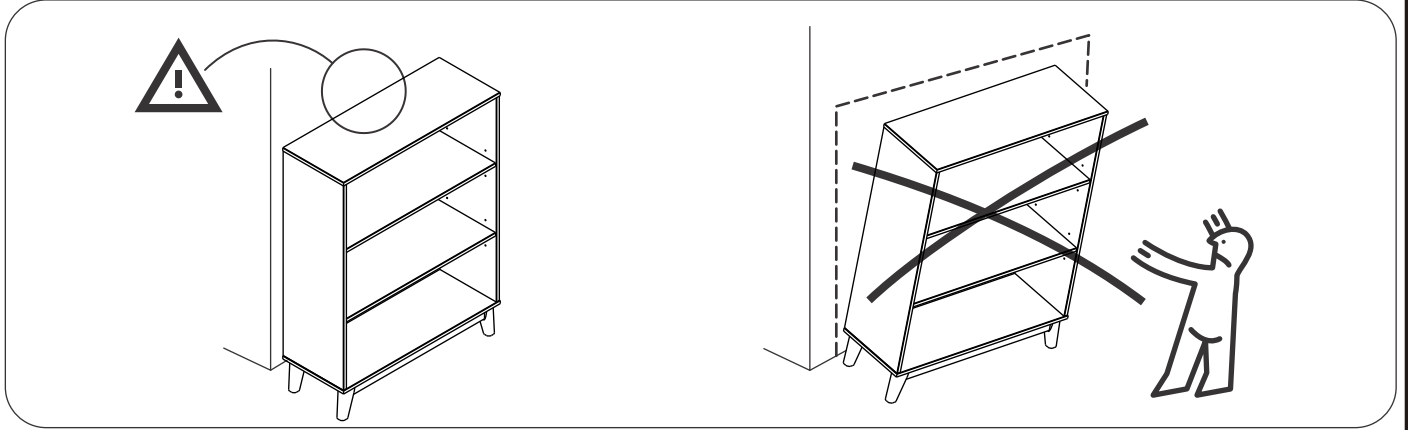


13

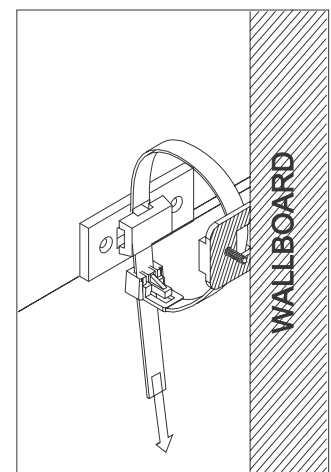
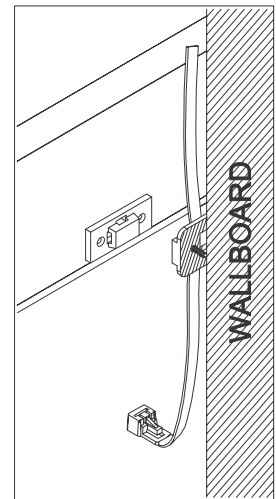
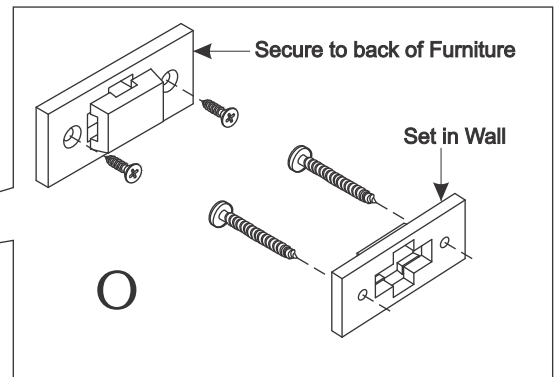
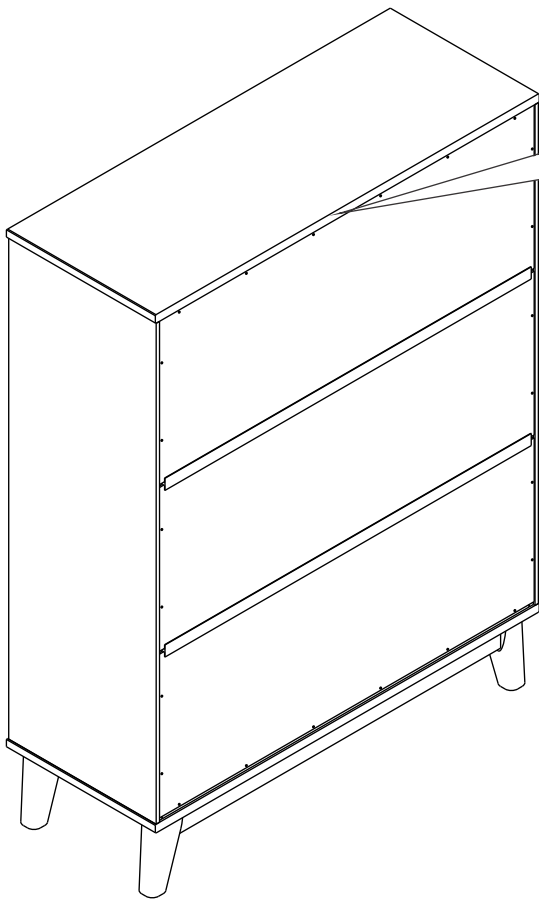


14


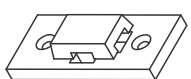
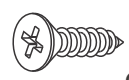





## Secure to Stud behind Wallboard.



Secure to Stud behind Wallboard!

O	Hardware of WallBoard			
	 Ø4x30mm	02		 02
	 Ø4x16mm	02		 140mm 01