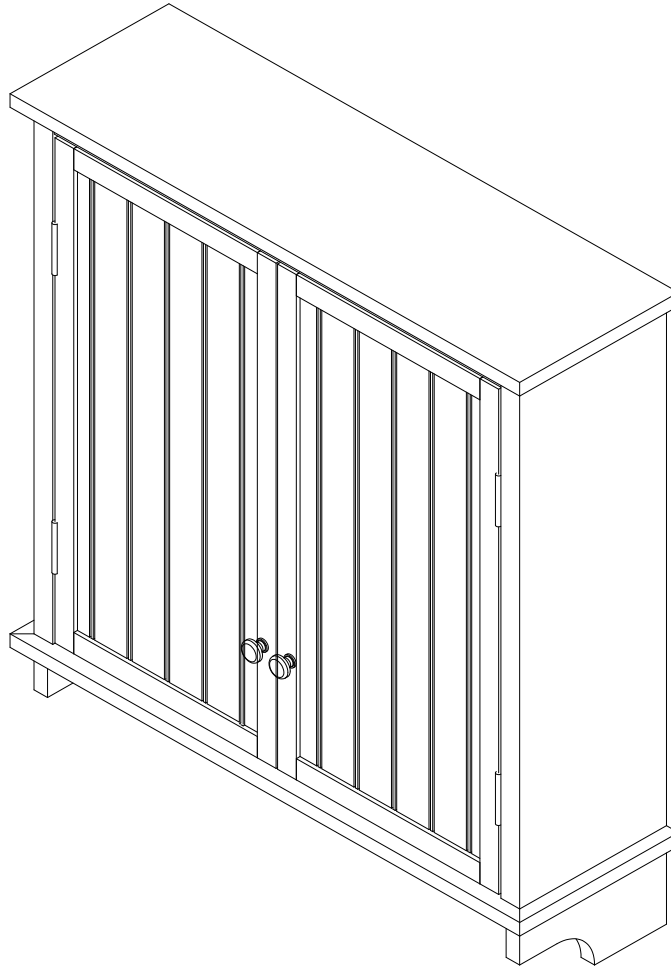


# ASSEMBLY INSTRUCTIONS

## 27"W x 29"H Wall Mounted Bathroom Storage Cabinet with 2 Doors and Towel Rod



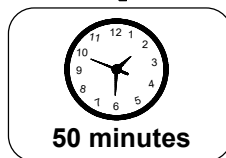
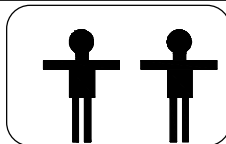
### REPLACEMENT PARTS

Please do not contact the company purchased from as we can help you faster.

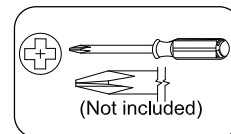
Order replacement parts and hardware at "[boltonfurniture.com](http://boltonfurniture.com)"



. Use of power tool to assemble this product will invalidate any claim and damage this product making it unsafe!!!  
. Please assemble on a clean soft surface to avoid damage.

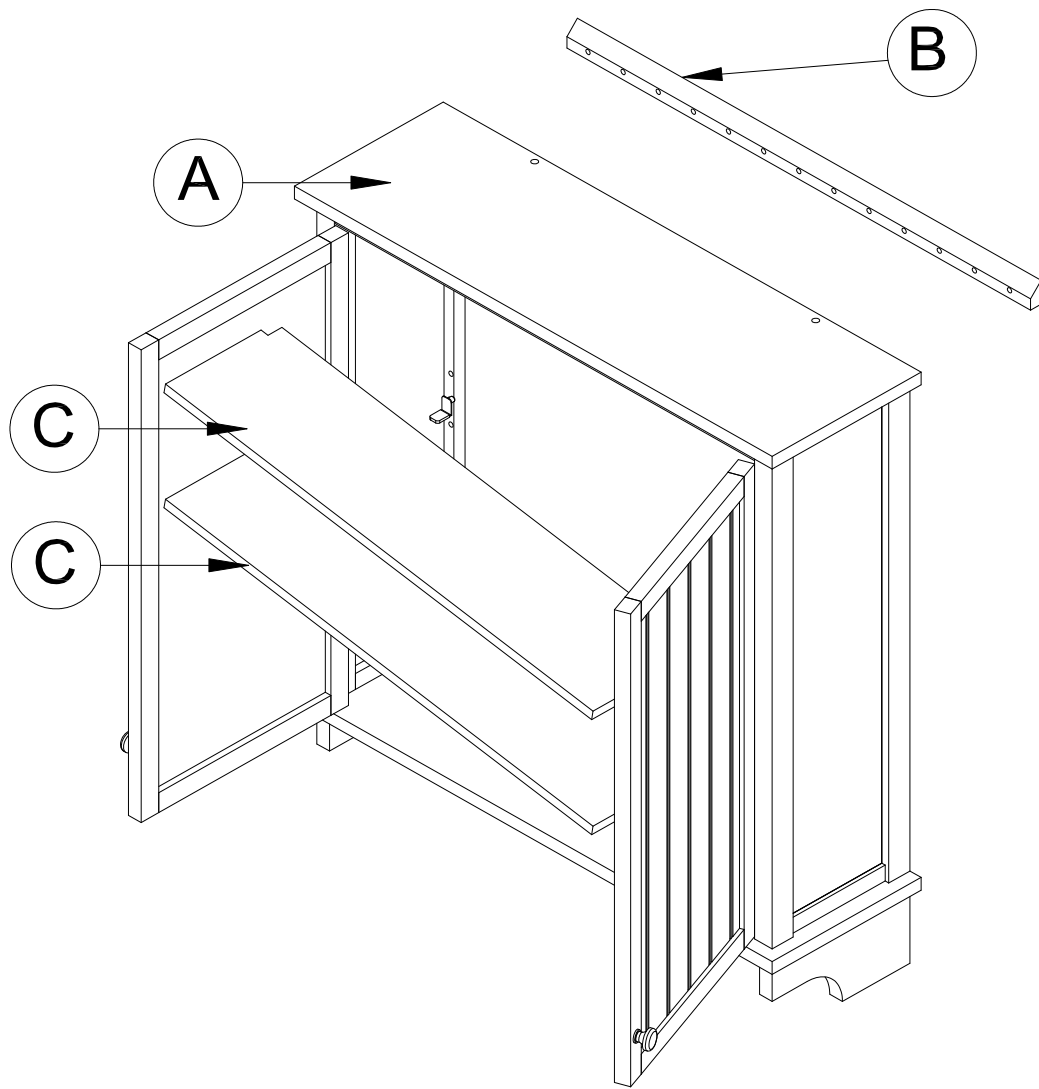


### Tool Included


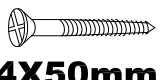


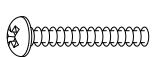


[www.boltonfurniture.com](http://www.boltonfurniture.com)

**Part List-27"W x 29"H Wall Mounted Bathroom Storage Cabinet with 2 Doors and Towel Rod**



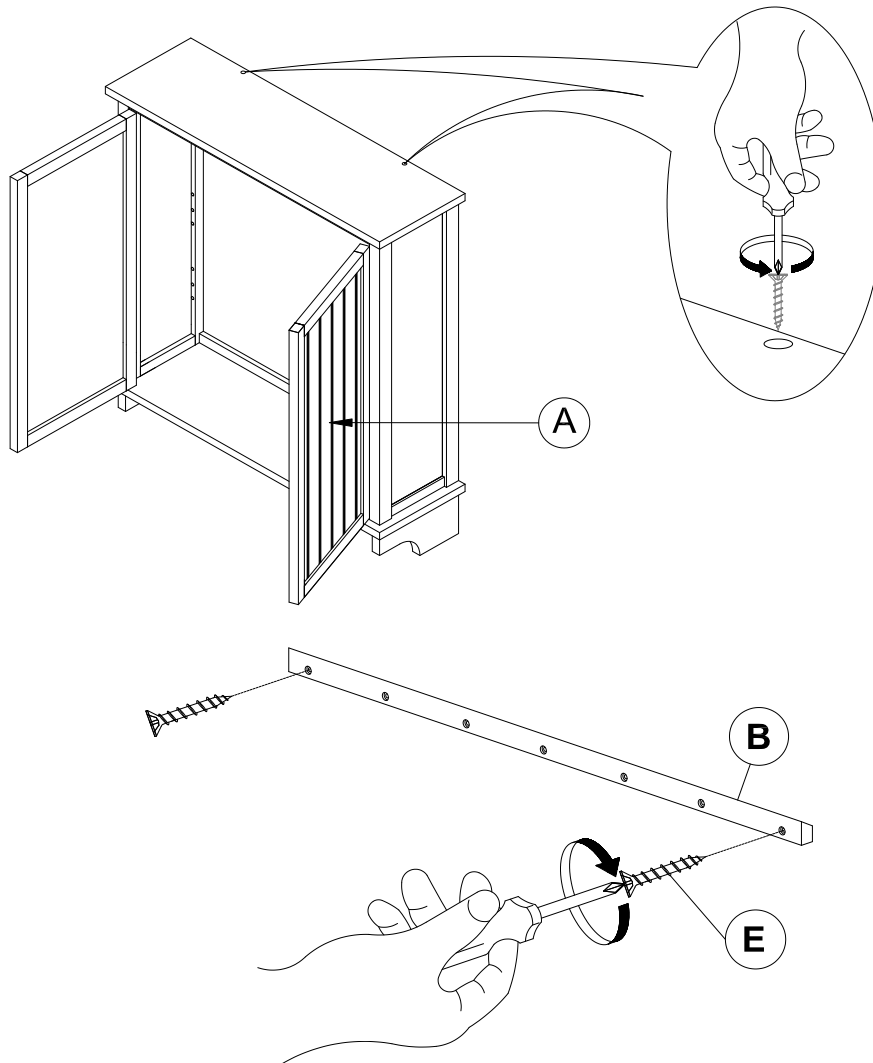
**Identifying the hardware**-Identify the hardware using the illustrations below.

<b>D</b>  <b>08</b>	<b>E</b>  <b>04</b> <b>4X50mm</b>	<b>F</b>  <b>02</b> <b>EZ Anchor</b>
<b>G</b>  <b>02</b>	<b>H</b>  <b>02</b>	

[www.boltonfurniture.com](http://www.boltonfurniture.com)

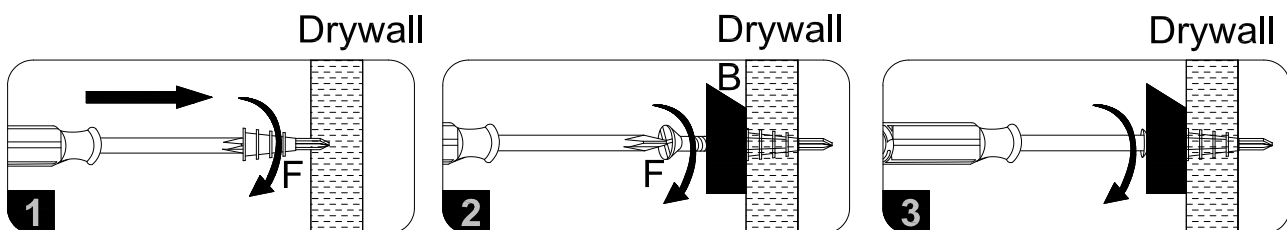
## Step 1

Remove the French Cleat (B) from the back of the Bath Storage Cabinet (A) by unscrewing 2 pre-installed Wood Screws (E) from the top of the cabinet. Locate studs behind drywall in desired location. Attach French Cleat (B) to Wall Studs in at least 2 locations with Wood Screws (E)




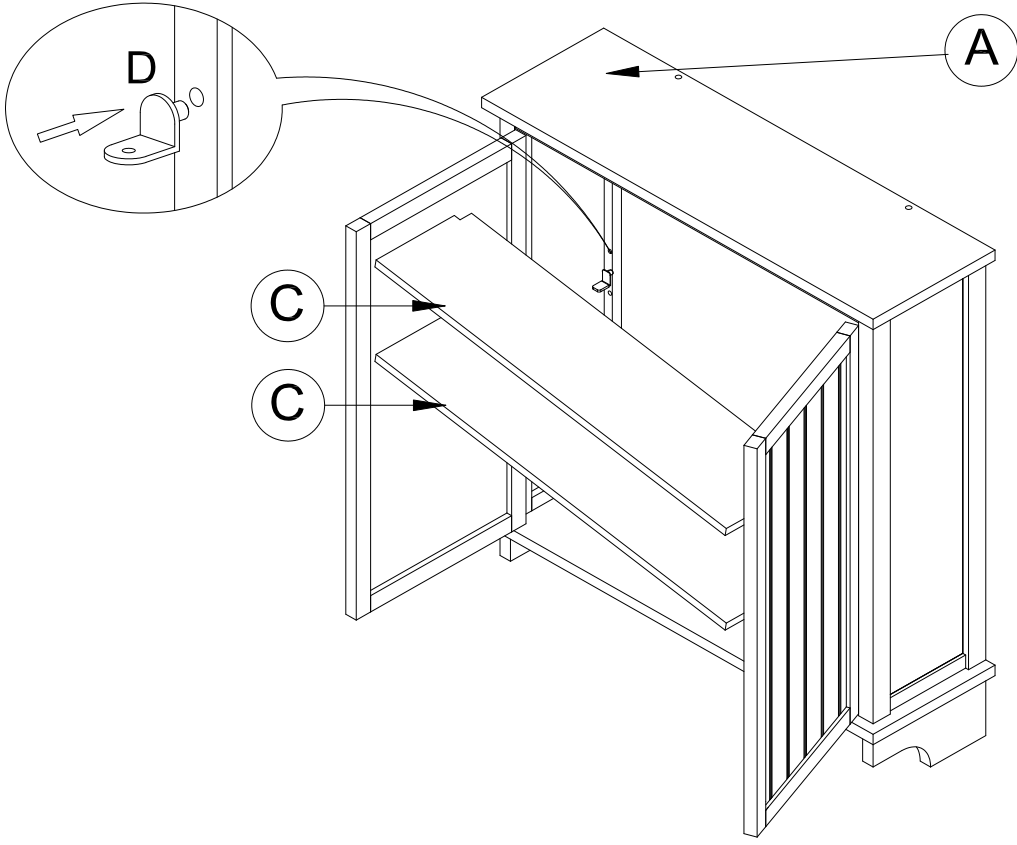
## Step 2

If hole locations do not align with stud in wall, install the EZ Anchor(F) in to drywall by tapping it in to the predrilled pilot holes up to the thread, and then screwing the EZ Anchor in to the drywall. Attach Cleat (B) using wood screw (E ) to EZ Anchors. NOTE: Cleat could be secured using combination of Studs and EZ Anchors.


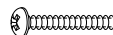
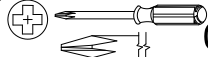


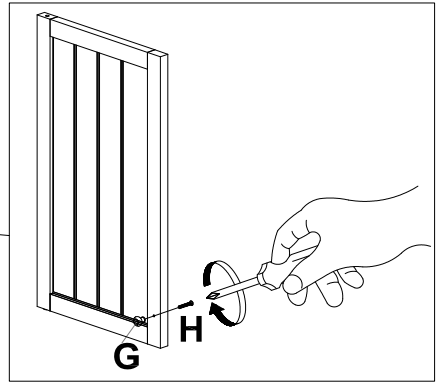
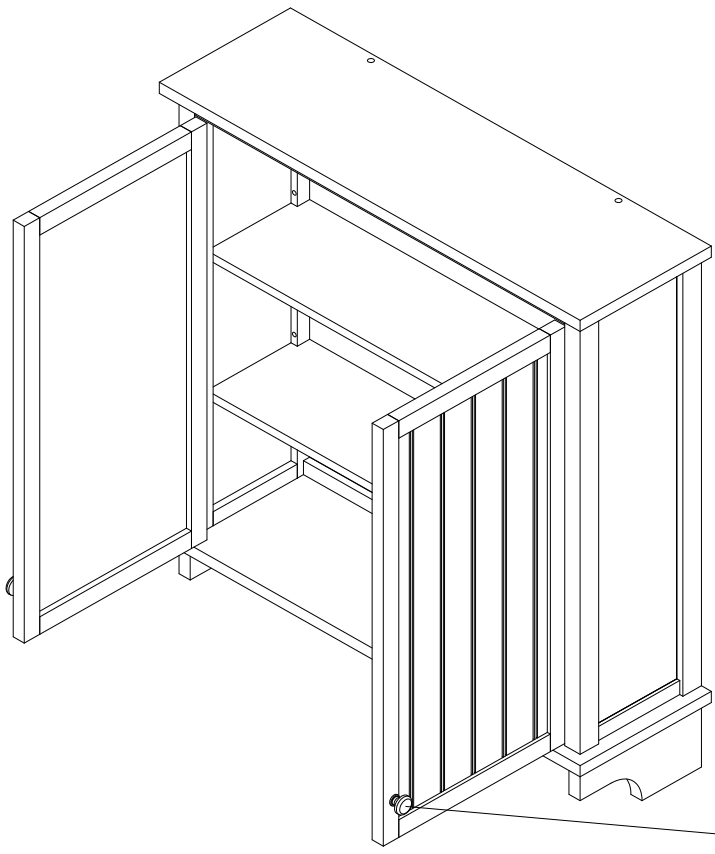
### Step 3

D  08



### Step 4

G  02 H  02  01  
(Not included)



## Step 5

Set Bath Storage Cabinet (A) on French Cleat (B). Secure Bath Storage Cabinet (A) to French Cleat (B) by installing 2 Wood Screws (E).

