

**Dear Customer!**

**If hardware is missing or parts  
get damaged in shipping,  
DO NOT RETURN ENTIRE ITEM.**

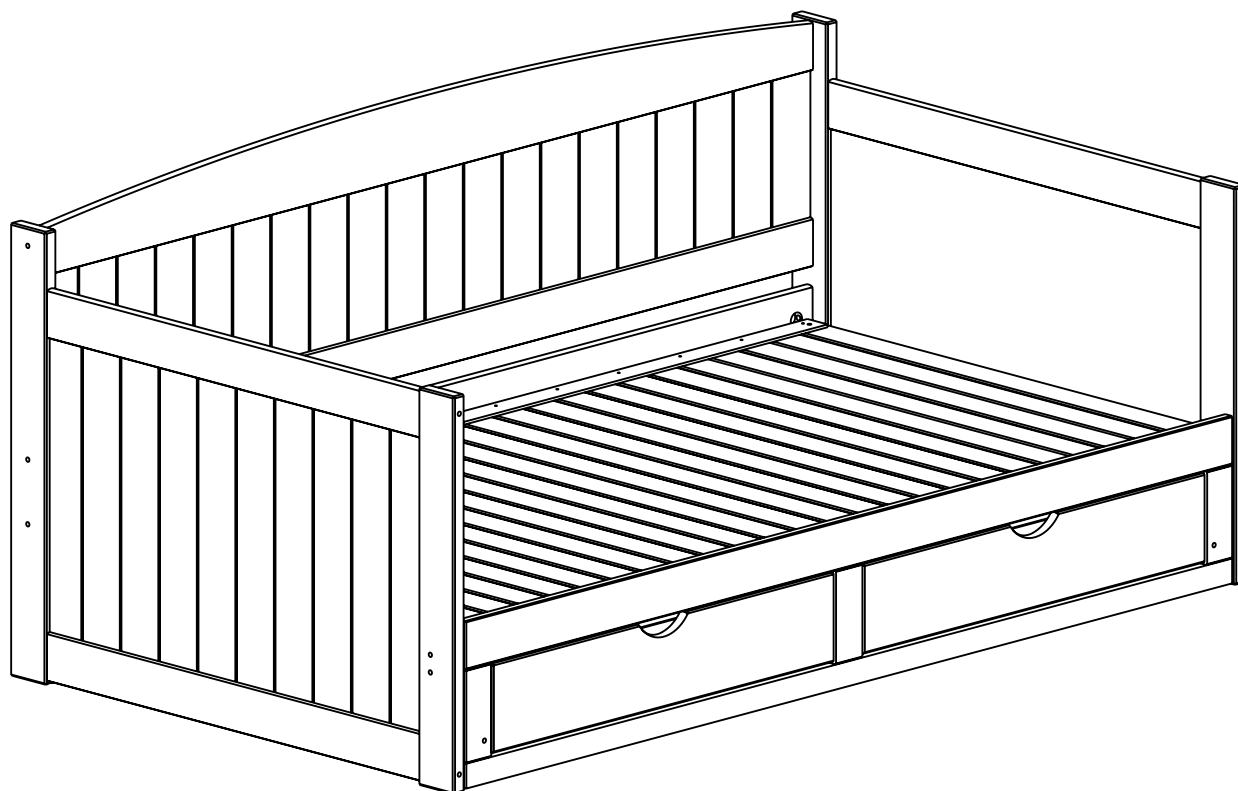
**We can replace hardware and any parts  
Free of Charge.**

**For best Customer Service experience,  
visit our web site at [www.boltonfurniture.com](http://www.boltonfurniture.com)  
click on Replacement Parts Tab  
at top of page to order replacement  
hardware or parts.**

**We will ship replacements directly to you.**

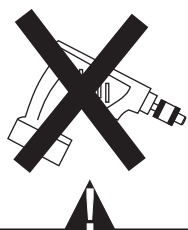
# ASSEMBLY INSTRUCTIONS

## HARMONY DAY BED

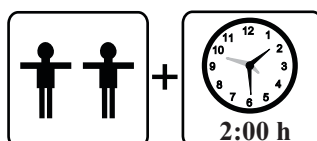


### REPLACEMENT PARTS

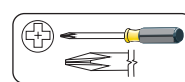
Please do not contact the company purchased from as we can help you faster.  
Order replacement parts and hardware at "[alaterrefurniture.com](http://alaterrefurniture.com)"



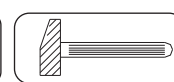
\* Use of power tool to assemble this product will invalidate any claim and damage this product making it unsafe !!!  
\* Please assemble on a clean soft surface to avoid damage.



### Tools Required

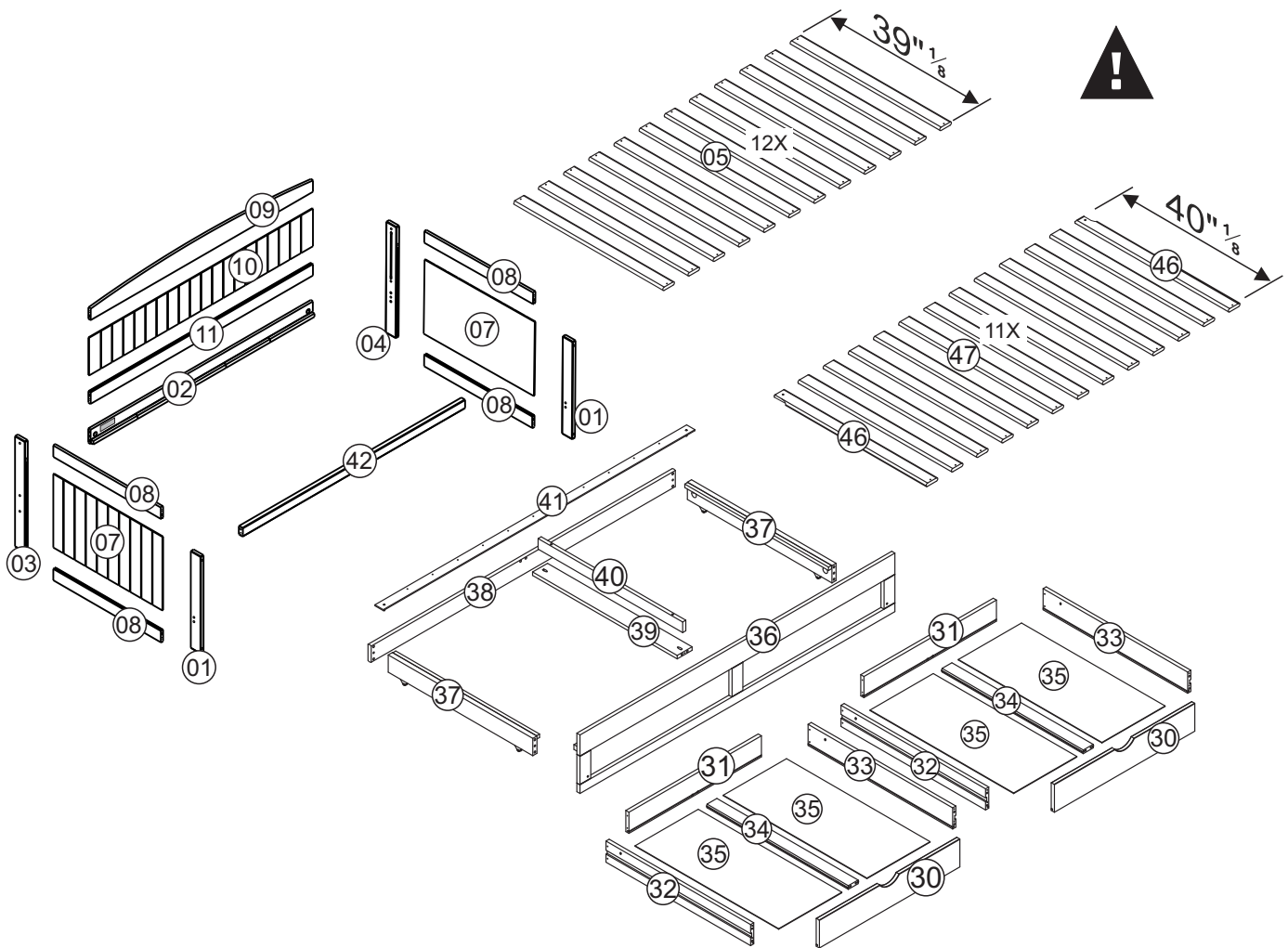


(Not included)

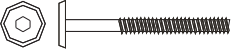


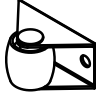



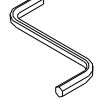
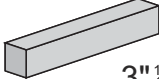



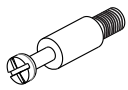


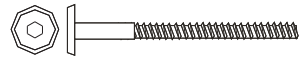




(Not included)

# Part List - Harmony Day Bed




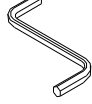
**Identifying the Hardware**-Identify the hardware using the illustrations below.

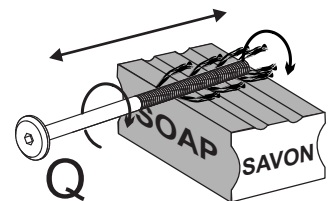
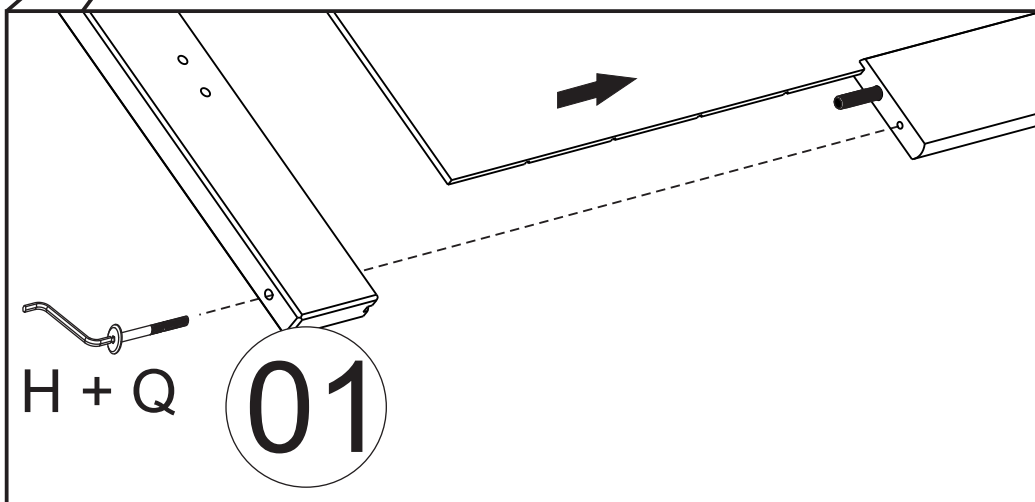
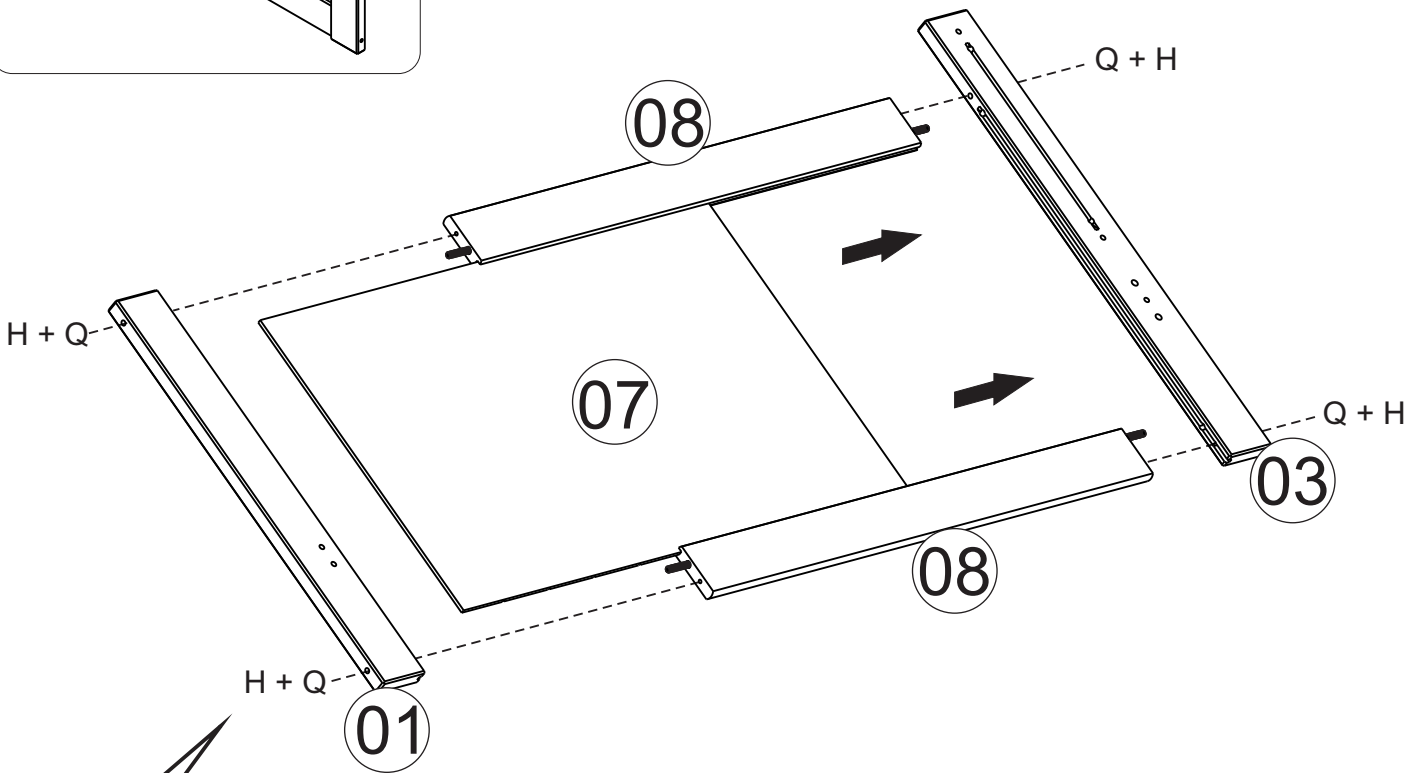
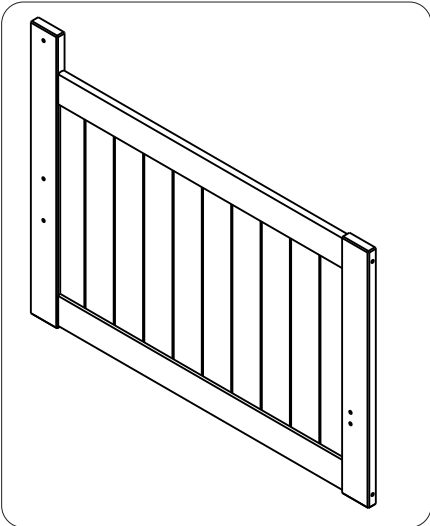
<b>A</b>  <b>08</b> 1/4 x 70 x 17mm	<b>B</b>  <b>06</b>	<b>C</b>  <b>47</b> 4,0 x 35
<b>D</b>  <b>04</b> RD 20	<b>E</b>  <b>16</b> 10X50	<b>F</b>  <b>16</b> 10X40
<b>G</b>  <b>06</b> 7 x 70 x 17mm	<b>H</b>  <b>02</b>	<b>I</b>  <b>02</b> 3" 1/4
<b>K</b>  <b>02</b> 1/4	<b>L</b>  <b>16</b> 8X35	<b>M</b>  <b>02</b> 4,5 x 60
<b>N</b>  <b>08</b>	<b>O</b>  <b>21</b> 4,0 x 20	<b>P</b>  <b>02</b> 6,0 x 45
<b>Q</b>  <b>08</b> 7,0 x 120 X 17	<b>R</b>  <b>02</b>	<b>S</b>  <b>08</b>



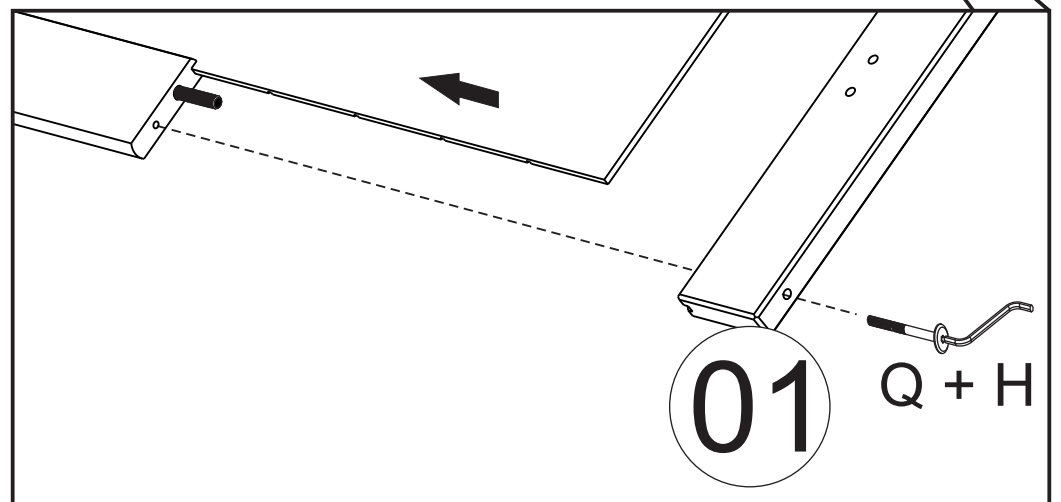
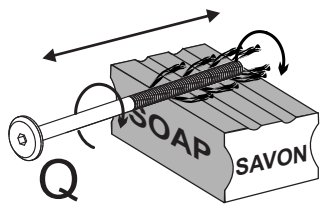
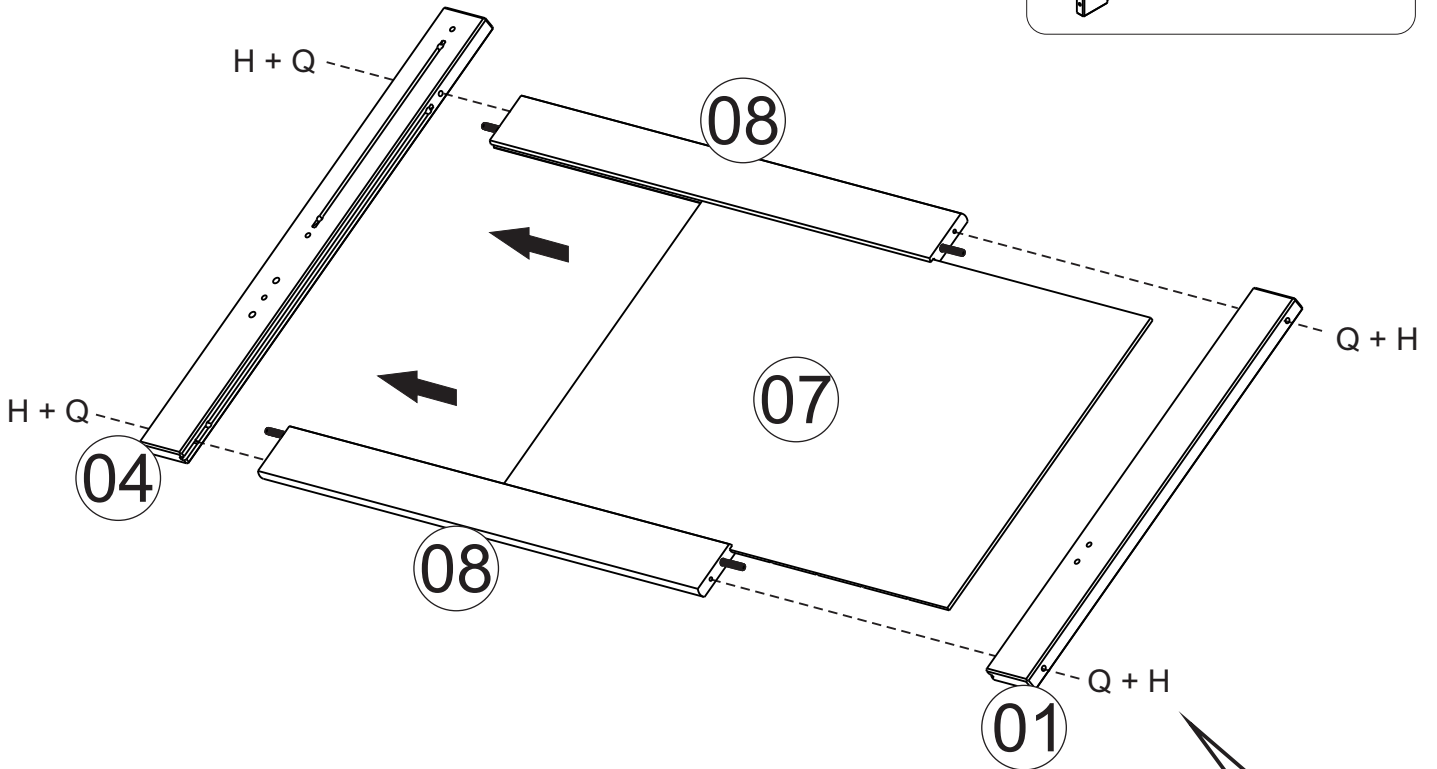
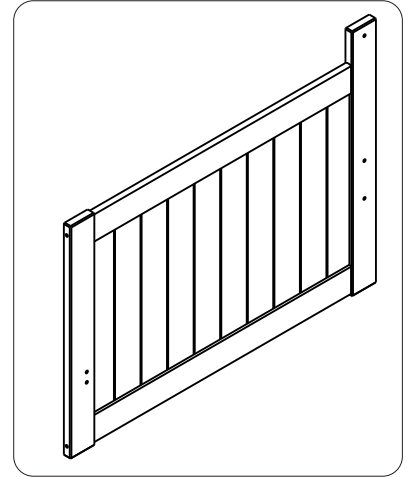
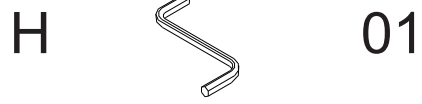
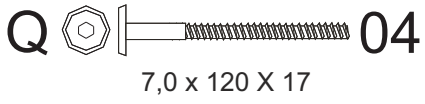
# 02

Q  04  
7,0 x 120 X 17

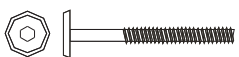
H  01



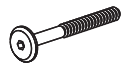
# 03

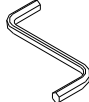


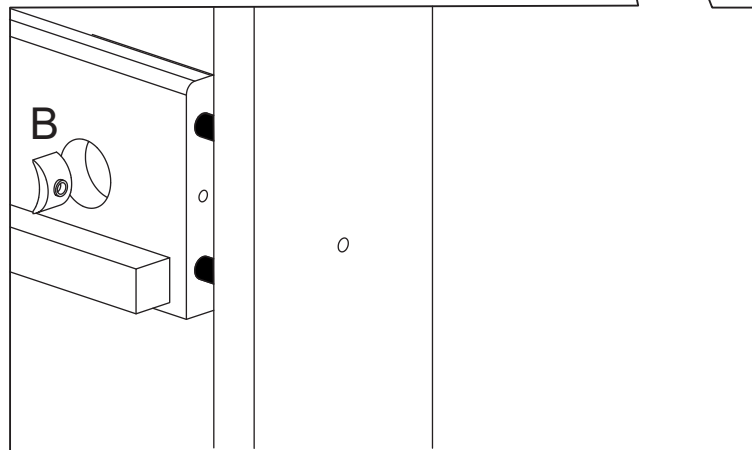
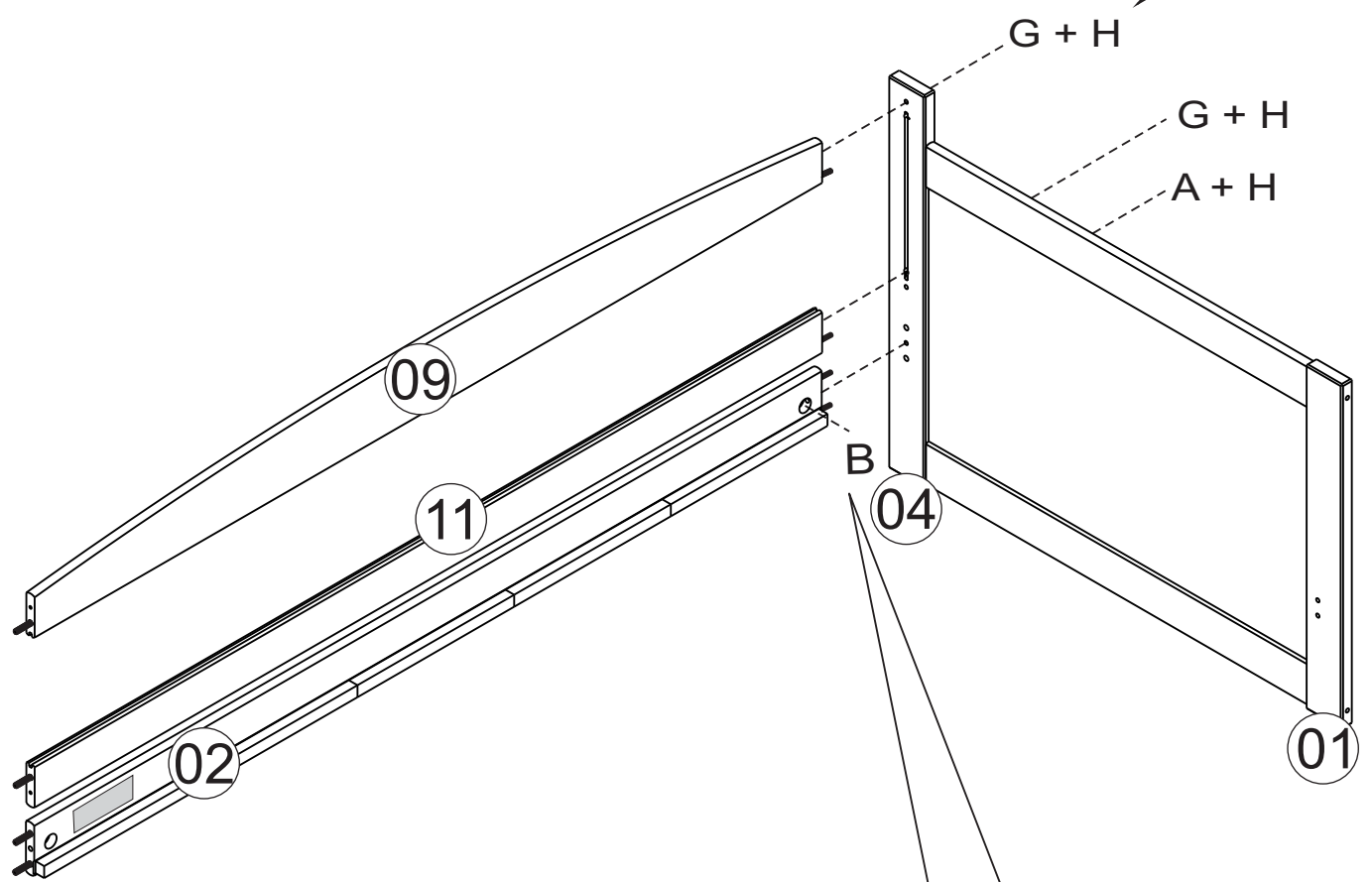
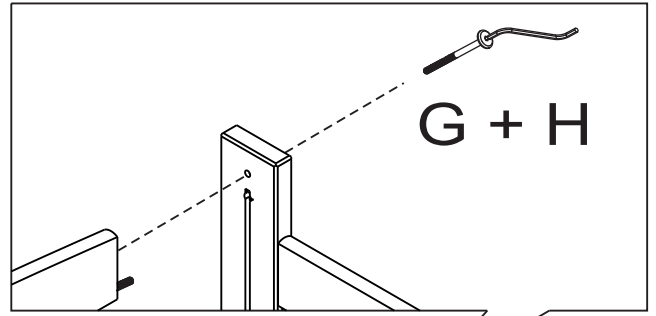
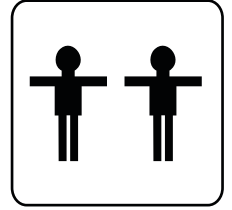
# 04

**A**  **01**  
1/4 x 70 x 17mm

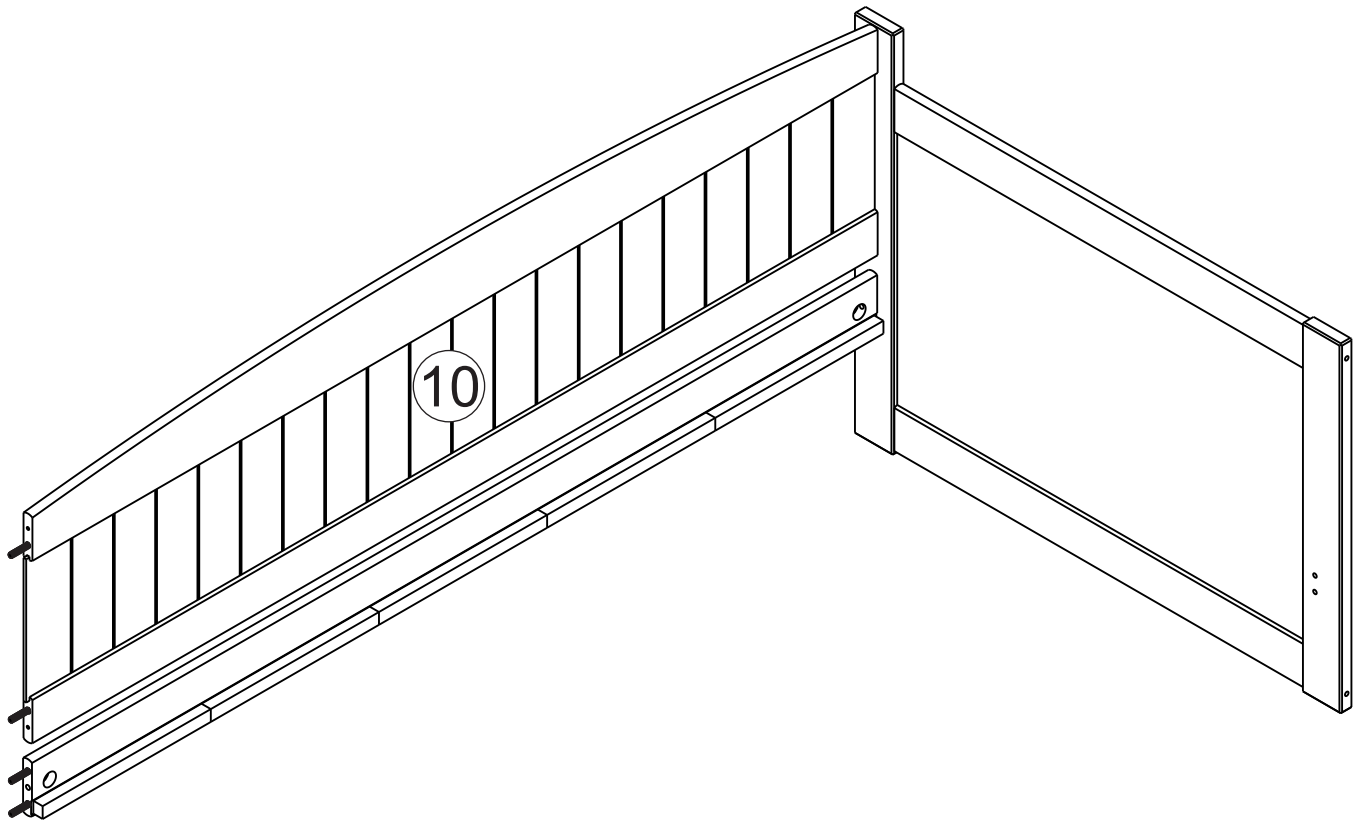
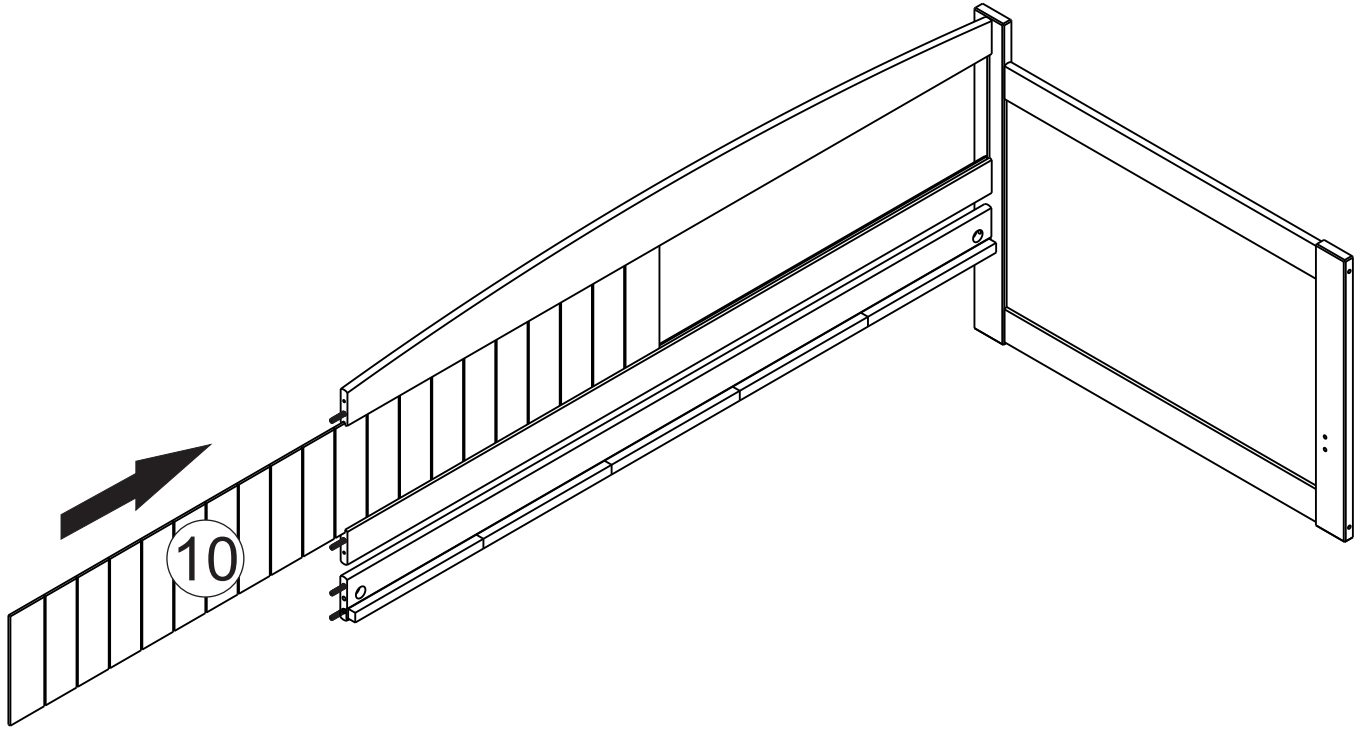
**B**  **01**

**G**  **02**  
7 x 70 x 17mm

**H**  **01**

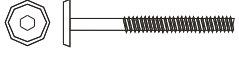


# 05

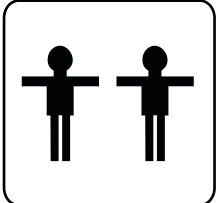


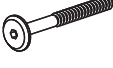


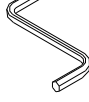
# 06

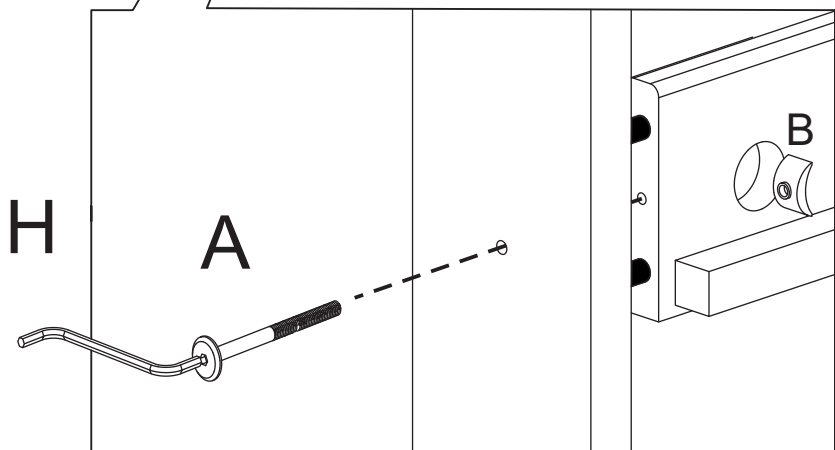
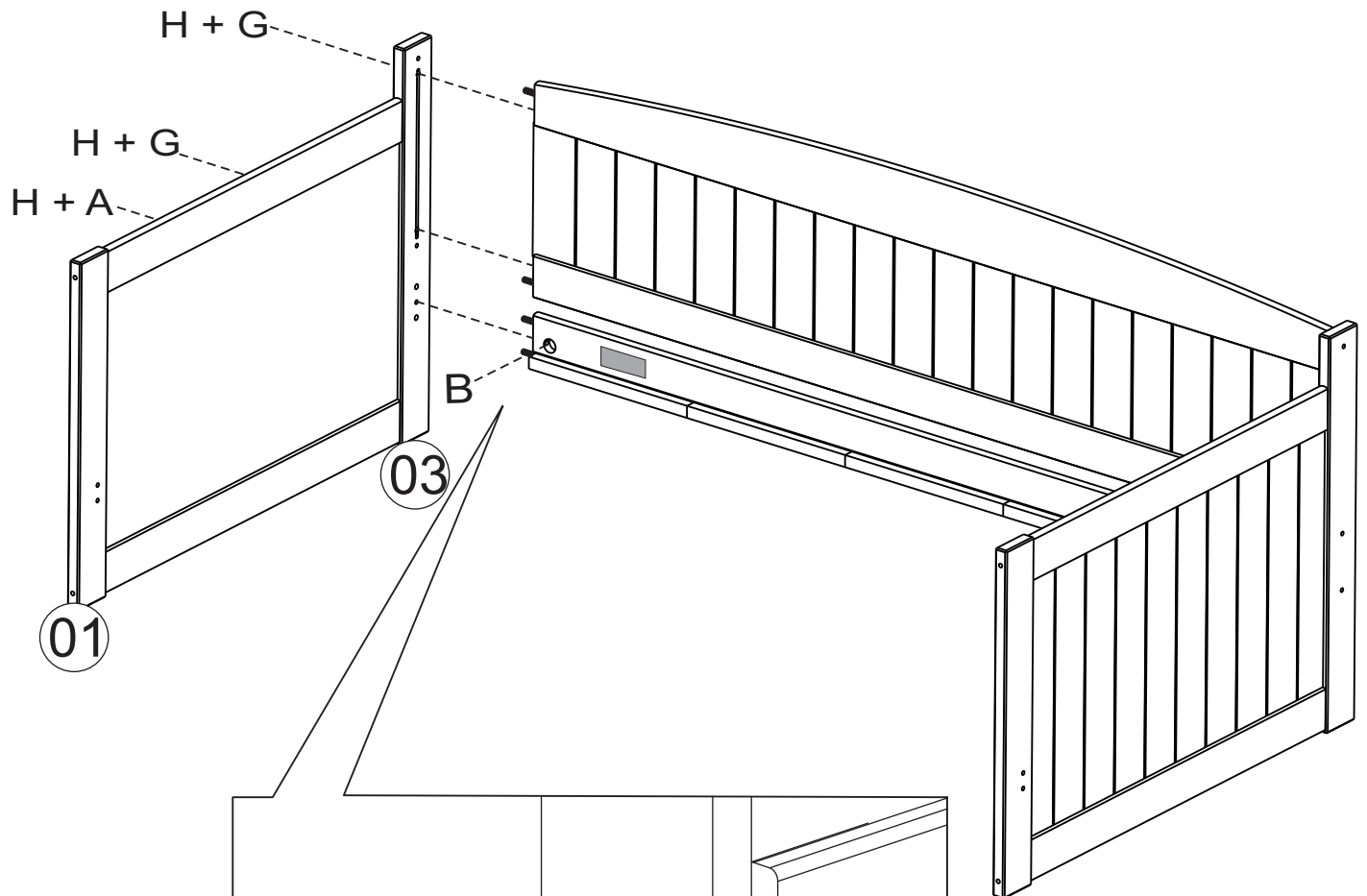
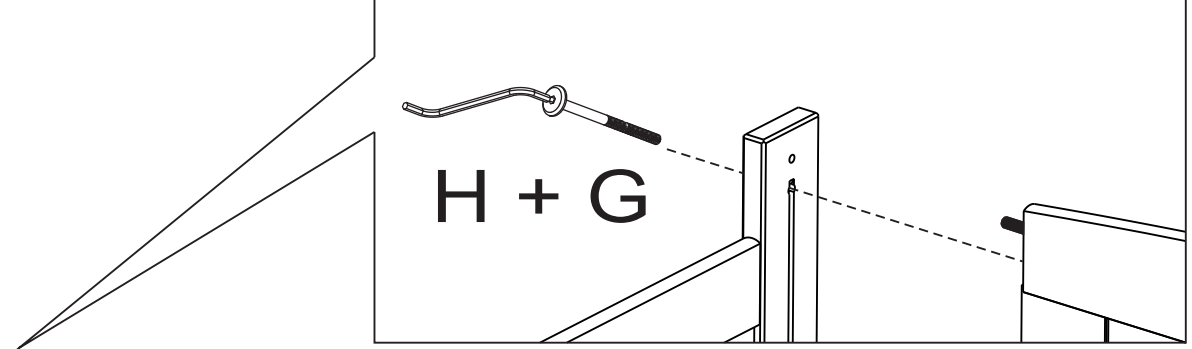
**A**  **01**  
1/4 x 70 x 17mm

**B**  **01**

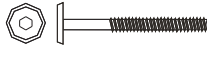



**G**  **02**  
7 x 70 x 17mm

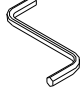
**H**  **01**



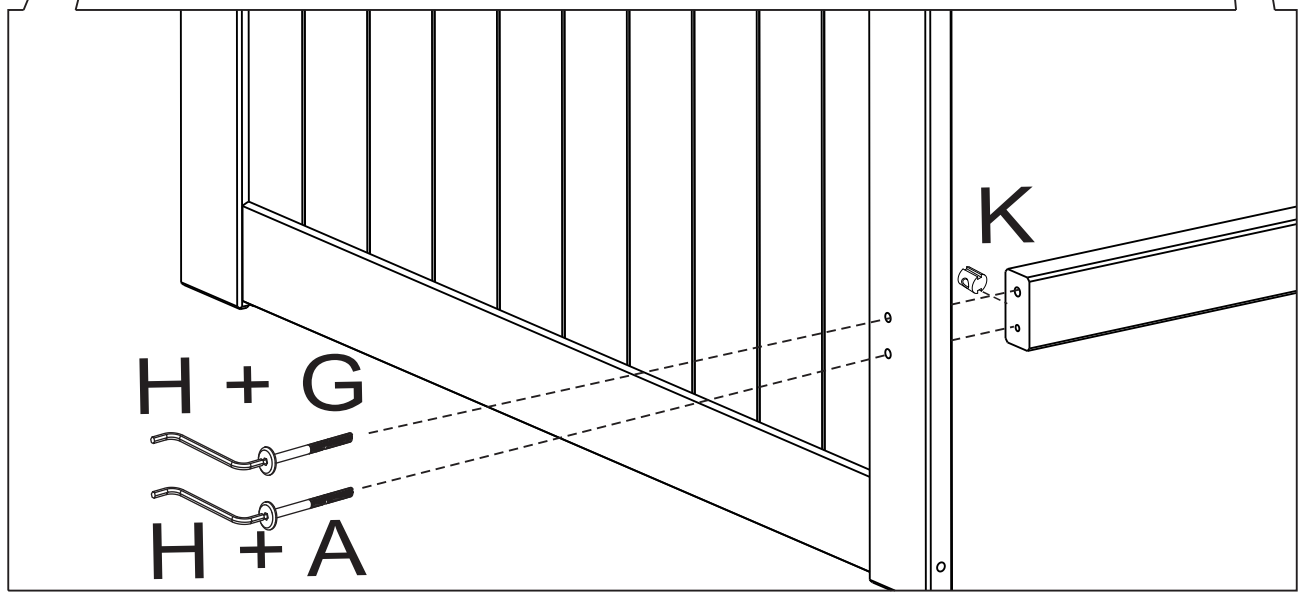
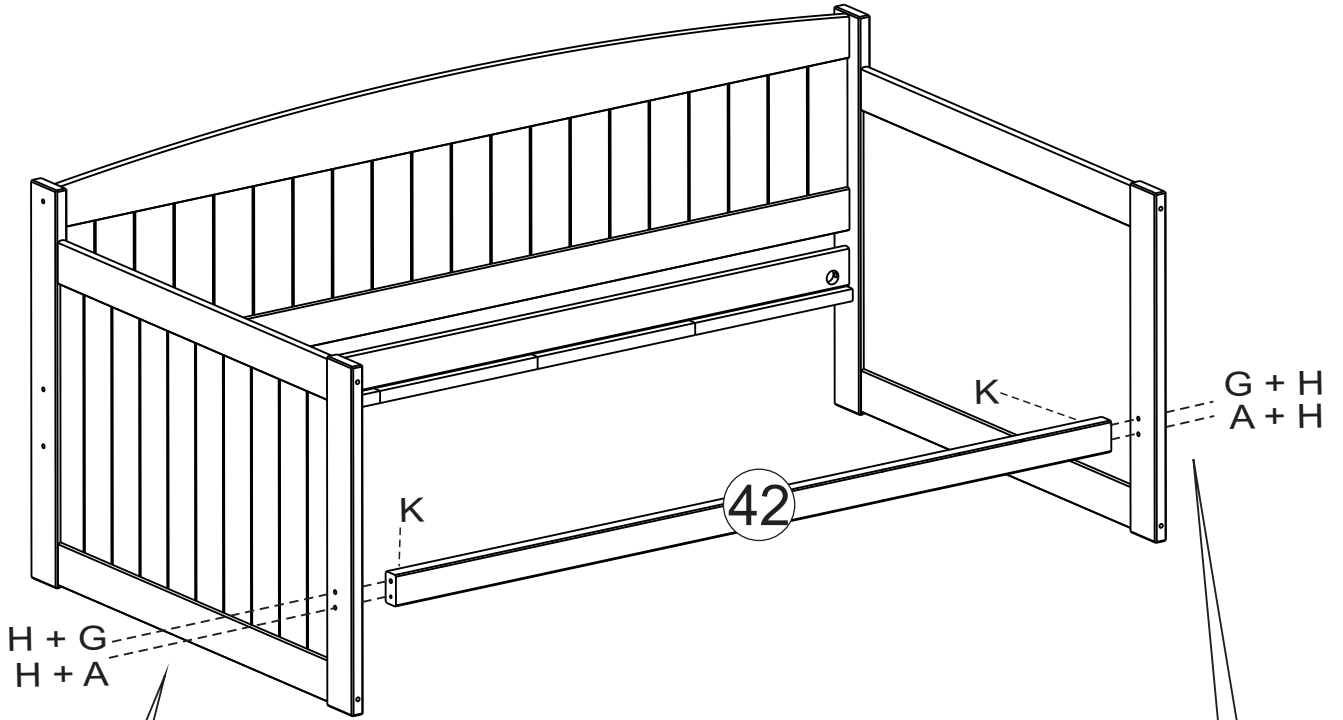
# 07

**A**  **02**  
1/4 x 70 x 17mm



**G**  **02**  
7 x 70 x 17mm

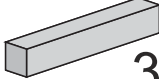
**H**  **01**

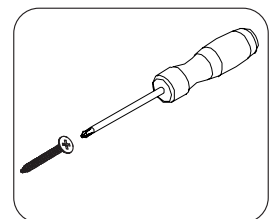
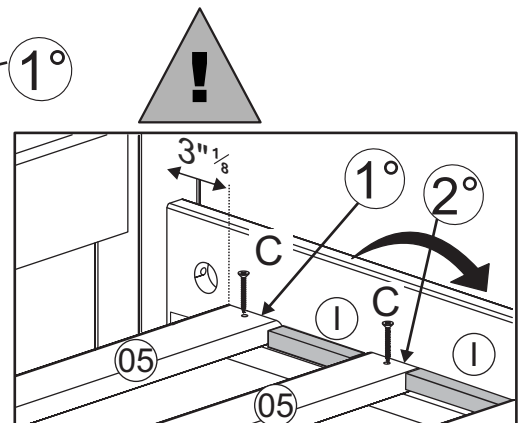
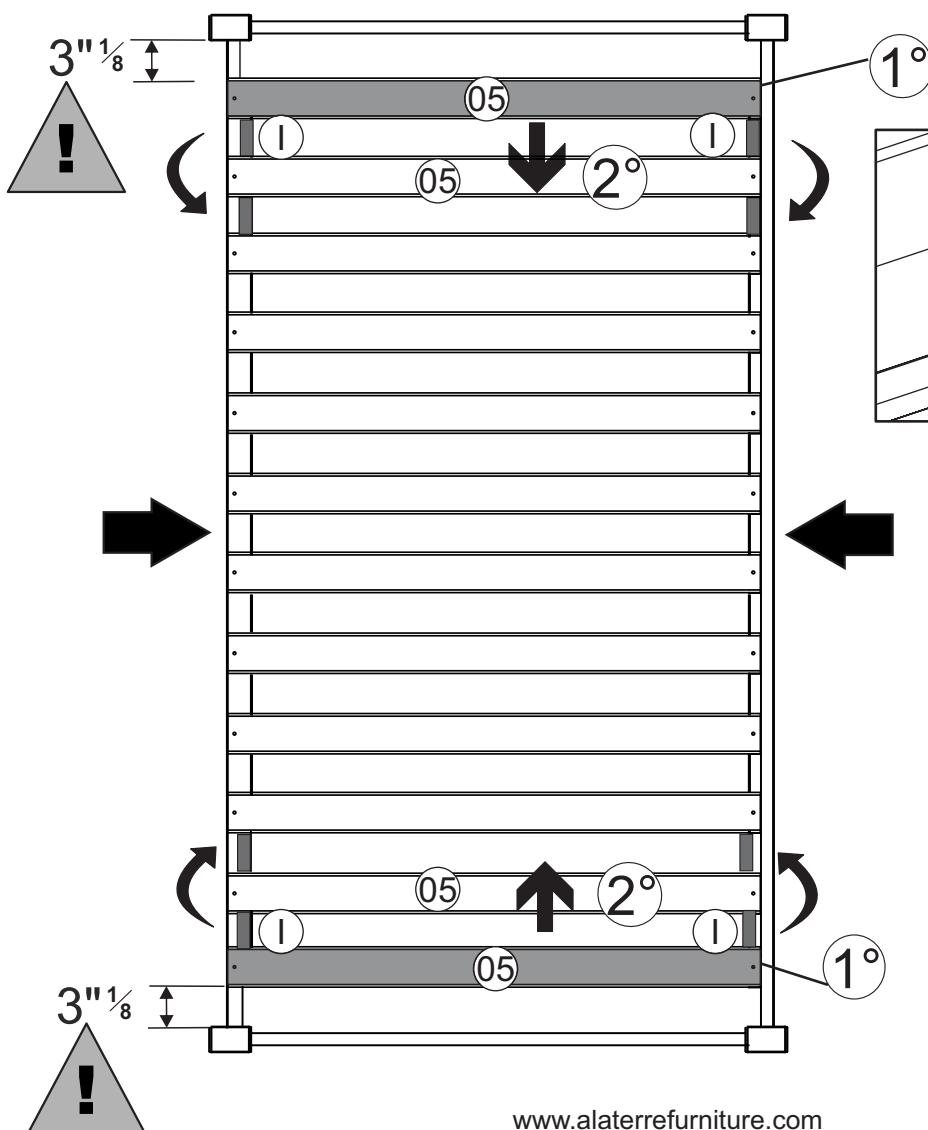
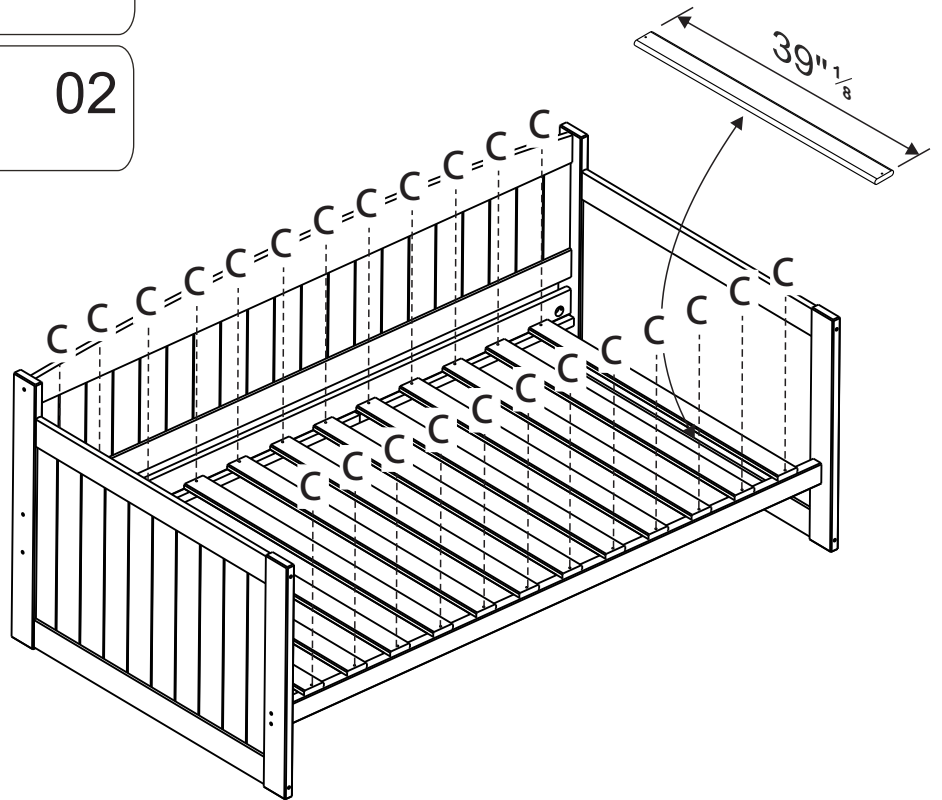
**K**  **02**  
1/4

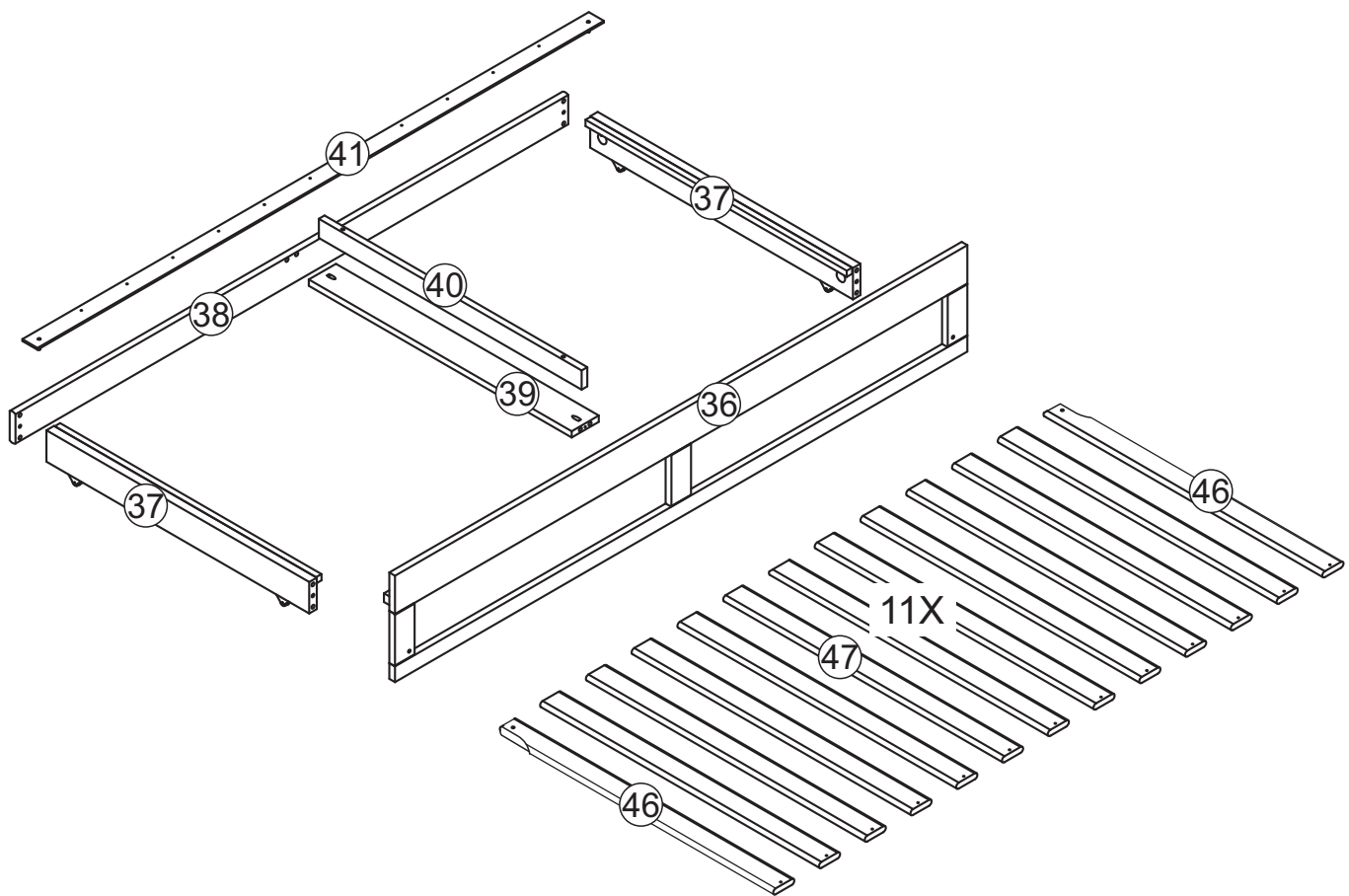


# 08

**C**   **24**  
4,0 x 35

**I**  **02**  
3" <sup>1</sup>/<sub>4</sub>





**09**

D



RD 20

04

F



10X40

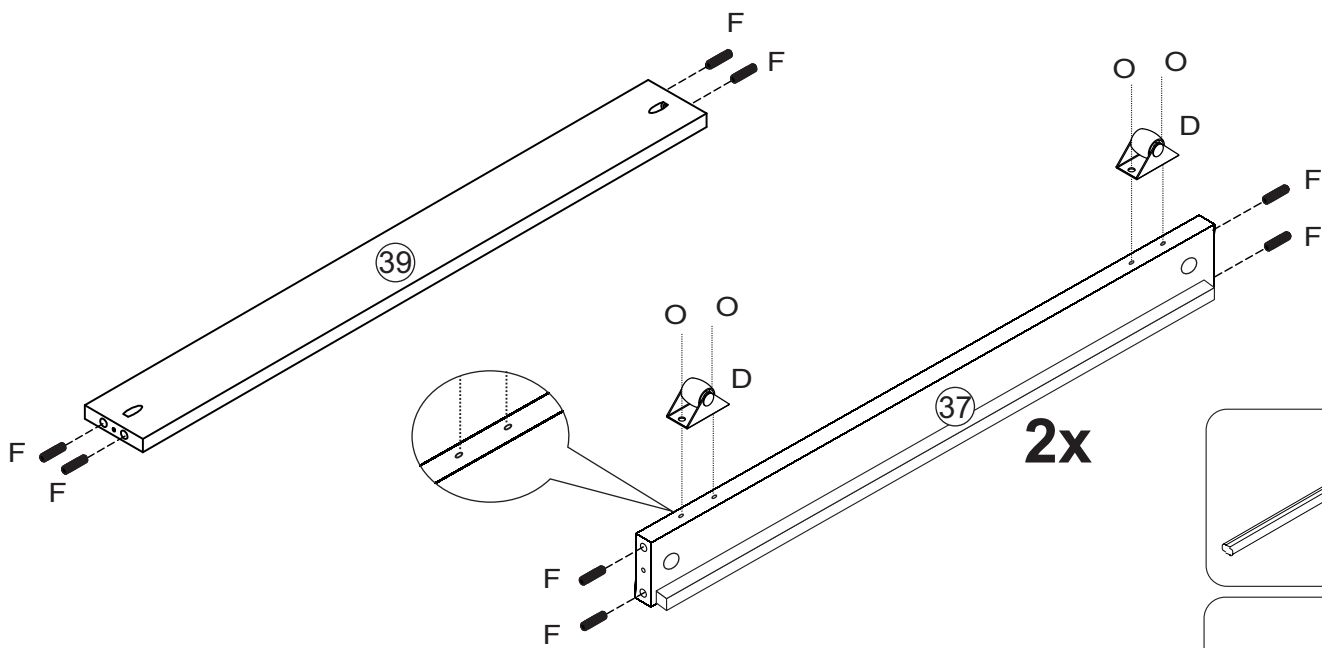
12

O




4,0 x 20


08




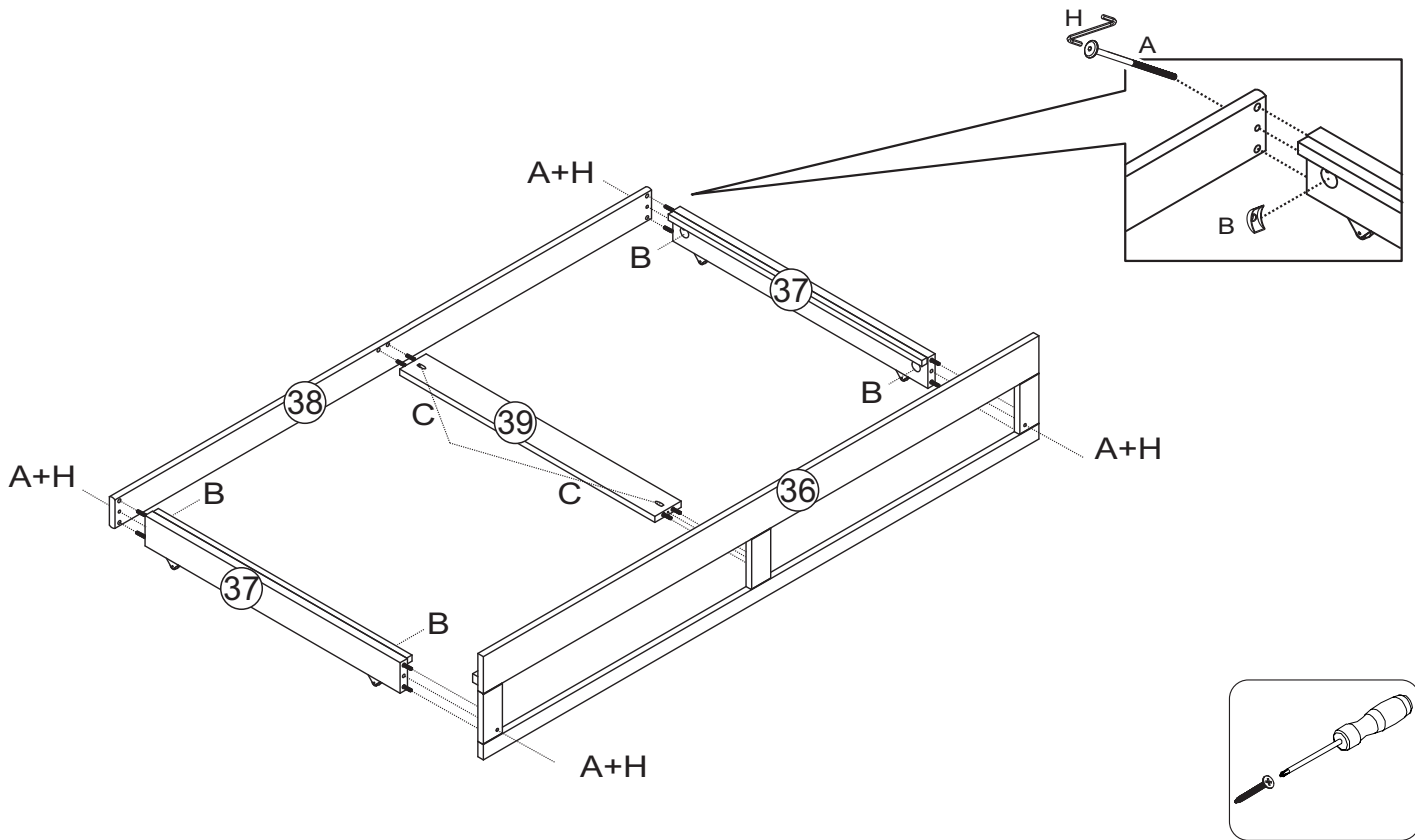
# 10

A  04  
1/4 x 70 x 17mm


B  04

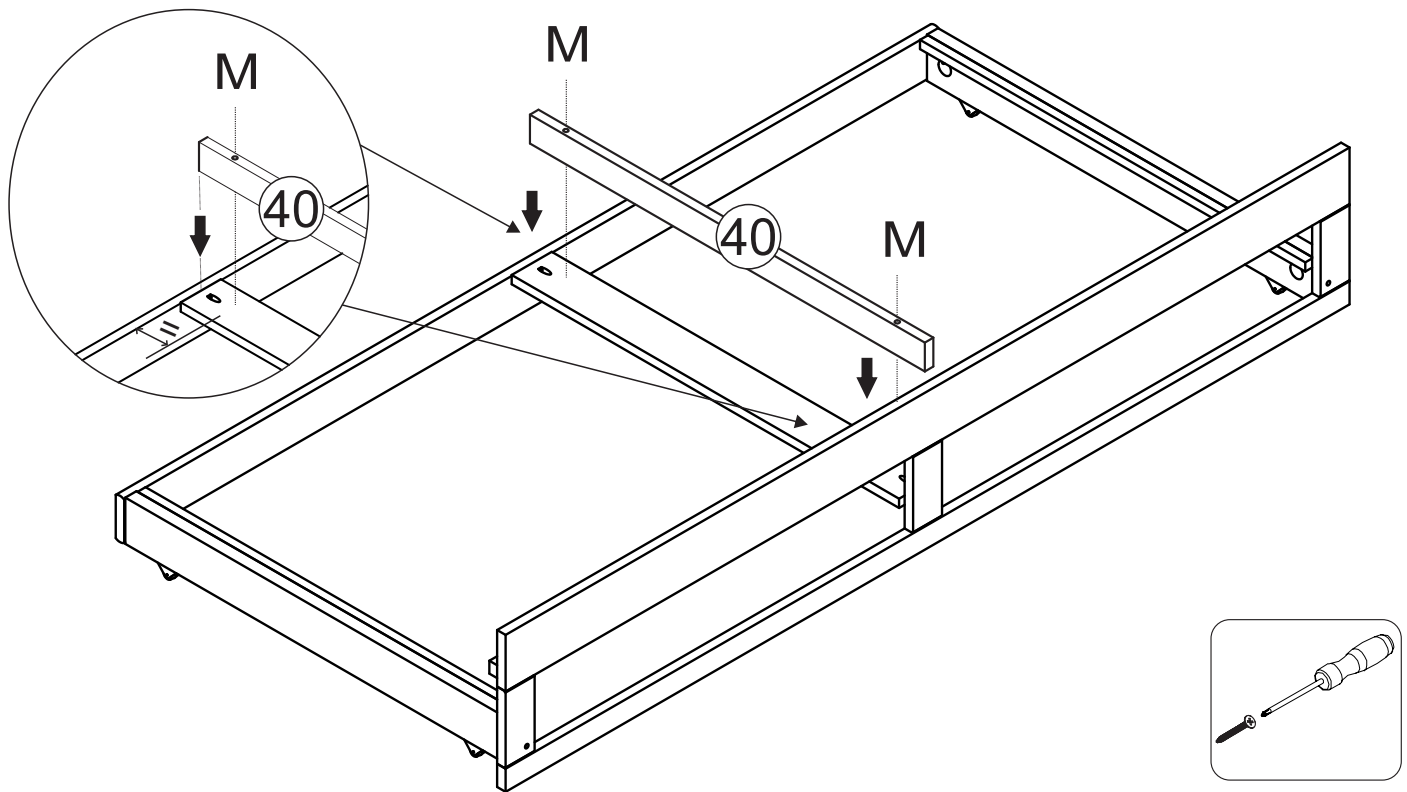
C  02  
4.0 x 35

H  01



# 11

M  02  
4,5 x 60



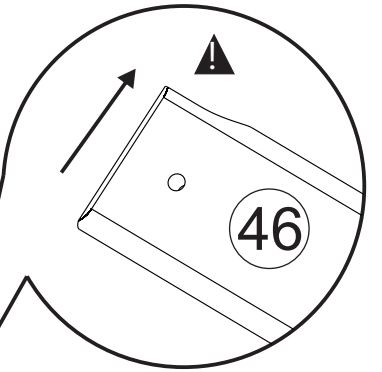
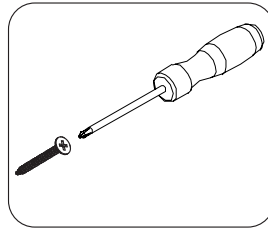
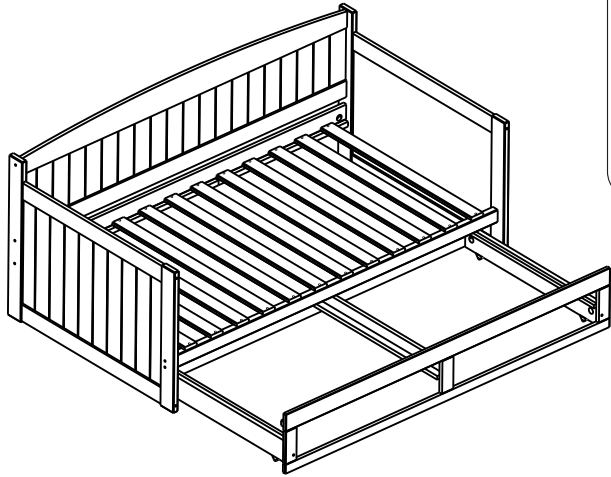
# 12

C

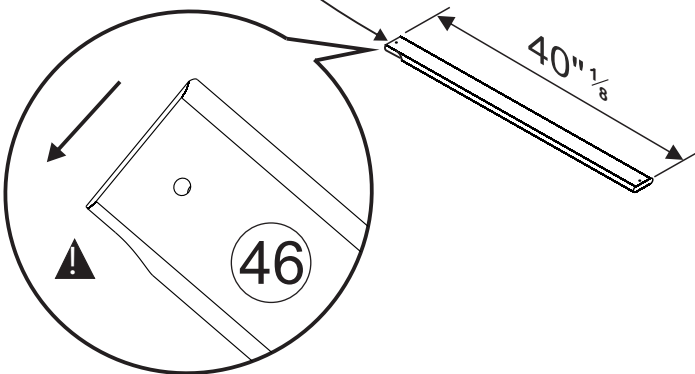
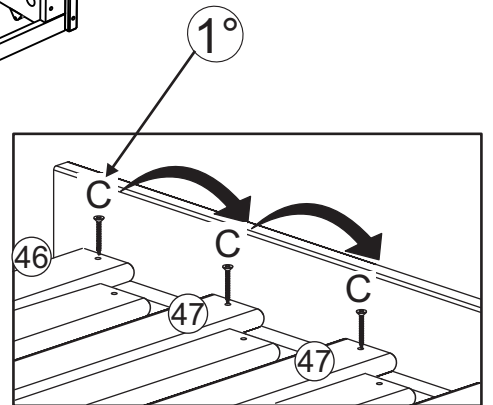
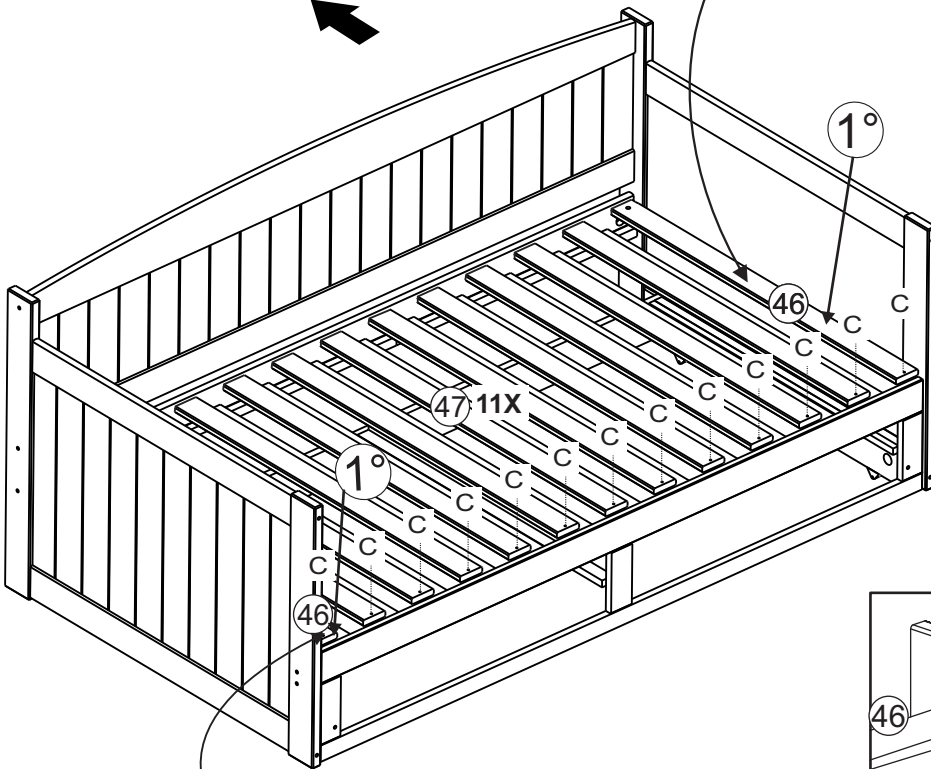


4,0 x 35

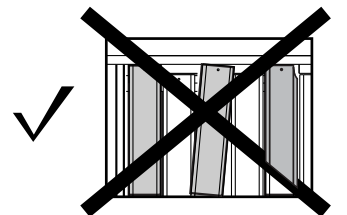
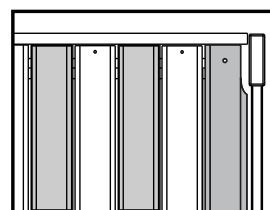
13



40"  $\frac{1}{8}$

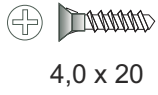


40"  $\frac{1}{8}$



# 13

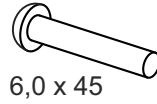
O



4,0 x 20

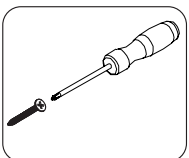
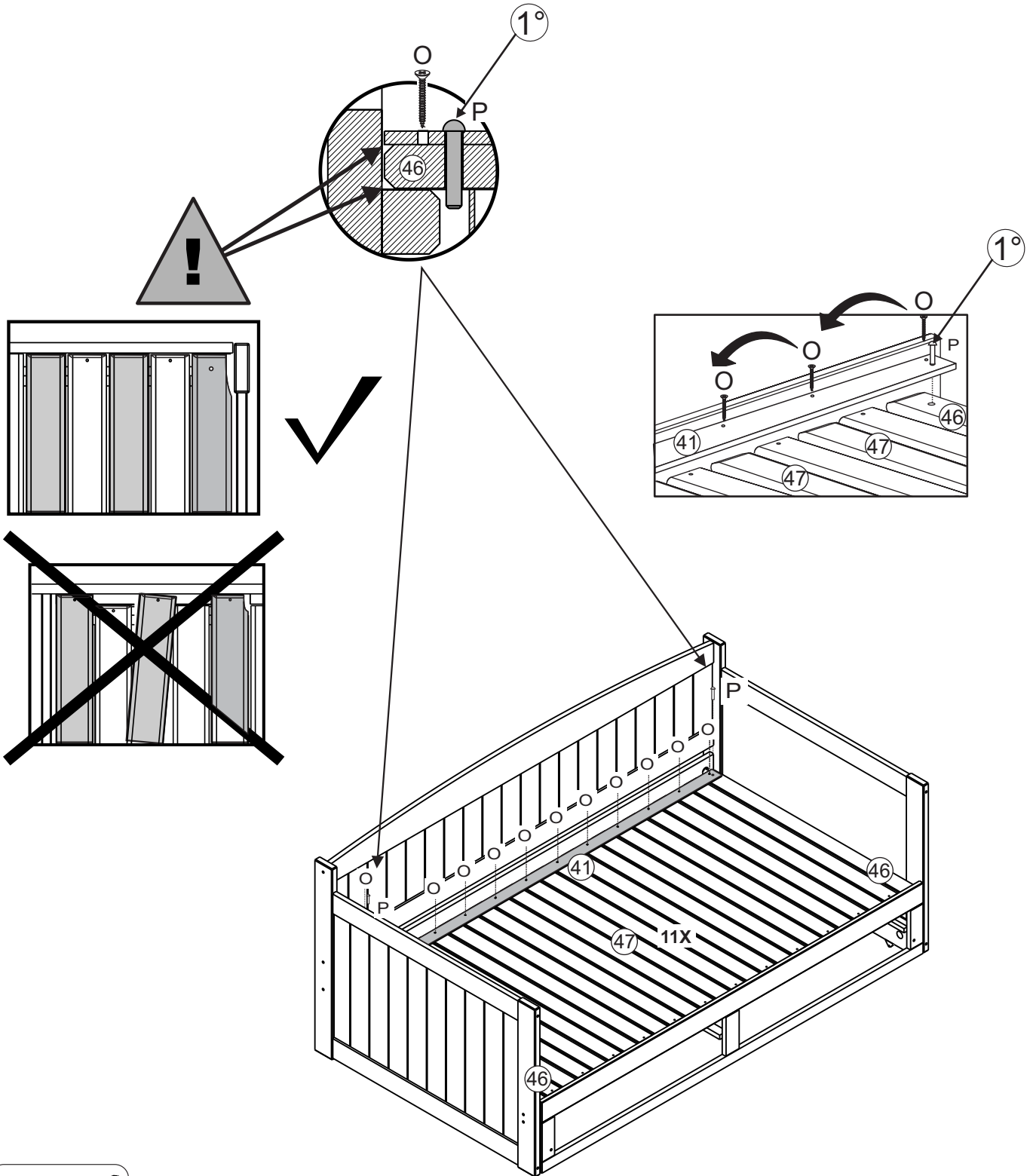
13

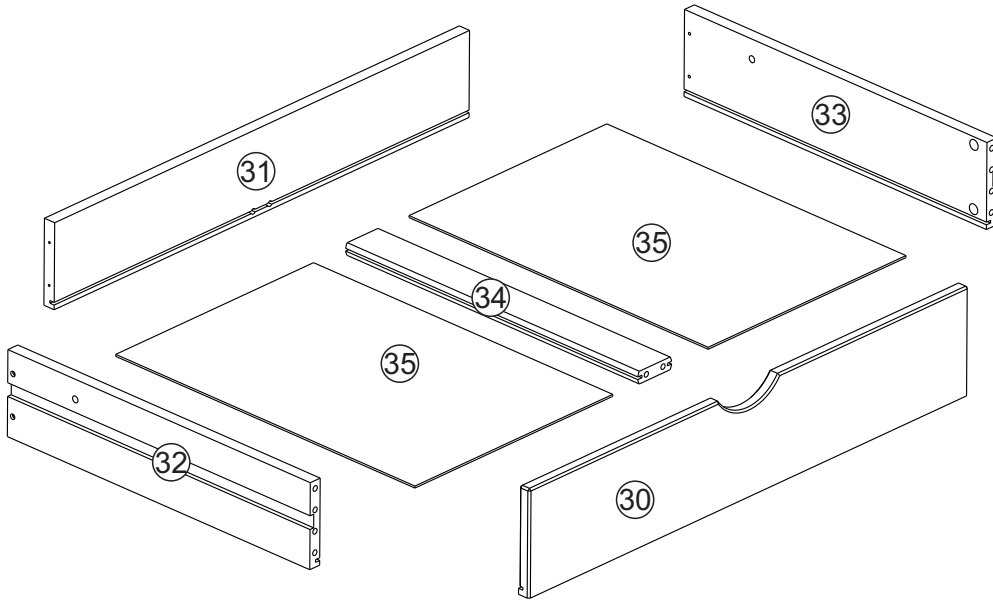
P



6,0 x 45

02

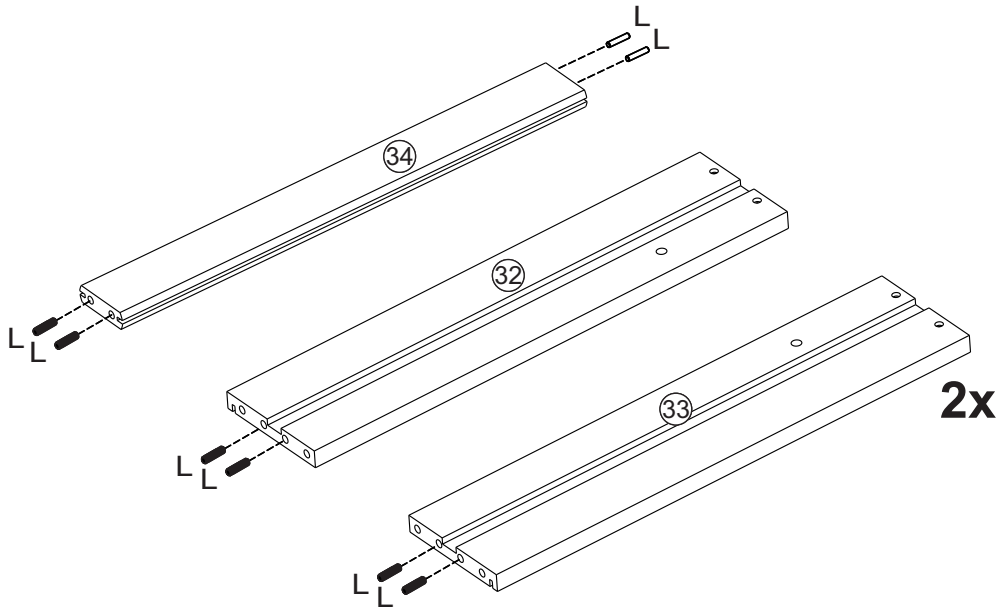





**2x**


**14**

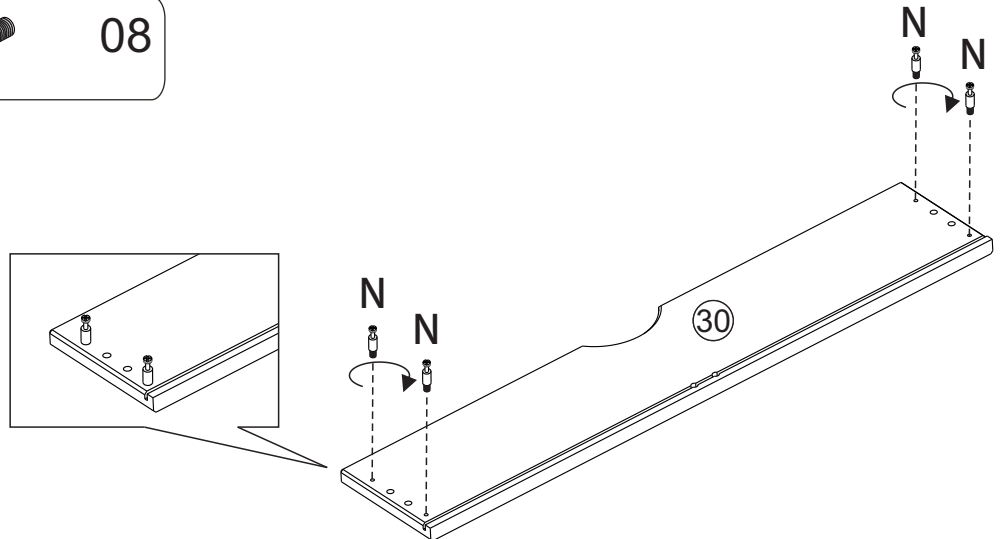
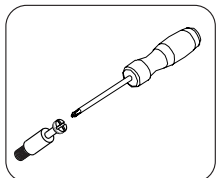
L		16	R		01
---	---	----	---	---	----



 irreversible operation

**15**

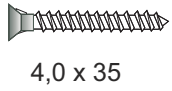
N		08
---	---	----





# 16

C

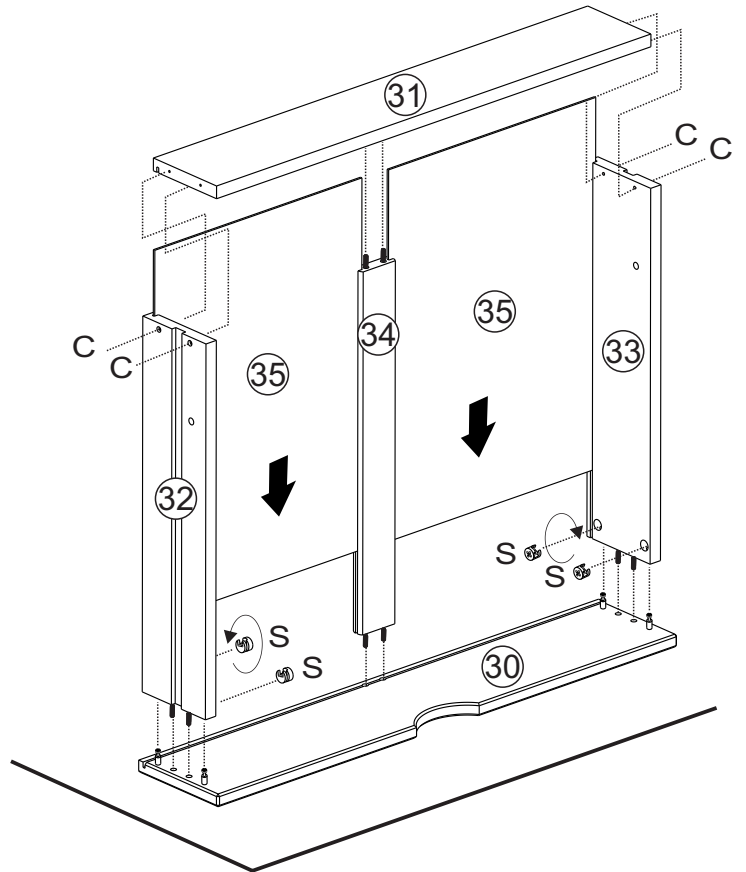
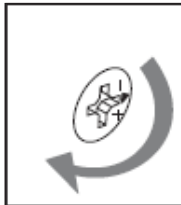
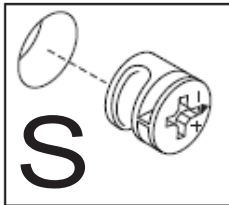
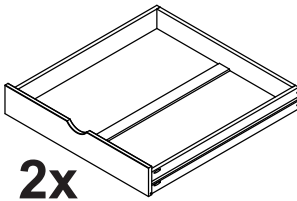
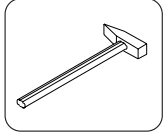
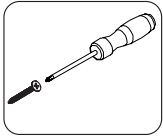


08

S

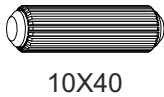


08



# 17

F



04

10X40

