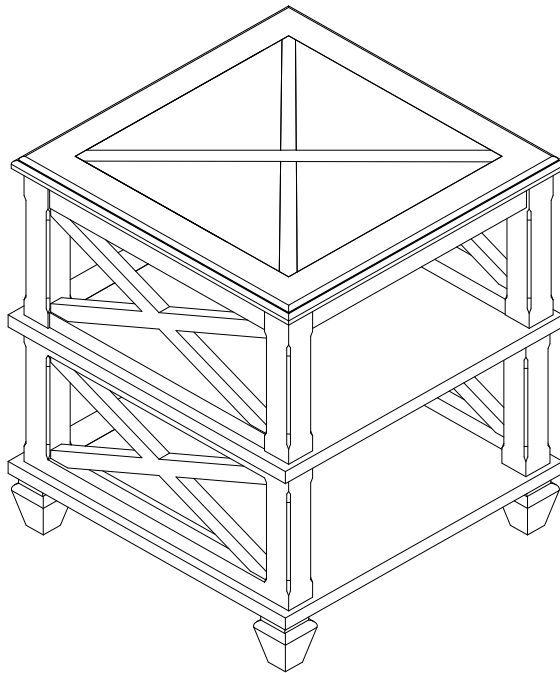


ASSEMBLY INSTRUCTIONS

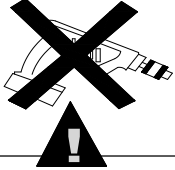
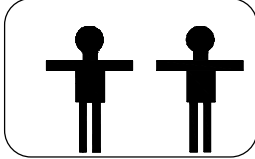
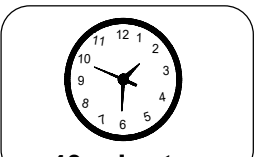
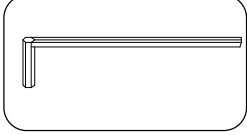
2 SHELF SIDE TABLE



REPLACEMENT PARTS

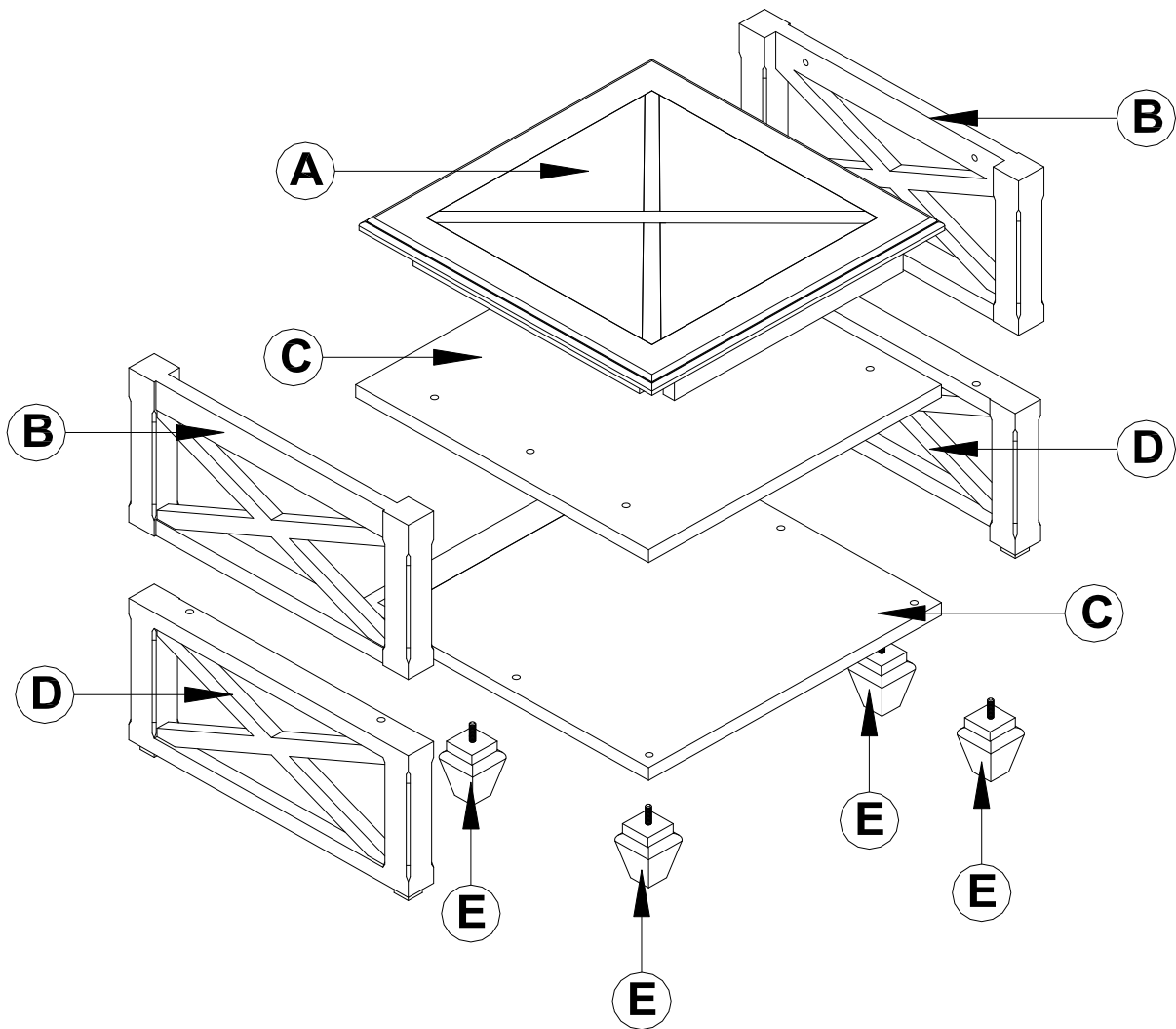
Please do not contact the company purchased from as we can help you faster.

Order replacement parts and hardware at "boltonfurniture.com"

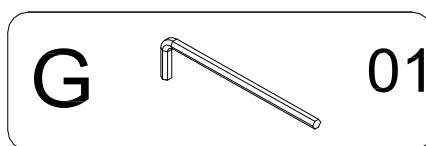
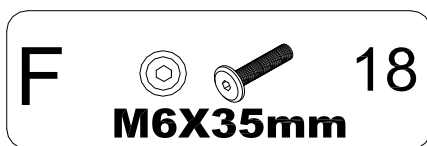
 <p>. Use of power tool to assemble this product will invalidate any claim and damage this product making it unsafe!!!</p> <p>. Please assemble on a clean soft surface to avoid damage.</p>	 <p>+</p>  <p>40 minutes</p>	<p><u>Tool Included</u></p> 
---	---	--

www.boltonfurniture.com

Part List-2 Shelf Side Table

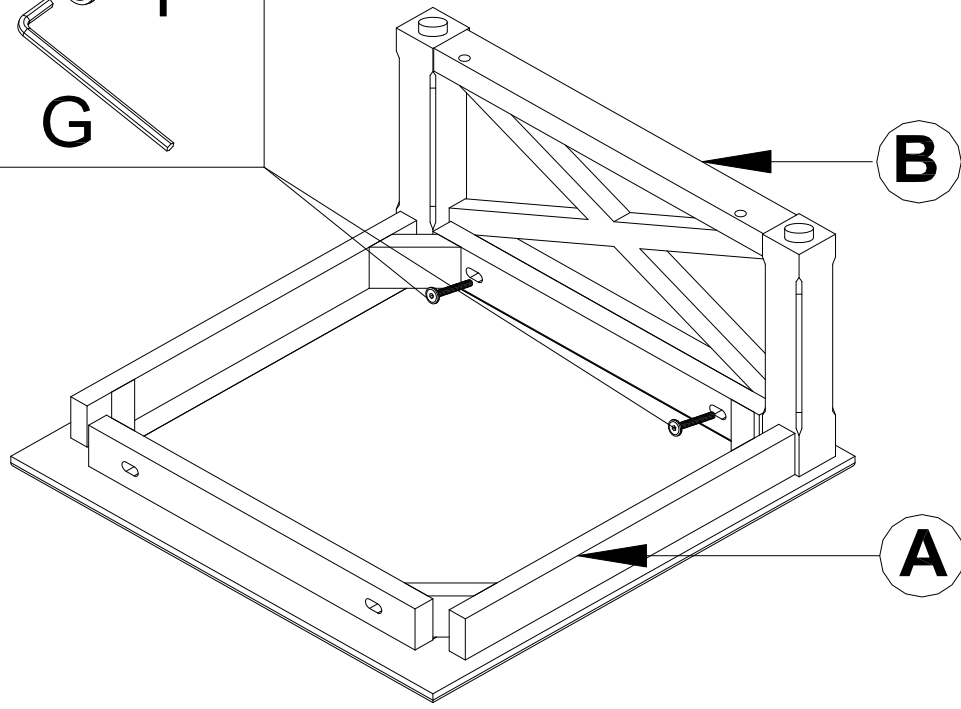
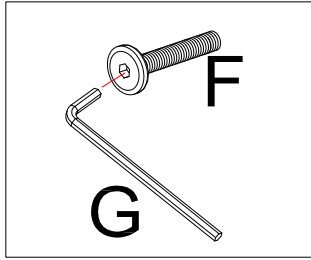
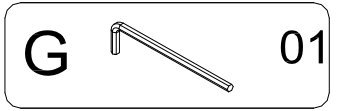


Identifying the hardware-Identify the hardware using the illustrations below.

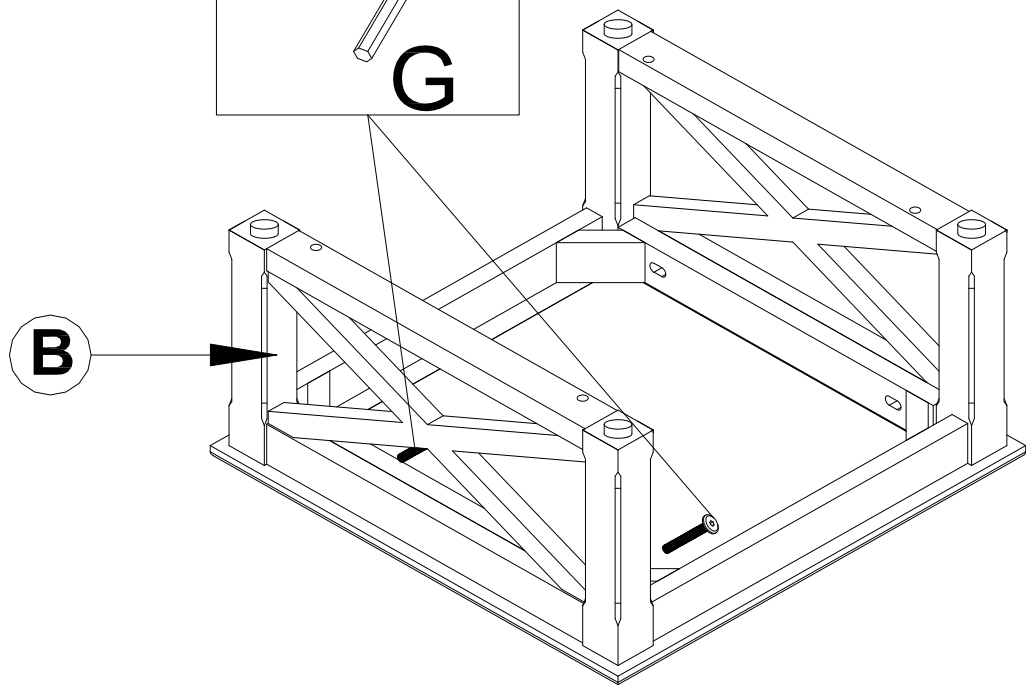
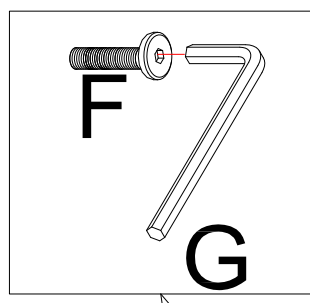
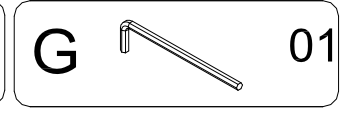


www.boltonfurniture.com

STEP 1

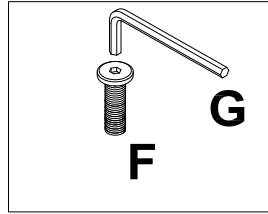


STEP 2



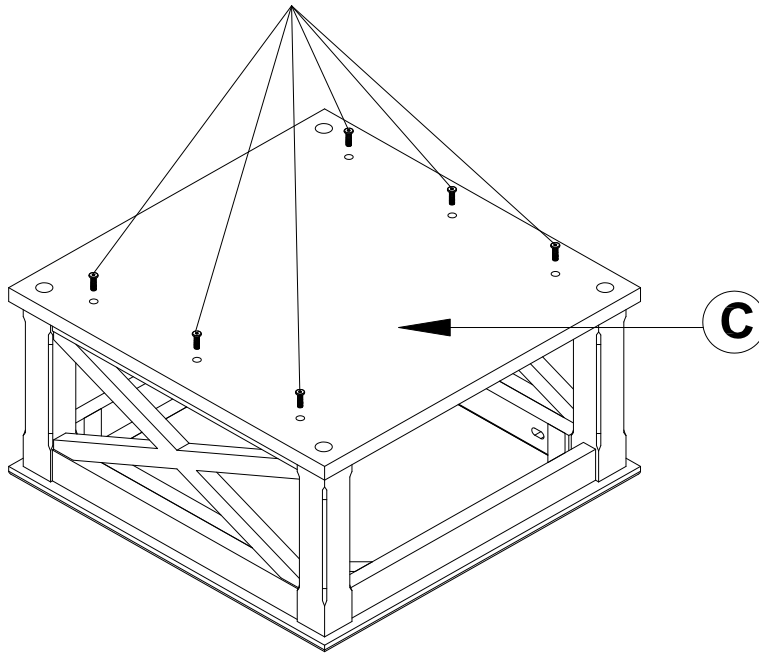
www.boltonfurniture.com

STEP 3

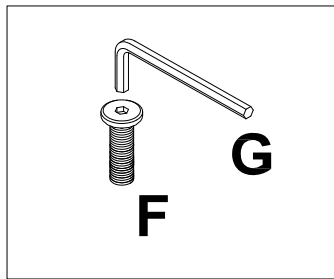


F  **06**
M6X35mm


G  **01**

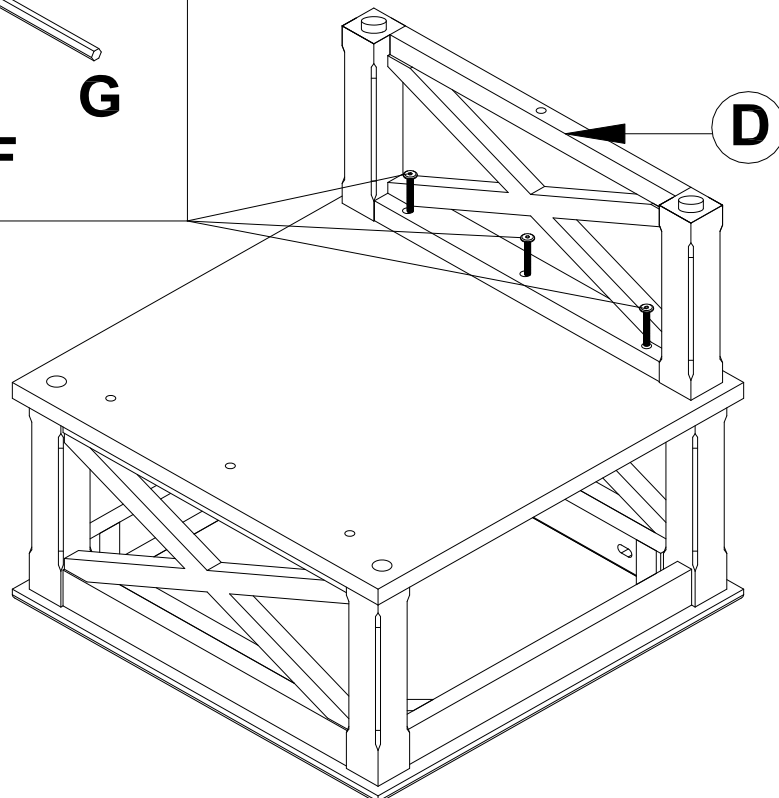


STEP 4



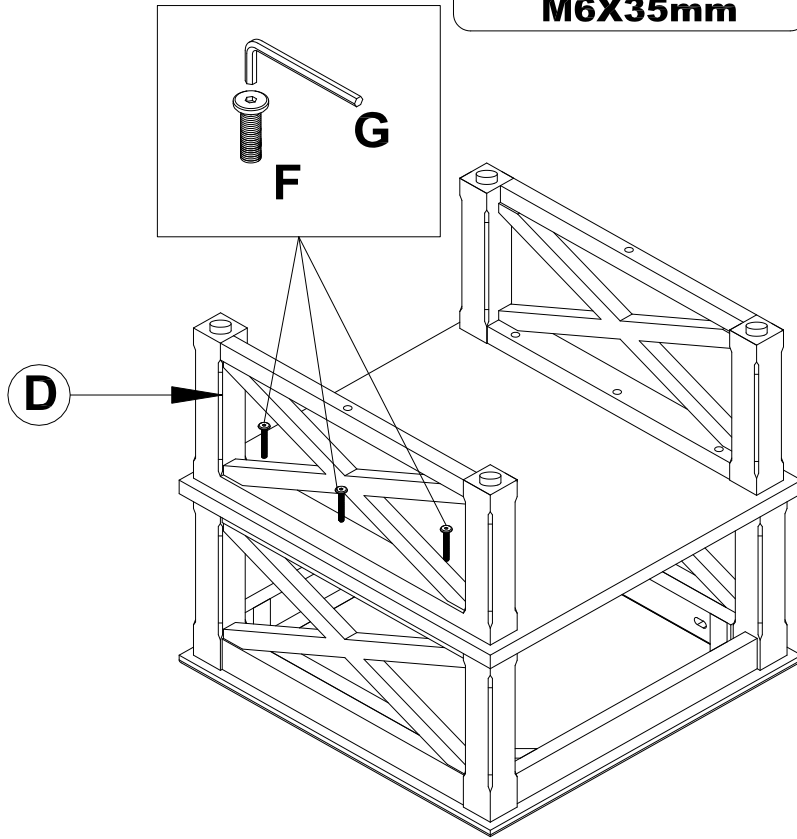
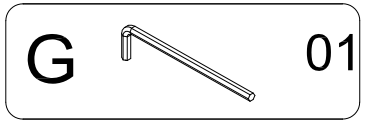
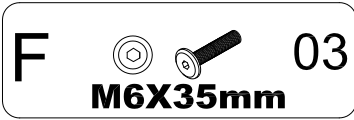
F  **03**
M6X35mm

G  **01**

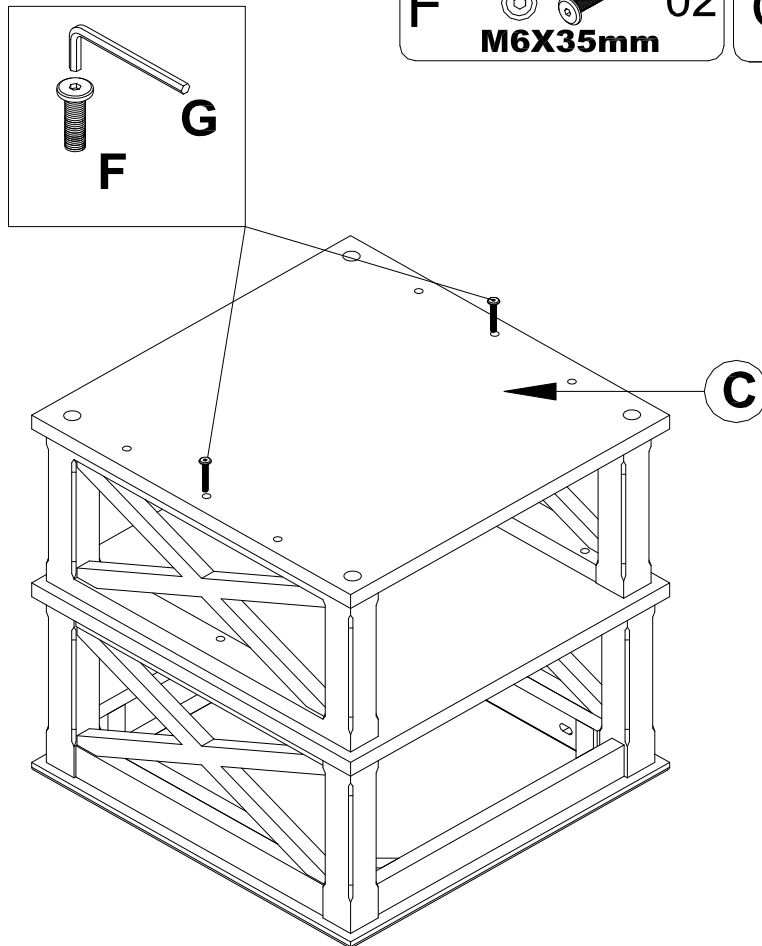
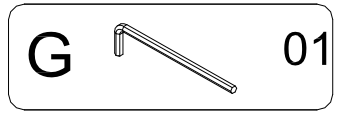
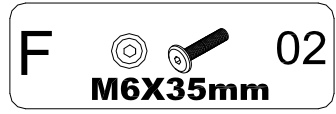


www.boltonfurniture.com

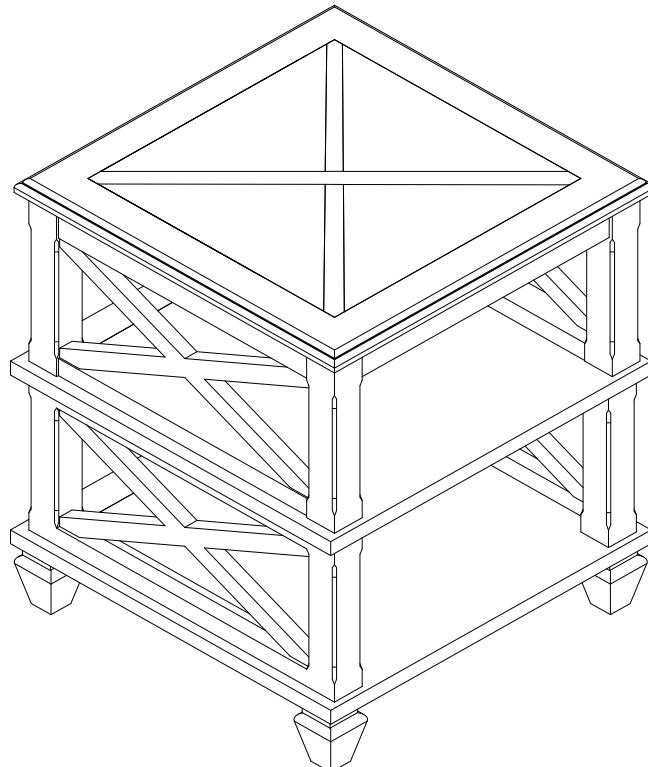
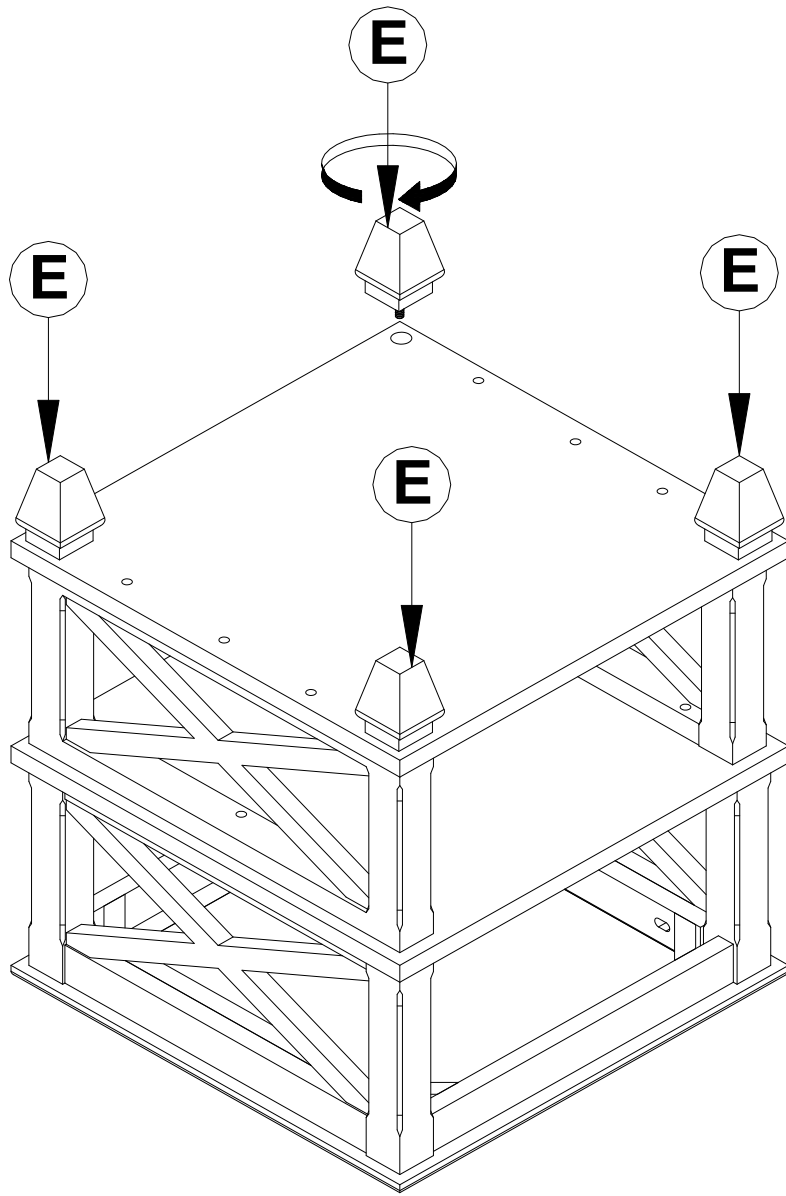
STEP 5



STEP 6



STEP 7



www.boltonfurniture.com