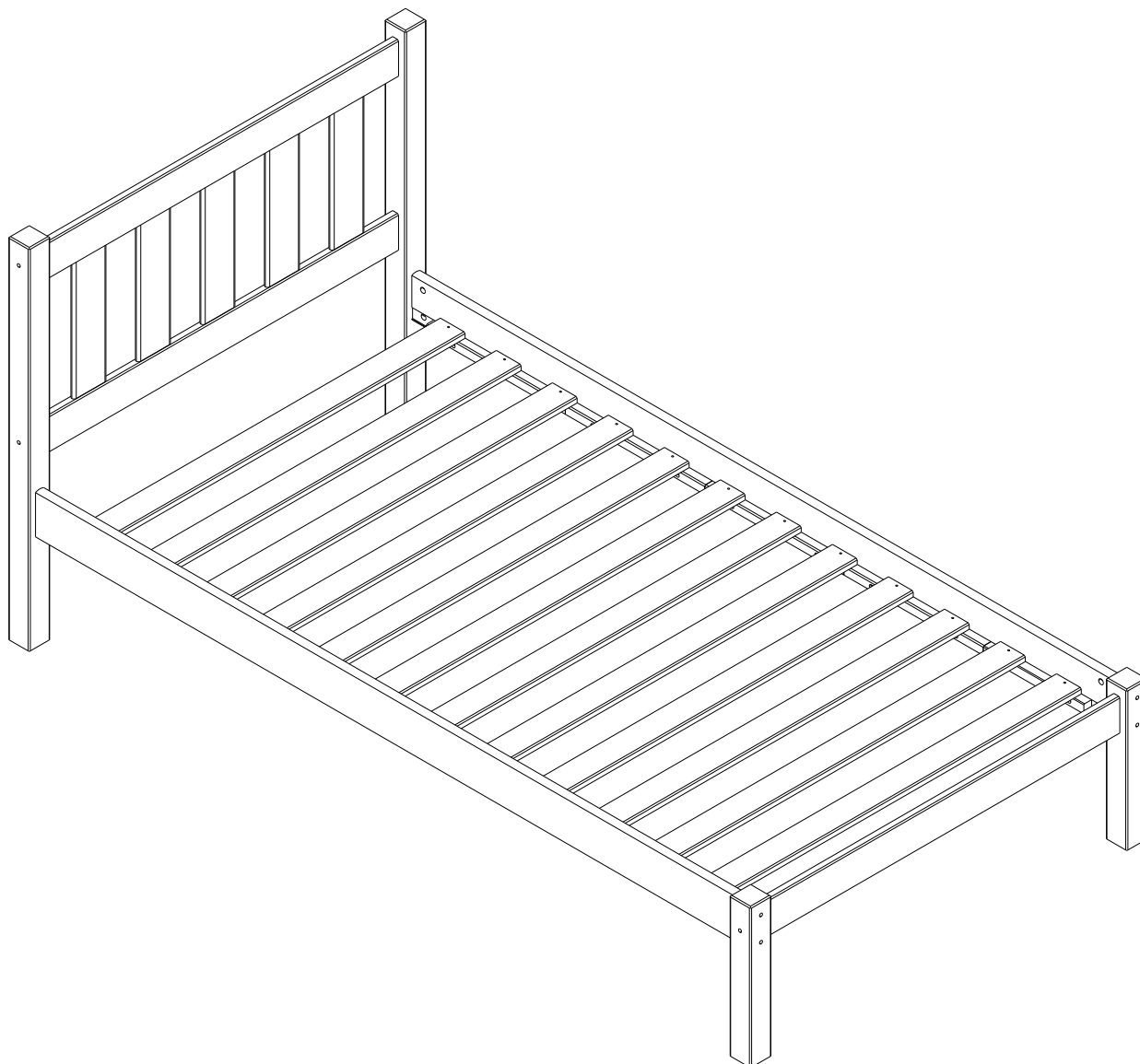


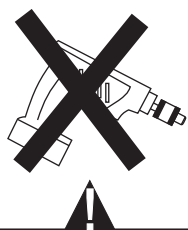
ASSEMBLY INSTRUCTIONS

TWIN POPPY BED

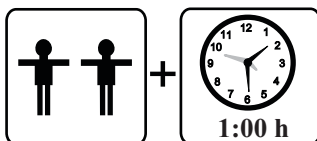


REPLACEMENT PARTS

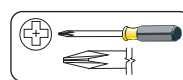
Please do not contact the company purchased from as we can help you faster.
Order replacement parts and hardware at "alaterrefurniture.com"



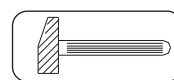
* Use of power tool to assemble this product will invalidate any claim and damage this product making it unsafe !!!
* Please assemble on a clean soft surface to avoid damage.



Tools Required

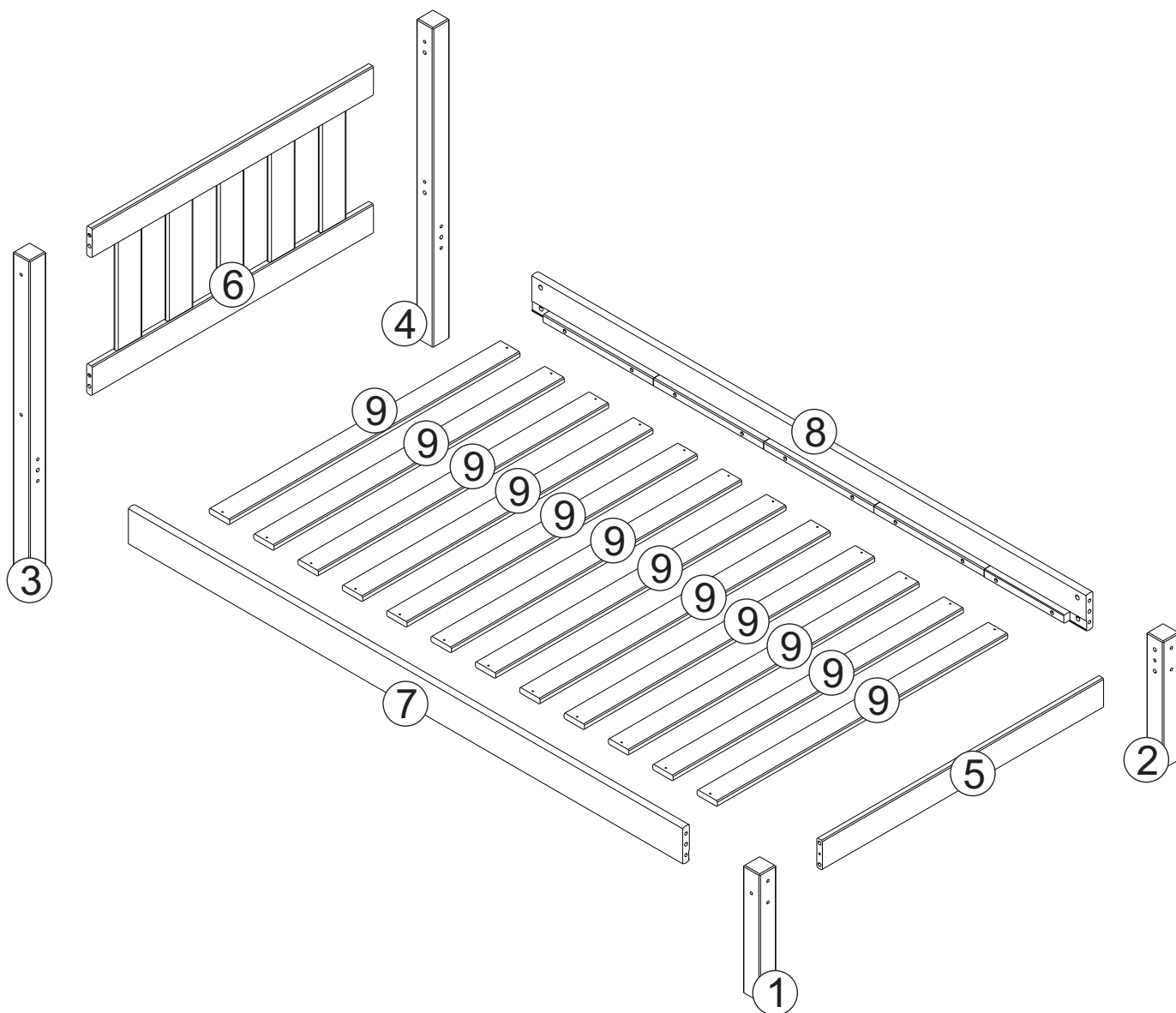


(Not included)




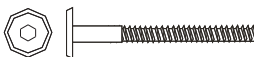
(Not included)


Part List - Twin Poppy Bed




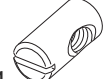
Identifying the Hardware-Identify the hardware using the illustrations below.


A  **08**
1/4 x 100 x 17mm

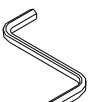
B  **06**
7 x 100 x 17mm

C  **24**
4,0 x 35

D  **12**
10X40

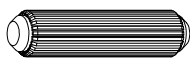
E  **08**
1/4

F  **02**
82mm

G  **01**

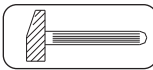
01

D

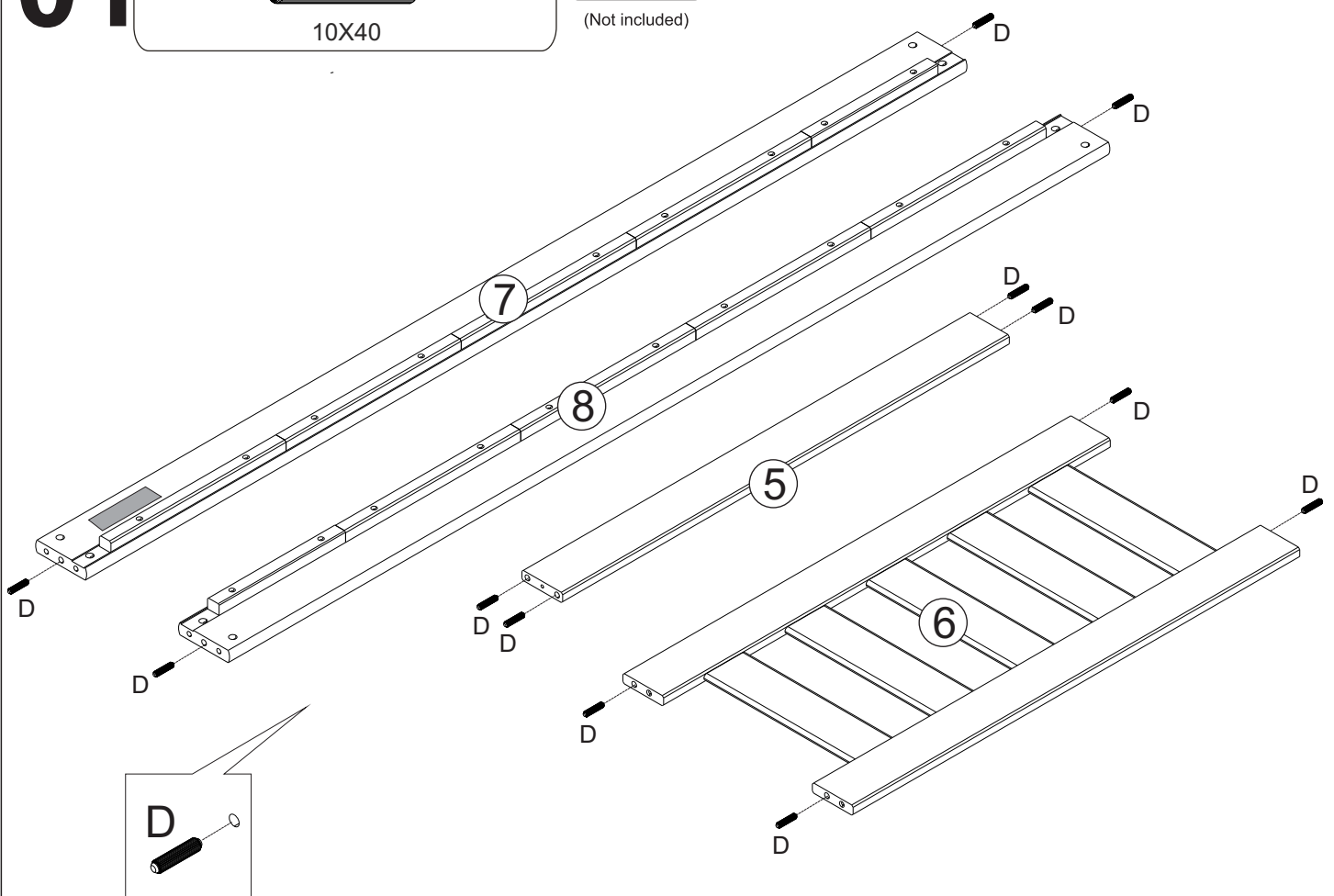


10X40

12

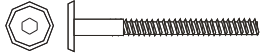


(Not included)



02

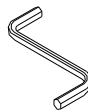
B



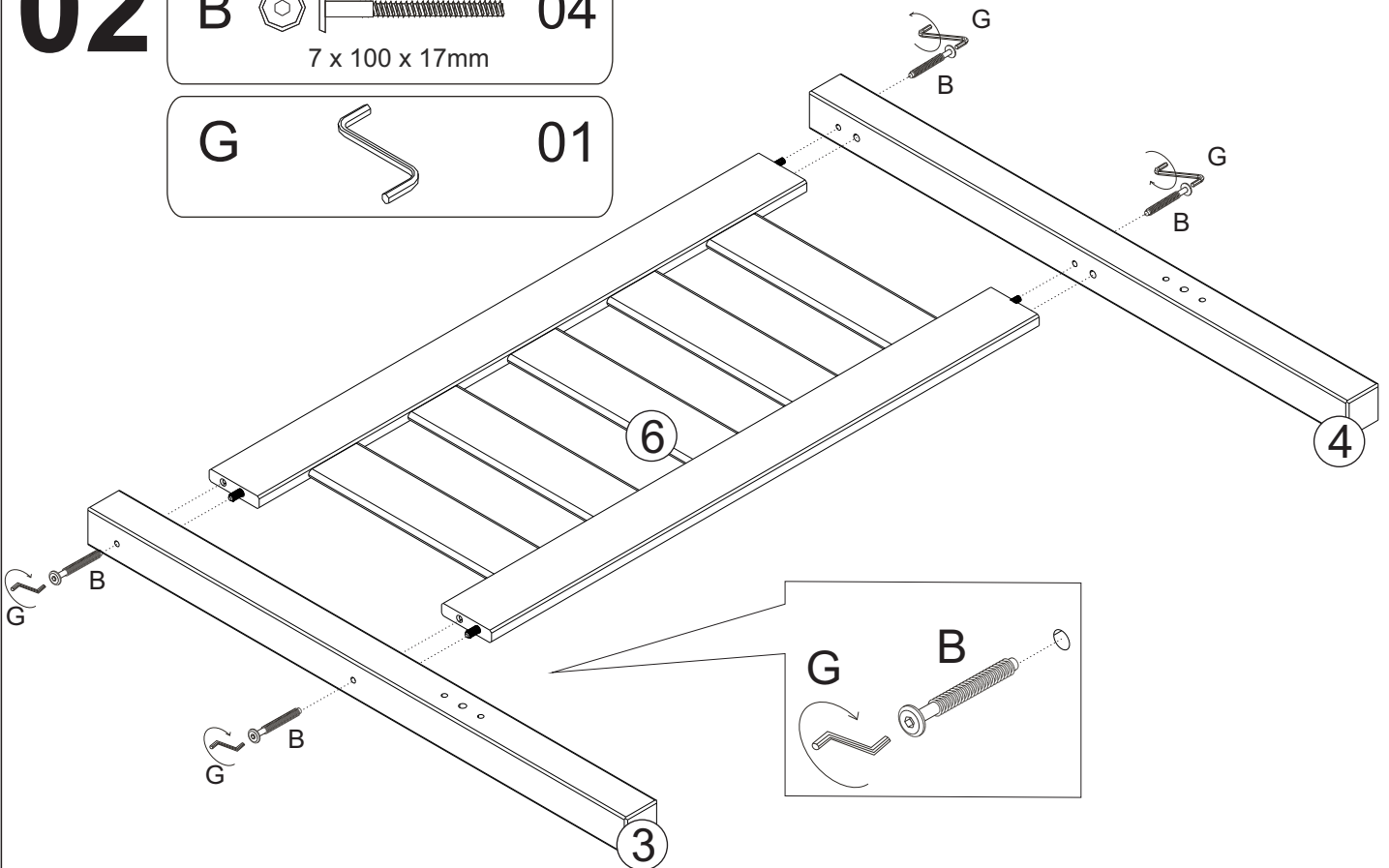
04

7 x 100 x 17mm

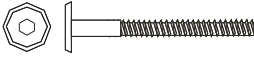
G

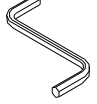


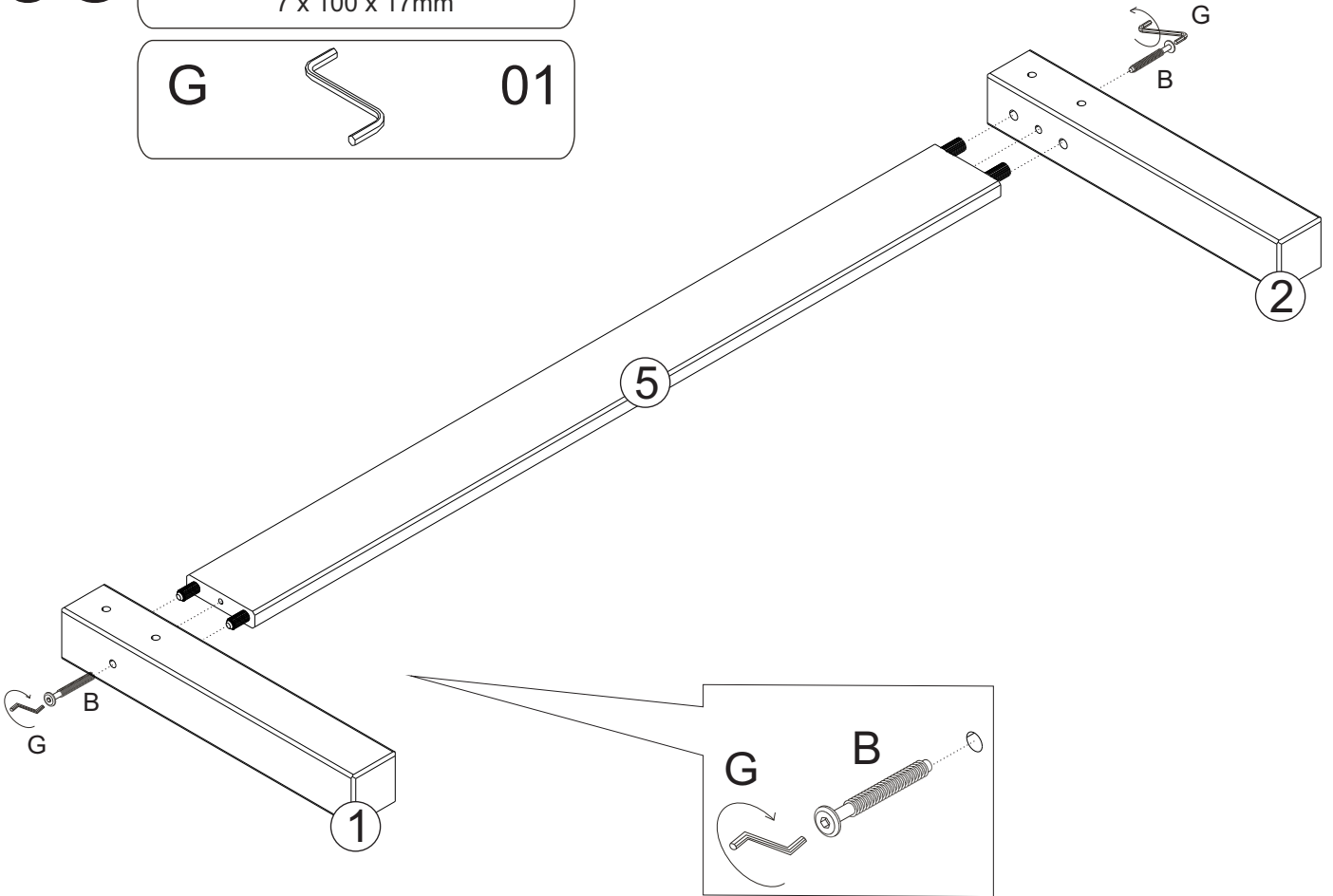
01




03

B  **02**
7 x 100 x 17mm

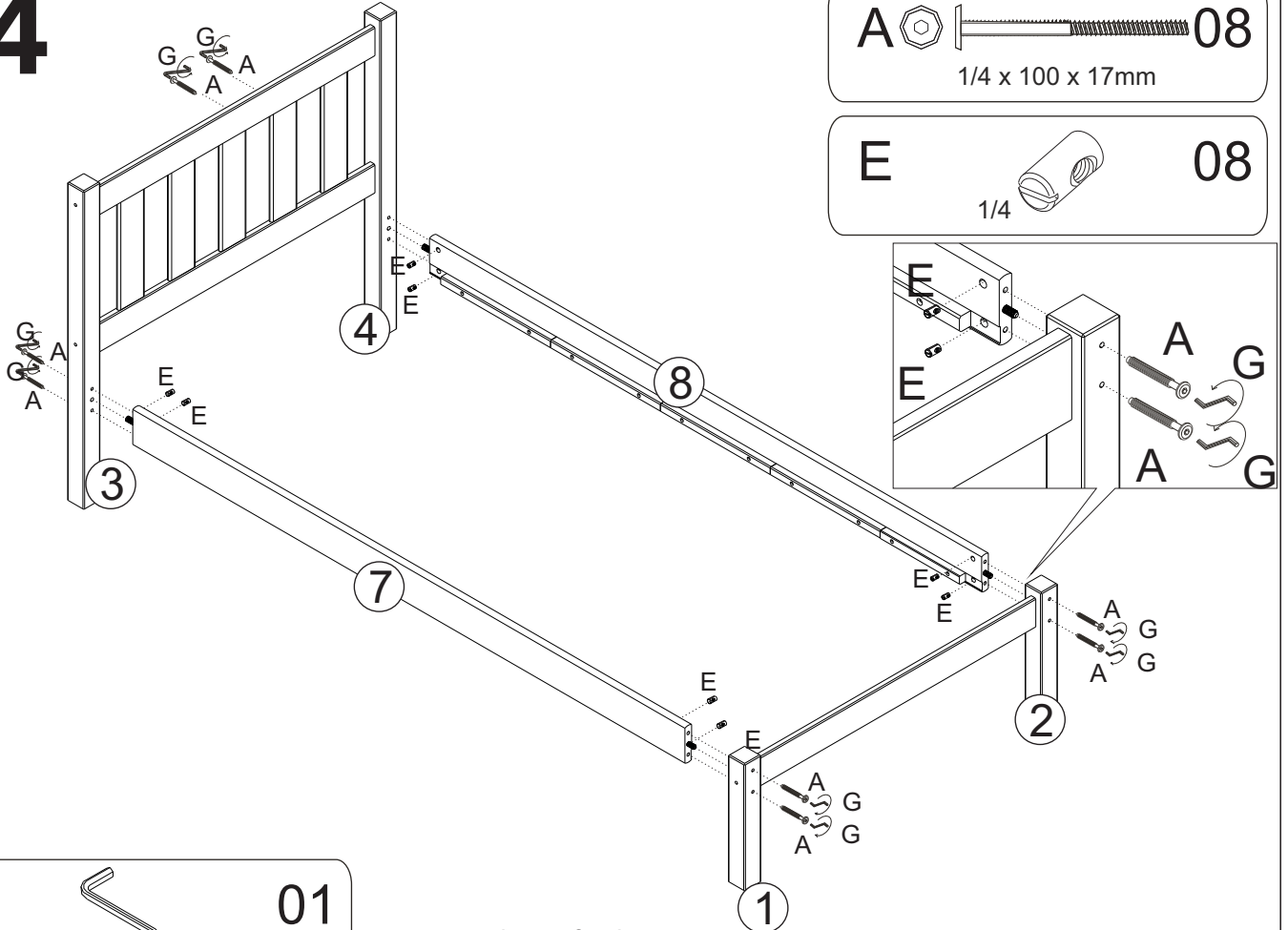
G  **01**

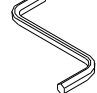


04

A  **08**
1/4 x 100 x 17mm

E  **08**
1/4



G  **01**

05

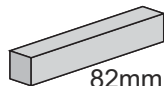
C



4,0 x 35

24

F



82mm

02

