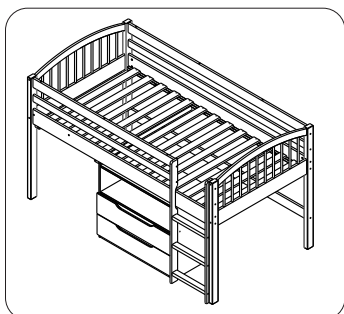
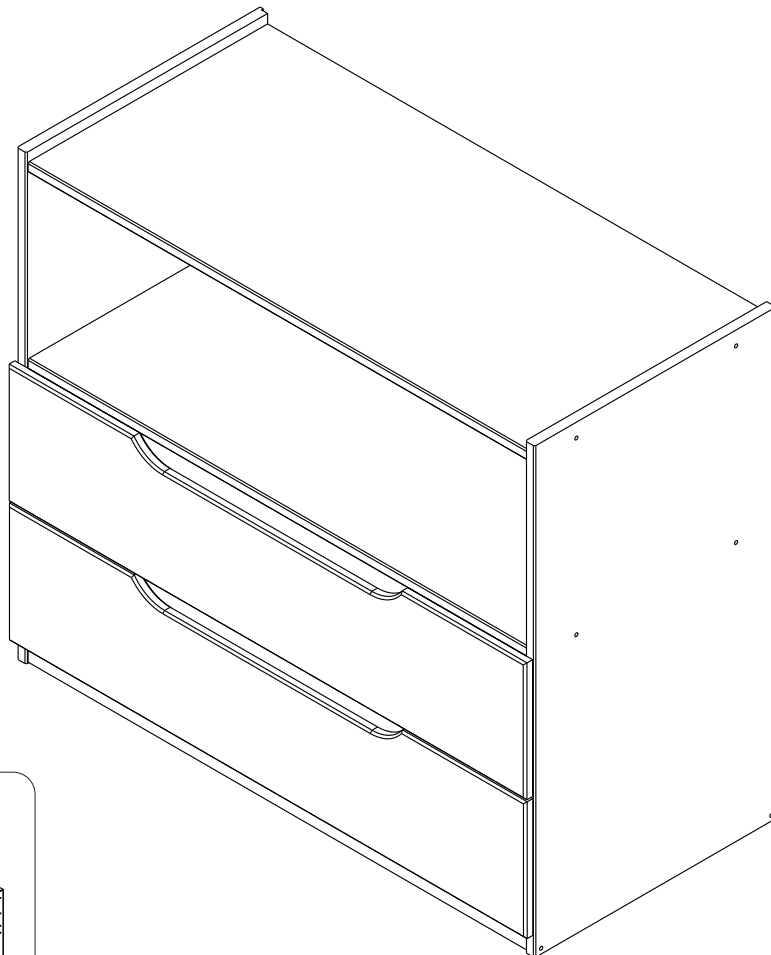


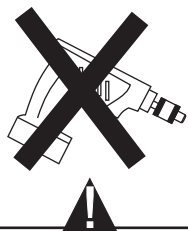
ASSEMBLY INSTRUCTIONS

ADDISON JR LOFT CHEST

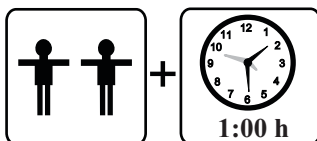


REPLACEMENT PARTS

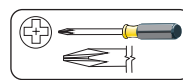
Please do not contact the company purchased from as we can help you faster.
Order replacement parts and hardware at "alaterrefurniture.com"



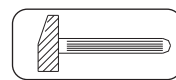
* Use of power tool to assemble this product will invalidate any claim and damage this product making it unsafe !!!
* Please assemble on a clean soft surface to avoid damage.



Tools Required

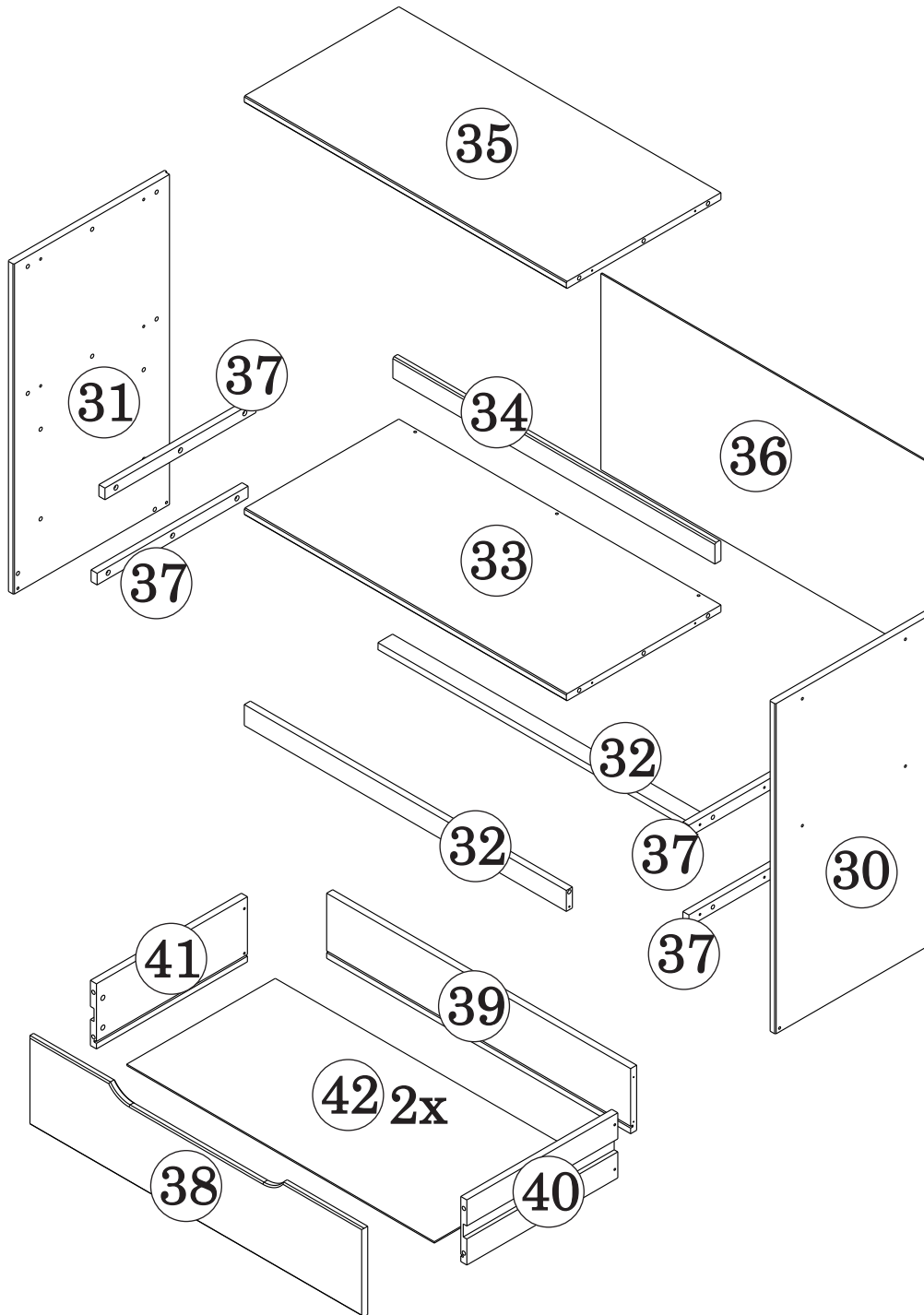


(Not included)


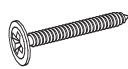
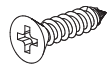


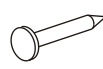


(Not included)

Part List - Addison Jr Loft Chest



Identifying the Hardware-Identify the hardware using the illustrations below.

J  8X30 24	K  4,0 x 35 23	O  4,0 x 25 20
P  08	Q  8X20 08	R  8,0 x 8,0 16

01

J



8X30

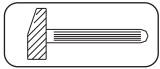
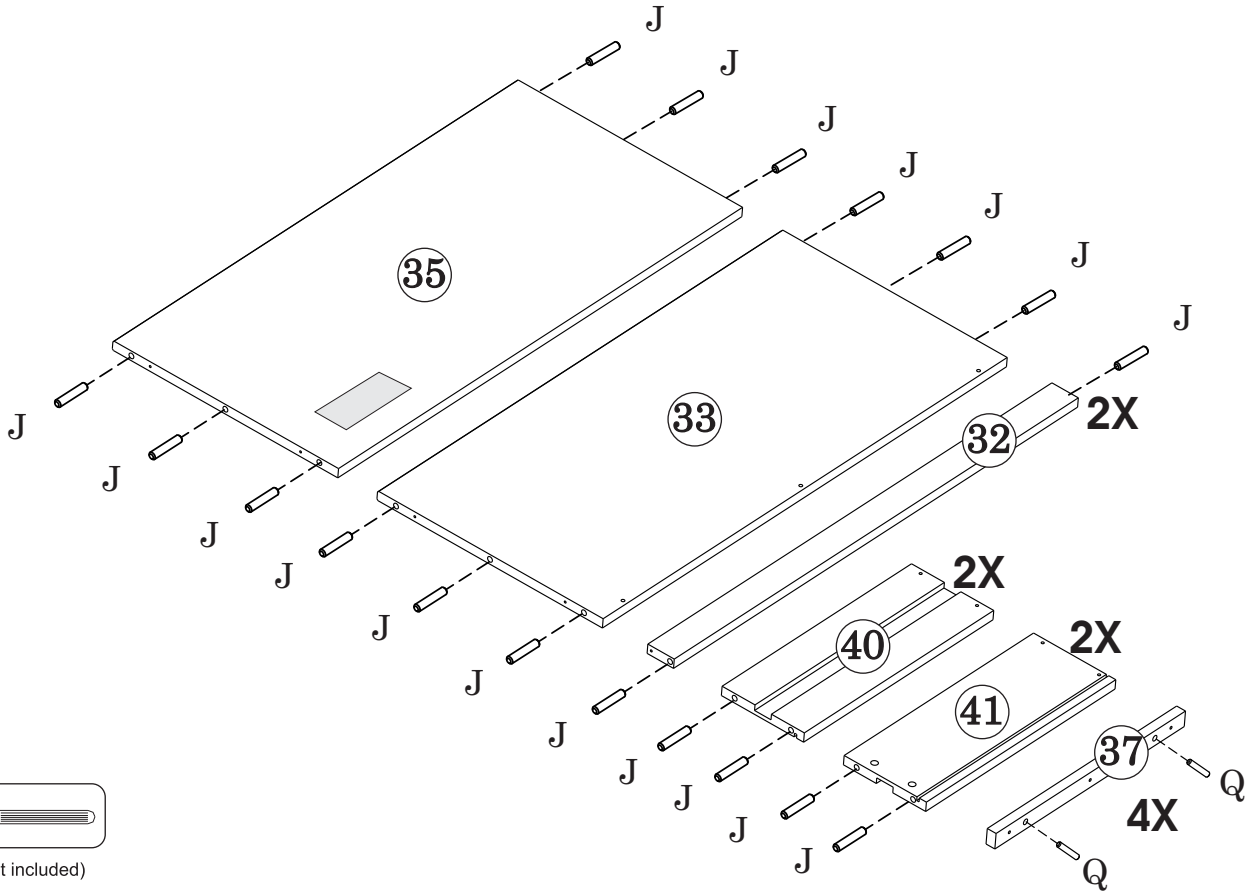
24

Q



8X20

08



(Not included)

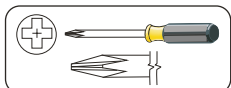
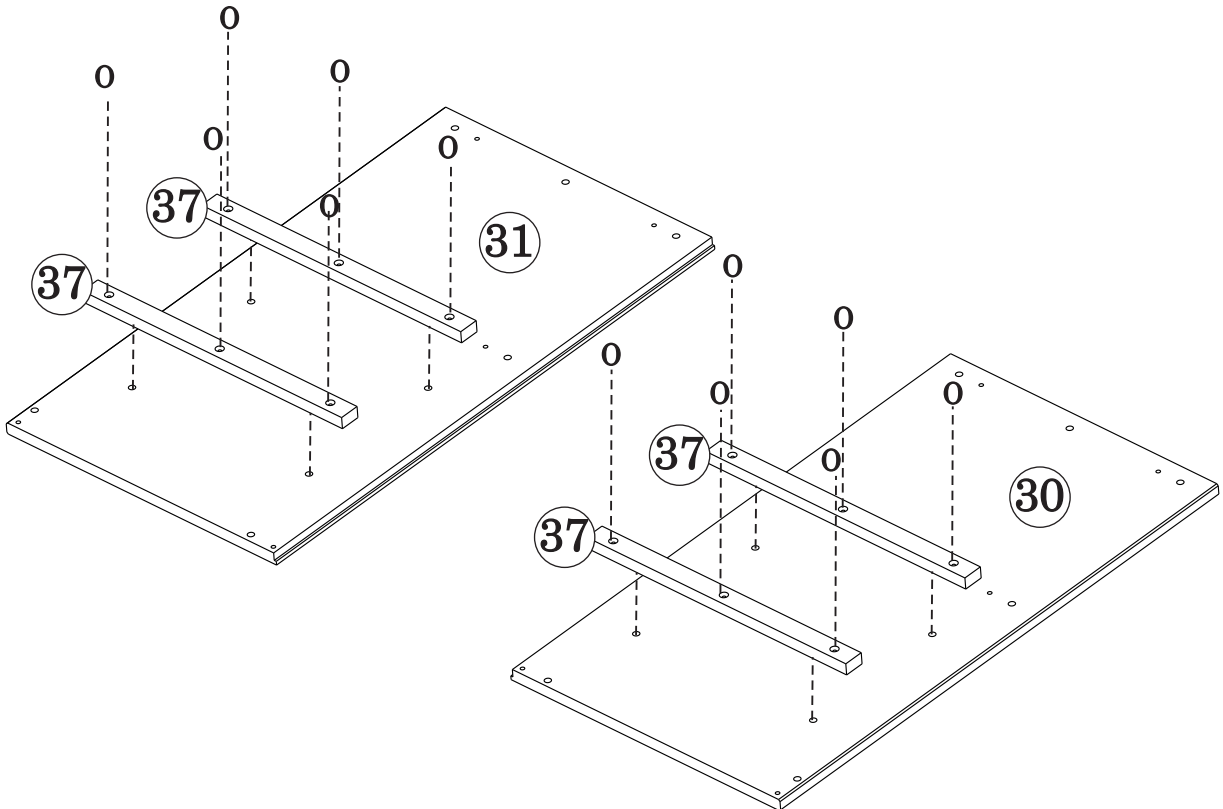
02

O



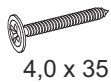
4,0 x 25

12



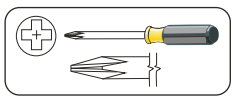
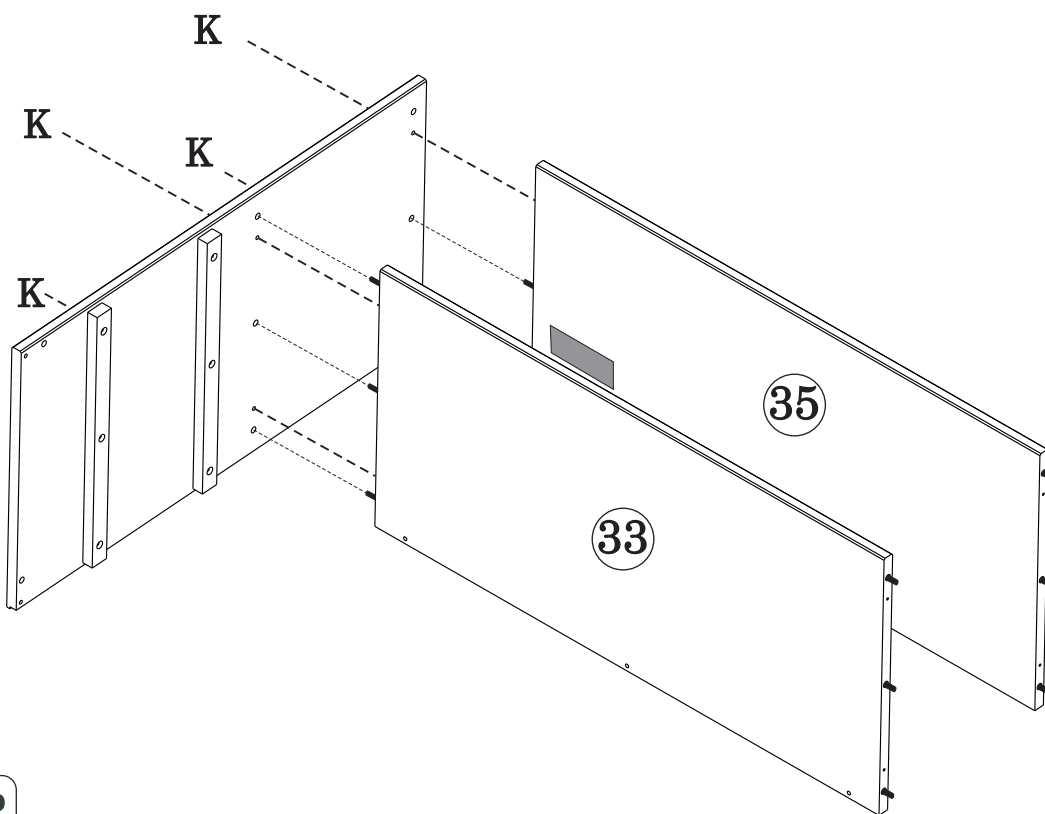
03

K



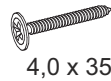
4,0 x 35

04



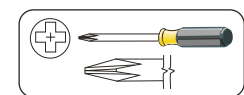
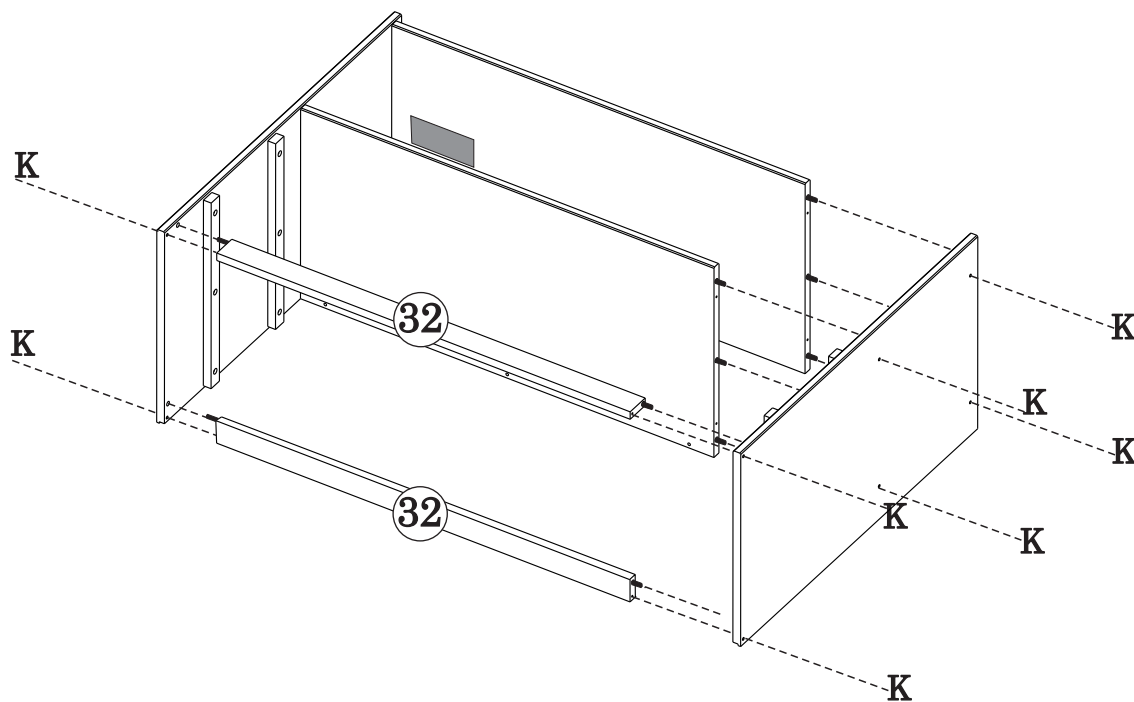
04

K



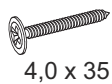
4,0 x 35

08

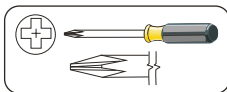
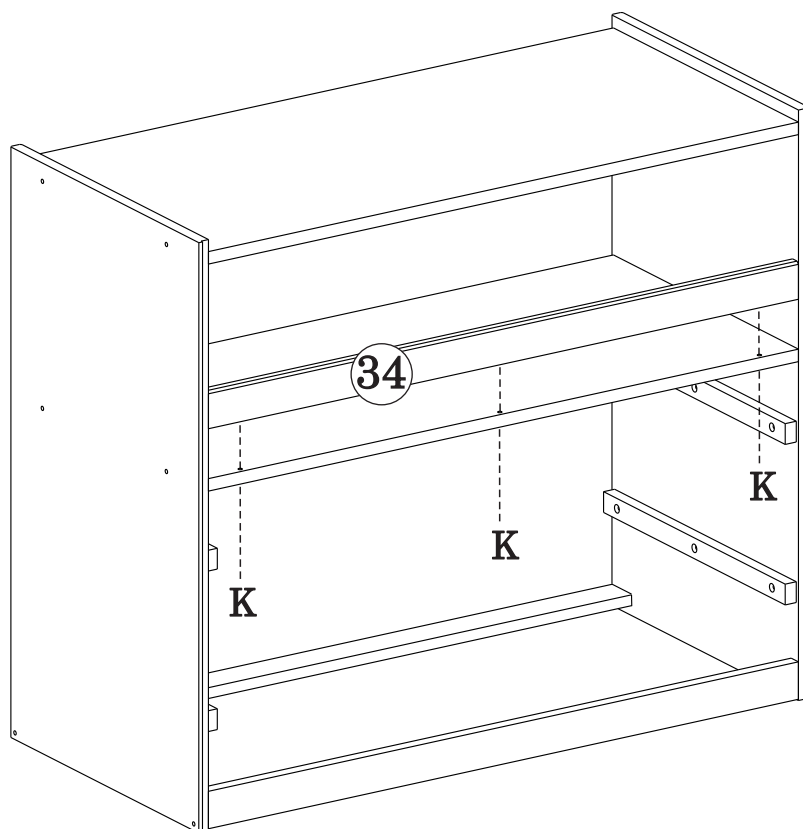


05

K

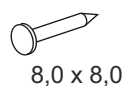


03

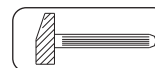


06

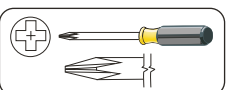
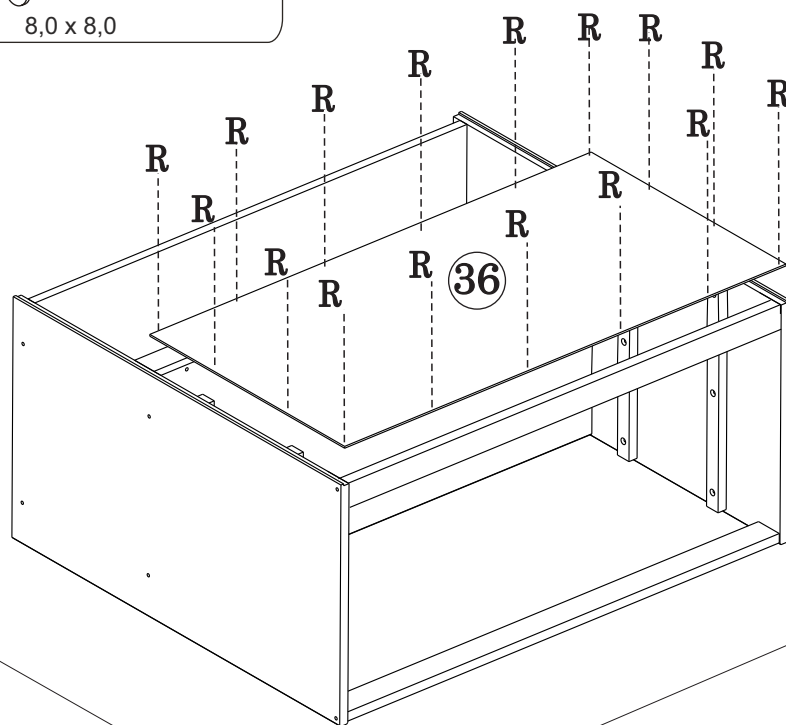
R



16



(Not included)

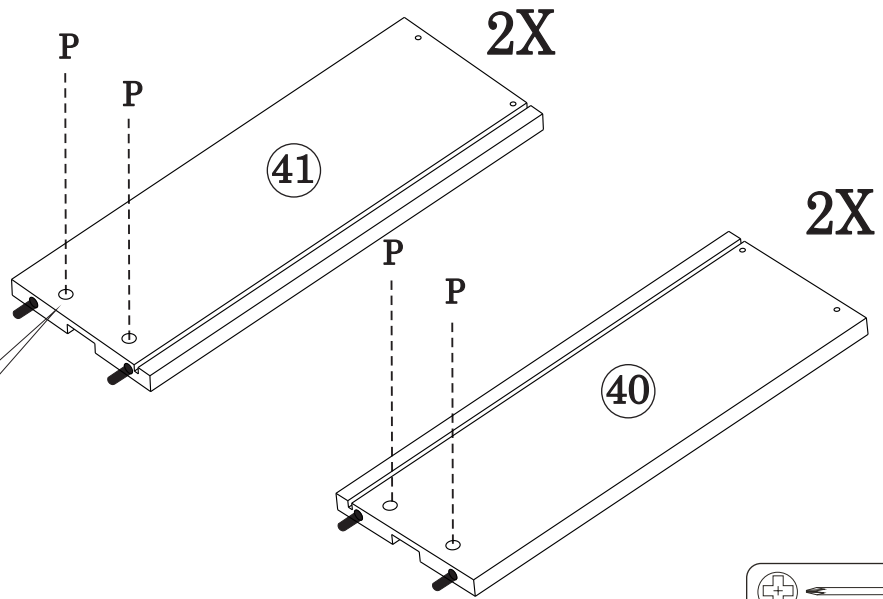
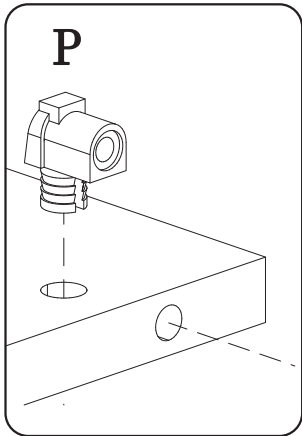


07

P

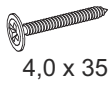


08



08

K

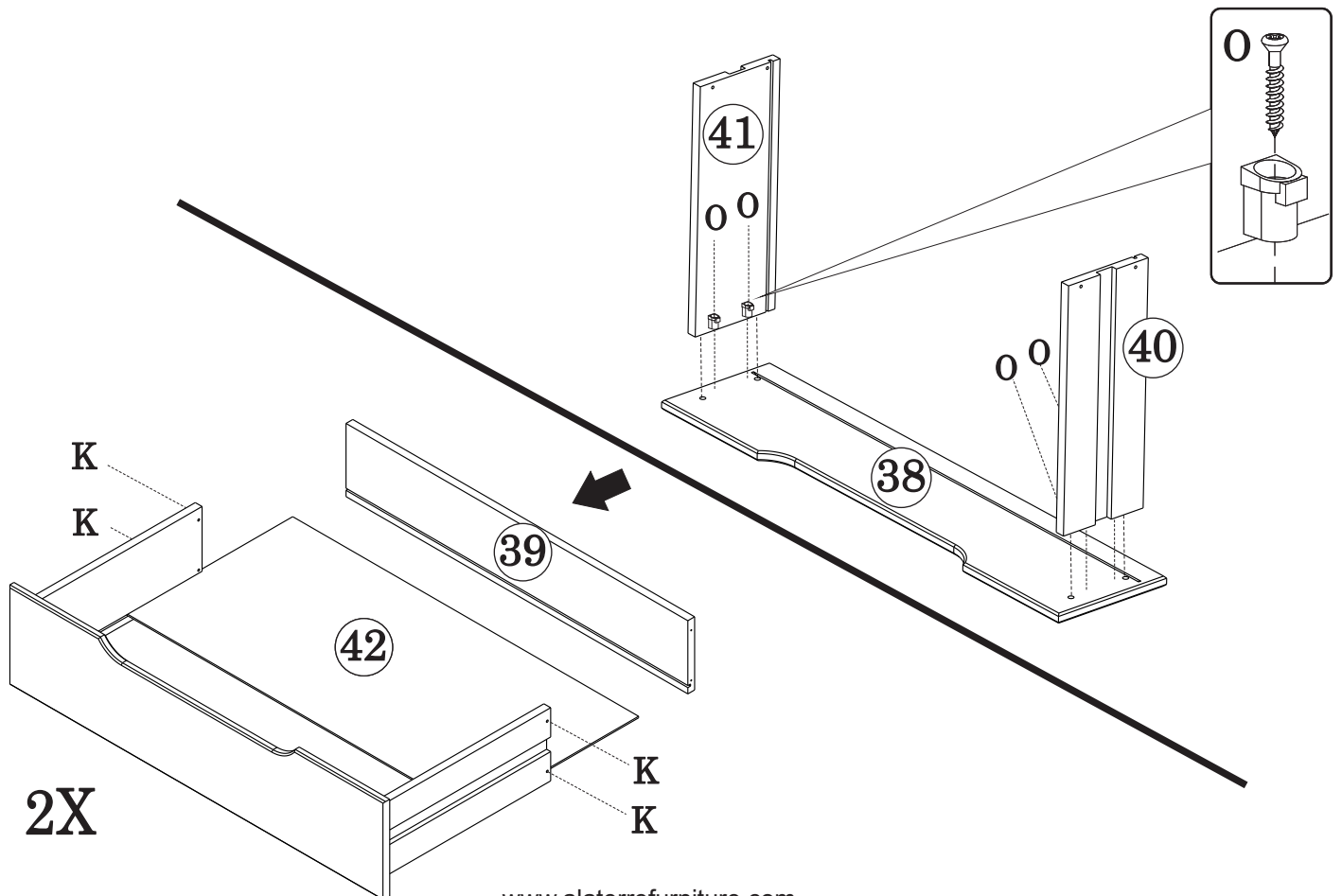
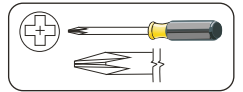


08

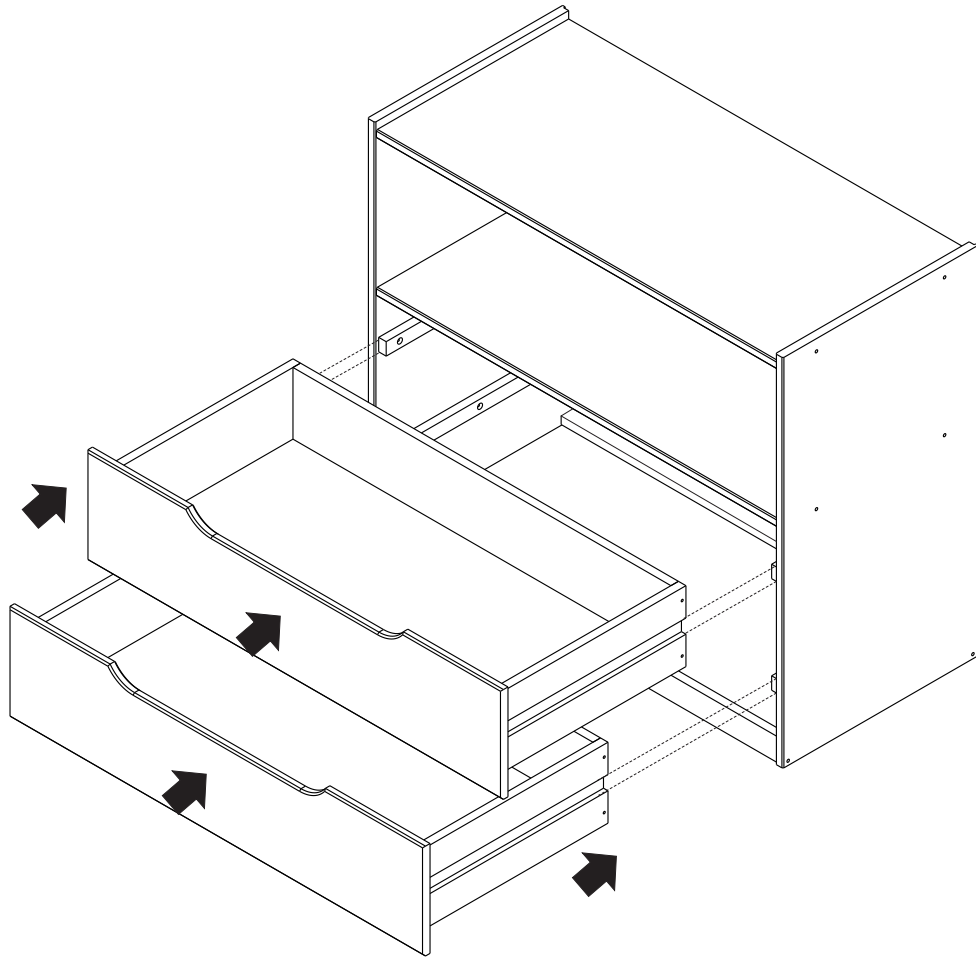
O



08



09



10

