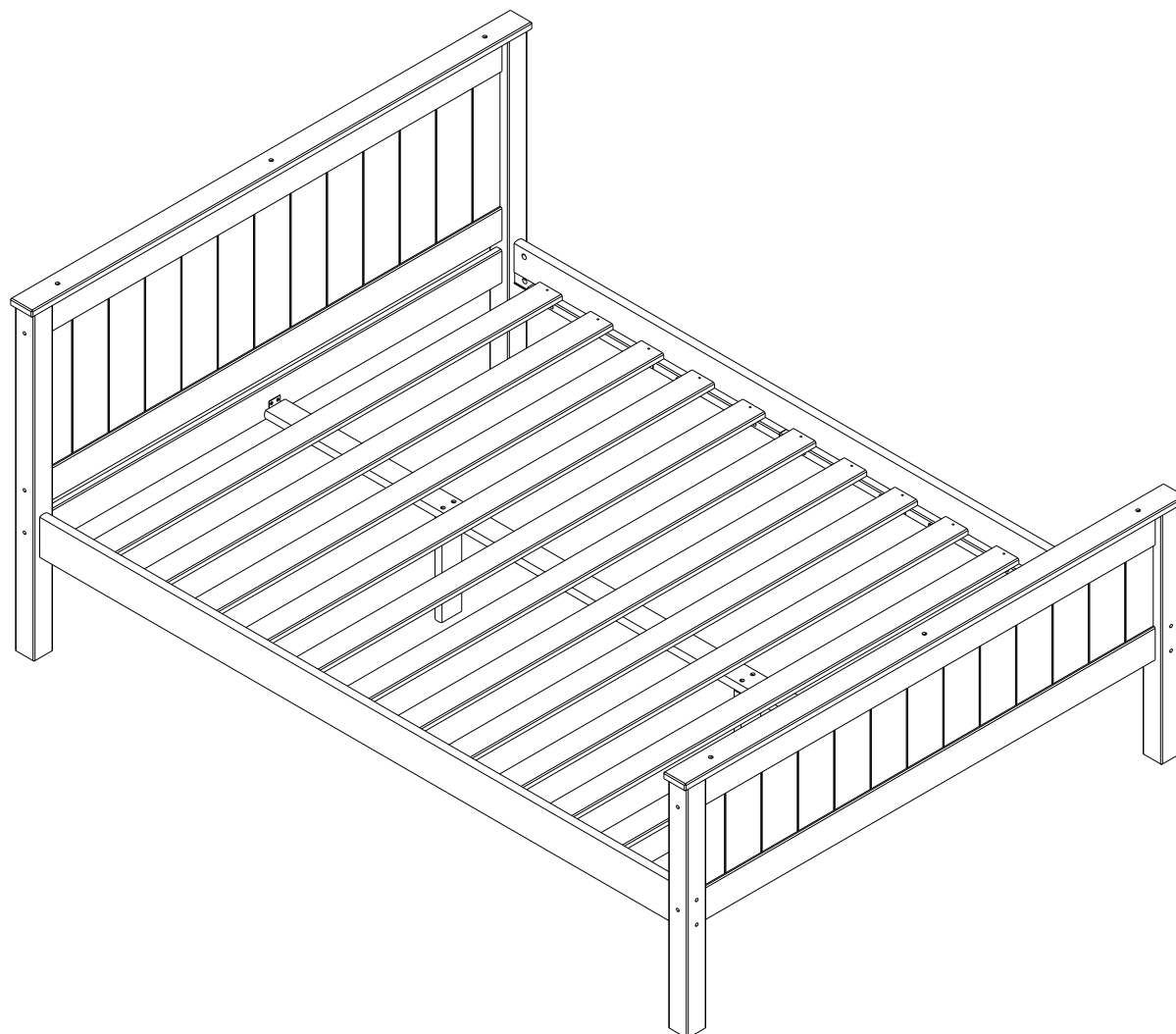


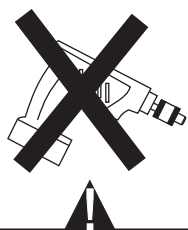
# ASSEMBLY INSTRUCTIONS

## FULL HARMONY BED

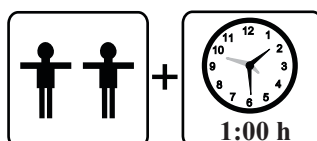


### REPLACEMENT PARTS

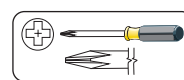
Please do not contact the company purchased from as we can help you faster.  
Order replacement parts and hardware at "[alaterrefurniture.com](http://alaterrefurniture.com)"



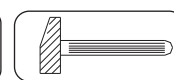
\* Use of power tool to assemble this product will invalidate any claim and damage this product making it unsafe !!!  
\* Please assemble on a clean soft surface to avoid damage.



### Tools Required

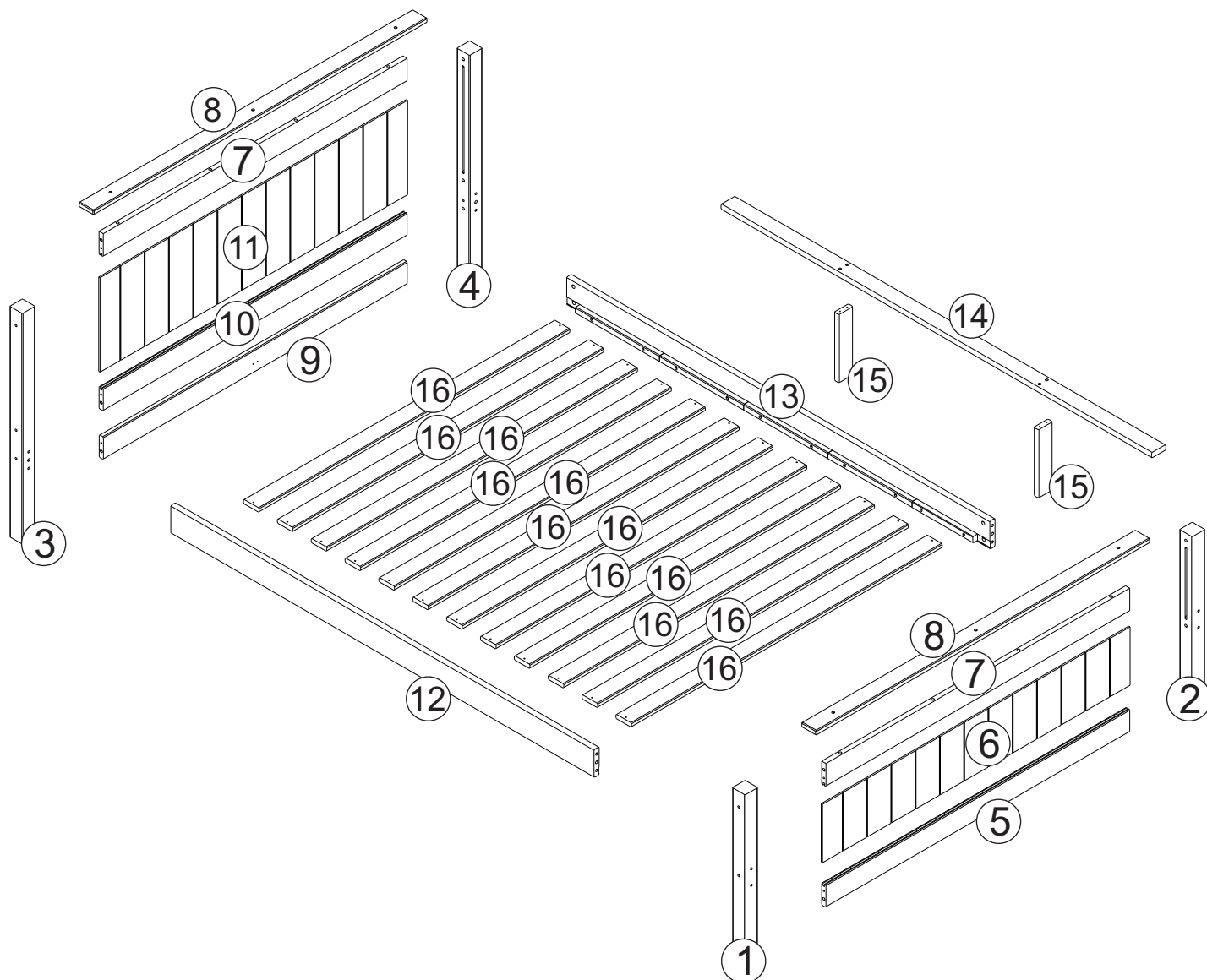


(Not included)





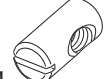



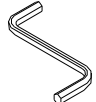
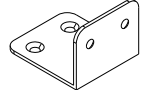
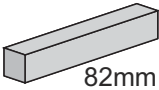


(Not included)

# Part List - Full Harmony Bed

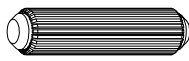


**Identifying the Hardware**-Identify the hardware using the illustrations below.

<p><b>A</b>  <b>08</b> 1/4 x 100 x 17mm</p>	<p><b>B</b>  <b>10</b> 7 x 100 x 17mm</p>	<p><b>C</b>  <b>06</b> 4,0 x 40</p>
<p><b>D</b>  <b>22</b> 10X40</p>	<p><b>E</b>  <b>08</b> 1/4</p>	<p><b>F</b>  <b>04</b> 4,0 x 50</p>
<p><b>G</b>  <b>24</b> 4,0 x 35</p>	<p><b>H</b>  <b>08</b> 3,5 x 16</p>	<p><b>I</b>  <b>01</b></p>
<p><b>J</b>  <b>02</b></p>	<p><b>K</b>  <b>02</b> 82mm</p>	

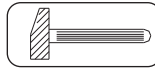
# 01

D

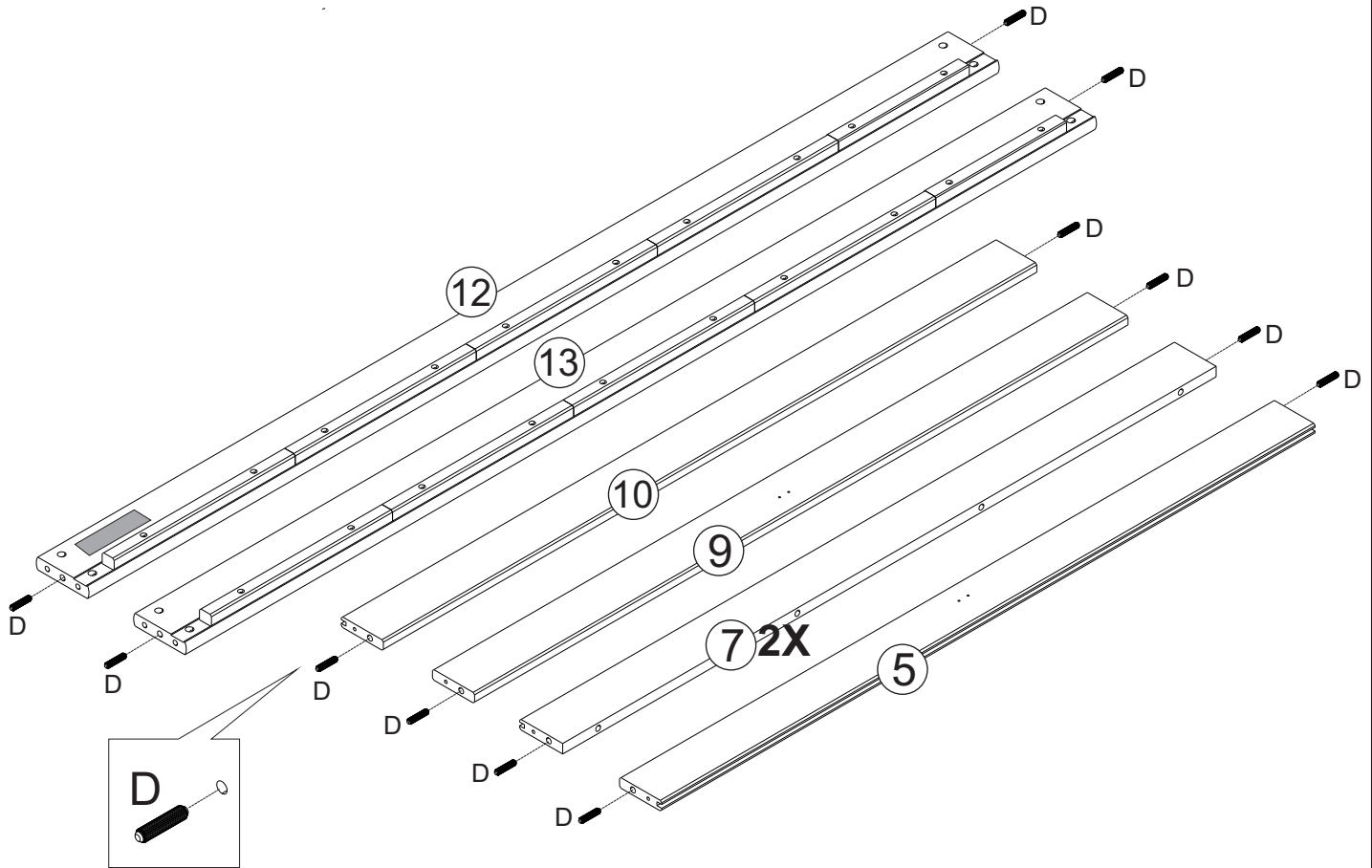


10X40

14



(Not included)



# 02

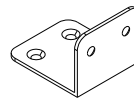
H



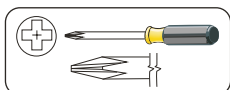
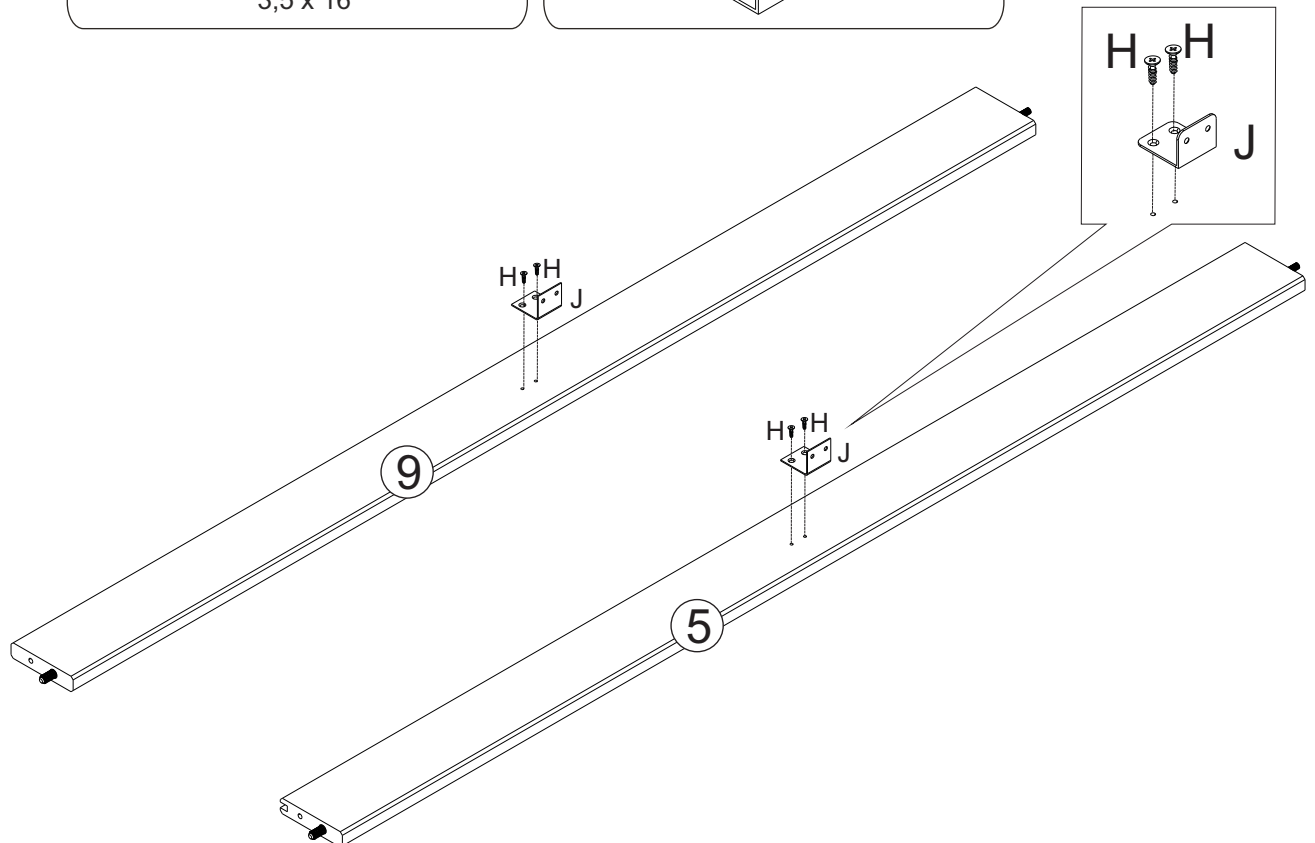
3,5 x 16

04


J

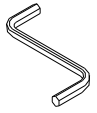


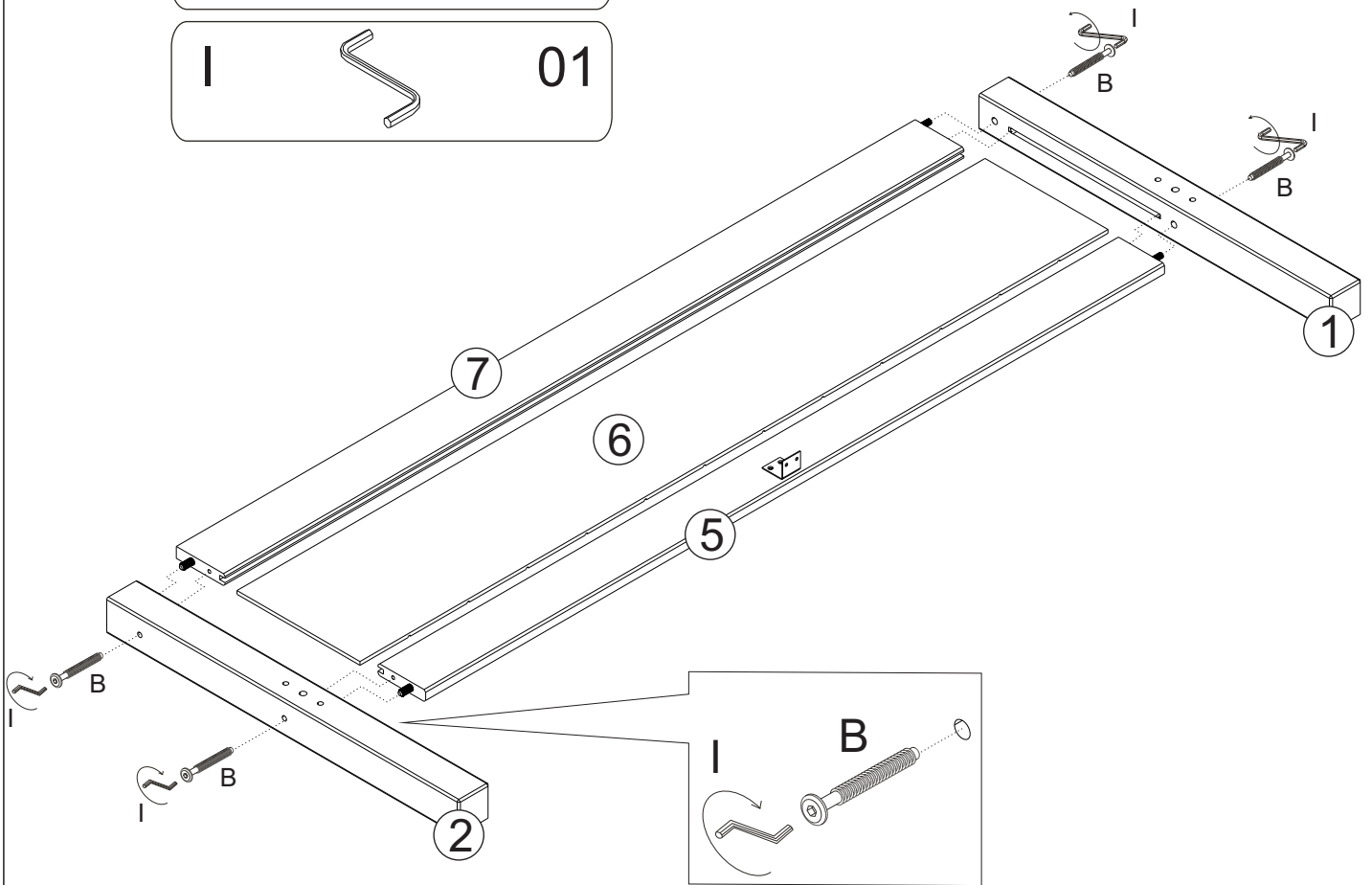
02




# 03

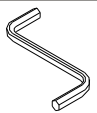
**B**  **04**  
7 x 100 x 17mm

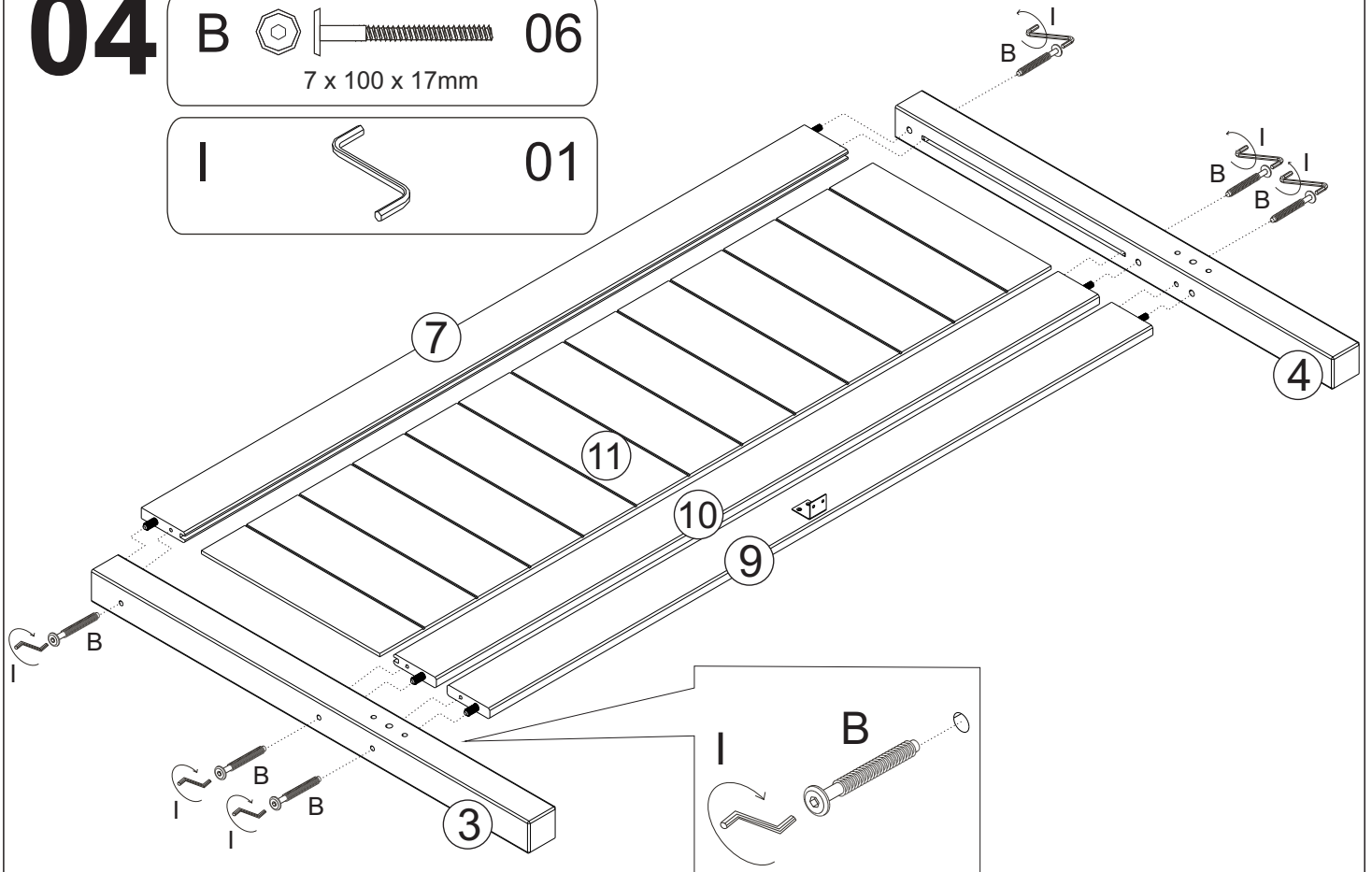
**I**  **01**




# 04

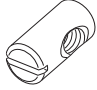
**B**  **06**  
7 x 100 x 17mm

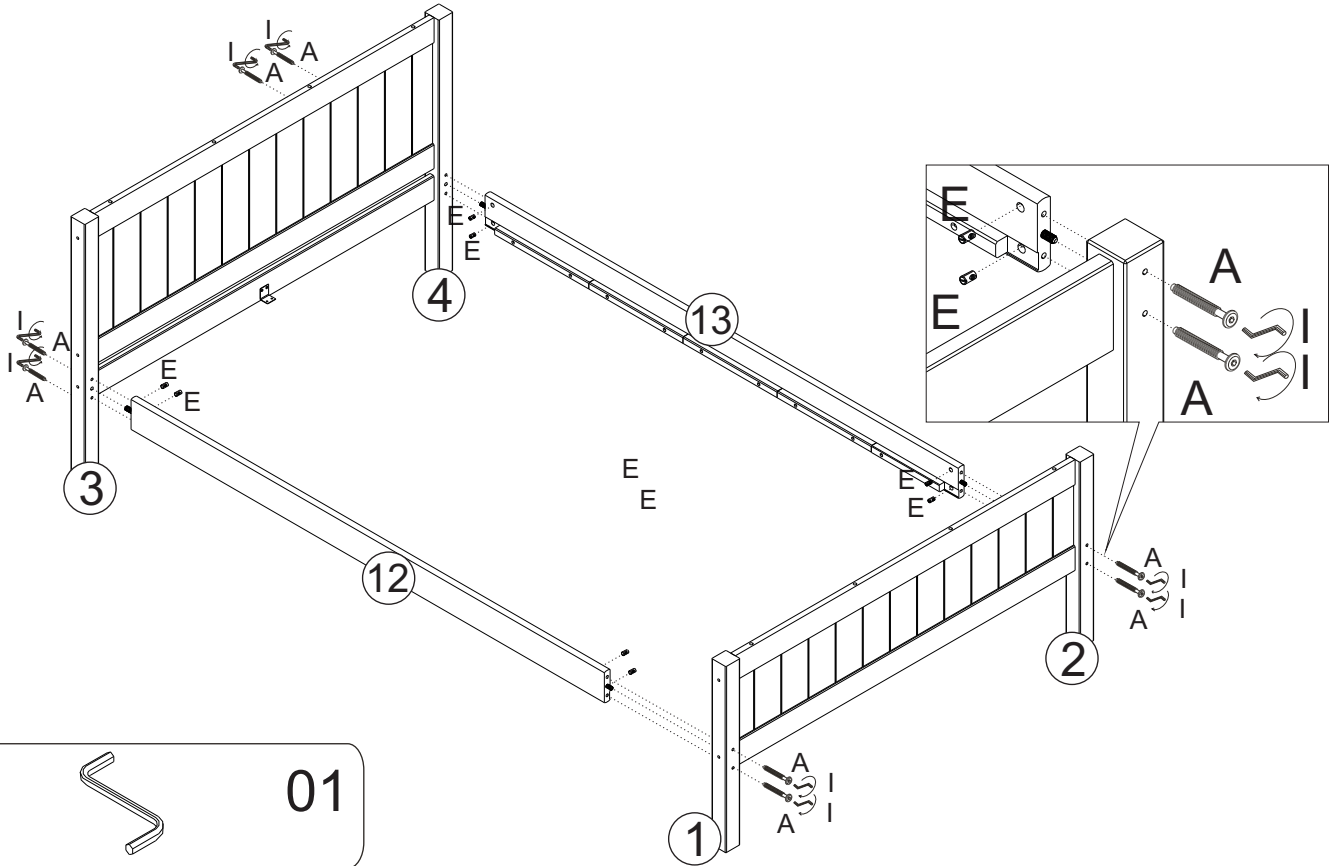
**I**  **01**

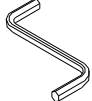


# 05


**A**  **08**  
1/4 x 100 x 17mm

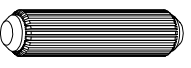
**E**  **08**  
1/4

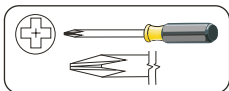
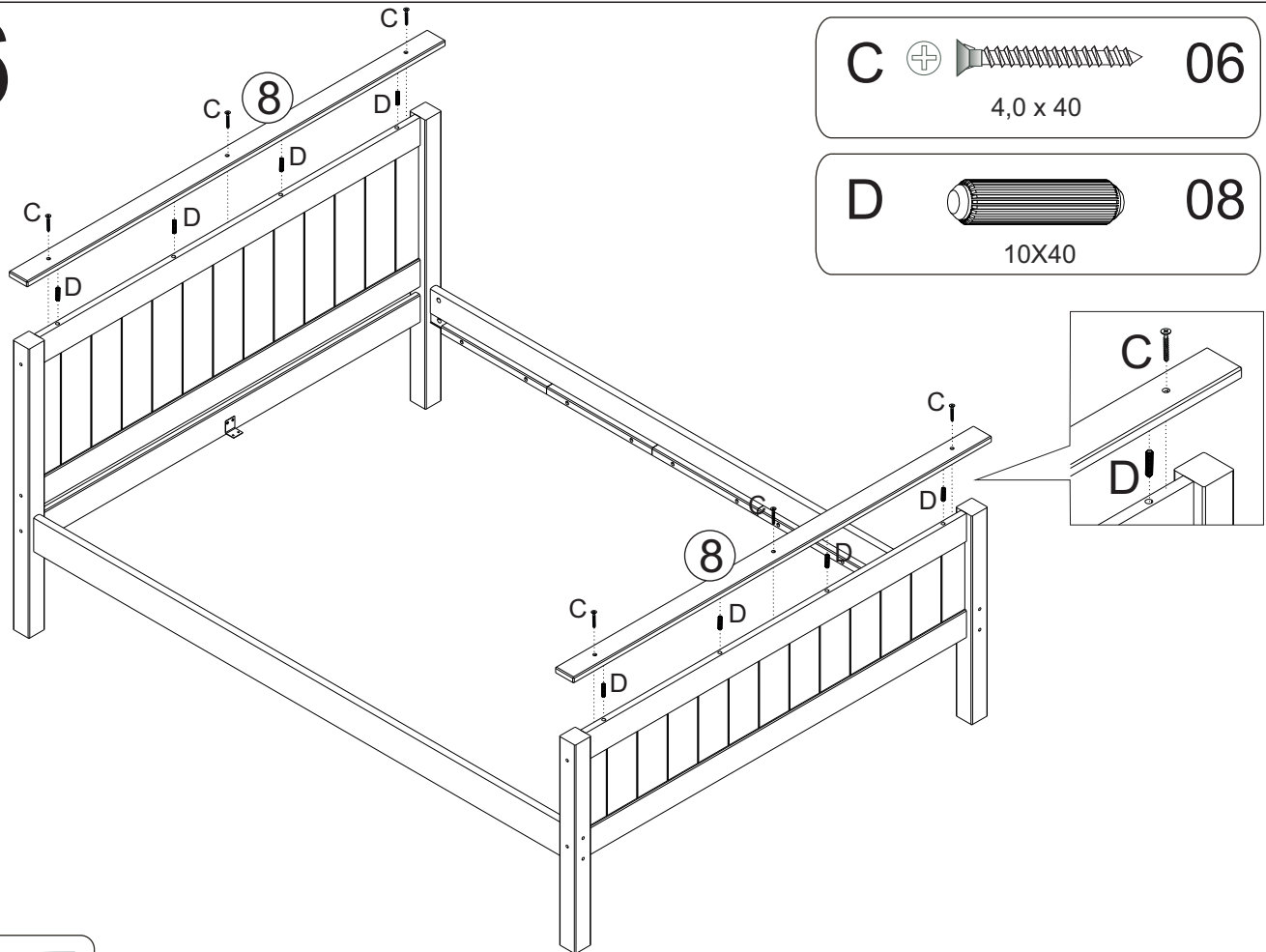


**I**  **01**


# 06

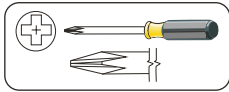
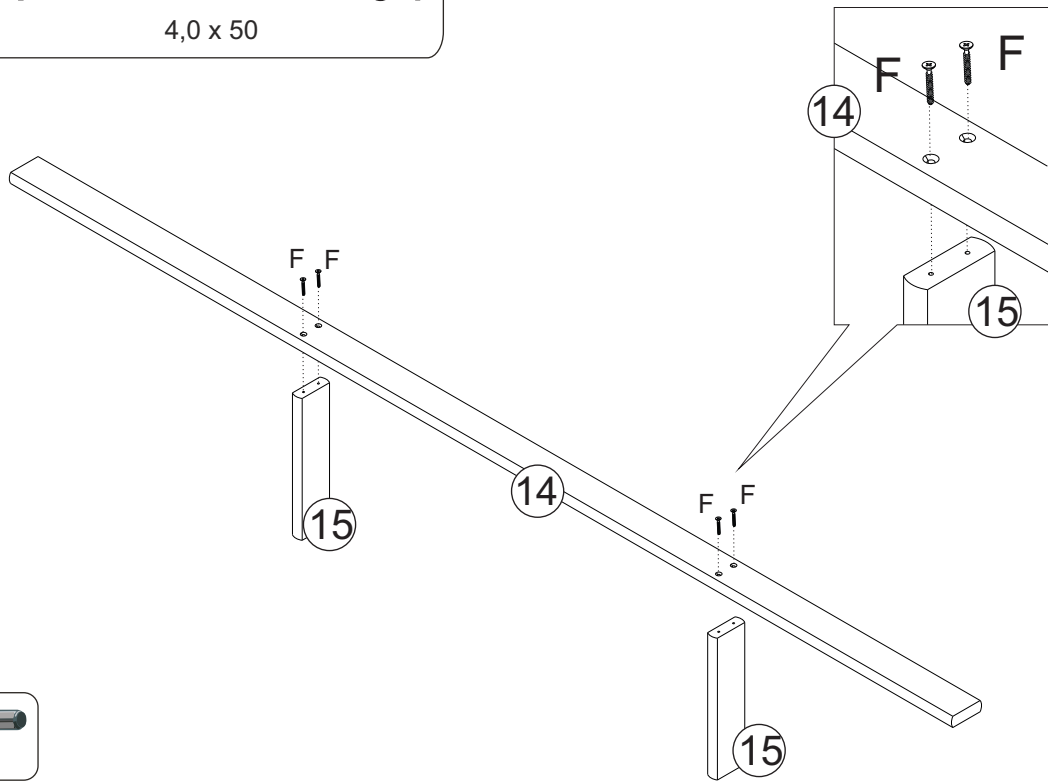
**C**  **06**  
4,0 x 40

**D**  **08**  
10X40




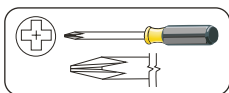
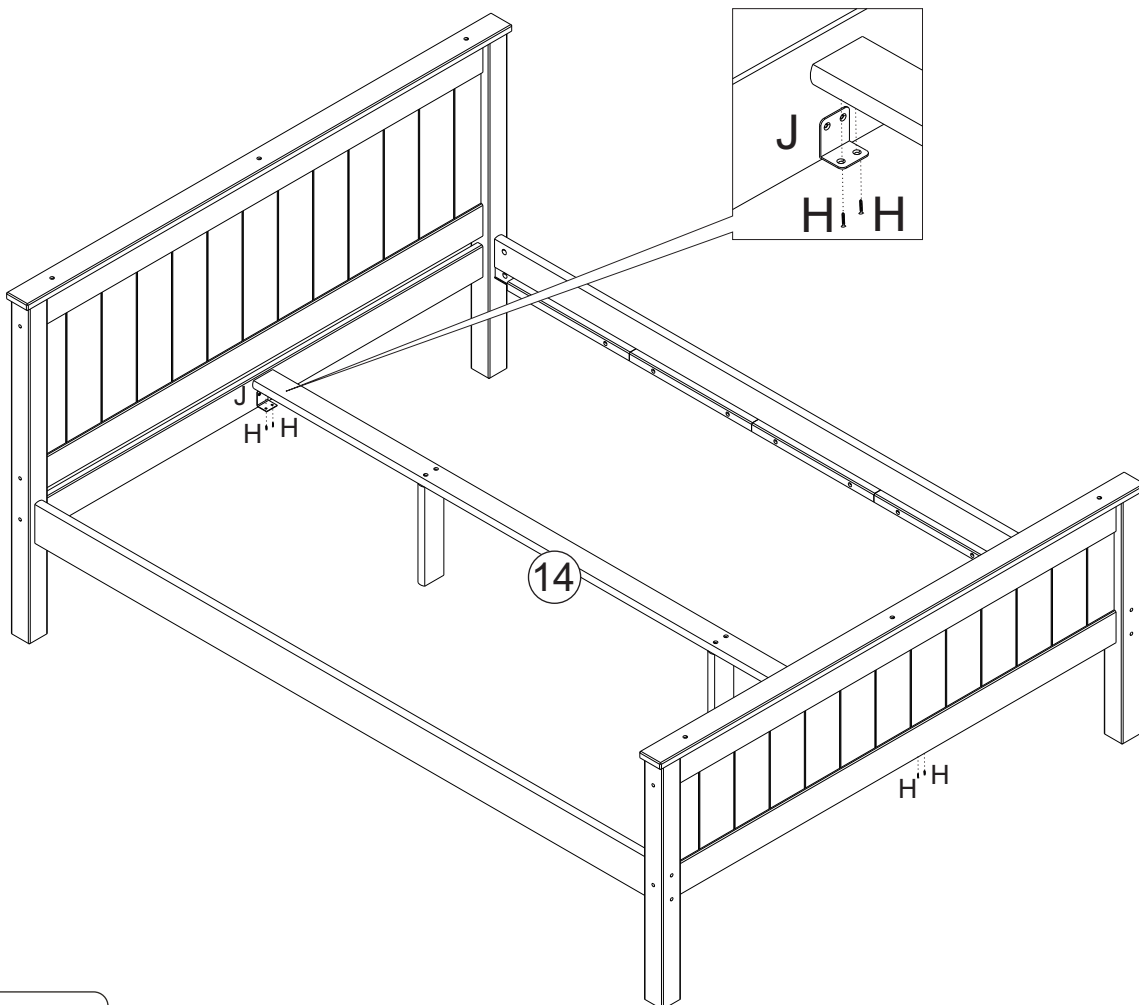
# 07

**F**  **04**  
4,0 x 50



# 08

**H**  **04**  
3,5 x 16



# 09

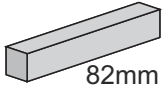
G



4,0 x 35

24

K



82mm

02

