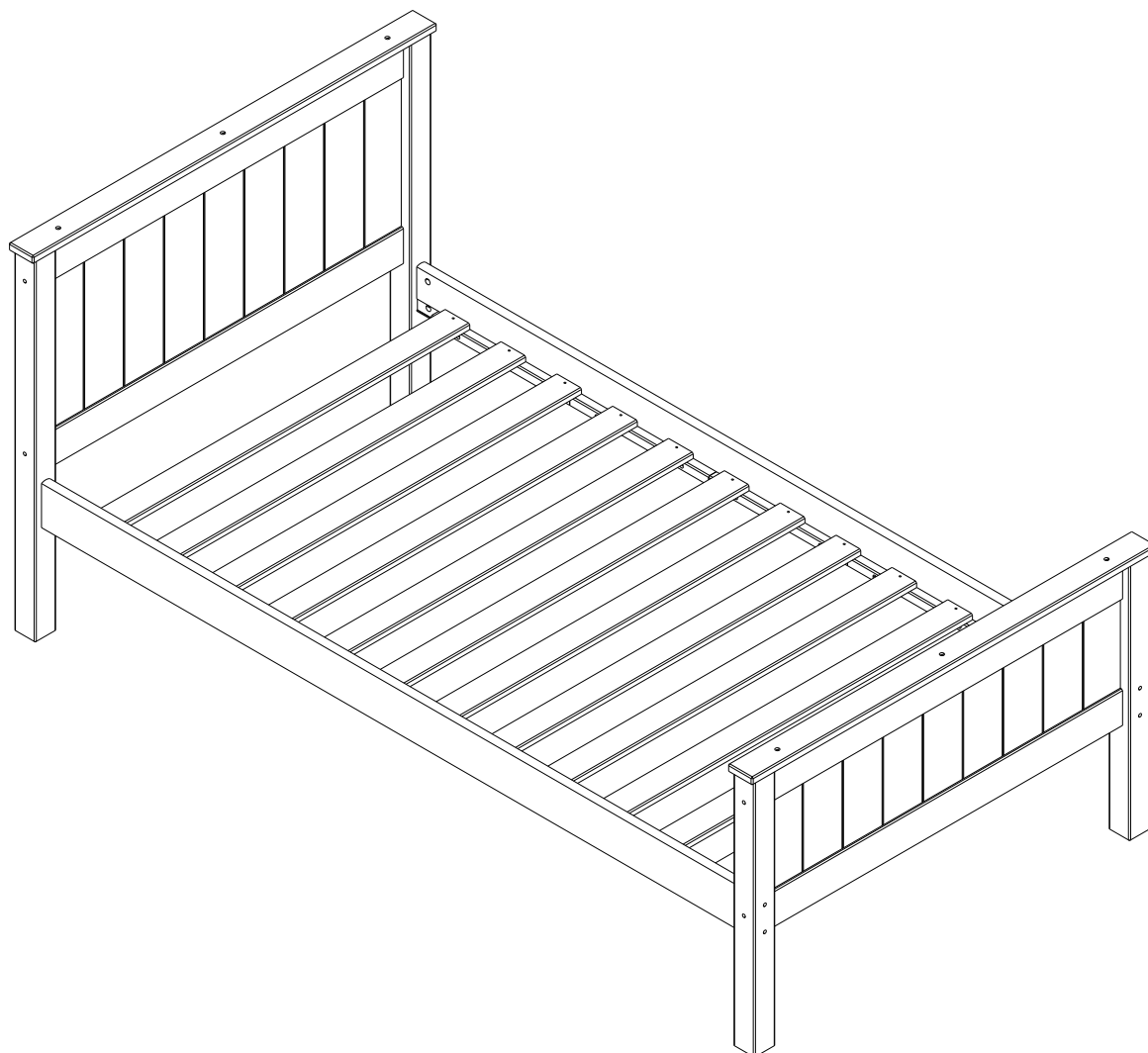


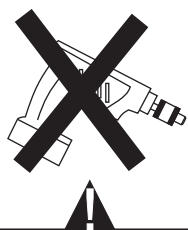
ASSEMBLY INSTRUCTIONS

TWIN HARMONY BED

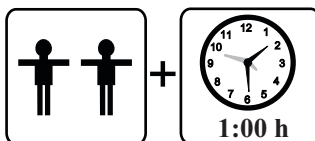


REPLACEMENT PARTS

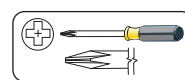
Please do not contact the company purchased from as we can help you faster.
Order replacement parts and hardware at "alaterrefurniture.com"



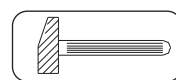
* Use of power tool to assemble this product will invalidate any claim and damage this product making it unsafe !!!
* Please assemble on a clean soft surface to avoid damage.



Tools Required

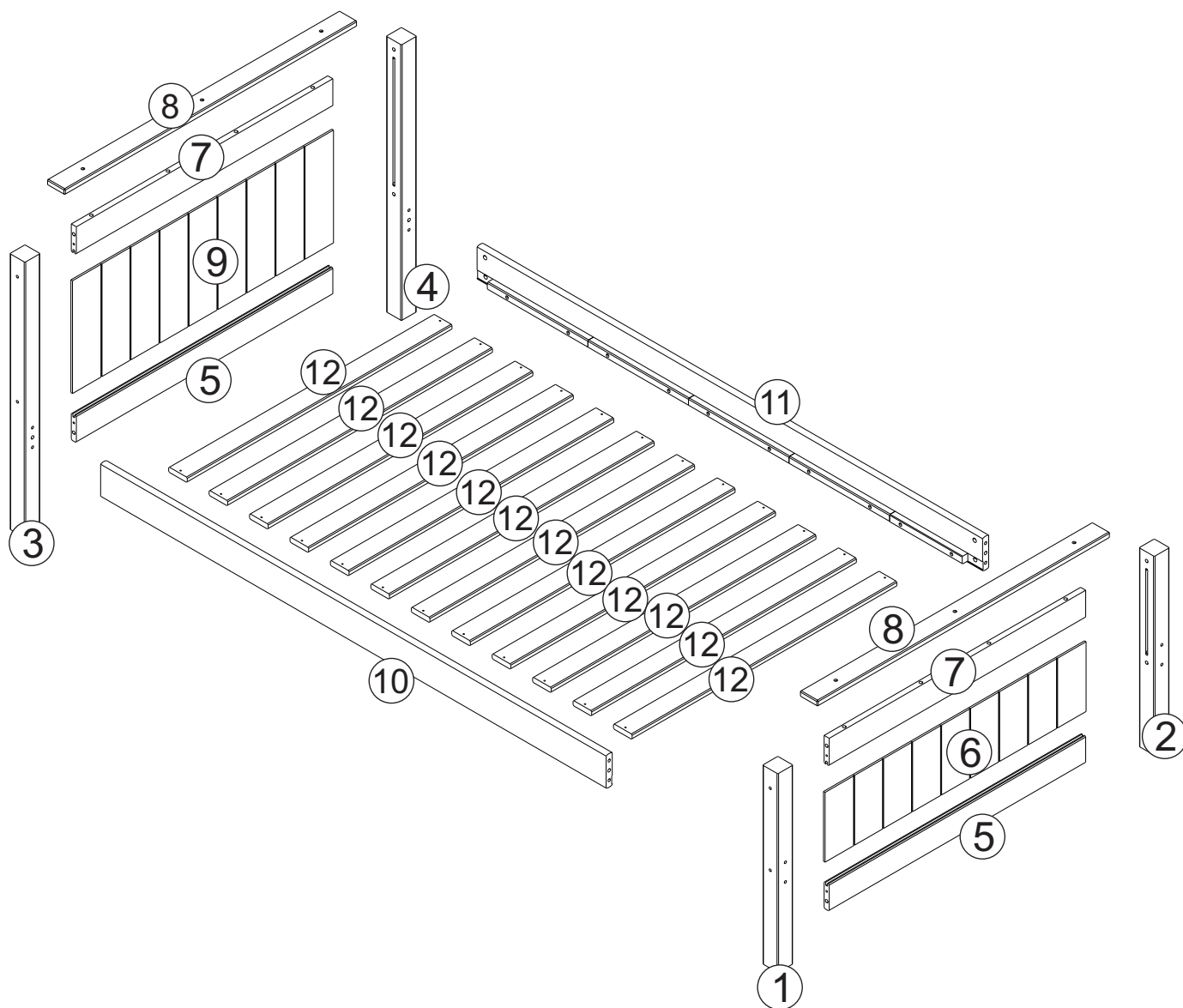


(Not included)




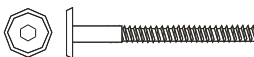
(Not included)

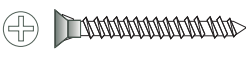
Part List - Twin Harmony Bed




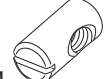
Identifying the Hardware-Identify the hardware using the illustrations below.

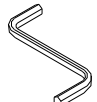
A  **08**
1/4 x 100 x 17mm


B  **08**
7 x 100 x 17mm


C  **06**
4,0 x 40

D  **20**
10X40

E  **08**
1/4

F  **16**

G  **24**
4,0 x 35

H  **02**
82mm

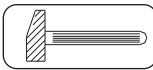
01

D

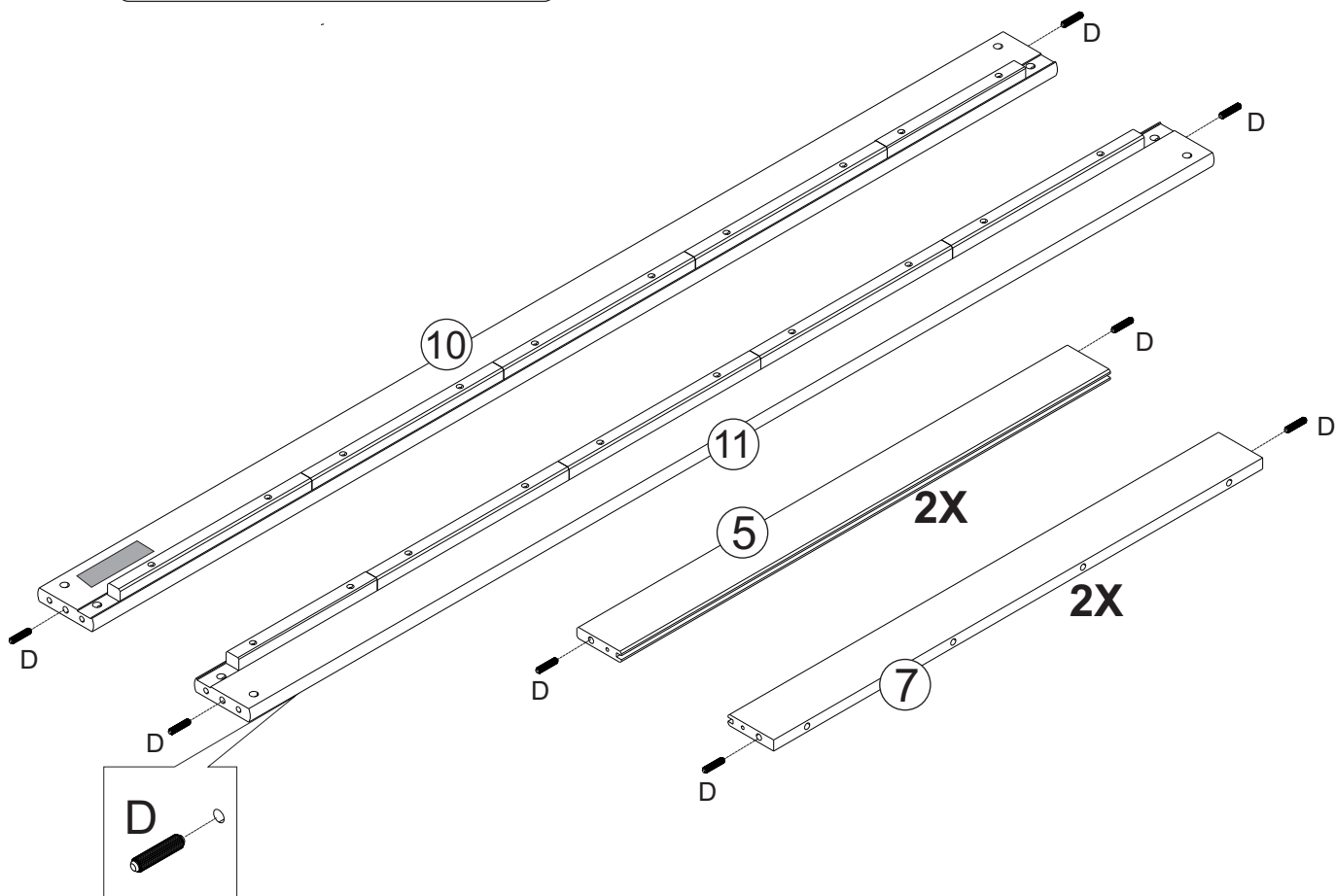


10X40

12

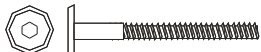


(Not included)



02

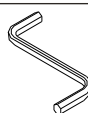
B



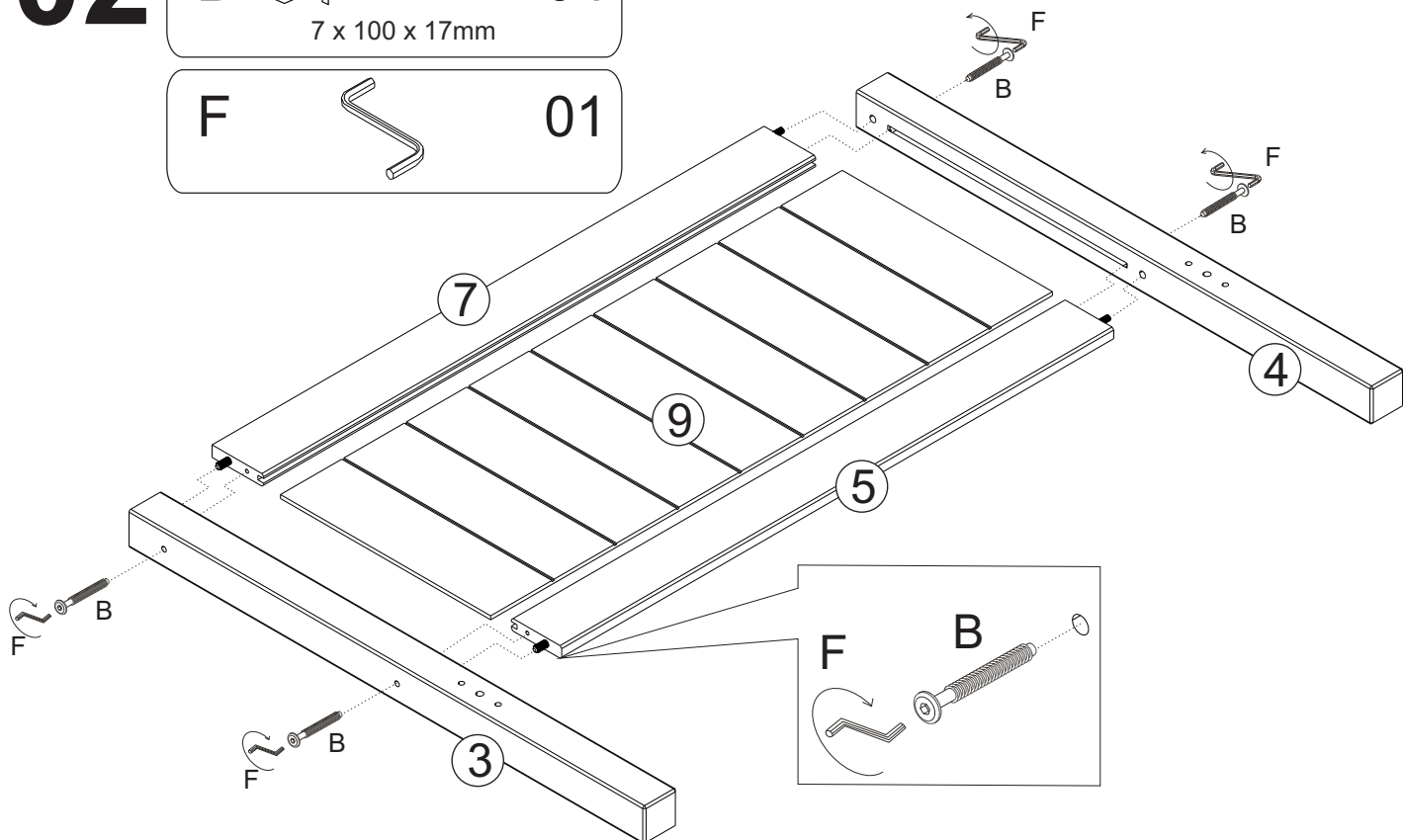
7 x 100 x 17mm

04

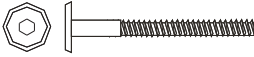
F

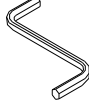


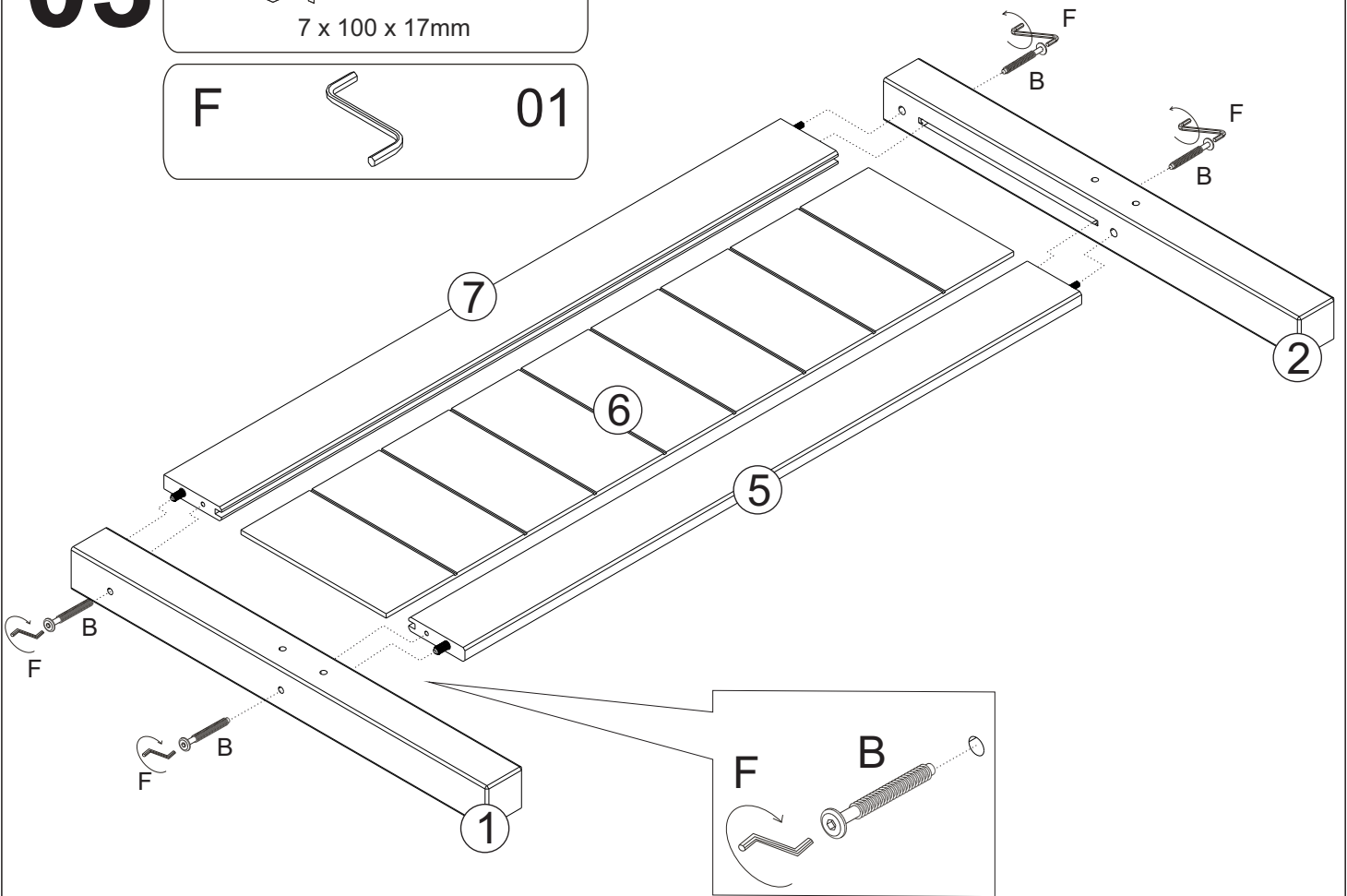
01




03

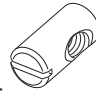
B  **04**
7 x 100 x 17mm

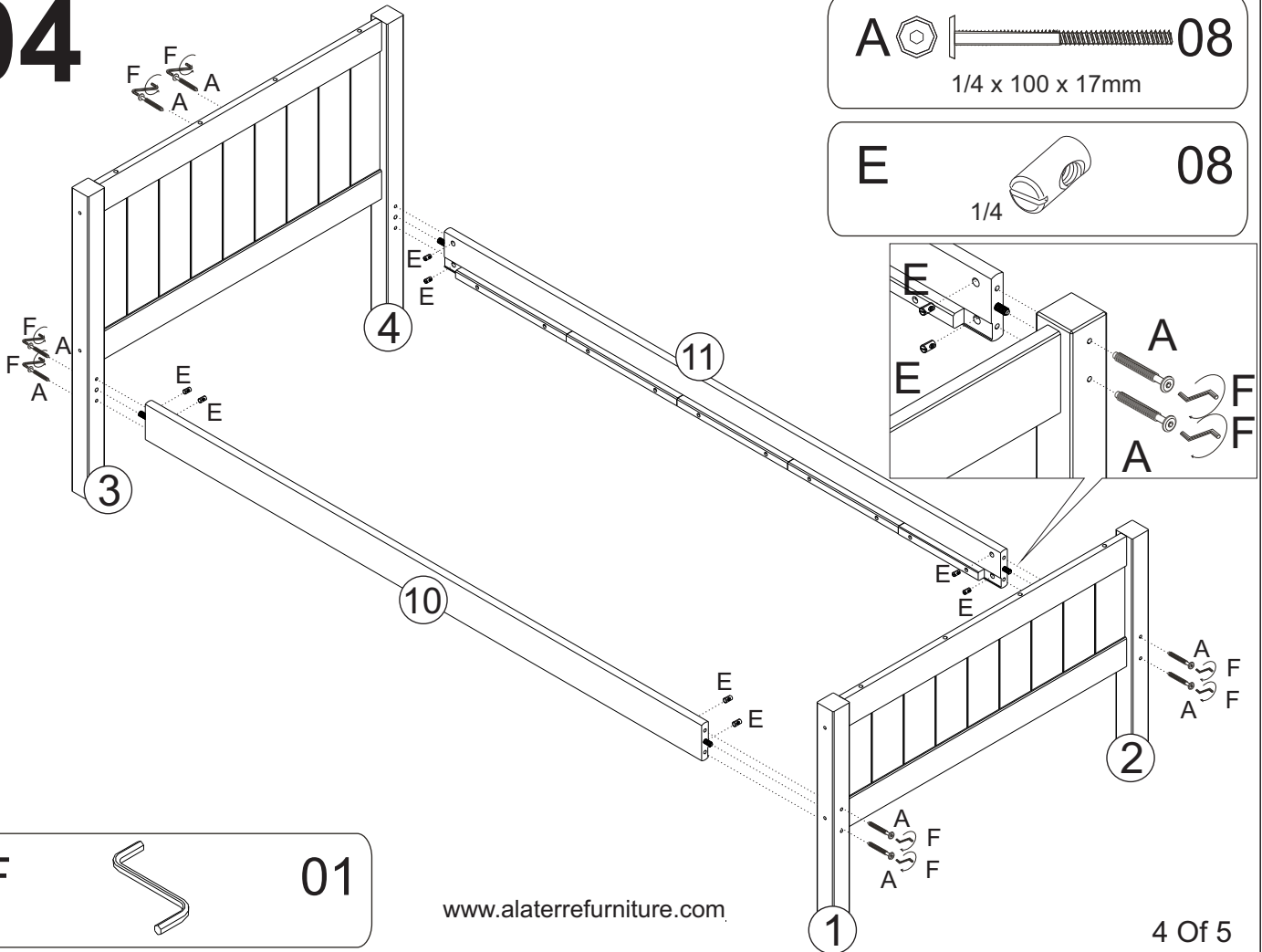
F  **01**



04

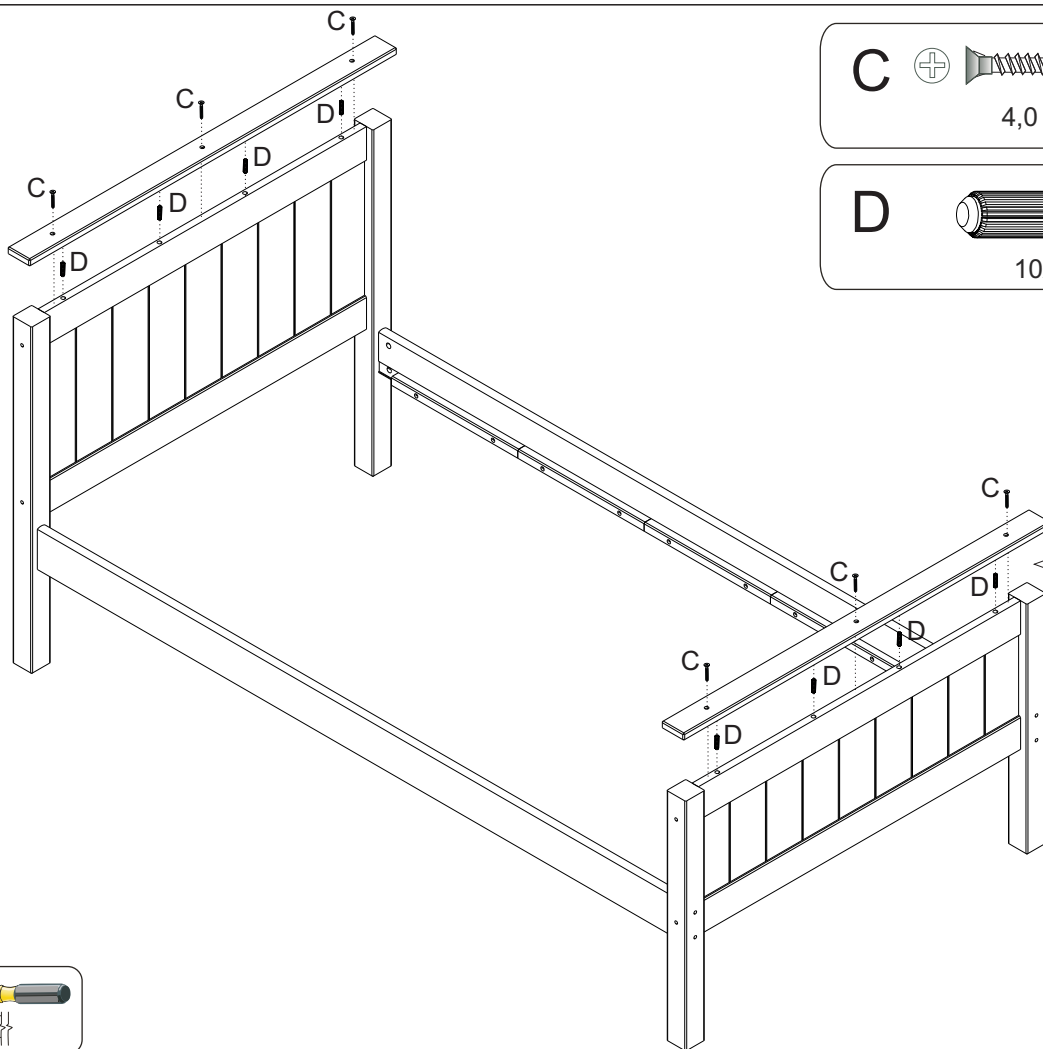
A  **08**
1/4 x 100 x 17mm


E  **08**
1/4

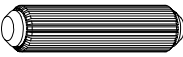


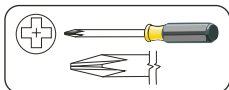
F  **01**

05

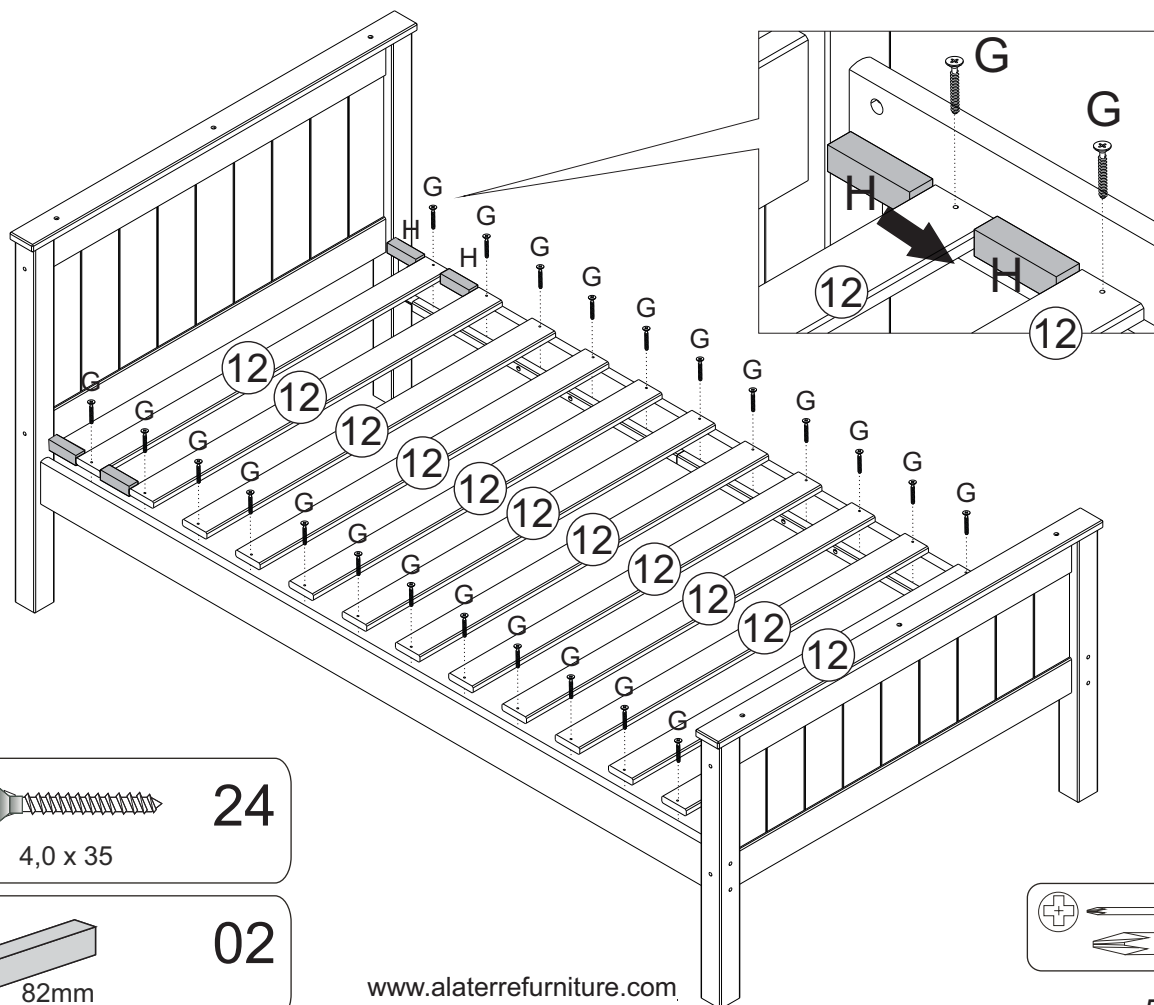



C  **06**
4,0 x 40

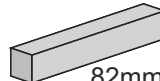
D  **08**
10X40



06



G  **24**
4,0 x 35

H  **02**
82mm

www.alaterrefurniture.com

