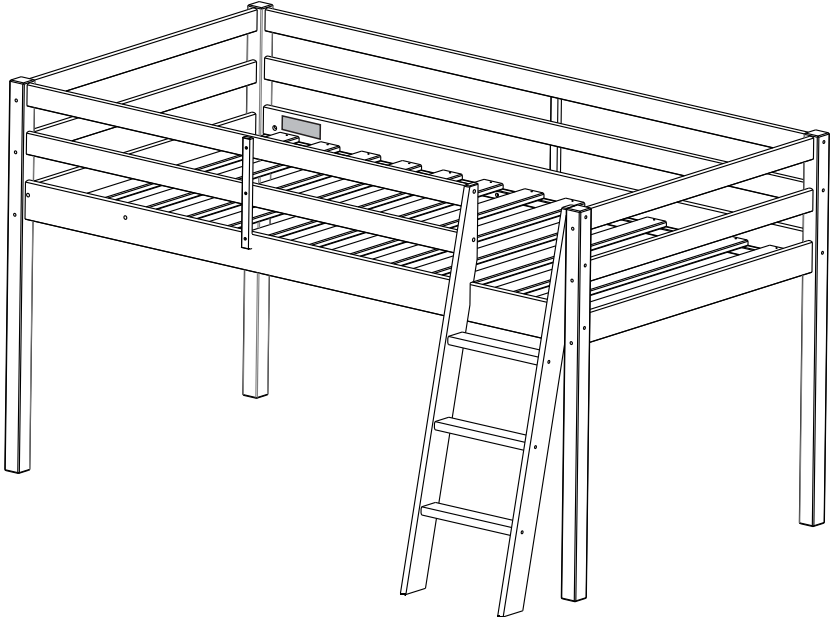
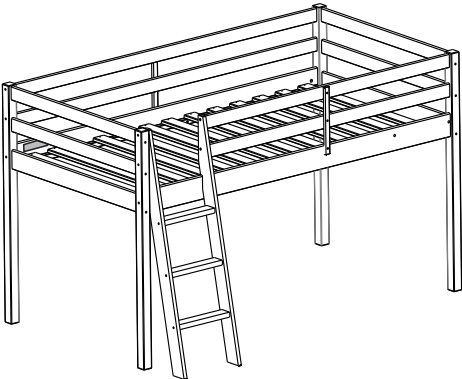


# ASSEMBLY INSTRUCTIONS

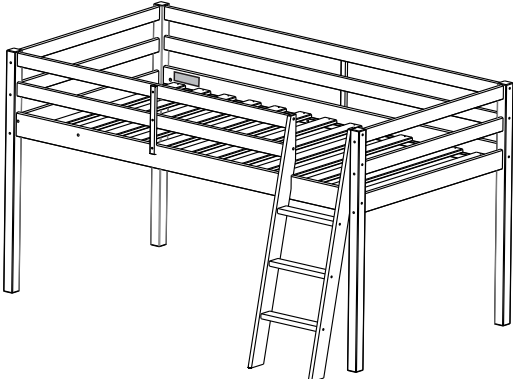
## ROXY JR LOFT



**OPTION 1**

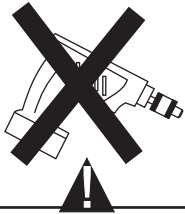


**OPTION 2**

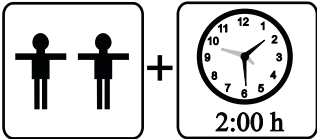


### REPLACEMENT PARTS

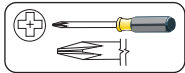
Please do not contact the company purchased from as we can help you faster.  
Order replacement parts and hardware at "[alaterrefurniture.com](http://alaterrefurniture.com)"



\* Use of power tool to assemble this product will invalidate any claim and damage this product making unsafe !!!  
\* Please assemble on a clean soft surface to avoid damage.



### Tools Required

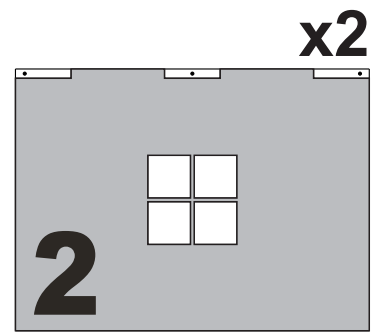
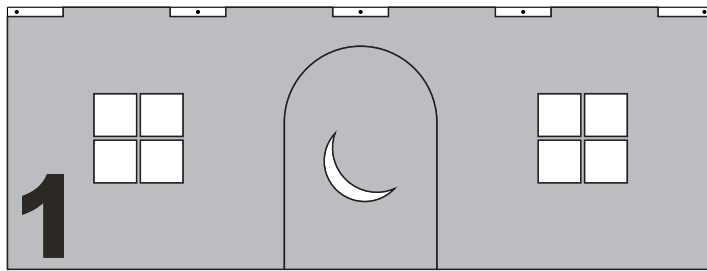
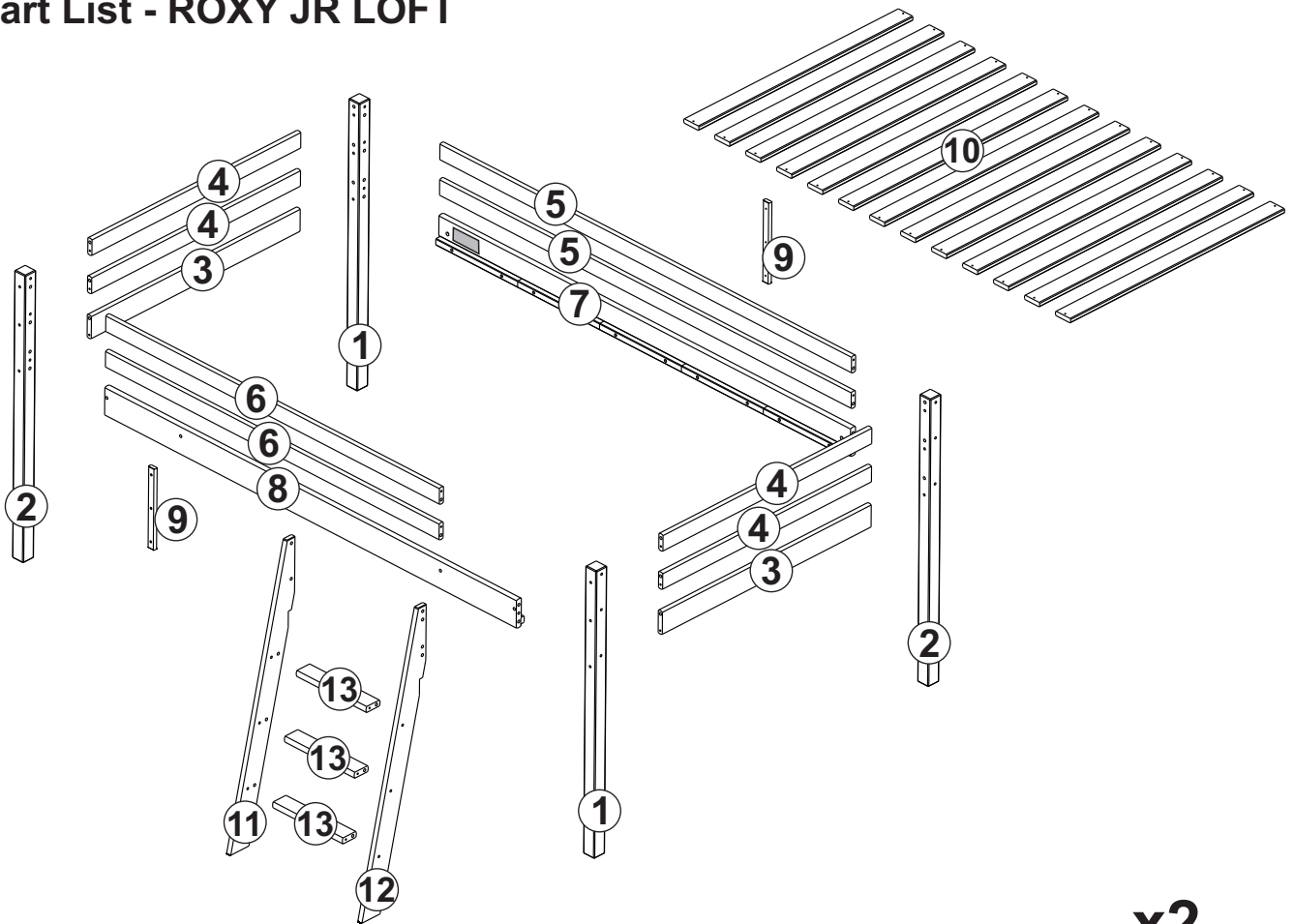


(Not included)


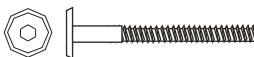






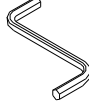




(Not included)

# Part List - ROXY JR LOFT



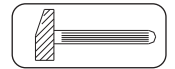
**Identifying the Hardware**-Identify the hardware using the illustrations below.

<p><b>A</b>  <b>04</b> 1/4 x 100 x 17mm</p>	<p><b>B</b>  <b>18</b> 7 x 90 x 17mm</p>	<p><b>C</b>  <b>06</b> 4.0 X 30</p>
<p><b>D</b>  <b>10</b> 7 x 60 x 17mm</p>	<p><b>E</b>  <b>04</b> 1/4</p>	<p><b>F</b>  <b>34</b> 10X40</p>
<p><b>G</b>  <b>02</b></p>	<p><b>H</b>  <b>26</b> 4,0 x 35</p>	<p><b>I</b>  <b>02</b></p>
<p><b>K</b>  <b>11</b> 3,5 x 16</p>	<p><b>L</b>  <b>01</b></p>	

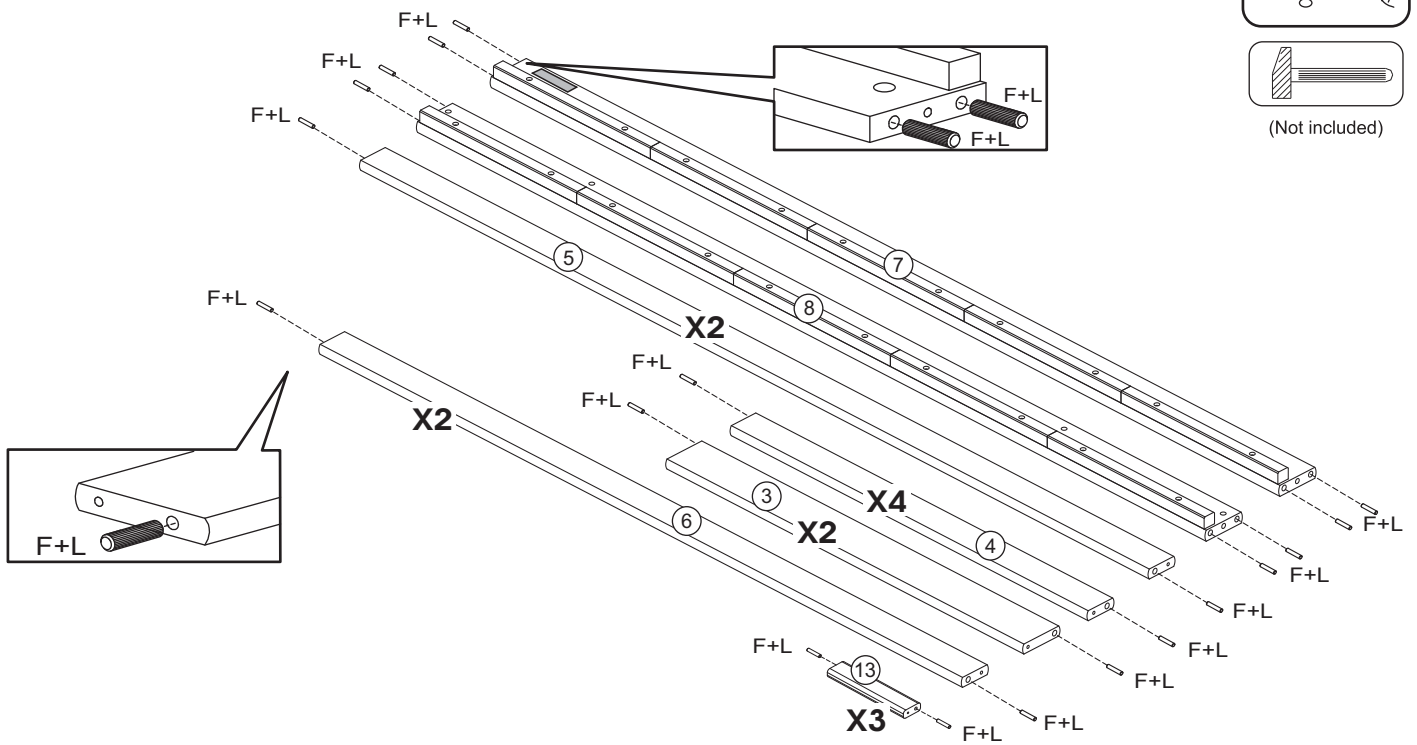
# 01

**F**

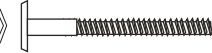
10X40

**34****L****01**

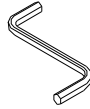
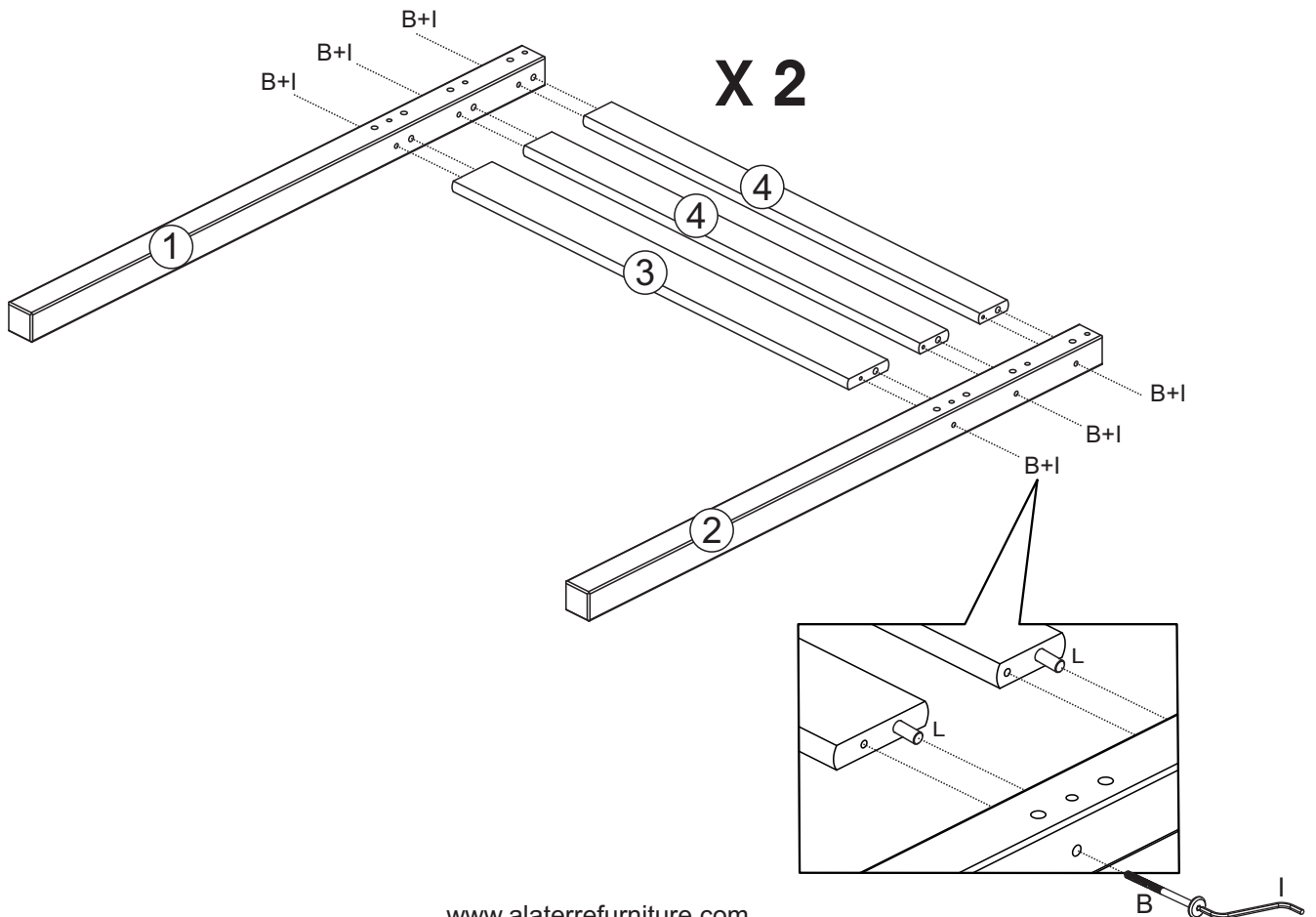
(Not included)




# 02

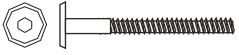
**B**

7 x 90 x 17mm

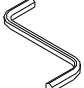
**12****I****01**

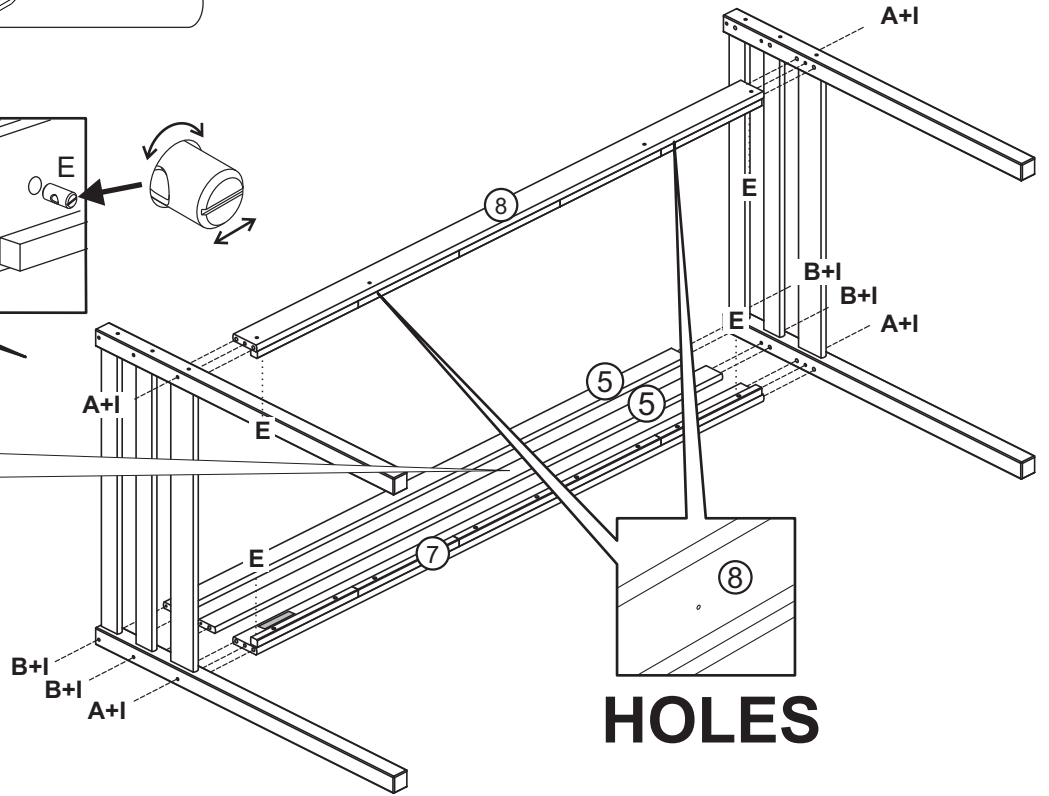
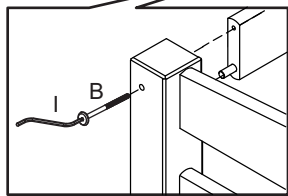
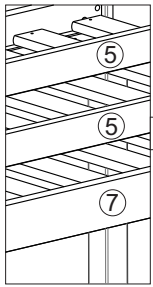
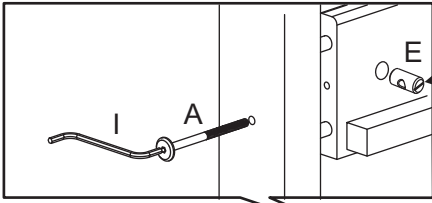
# 03

**A**  **04**  
1/4 x 100 x 17mm

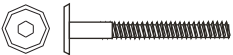
**B**  **04**  
7 x 90 x 17mm

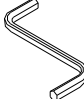
**E**  **04**  
1/4

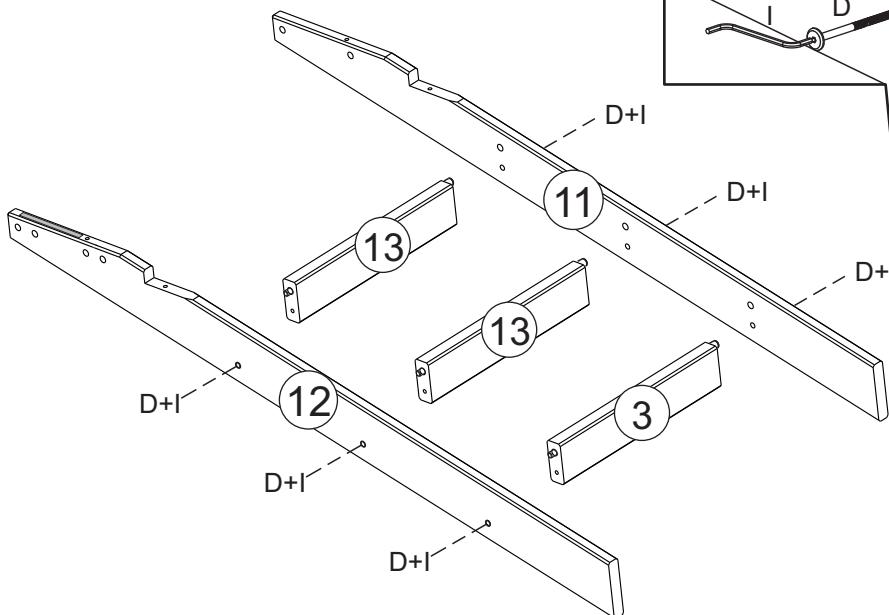
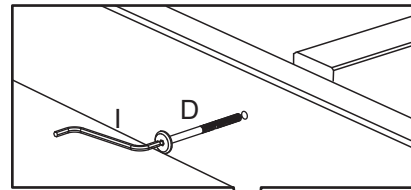
**I**  **01**



# 04

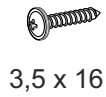
**D**  **06**  
7 x 60 x 17mm

**I**  **01**

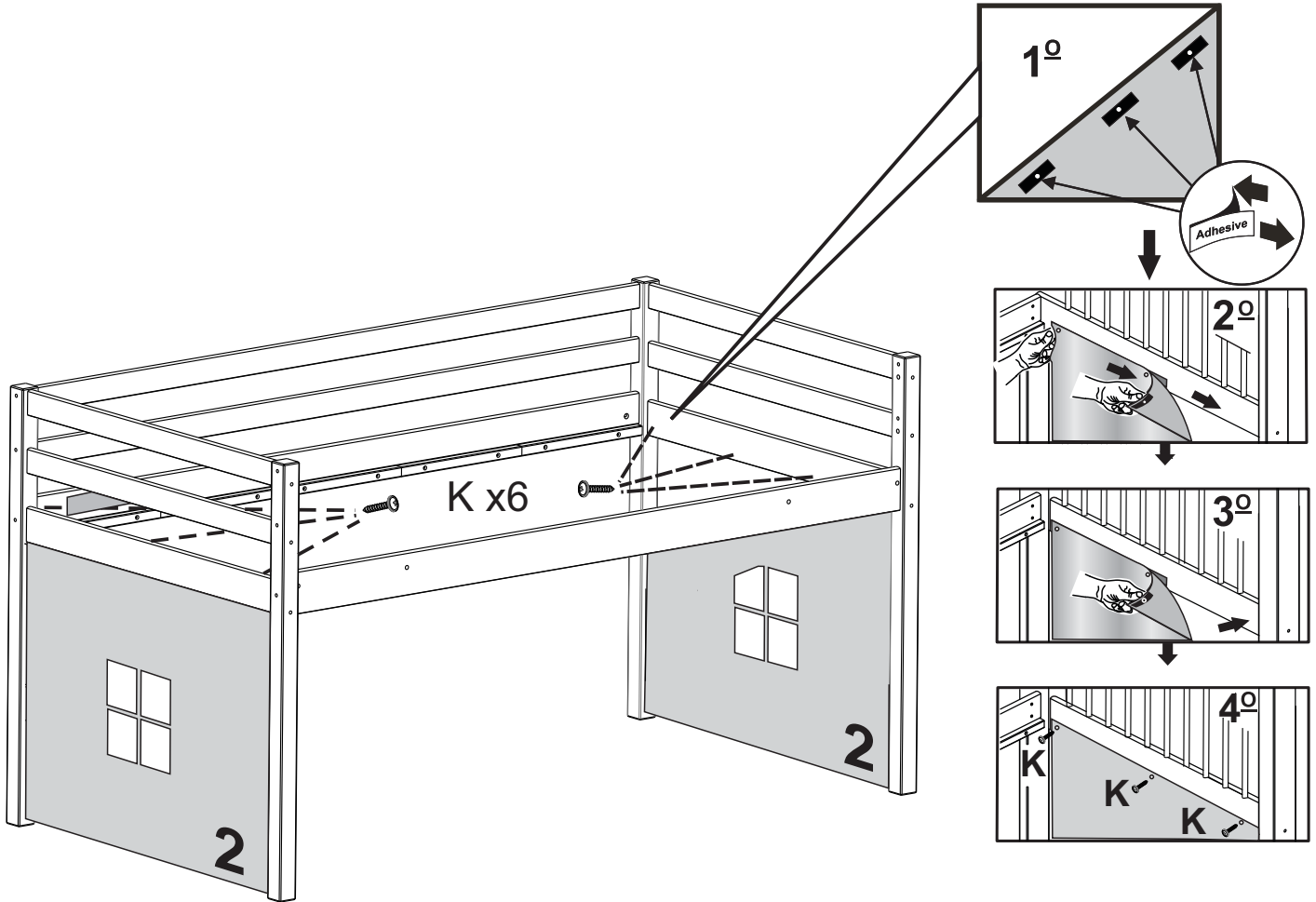


# 05

K



06



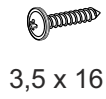
## ATTENTION

Please remove the fine paper glued (Adhesived) on the velcro applied on the **Tent**. After this step, hold tight the **Tent** on both ends to fix on the crossbars on instructions.

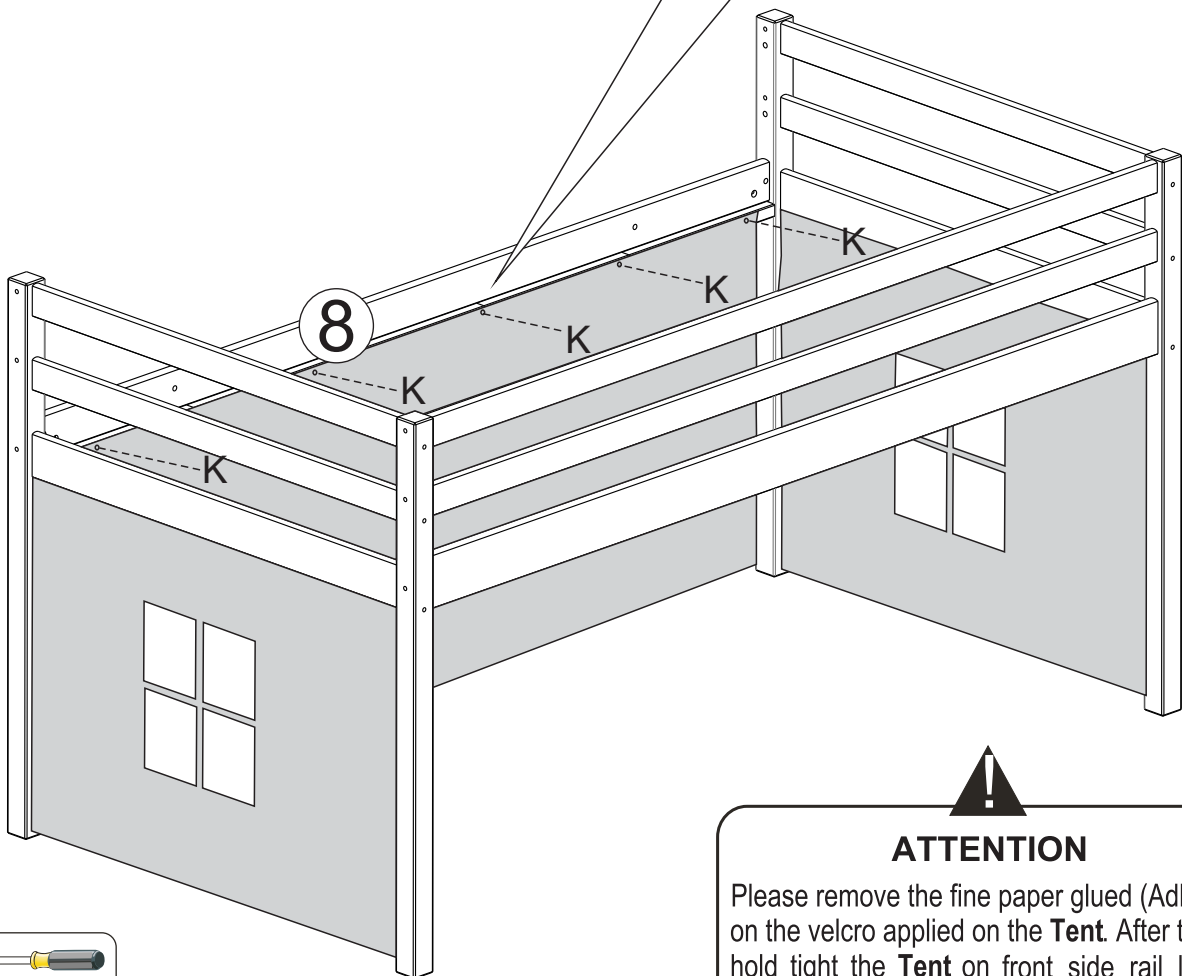
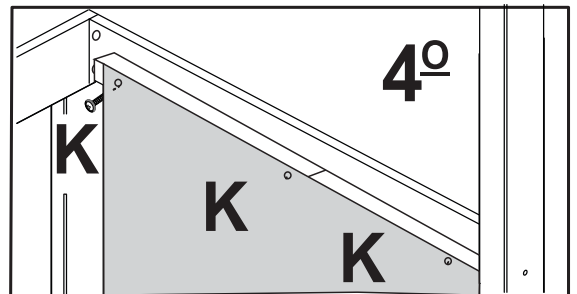
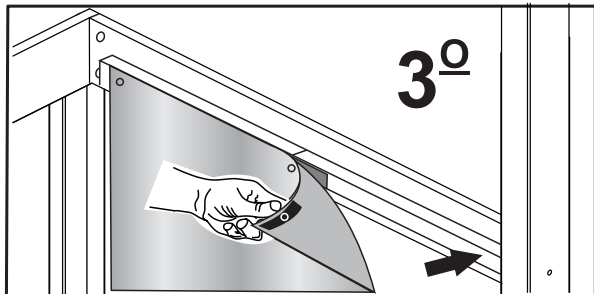
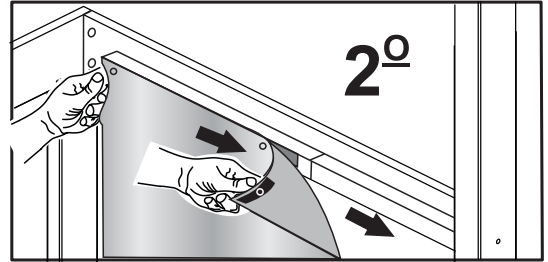
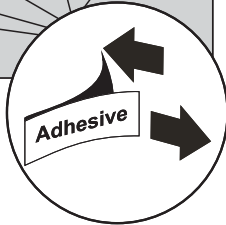
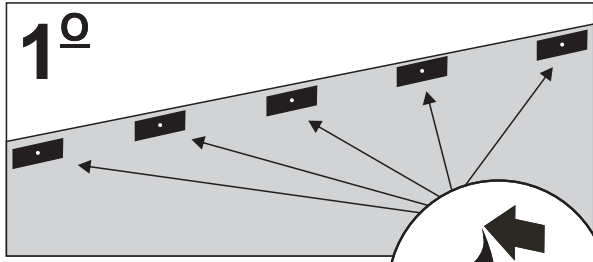


# 06

K

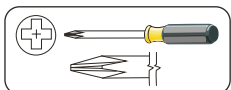


05

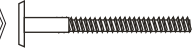


## ATTENTION

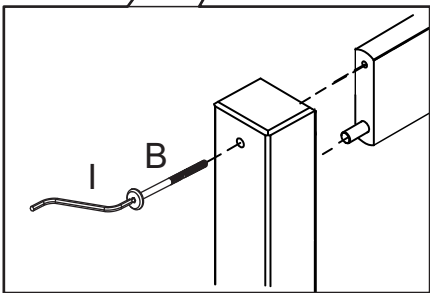
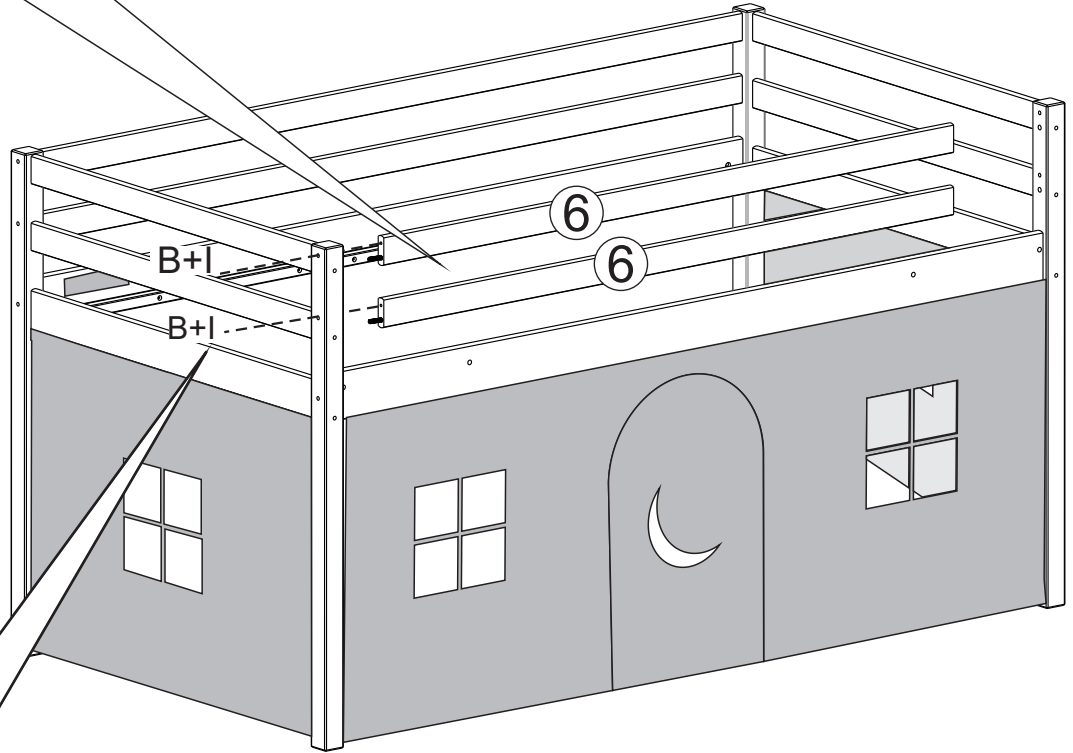
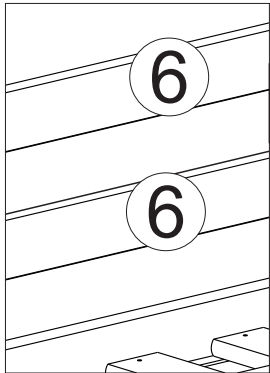
Please remove the fine paper glued (Adhesived) on the velcro applied on the **Tent**. After this step, hold tight the **Tent** on front side rail like showing on instructions.



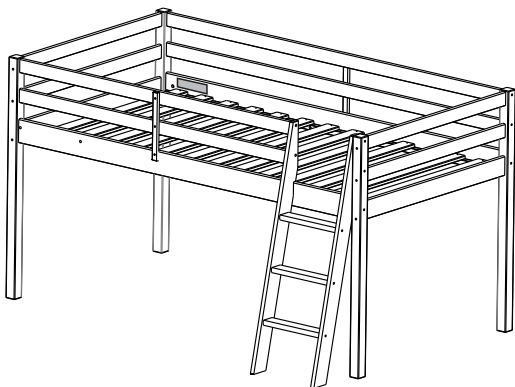
# 07

**B****02**

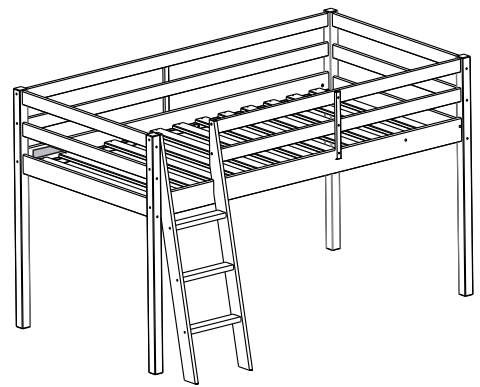
7 x 90 x 17mm

**I****01**


## OPTION 1



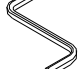
## OPTION 2



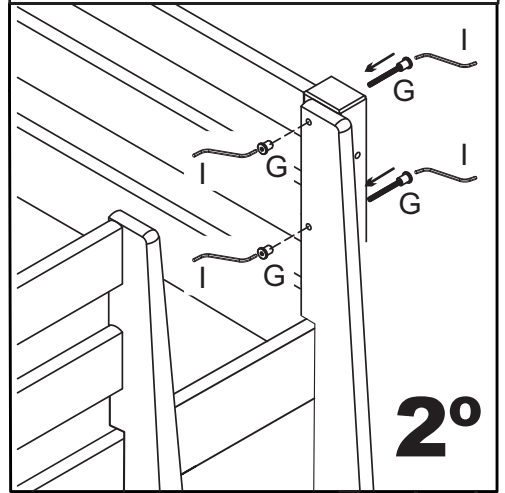
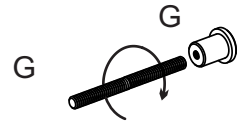
# 08

D  04  
7 x 60 x 17mm

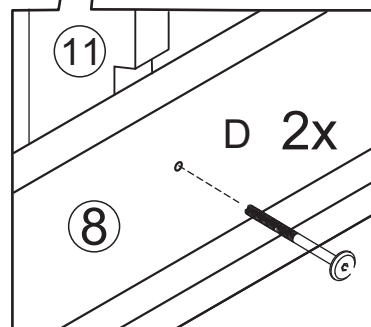
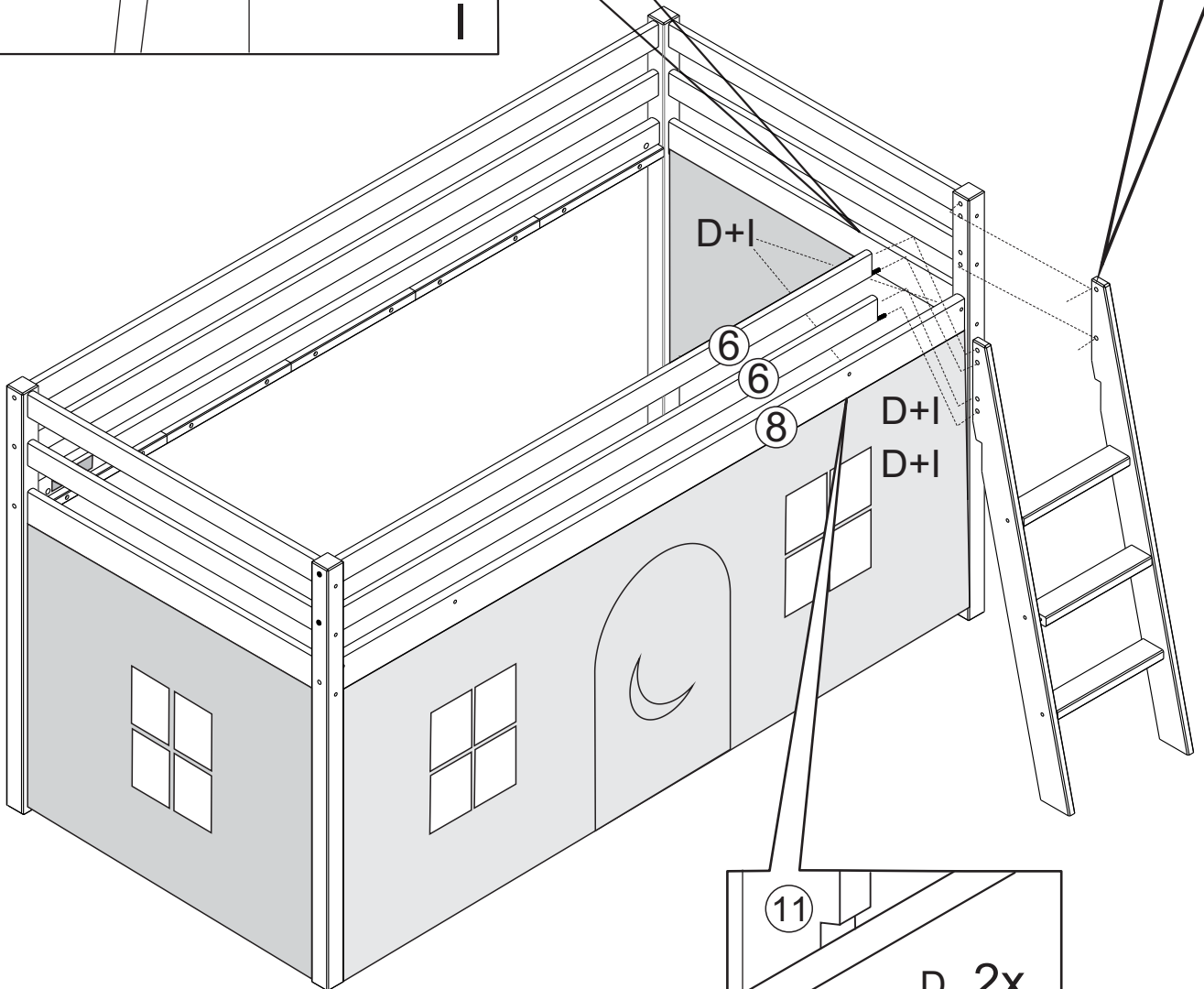
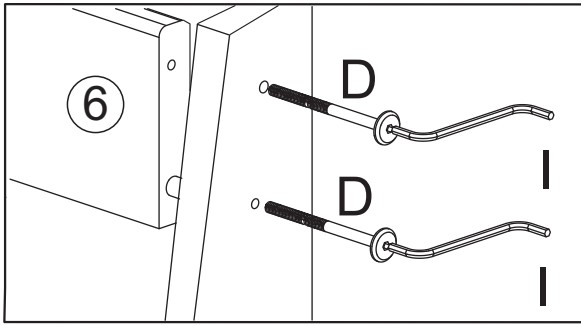
G  02

I  02

## 1°



## 2°





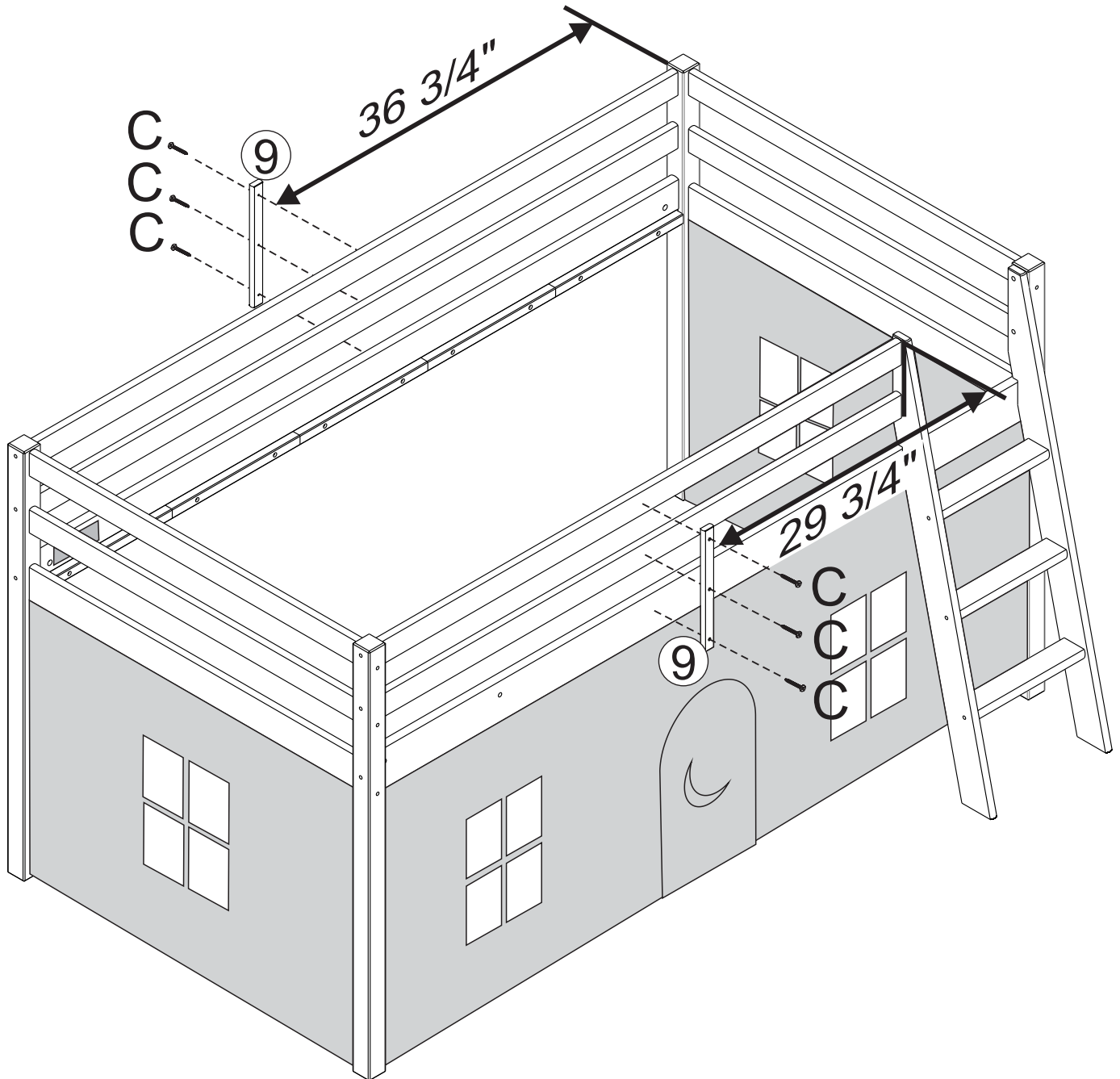
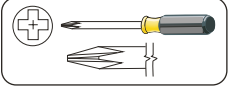
# 09

C



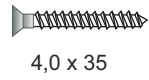
4.0 X 30

06



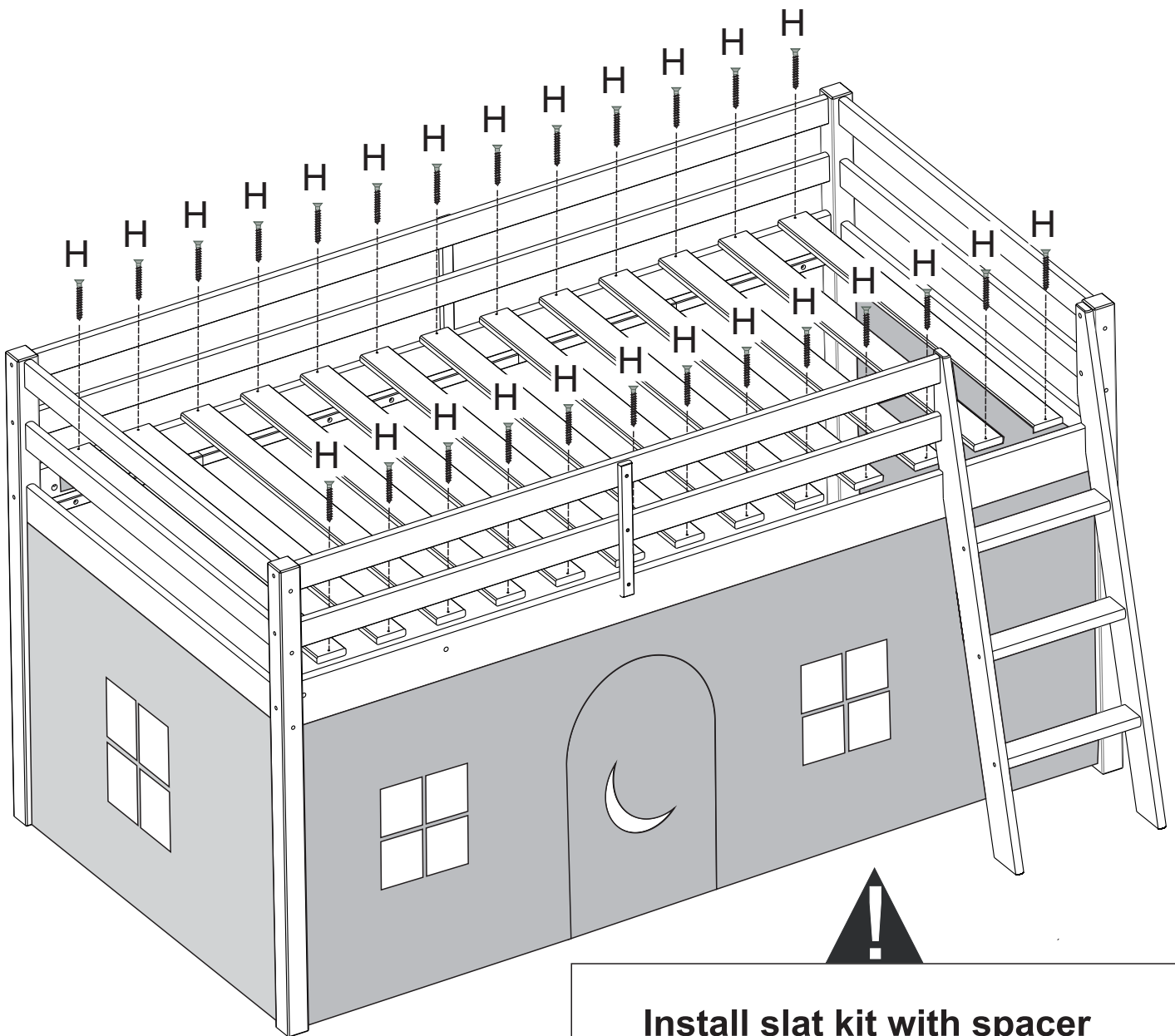
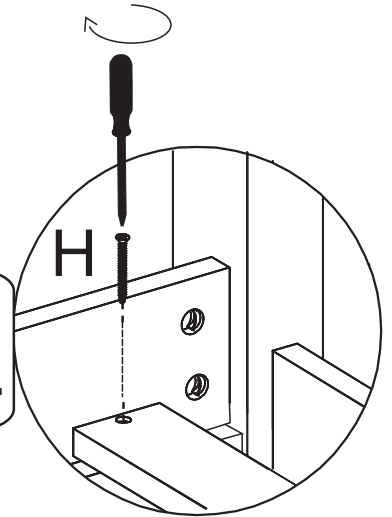
# 10

H



26

**The first slat must be fixed here at 2 1/4" from each headboard end.**



**Install slat kit with spacer tape on top (Facing up).**