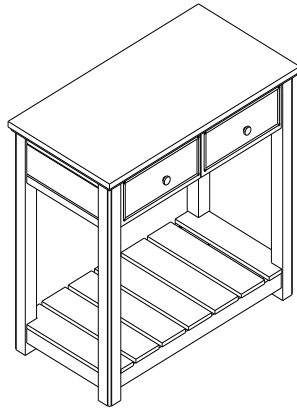


# Alaterre Furniture

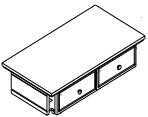

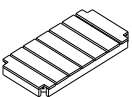
## Savannah 30 & 40" Console







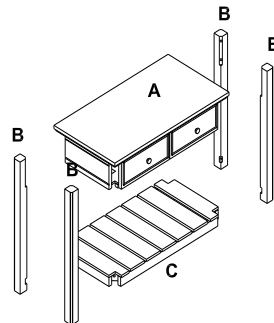
Thank you for purchasing the Savannah Console from **ALATERRE FURNITURE**. We have found it helpful to have a second person present during the assembly process.

### Console Assembly Instructions

#### Parts

NO.	DRAWING	DESCRIPTION	QTY.
A		TOP	1
B		POST	4
C		BOTTOM	1

NO.	DRAWING	DESCRIPTION	QTY.
D		<b>M6*45MM BOLT</b>	12
E		WRENCH	1
F		<b>METAL KNOB</b>	2
G		<b>KNOB SCREW</b>	2



### Step 1

Read through these instructions thoroughly before beginning assembly. We have found this to be of great value when assembling this product.

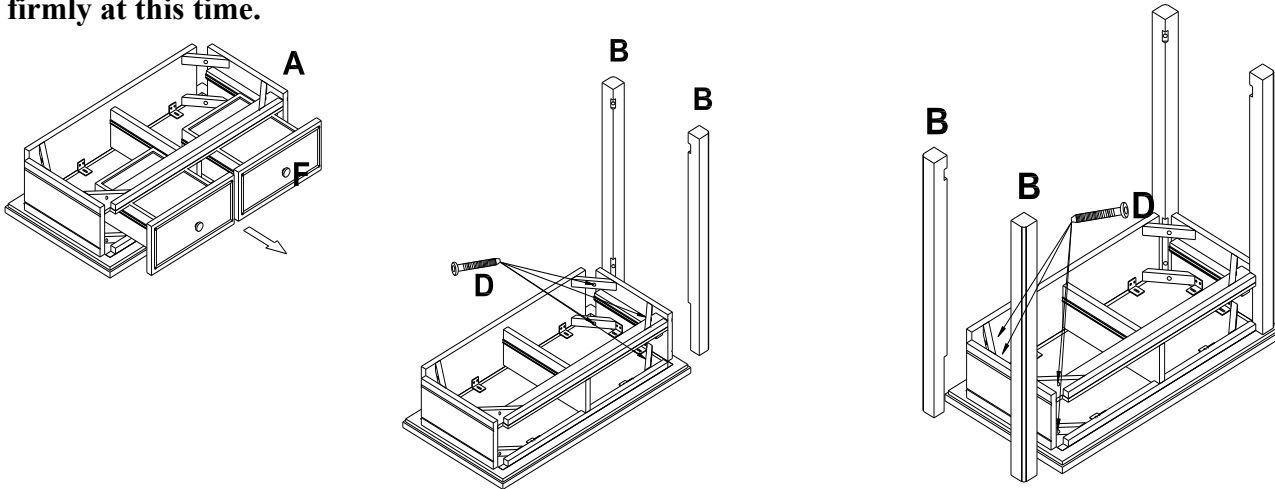
### Step 2

Remove all parts and hardware from packing material. Wooden pieces should be placed on a non abrasive surface to prevent damage to the finish.

---

### Step 3

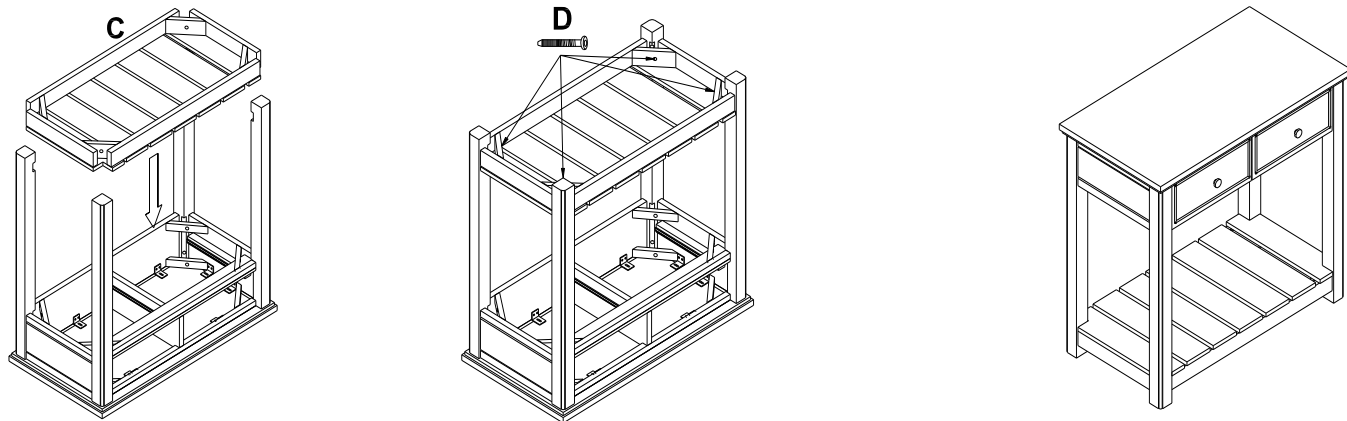
Remove the Drawers from Top Assembly (A). Lay Top Assembly (A) upside down on a non abrasive surface. Attach 4 Posts (B) using 8-45MM Hex Bolts (D). **NOTE: Do not tighten firmly at this time.**



---

### Step 4

Position Bottom (C) between Post (B) Attach Bottom using 4-45MM Hex Bolts (D). **Note: TIGHTEN ALL BOLTS AT THIS TIME!** Set console upright. Attach wooden knob to outside of drawer fronts. Insert the Drawers in to the Top Assembly.



---

### CARE

Clean with a non abrasive cloth using a mild soap. Make sure to wipe dry.

---

### REPLACEMENT PARTS:

For best service, to order replacement parts go to [www.alaterrefurniture.com](http://www.alaterrefurniture.com). Use the order form on the web site to order your replacement parts. **Thank You!**