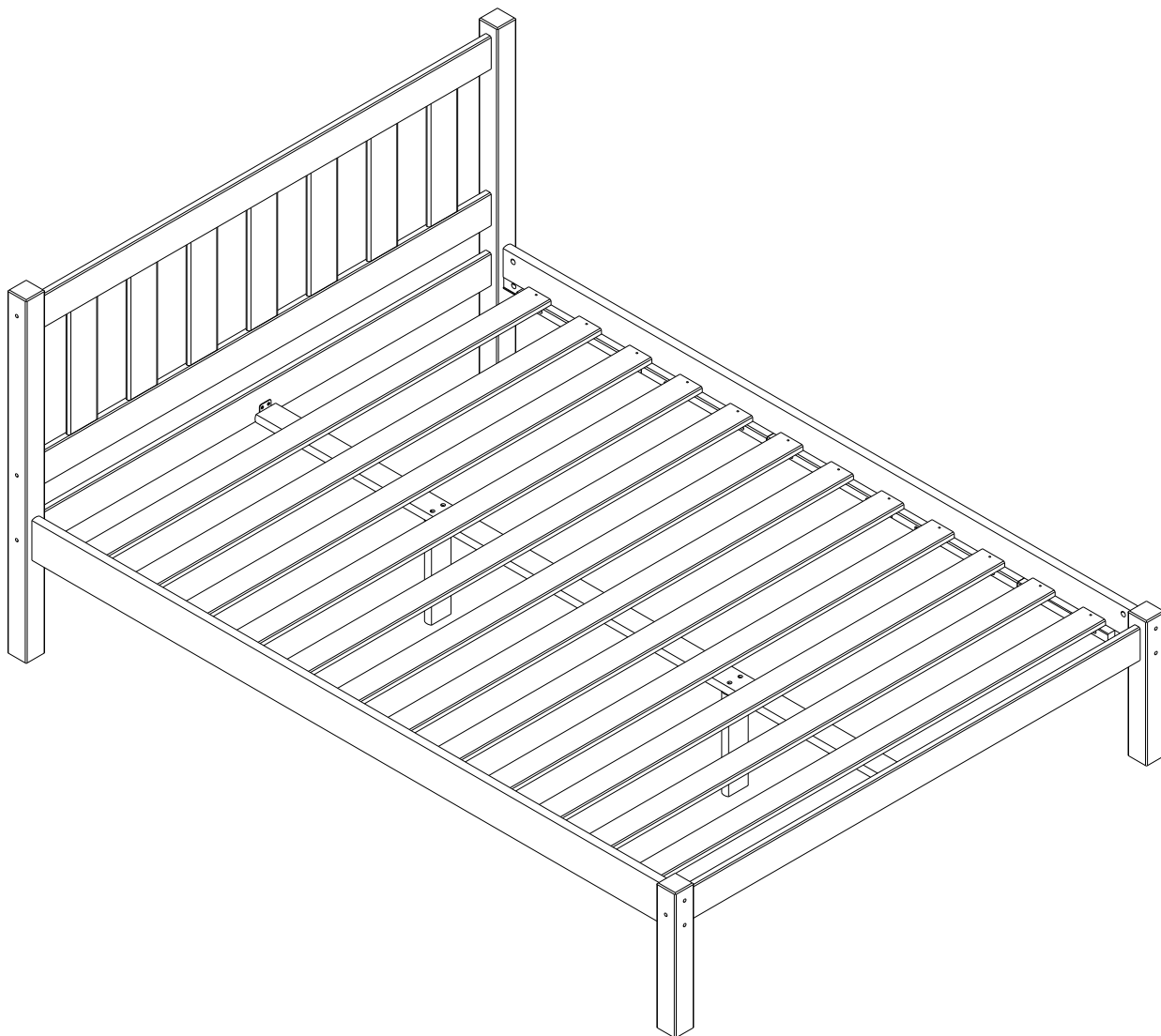


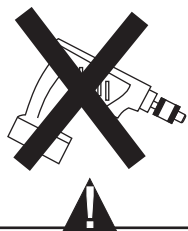
# ASSEMBLY INSTRUCTIONS

## FULL POPPY BED

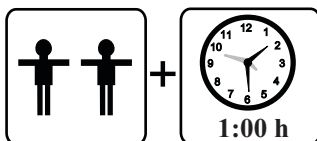


### REPLACEMENT PARTS

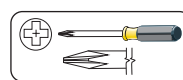
Please do not contact the company purchased from as we can help you faster.  
Order replacement parts and hardware at "[alaterrefurniture.com](http://alaterrefurniture.com)"



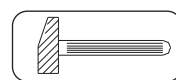
\* Use of power tool to assemble this product will invalidate any claim and damage this product making it unsafe !!!  
\* Please assemble on a clean soft surface to avoid damage.



### Tools Required

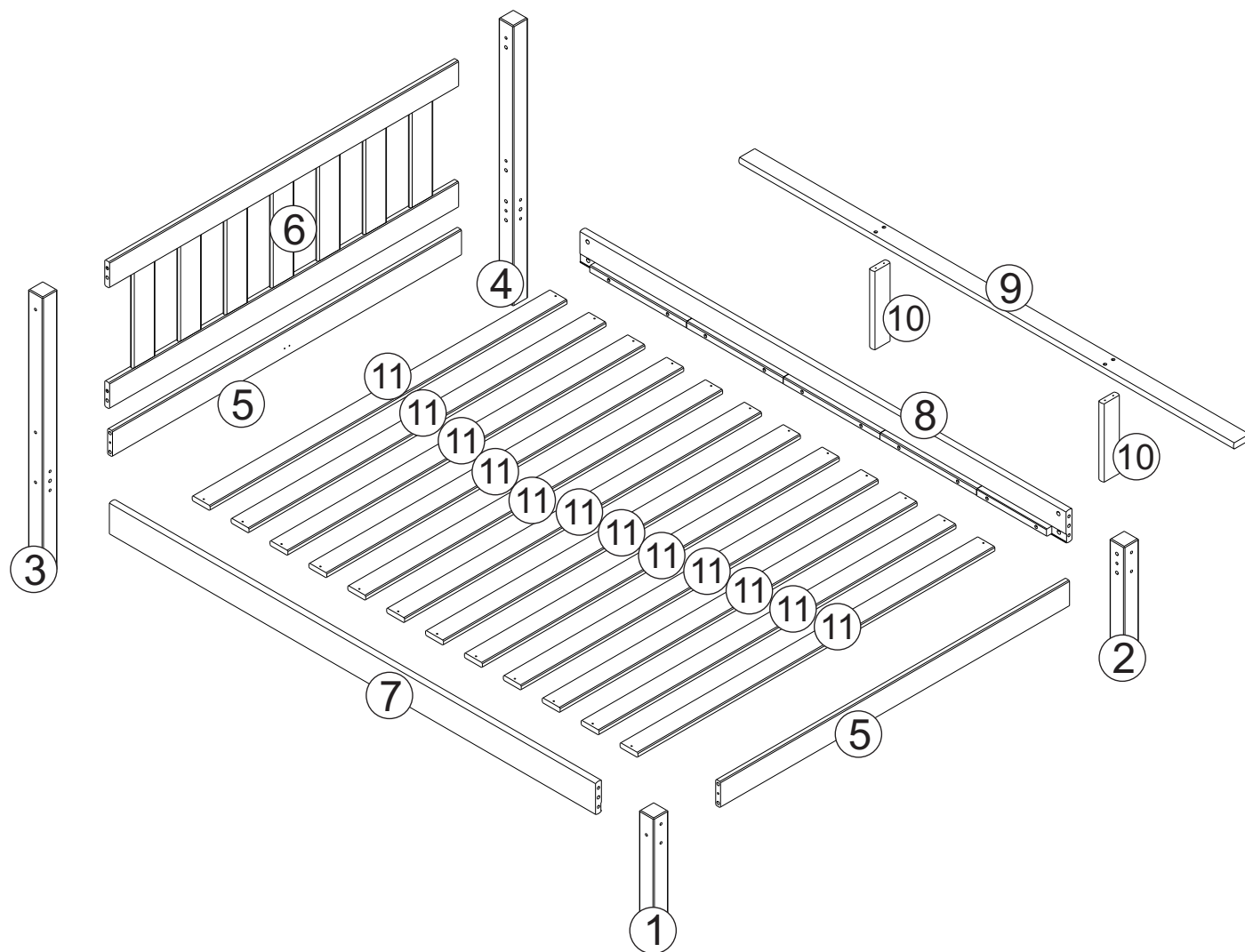


(Not included)


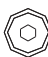




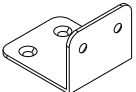
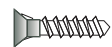
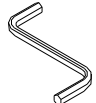



(Not included)

# Part List - Full Poppy Bed



**Identifying the Hardware**-Identify the hardware using the illustrations below.

<b>A</b>  08 1/4 x 100 x 17mm	<b>B</b>  08 7 x 100 x 17mm	<b>C</b>  24 4,0 x 35
<b>D</b>  16 10X40	<b>E</b>  08 1/4	<b>F</b>  04 4,0 x 50
<b>G</b>  02	<b>H</b>  08 3,5 x 16	<b>I</b>  01
<b>J</b>  02 82mm		

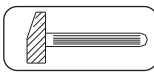
# 01

D

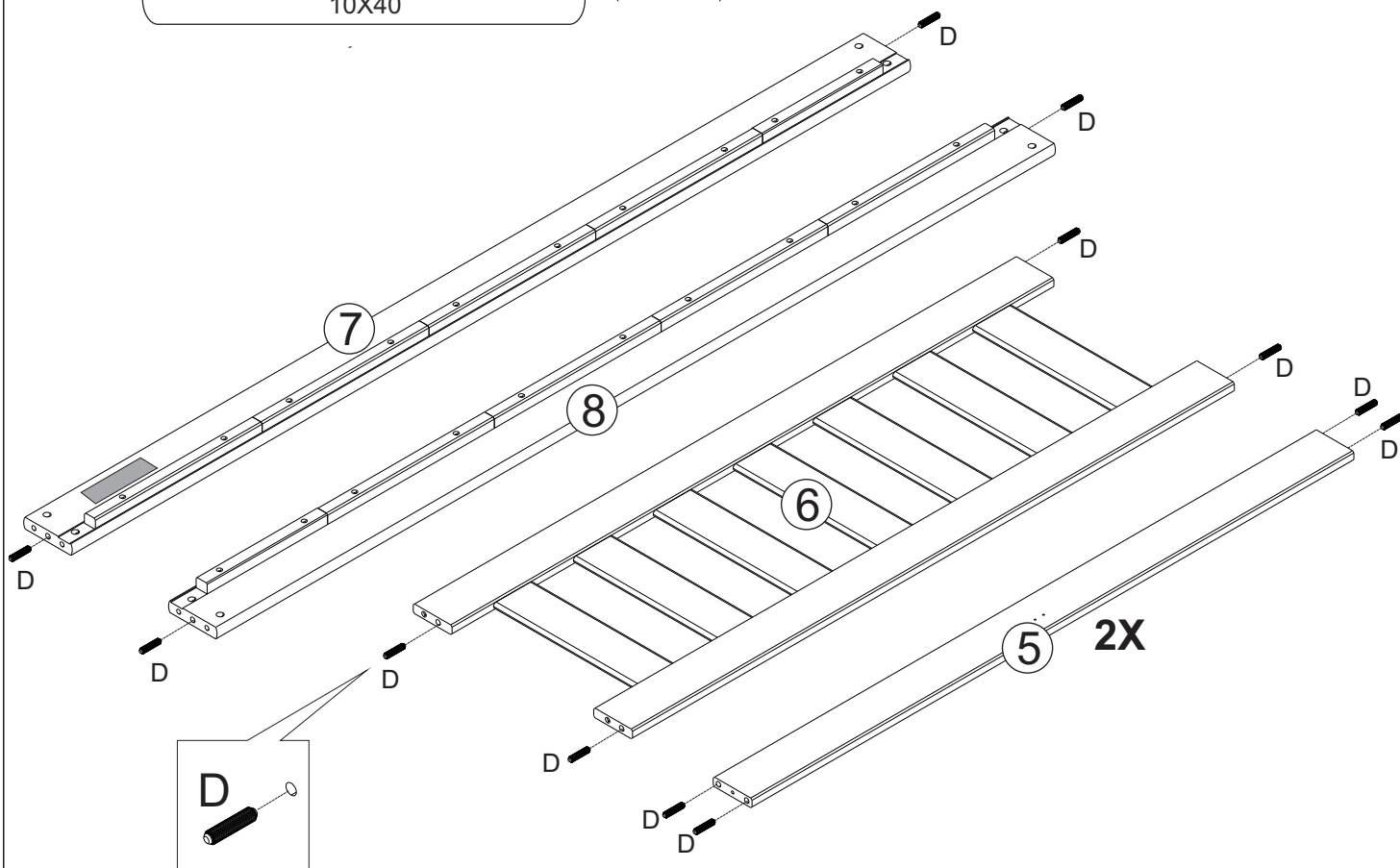


10X40

16



(Not included)



# 02

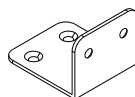
H



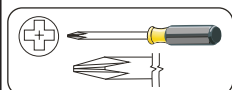
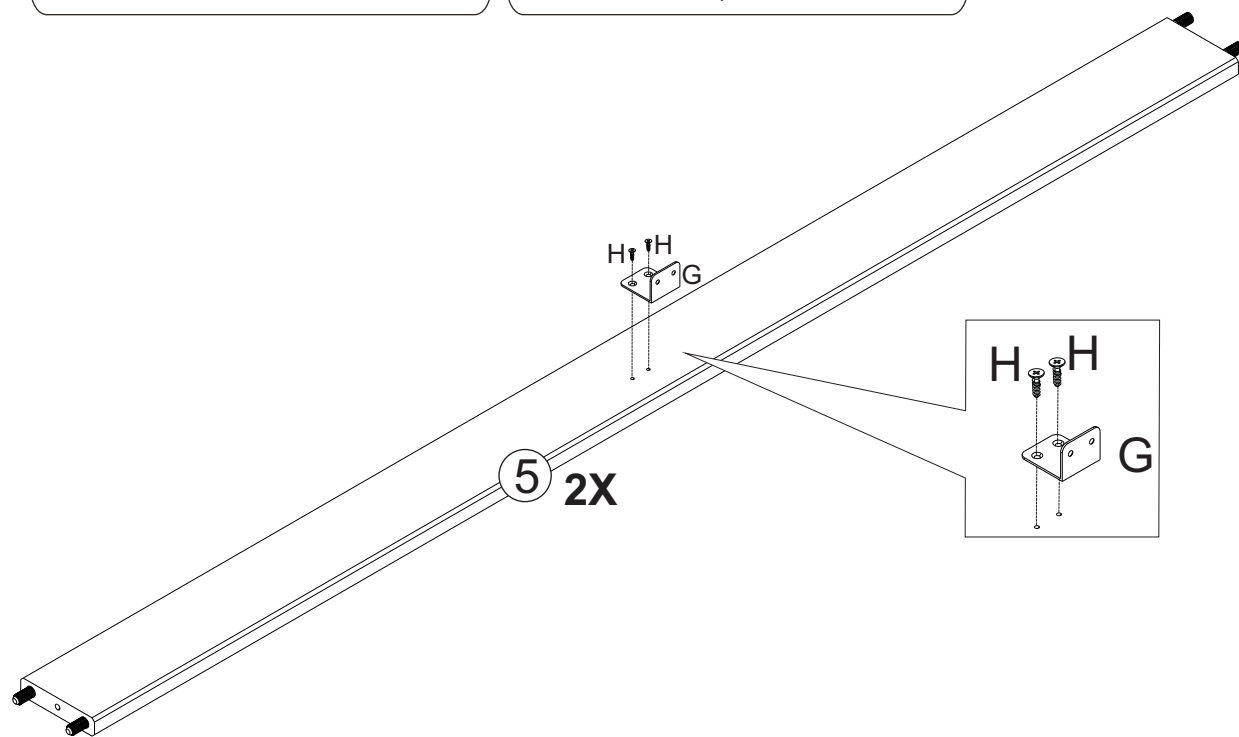
3,5 x 16

04


G

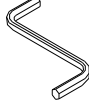


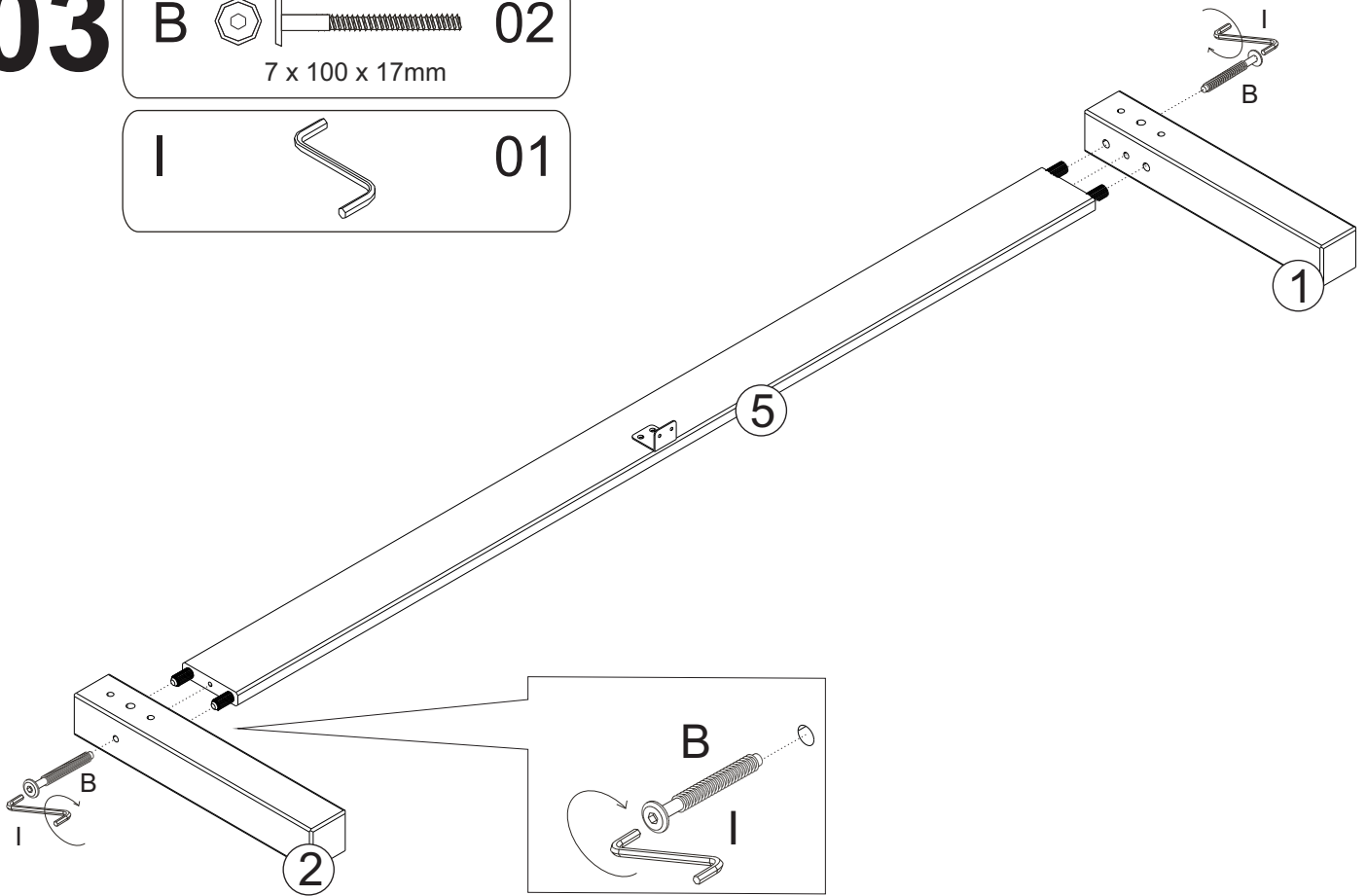
02




# 03

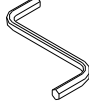
**B**  **02**  
7 x 100 x 17mm

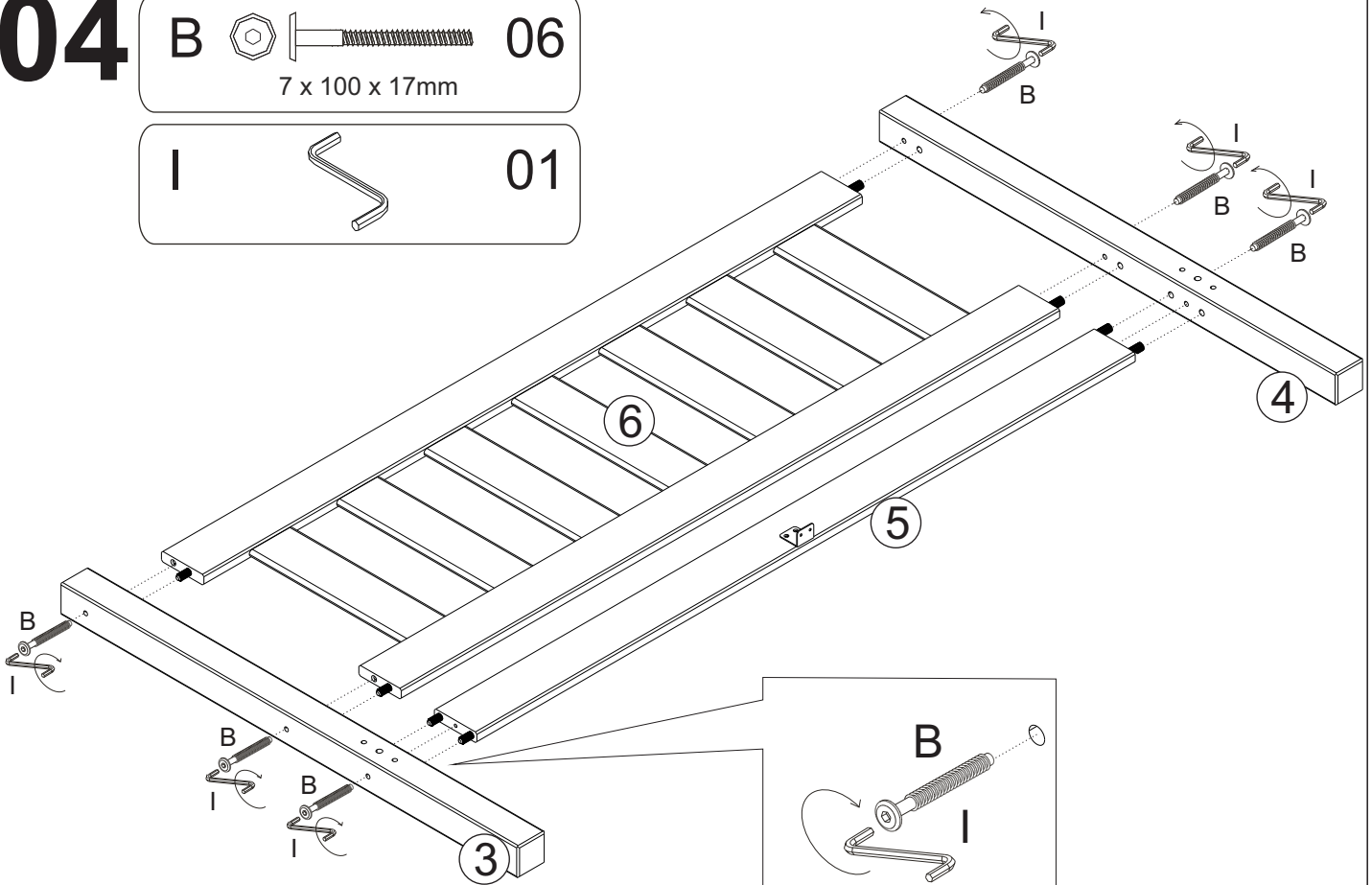
**I**  **01**




# 04

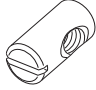
**B**  **06**  
7 x 100 x 17mm

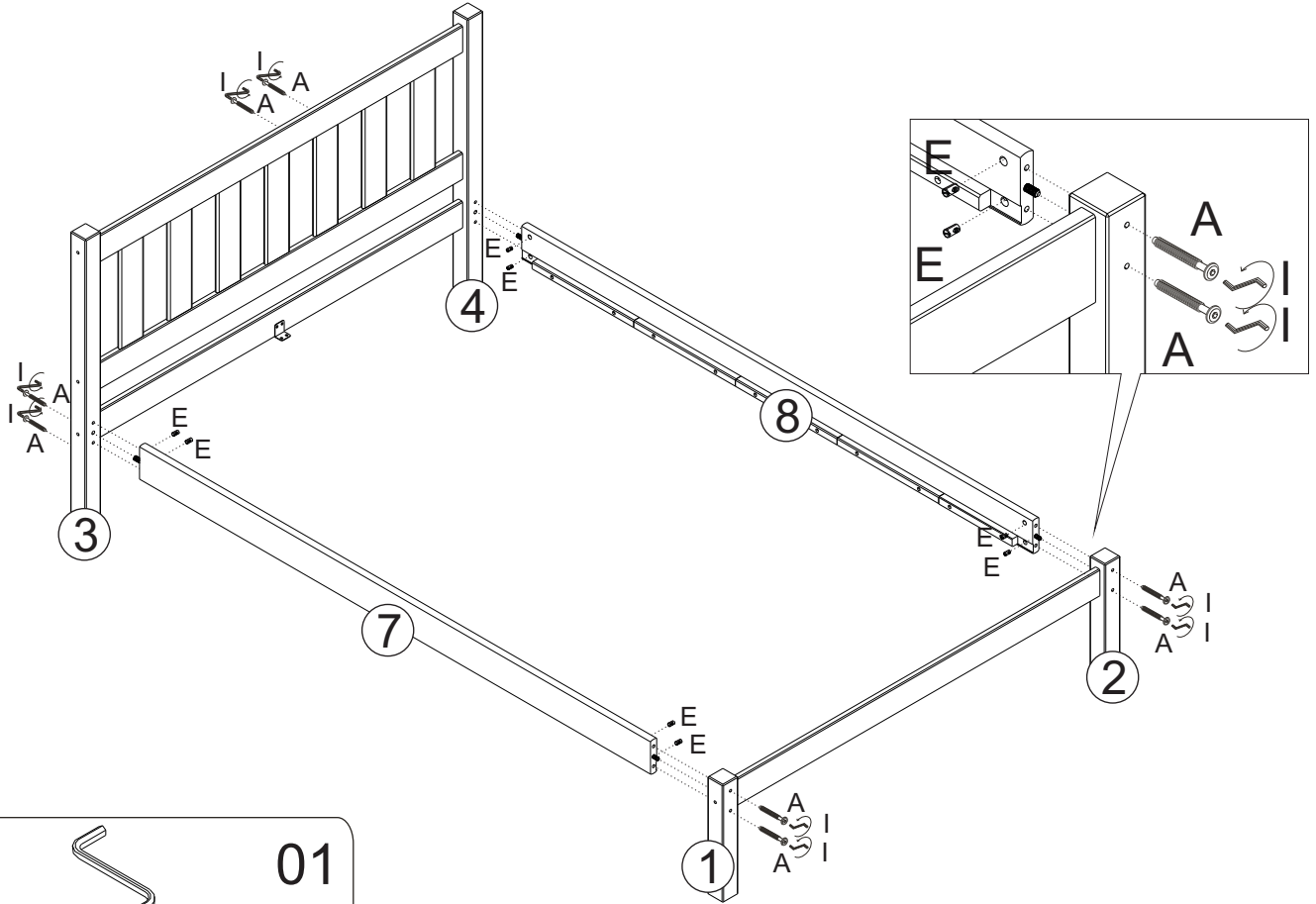
**I**  **01**

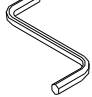


# 05


**A**  **08**  
1/4 x 100 x 17mm

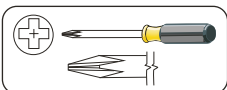
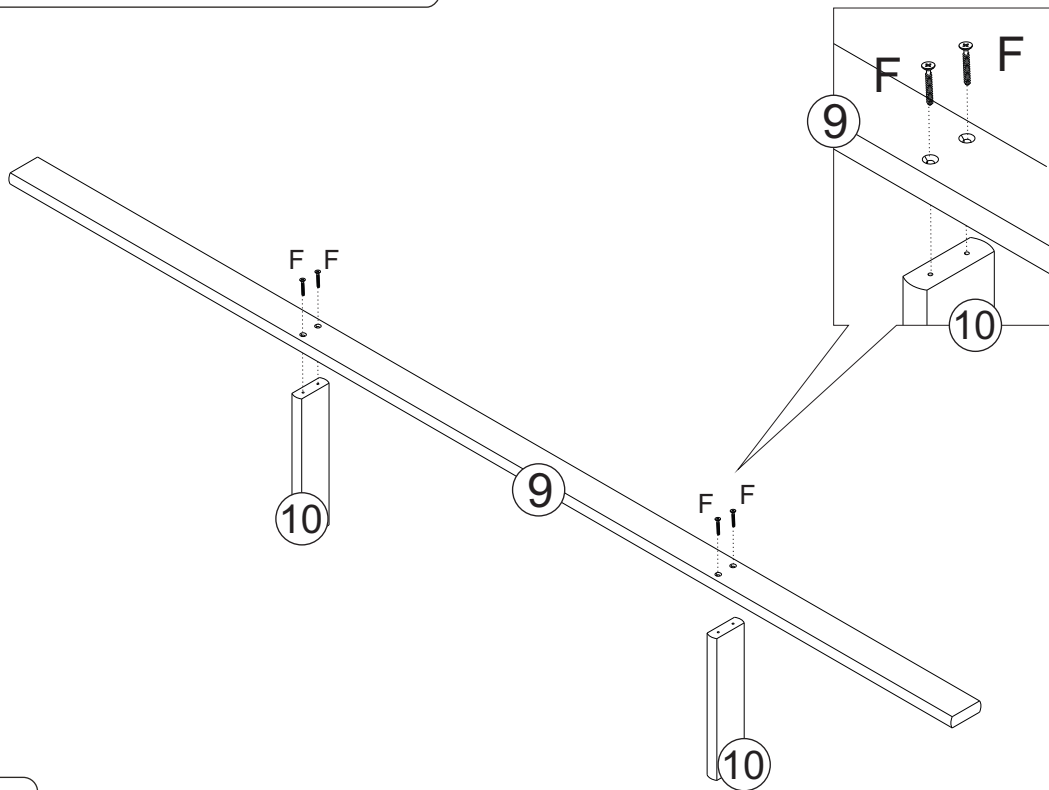
**E**  **08**  
1/4



**I**  **01**

# 06

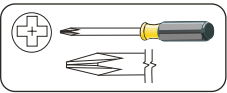
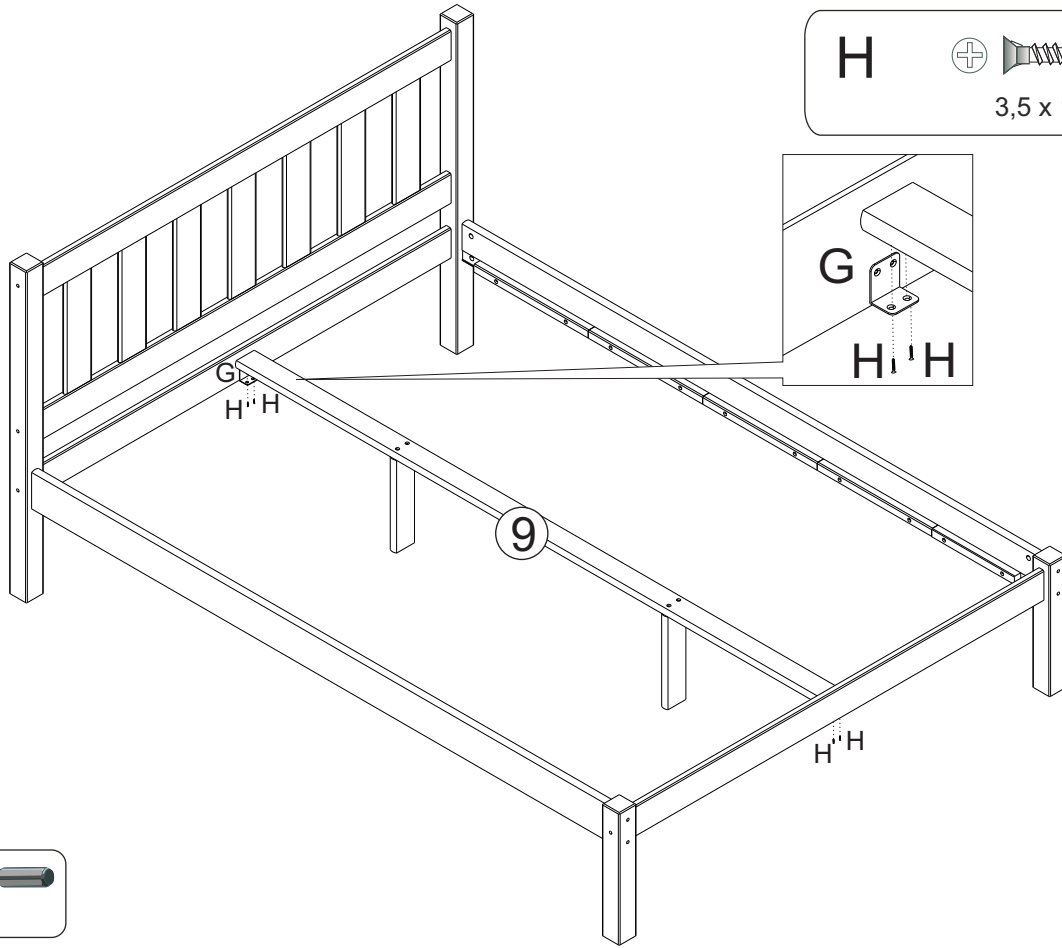
**F**  **04**  
4,0 x 50



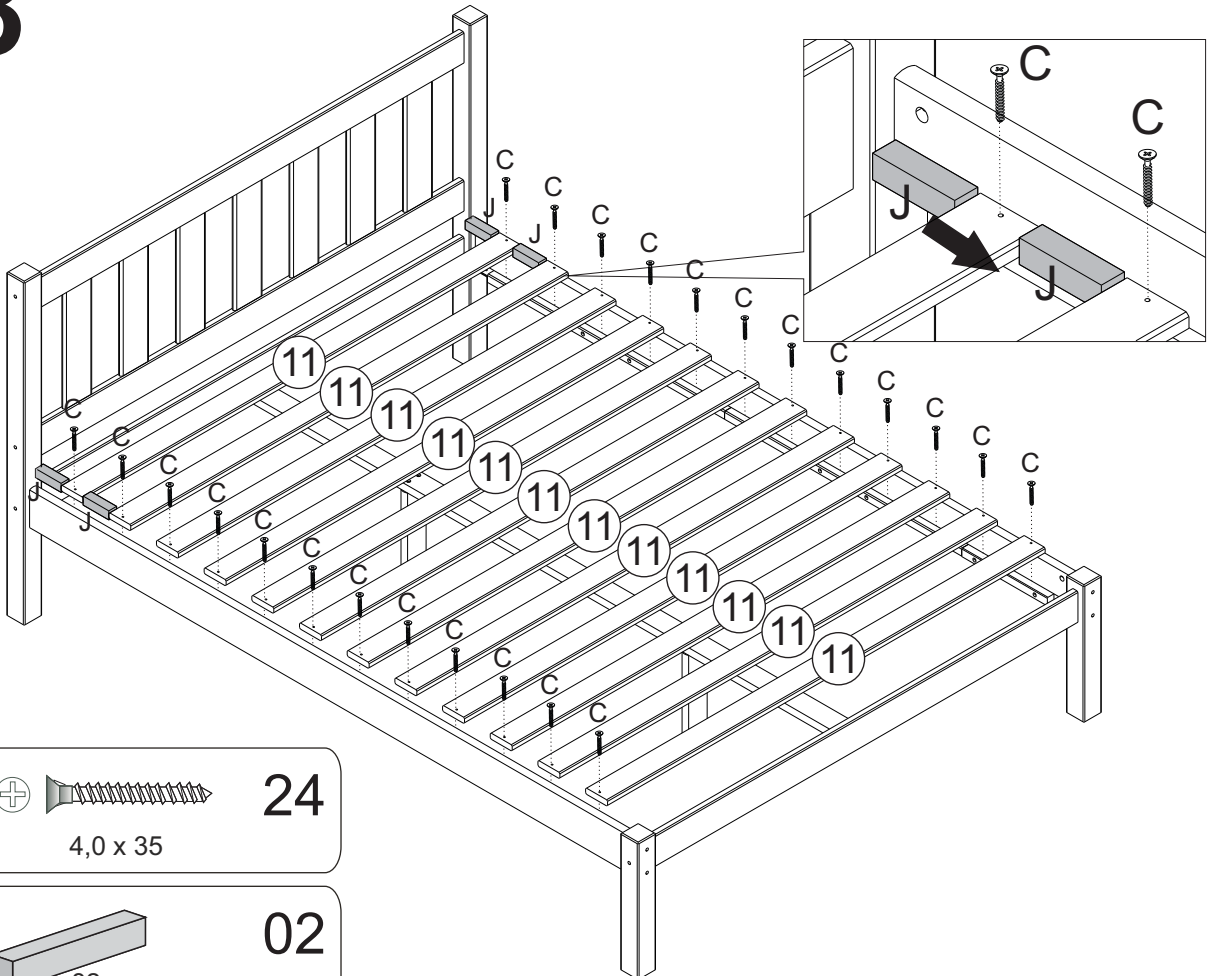
# 07

**H**

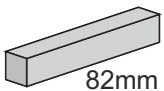
3,5 x 16

**04**

# 08

**C**

4,0 x 35

**24****J**

82mm

**02**