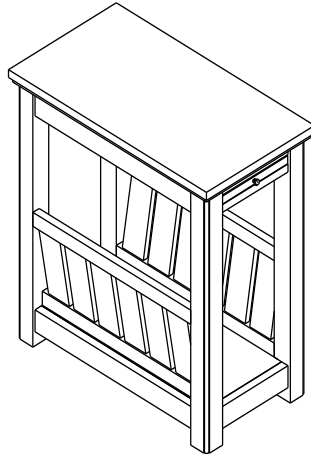


# Alaterre Furniture

## Savannah Magazine End Table



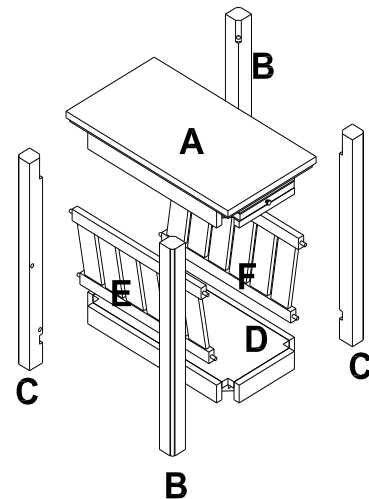
Thank you for purchasing the Savannah Magazine End Table from **ALATERRE FURNITURE**. We have found it helpful to have a second person present during the assembly process.

### Chairside End Table Assembly Instructions

#### Parts

NO.	DRAWING	DESCRIPTION	QTY.
A		TOP	1
B		POST	2
C		POST	2
D		BOTTOM	1
E		SIDE PANEL-L	1
F		SIDE PANEL-R	1

NO.	DRAWING	DESCRIPTION	QTY.
G		M6*45MM BOLT	8
H		WRENCH	1
I		METAL KNOB	1
J		KNOB SCREW	1
K		WOOD DOWEL	8



### Step 1

Read through these instructions thoroughly before beginning assembly. We have found this to be of great value when assembling this product.

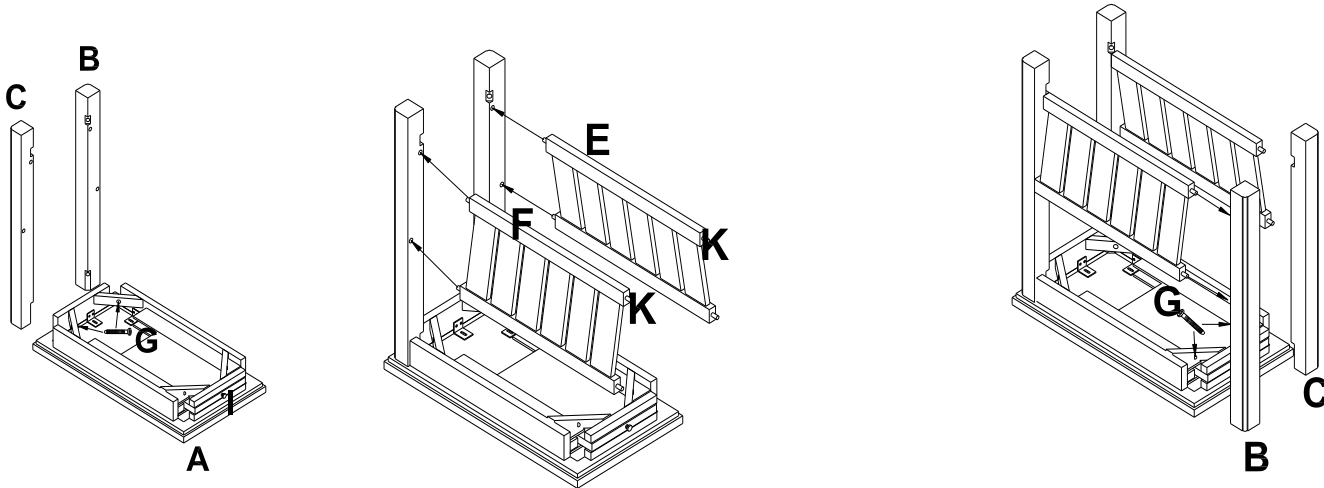
## Step 2

Remove all parts and hardware from packing material. Wooden pieces should be placed on a non abrasive surface to prevent damage to the finish.

---

## Step 3

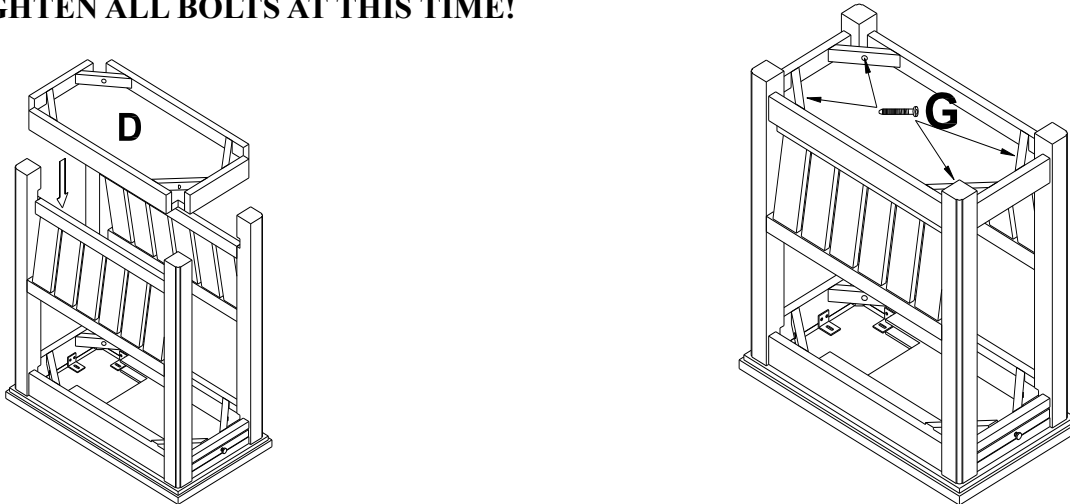
Lay Top Assembly (A) upside down on a non abrasive surface. Attach Posts (C & B) using 2-45MM Hex Bolts (G). Insert 8 Wooden Dowels (K) in to Right & Left Side Panels (E & F). Align the dowels in L & R sides with dowel holes in post (C & B). Attach second set of Posts (C & B) using 2 45MM Hex Bolts (G). **NOTE: Do not tighten Bolts at this time.**



---

## Step 4

Position Bottom (C) between Post (B). Attach Bottom using 4-45MM Hex Bolts (D). **Note: TIGHTEN ALL BOLTS AT THIS TIME!**



---

## CARE

Clean with a non abrasive cloth using a mild soap. Make sure to wipe dry.

---

## REPLACEMENT PARTS:

For best service, to order replacement parts go to [www.alaterrefurniture.com](http://www.alaterrefurniture.com). Use the order form on the web site to order your replacement parts. **Thank You!**

